

REVISIONS				
PART REV.	DOC REV.	DESCRIPTIONS	DATE	APPROVED
A	A	INITIAL PRODUCTION RELEASE	2/18/81	LDK
A	A1	REVISED PER ECO-332	4-6-81	MH/FV
A	A2	REVISED PER ECO-352	4-21-81	FV
A	A3	REVISED PER ECO-358,373,381,386	6/10/81	MH/FV
B	B	REVISED PER A/W CHANGE (REV. ONLY)	7-9-81	FV
B	B1	REVISED PER ECO-403	7-22-81	FV
B	B2	REVISED PER ECO-418,405	8-14-81	FV
B	B3	REVISED PER ECO 477	1-16-82	FV
B	B4	REVISED PER ECO-425	3-17-82	GDH

4. ALL 1% RESISTORS ARE 1/8W.
 3. Q3 IS AN FPQ3725 QUAD TRANSISTOR PACK.
 2. DIODES ARE IN4150
 1. RESISTORS ARE IN OHMS, ±5%, 1/4W.
- NOTES: UNLESS OTHERWISE SPECIFIED

UNLESS OTHERWISE SPECIFIED
 DIMENSIONS ARE IN INCHES
 TOLERANCES ARE:
 FRACTIONS DECIMALS ANGLES
 ± .005 ± .001 ± .005

POINT DATA CORPORATION
 Irvine, California 92714

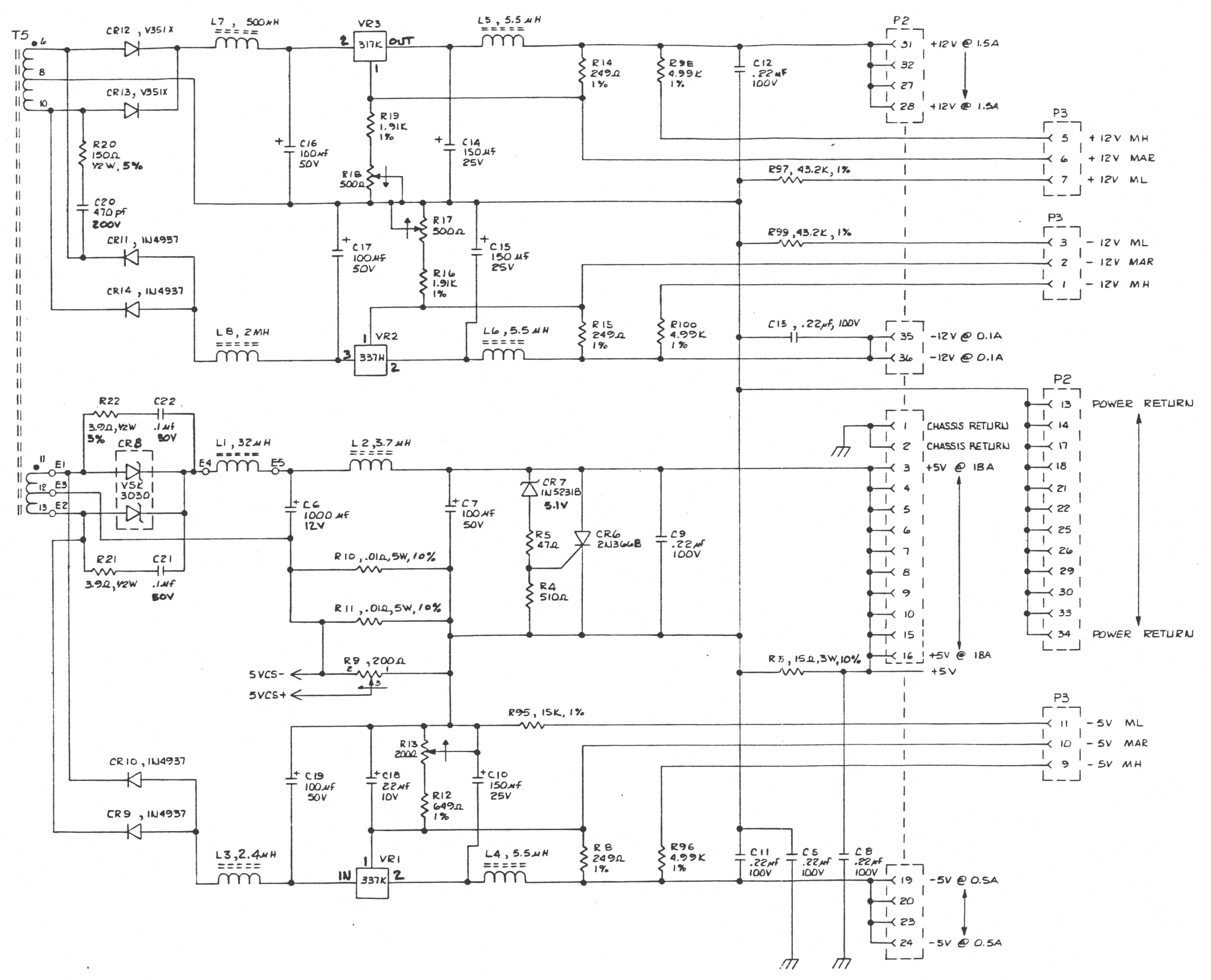
**SCHEMATIC
 POWER SUPPLY BOARD
 MARK III POWER SUPPLY**

APPROVALS	DATE
DRAWN E.C.	12-15-80
CHECKED JOE E. GORDON	2-12-81
PRODUCTION	2-16-81

SIZE	NEXT ASSEMBLY	DRAWING NO.	REV.
D	24103	24104	B4

SCALE: DO NOT SCALE DRAWING SHEET 1 OF 3

PART REV.		DOC REV.		REVISIONS	DATE	APPROVED



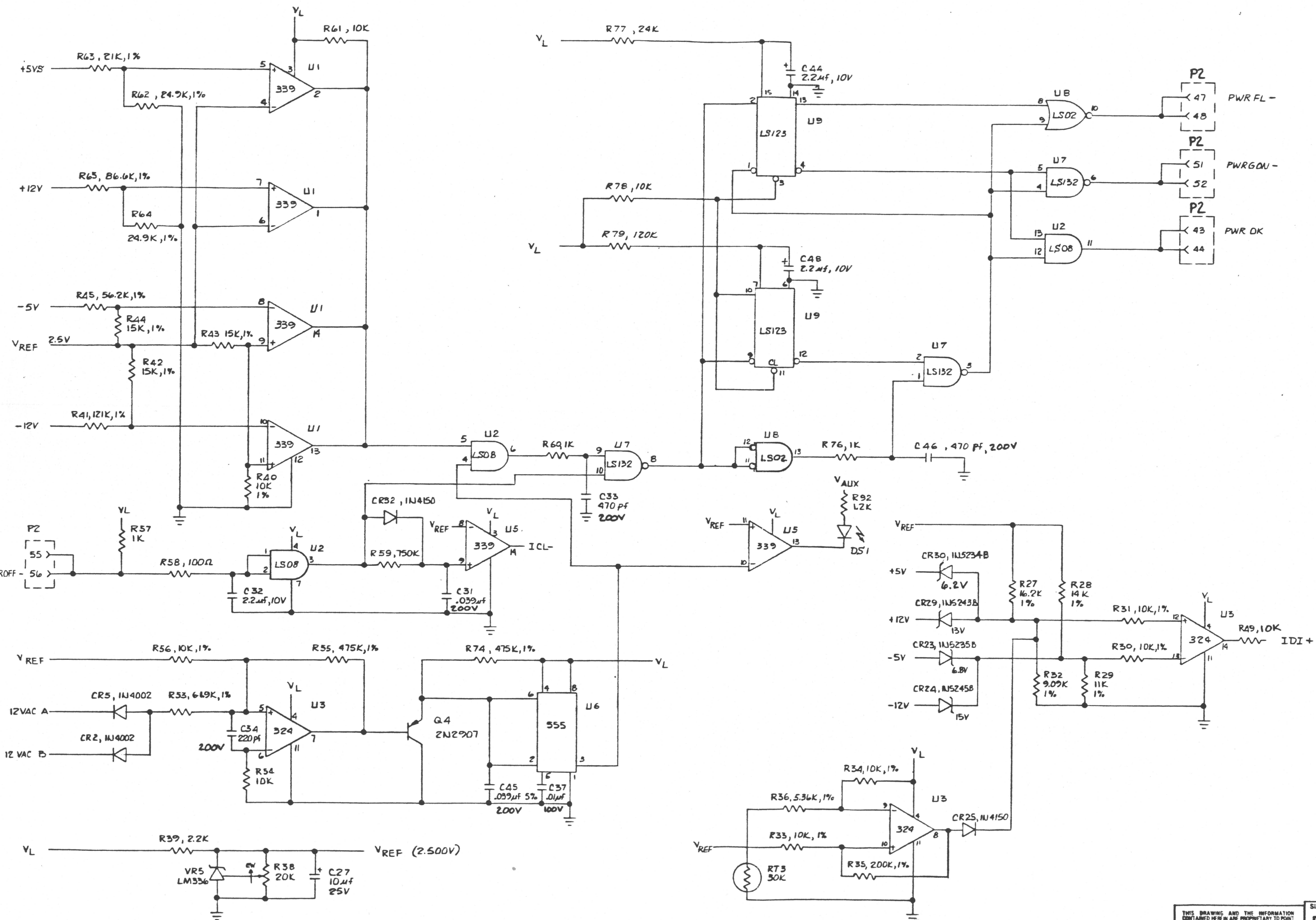
D
C
B
A

NOTES: UNLESS OTHERWISE SPECIFIED

THIS DRAWING AND THE INFORMATION CONTAINED HEREIN ARE PROPRIETARY TO POINT 4 DATA CORPORATION AND SHALL NOT BE REPRODUCED, COPIED, USED OR DISCLOSED TO OTHERS WITHOUT THE PRIOR WRITTEN CONSENT OF POINT 4 DATA CORPORATION.	SIZE	NEXT ASSEMBLY	DRAWING NO.	REV
	D	—	24104	BA
SCALE	DO NOT SCALE DRAWING		SHEET 2 OF 3	

REVISIONS				
PART REV	DOC REV	DESCRIPTIONS	DATE	APPROVED

D
C
B
A



NOTES: UNLESS OTHERWISE SPECIFIED

THIS DRAWING AND THE INFORMATION CONTAINED HEREIN ARE PROPRIETARY TO POINT 4 DATA CORPORATION AND SHALL NOT BE REPRODUCED, COPIED, USED, OR DISCLOSED TO OTHERS WITHOUT THE PRIOR WRITTEN CONSENT OF POINT 4 DATA CORPORATION.	SIZE	NEXT ASSEMBLY	DRAWING NO	REV
	D		24104	B
SCALE	DO NOT SCALE DRAWING		SHEET 3 OF 5	