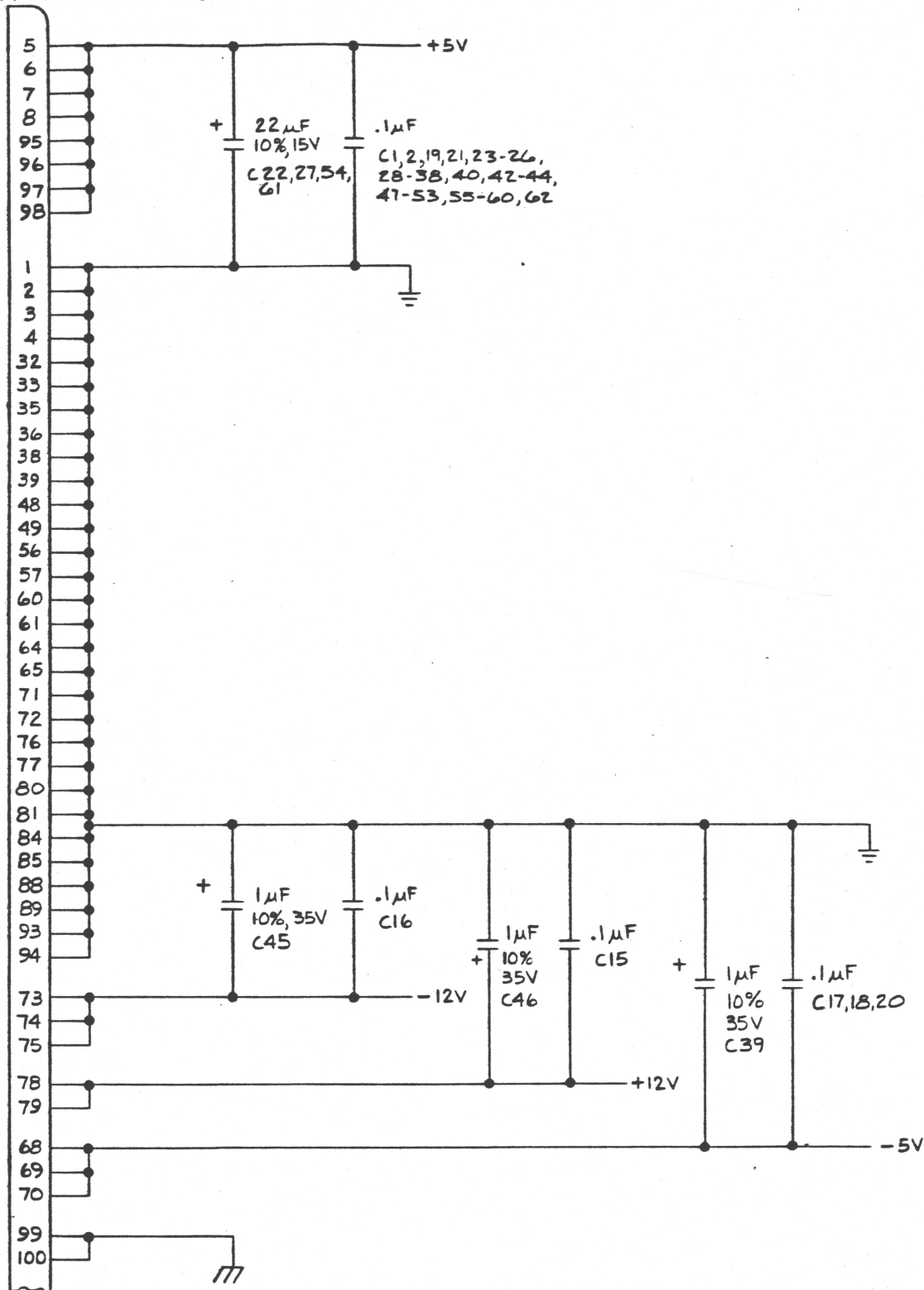


PI - EDGE CONNECTOR



REVISIONS				
PART REV.	DOC REV.	DESCRIPTIONS	DATE	APPROVED
A	A	INITIAL PRODUCTION RELEASE	3/13/81	<i>[Signature]</i>
A	A1	REVISED PER ECO- 380, 382, 383	6-18-81	FV
A	A2	REVISED PER ECO- 391, 392, 393	6-29-81	FV
B	B	REVISED PER ECO- 404	8-4-81	FV
C	C	REVISED TO REFLECT BOARD REV CHANGE TO "C"	10-23-81	FV
D	D	REVISED PER ECO-511	3-26-82	<i>[Signature]</i>

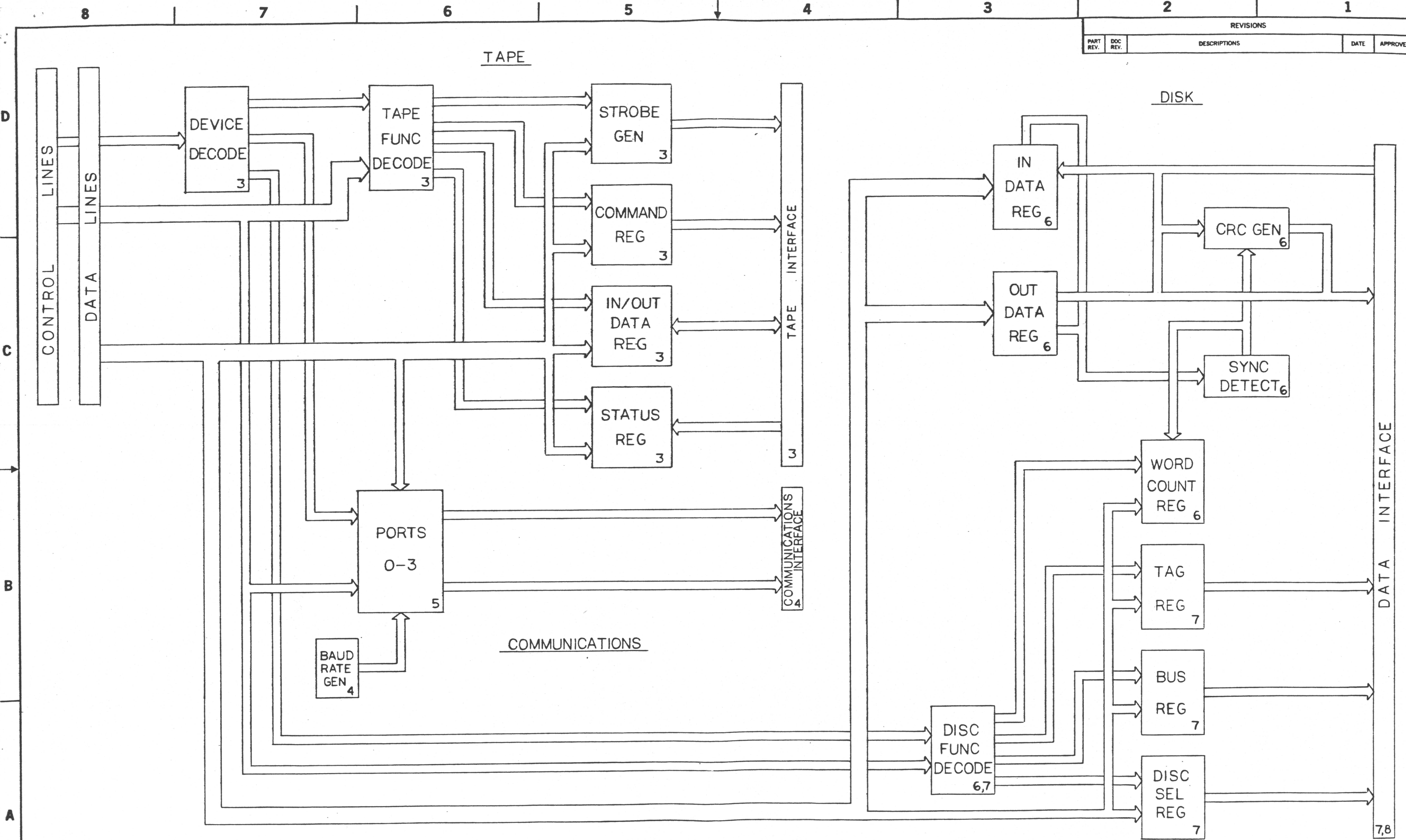
UNUSED GATES			
REF	TYPE	PIN NUMBER	
		IN	OUT
11A	74S00	1, 2	3
9A	74S02	5, 6	4
10B	74S04	5, 13	6, 12
17D	74S04	3, 5	4, 6
17C	74S08	4, 5	6
11D	74S11	1, 2, 13	12
10A	74S74	1, 2, 3, 4	5, 6
15A	74LS139	13, 14, 15	9, 10, 11, 12

- 7. UNUSED IC LOCATIONS - 7E, ZF, 11B, 12B, 16A
- 6. LAST REFERENCE DESIGNATOR USED:
  - A. CAPACITORS - C62
  - B. DIODES - CR1
  - C. RESISTORS - R7
- 5. ALL CAPACITORS ARE IN PICO FARADS.
- 4. ALL RESISTORS ARE IN OHMS, 1/4 W, 5%.
- 3. FOR PARTS LIST SEE DWG. 21002
- 2. FOR ASSEMBLY SEE DWG. 21003
- 1. FOR P.C. BOARD DETAIL SEE DWG. 21000

NOTES: UNLESS OTHERWISE SPECIFIED

UNLESS OTHERWISE SPECIFIED DIMENSIONS ARE IN INCHES TOLERANCES ARE:		<b>POINT DATA CORPORATION</b> Irvine, California 92714			
FRACTIONS ±	DECIMALS XX ±			ANGLES XXX ±	
APPROVALS	DATE	SCHEMATIC DIAGRAM - PERIPHERAL INTERFACE BOARD MARK 3			
DRAWN <i>D. Brooks</i>	12-18-80				
CHECKED JOE BARALTA	3-2-81				
PRODUCTION <i>R. Reed</i>	3-6-81	SIZE	NEXT ASSEMBLY	DRAWING NO.	REV
THIS DRAWING AND THE INFORMATION CONTAINED HEREIN ARE PROPRIETARY TO POINT DATA CORPORATION AND SHALL NOT BE REPRODUCED, COPIED, USED OR DISCLOSED TO OTHERS WITHOUT THE PRIOR WRITTEN CONSENT OF POINT DATA CORPORATION.		D	21003	21004	D
SCALE		DO NOT SCALE DRAWING		SHEET 1 OF 9	

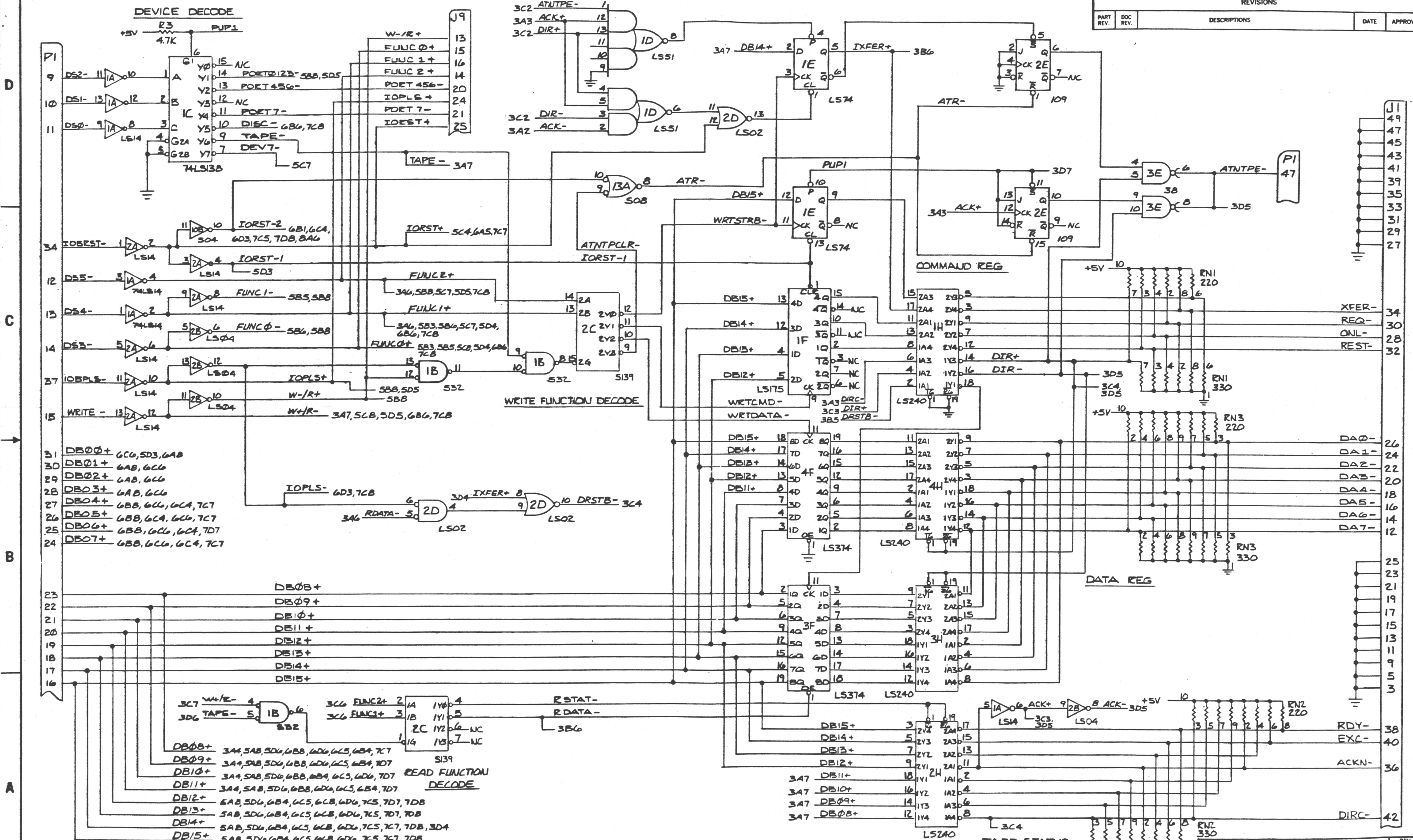
REVISIONS				
PART REV.	DOC REV.	DESCRIPTIONS	DATE	APPROVED



NOTES: UNLESS OTHERWISE SPECIFIED

THIS DRAWING AND THE INFORMATION CONTAINED HEREIN ARE PROPRIETARY TO POINT 4 DATA CORPORATION AND SHALL NOT BE REPRODUCED, COPIED, USED OR DISCLOSED TO OTHERS WITHOUT THE PRIOR WRITTEN CONSENT OF POINT 4 DATA CORPORATION.			
SIZE	NEXT ASSEMBLY	DRAWING NO.	REV.
D	21003	21004	D
SCALE	DO NOT SCALE DRAWING		SHEET 2 OF 9

REVISIONS				
PART REV.	DOC REV.	DESCRIPTIONS	DATE	APPROVED



- 31 DB00+ 6C6, 5D3, 6A8
- 30 DB01+ 6A8, 6C6
- 29 DB02+ 6A8, 6C6
- 28 DB03+ 6A8, 6C6
- 27 DB04+ 6B8, 6C4, 6C4, 7C7
- 26 DB05+ 6B8, 6C4, 6C6, 7C7
- 25 DB06+ 6B8, 6C6, 6C4, 7D7
- 24 DB07+ 6B8, 6C6, 6C4, 7C7

- DB08+ 3A4, 5A8, 5D6, 6B8, 6D6, 6C5, 6B4, 7C7
- DB09+ 3A4, 5A8, 5D6, 6B8, 6D6, 6C5, 6B4, 7D7
- DB10+ 3A4, 5A8, 5D6, 6B8, 6B4, 6C5, 6D6, 7D7
- DB11+ 3A4, 5A8, 5D6, 6B8, 6D6, 6C5, 6B4, 7D7
- DB12+ 6A8, 5D6, 6B4, 6C5, 6C8, 6D6, 7C5, 7D7, 7D8
- DB13+ 5A8, 5D6, 6B4, 6C5, 6C8, 6D6, 7C5, 7D7, 7D8
- DB14+ 5A8, 5D6, 6B4, 6C5, 6C8, 6D6, 7C5, 7C7, 7D8, 3D4
- DB15+ 5A8, 5D6, 6B4, 6C5, 6C8, 6D6, 7C5, 7C7, 7D8

THIS DRAWING AND THE INFORMATION CONTAINED HEREIN ARE PROPRIETARY TO POINT 4 DATA CORPORATION AND SHALL NOT BE REPRODUCED, COPIED, USED OR DISCLOSED TO OTHERS WITHOUT THE PRIOR WRITTEN CONSENT OF POINT 4 DATA CORPORATION.

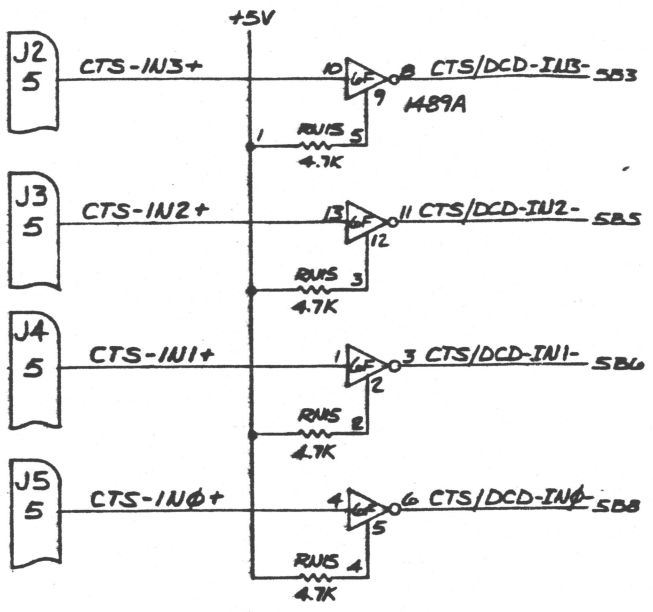
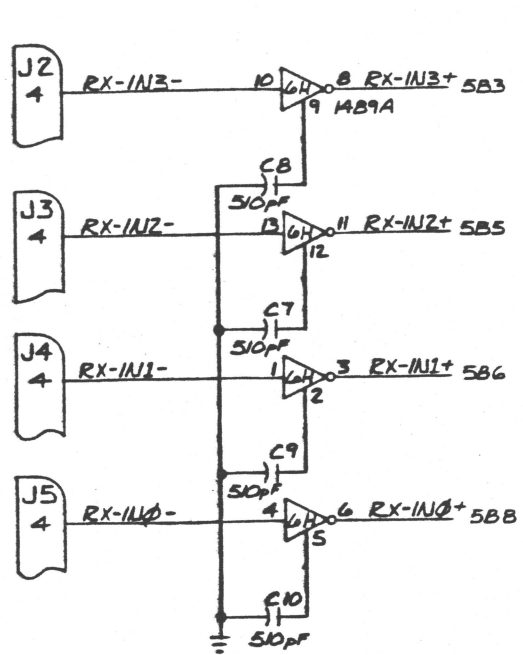
NOTES: UNLESS OTHERWISE SPECIFIED

SIZE	NEXT ASSEMBLY	DRAWING NO.	REV
D	21003	21004	D
SCALE	DO NOT SCALE DRAWING		SHEET 3 OF 9

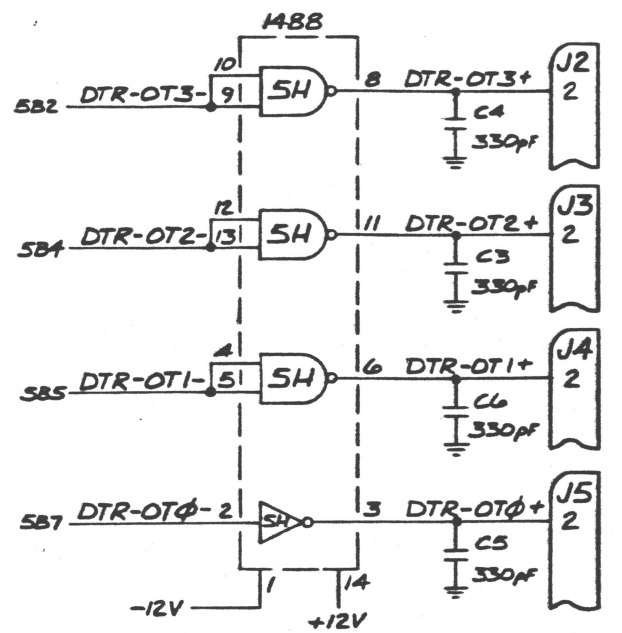
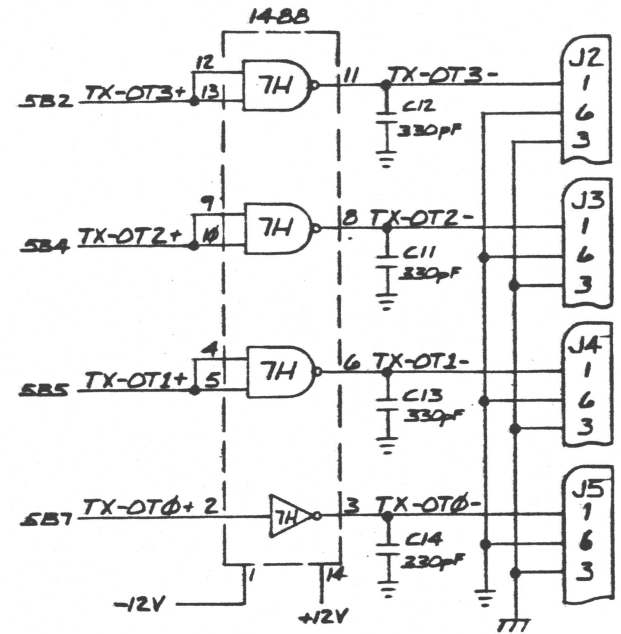


REVISIONS				
PART REV.	DOC REV.	DESCRIPTIONS	DATE	APPROVED

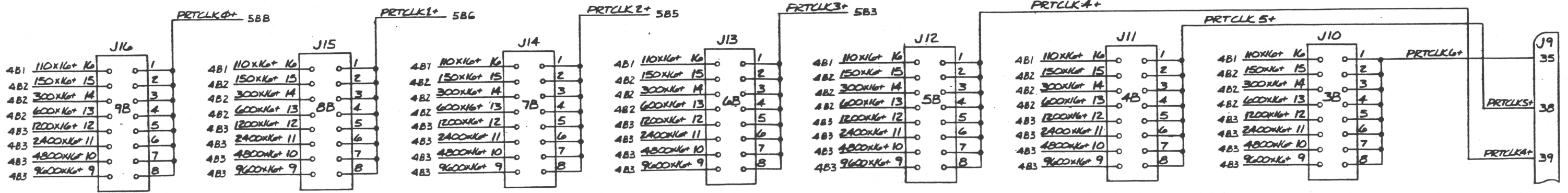
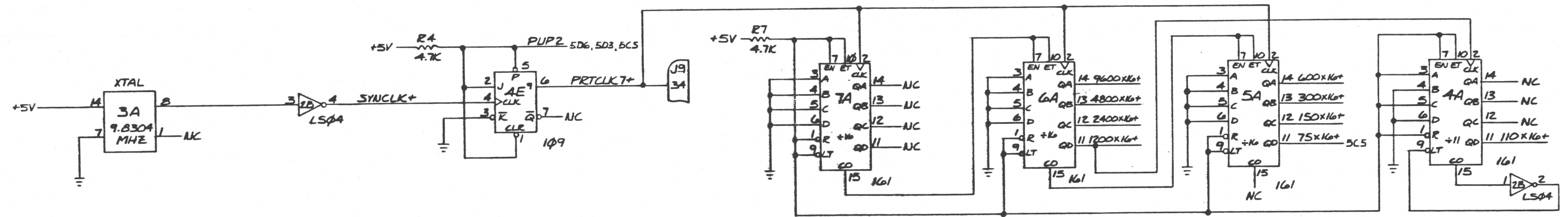
LINE RECEIVERS



LINE DRIVERS



BAUD RATE GENERATOR



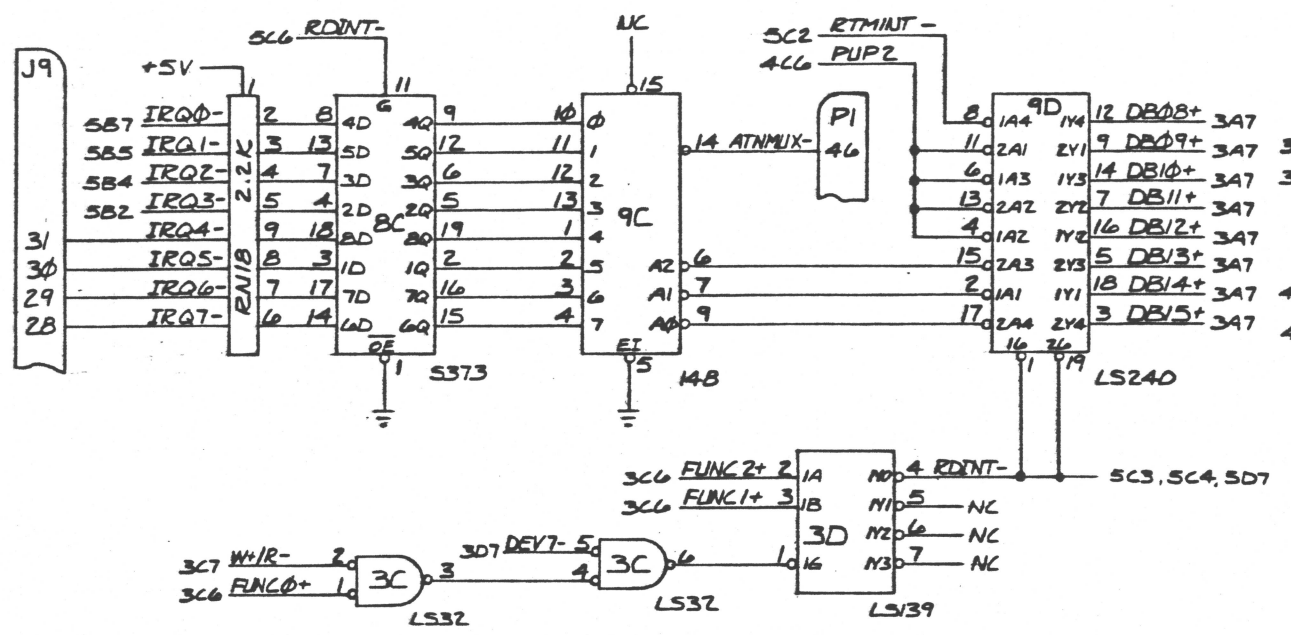
NOTES: UNLESS OTHERWISE SPECIFIED

THIS DRAWING AND THE INFORMATION CONTAINED HEREIN ARE PROPRIETARY TO POINT 4 DATA CORPORATION AND SHALL NOT BE REPRODUCED, COPIED, USED, OR DISCLOSED TO OTHERS WITHOUT THE PRIOR WRITTEN CONSENT OF POINT 4 DATA CORPORATION.	SIZE	NEXT ASSEMBLY	DRAWING NO	REV
D	21003	21004	D	D
SCALE	DO NOT SCALE DRAWING	SHEET 4 OF 9		

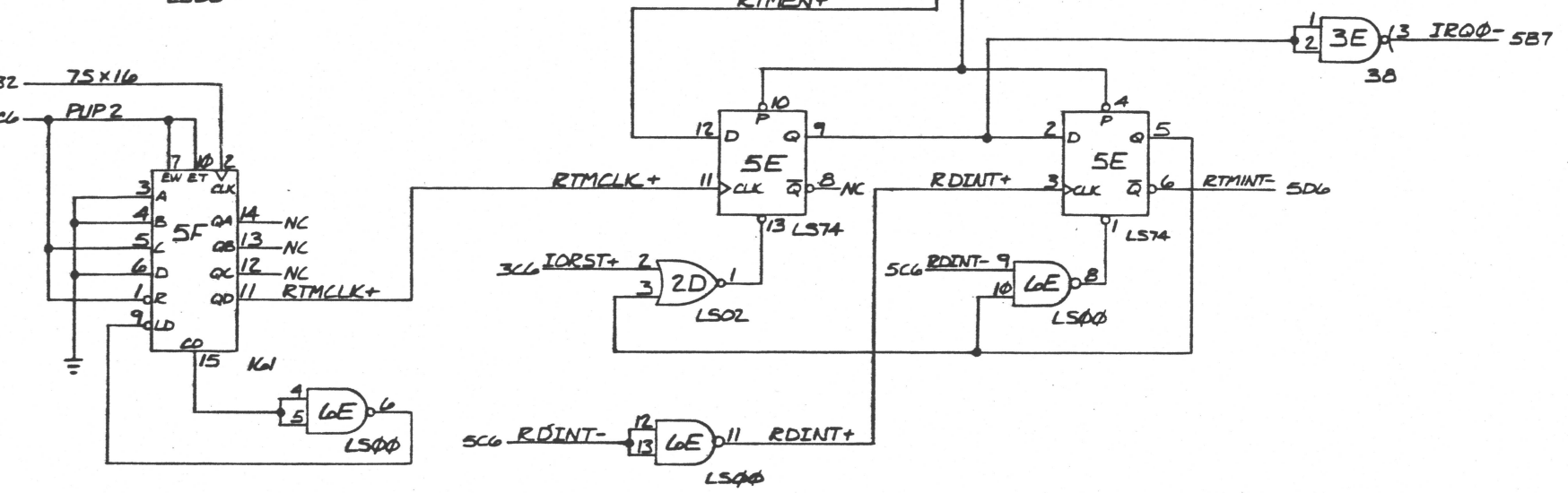


REVISIONS			
PART REV.	DOC REV.	DESCRIPTIONS	DATE

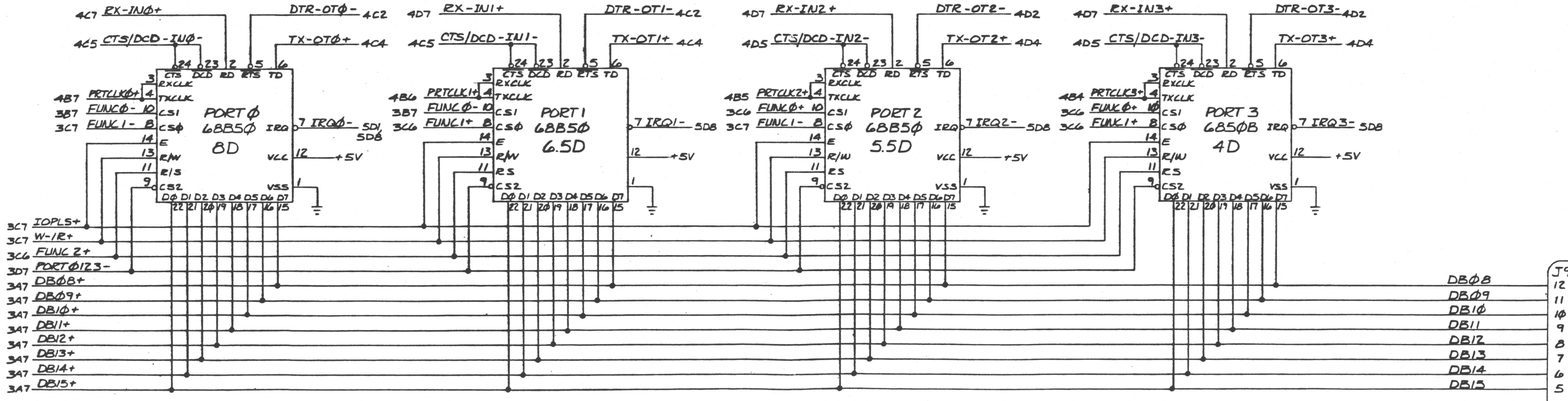
**INTERRUPT PRIORITY**



**REAL TIME CLOCK**



**COMMUNICATION PORTS**

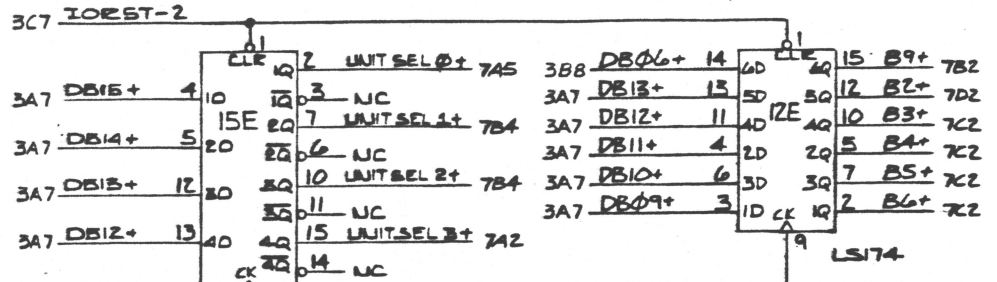


NOTES: UNLESS OTHERWISE SPECIFIED

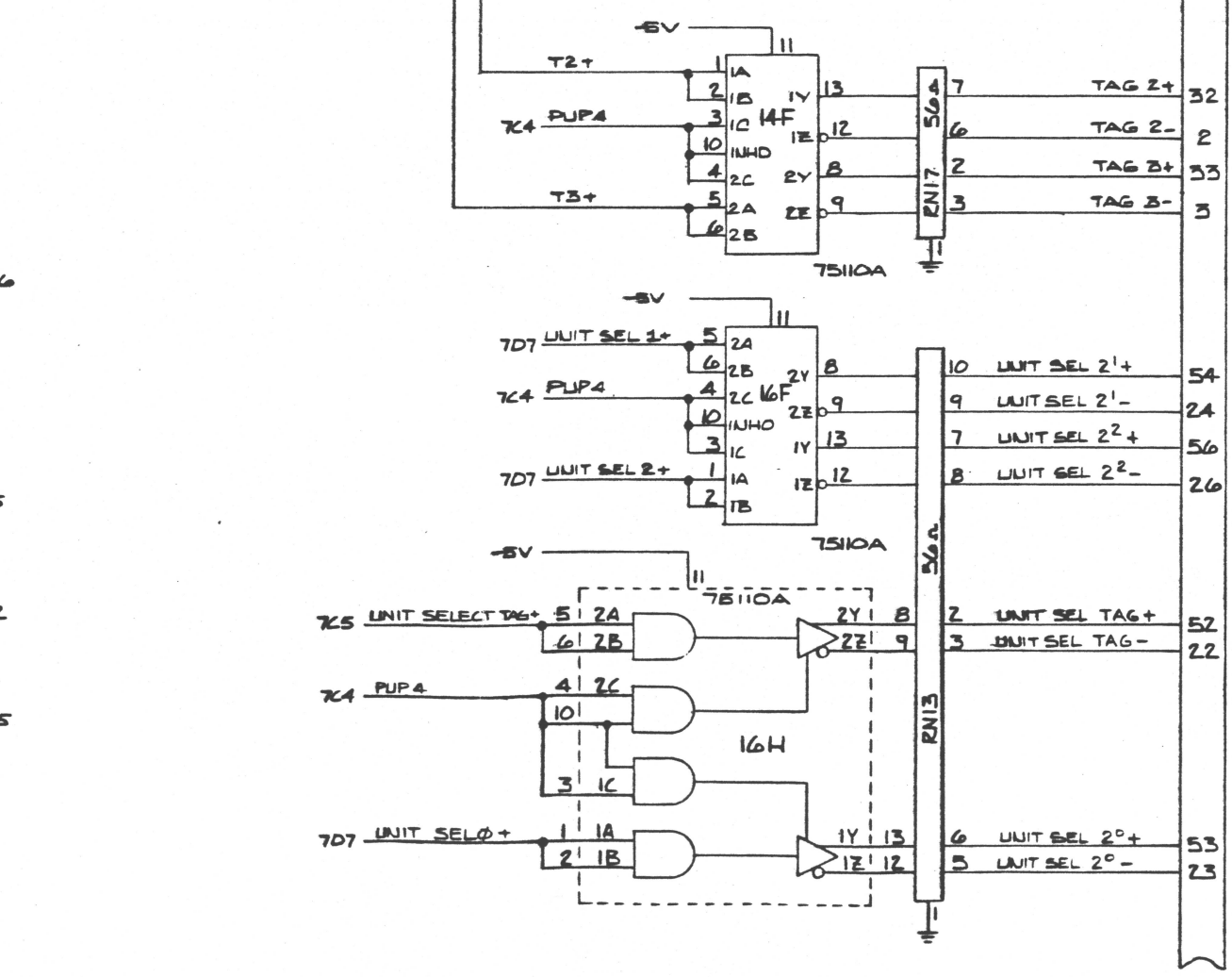
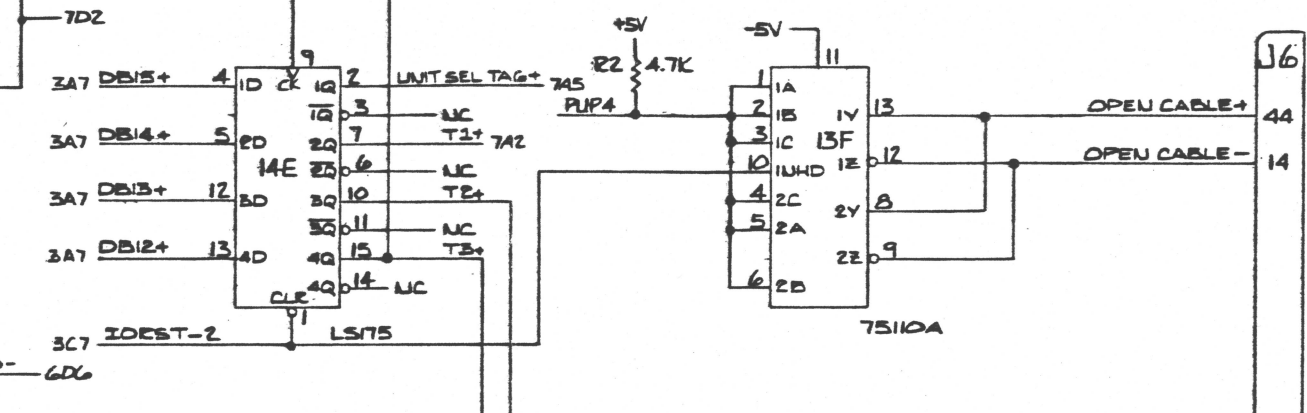
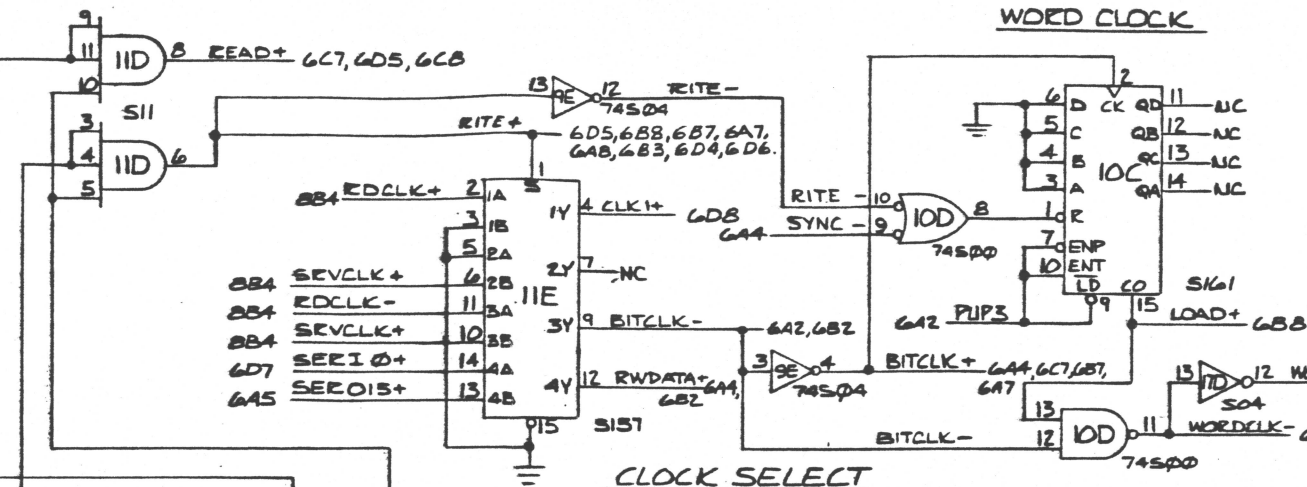
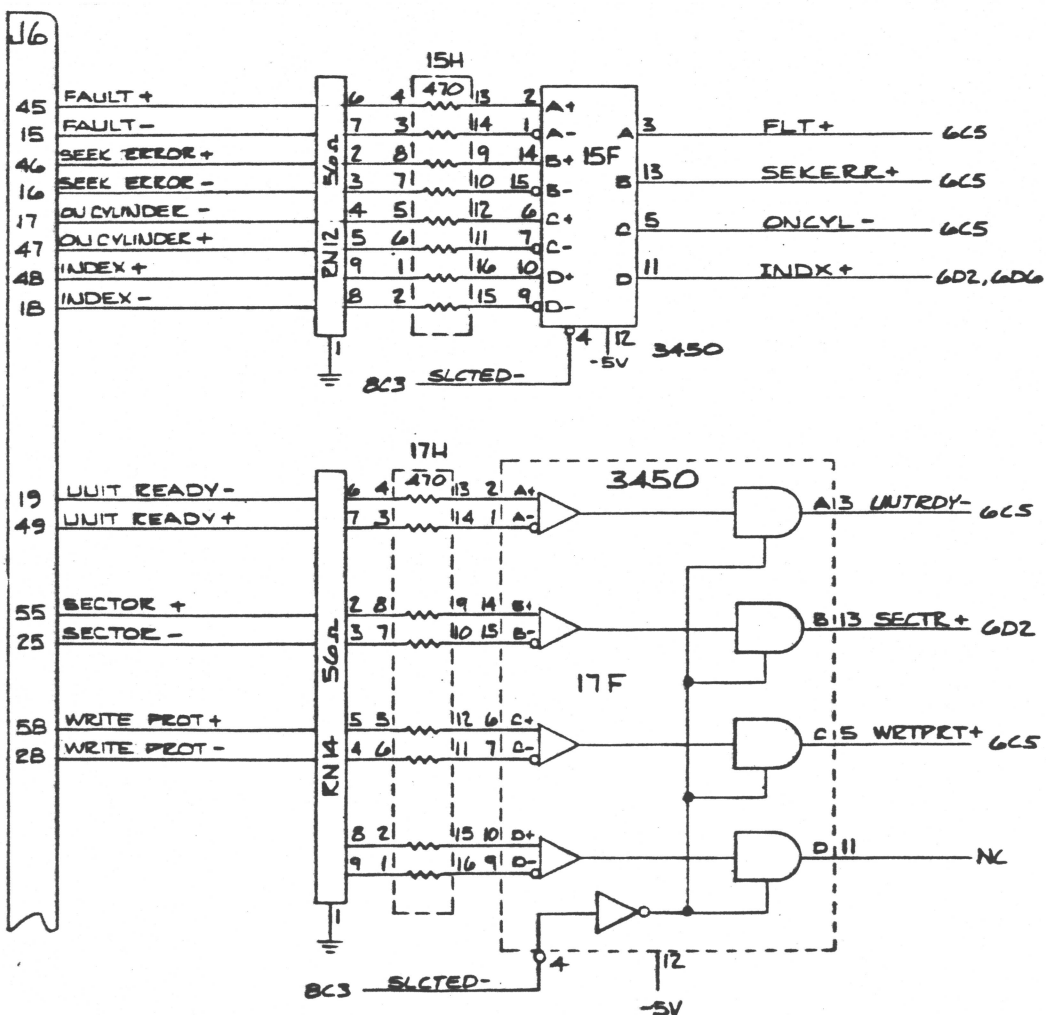
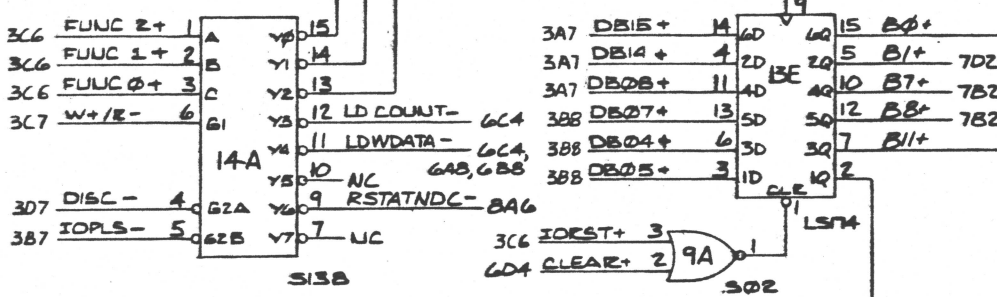
THIS DRAWING AND THE INFORMATION CONTAINED HEREIN ARE PROPRIETARY TO POINT 4 DATA CORPORATION AND SHALL NOT BE REPRODUCED, COPIED, USED, OR DISCLOSED TO OTHERS WITHOUT THE PRIOR WRITTEN CONSENT OF POINT 4 DATA CORPORATION.	SIZE D	NEXT ASSEMBLY 21003	DRAWING NO. 21004	REV D
SCALE	DO NOT SCALE DRAWING	SHEET 5 OF 9		



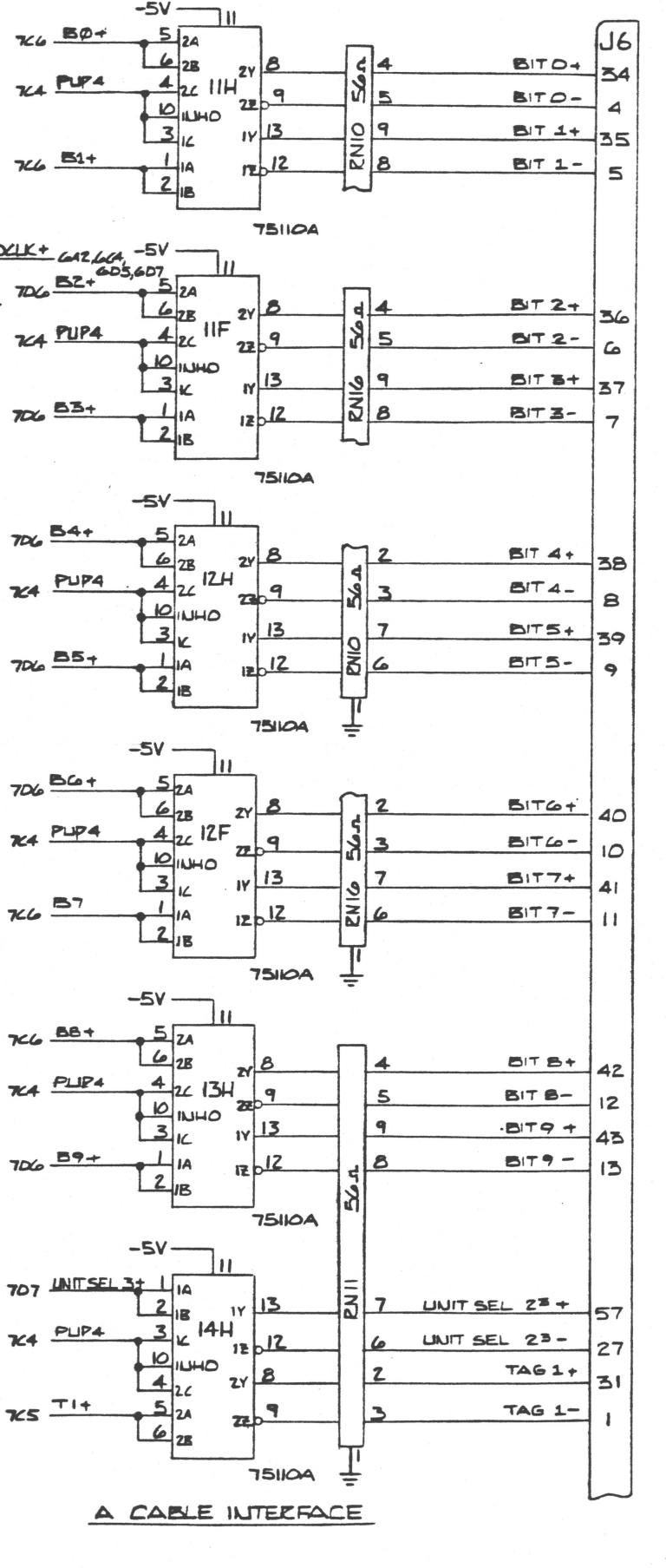
COMMAND REGS



WRITE FUNCTION DECODE



REVISIONS				
PART REV	DOC REV	DESCRIPTIONS	DATE	APPROVED

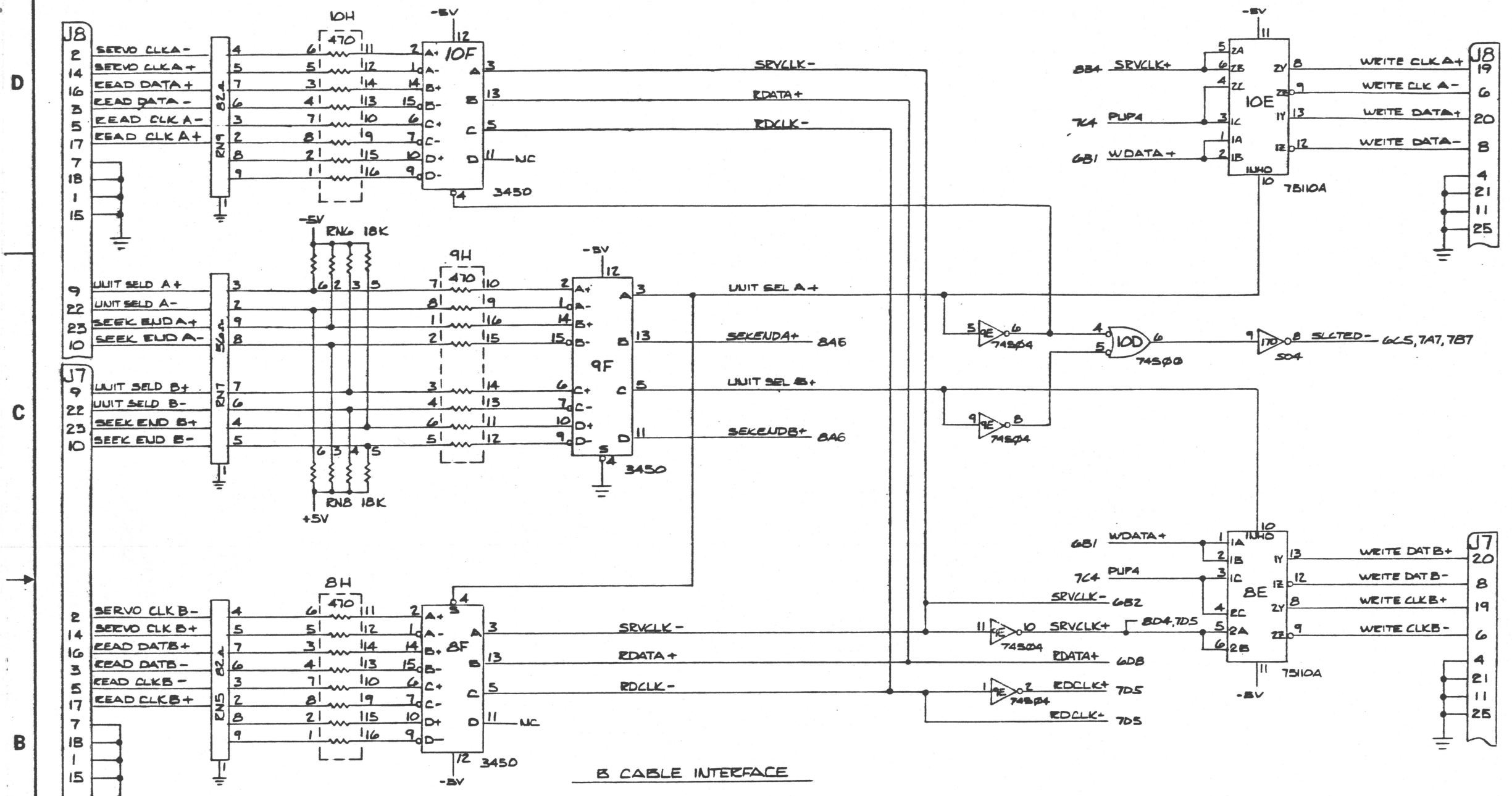


THIS DRAWING AND THE INFORMATION CONTAINED HEREIN ARE PROPRIETARY TO POINT & DATA CORPORATION AND SHALL NOT BE REPRODUCED, COPIED, USED OR DISCLOSED TO OTHERS WITHOUT THE PRIOR WRITTEN CONSENT OF POINT & DATA CORPORATION.	SIZE <b>D</b>	NEXT ASSEMBLY <b>21003</b>	DRAWING NO. <b>21004</b>	REV <b>D</b>
SCALE	DO NOT SCALE DRAWING		SHEET 7 OF 9	

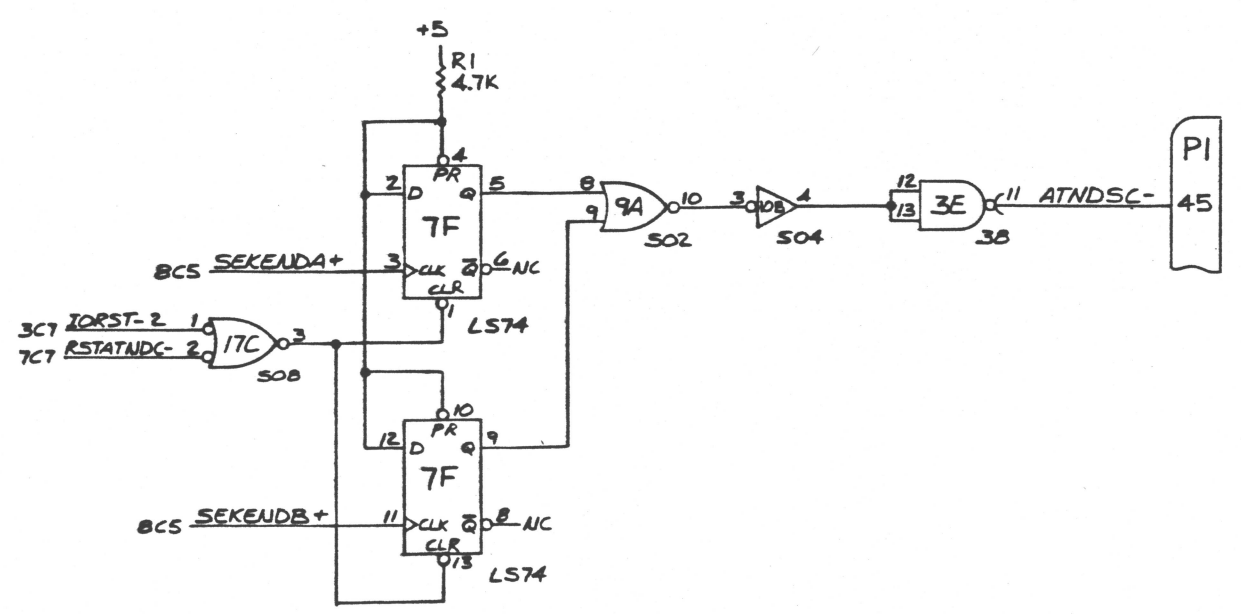
NOTES: UNLESS OTHERWISE SPECIFIED



REVISIONS			
PART REV.	DOC REV.	DESCRIPTIONS	DATE APPROVED



B CABLE INTERFACE



NOTES: UNLESS OTHERWISE SPECIFIED

THIS DRAWING AND THE INFORMATION CONTAINED HEREIN ARE PROPRIETARY TO POINT 4 DATA CORPORATION AND SHALL NOT BE REPRODUCED, COPIED, USED, OR DISCLOSED TO OTHERS WITHOUT THE PRIOR WRITTEN CONSENT OF POINT 4 DATA CORPORATION.	SIZE	NEXT ASSEMBLY	DRAWING NO	REV
D	21003	21004	D	
SCALE	DO NOT SCALE DRAWING	SHEET 8 OF 9		

CARD EDGE CONNECTOR

PI TOP			PI BOTTOM		
PIN	SIGNAL	DIRECT	PIN	SIGNAL	DIRECT
1	GND	IN	2	GND	IN
3	GND	IN	4	GND	IN
5	+5V	IN	6	+5V	IN
7	+5V	IN	8	+5V	IN
9	DS2-	IN	10	DS1-	IN
11	DS0-	IN	12	DS5-	IN
13	DS4-	IN	14	DS3-	IN
15	WRITE-	IN	16	DB15+	BI
17	DB14+	BI	18	DB13+	BI
19	DB12+	BI	20	DB11+	BI
21	DB10+	BI	22	DB09+	BI
23	DB08+	BI	24	DB07+	BI
25	DB06+	BI	26	DB05+	BI
27	DB04+	BI	28	DB03+	BI
29	DB02+	BI	30	DB01+	BI
31	DB00+	BI	32	GND	IN
33	GND	IN	34	IOBRST-	IN
35	GND	IN	36	GND	IN
37	IOBPLS	IN	38	GND	IN
39	GND	IN	40	FLAG4-	OUT
41	FLAG3-	OUT	42	FLAG2-	OUT
43	FLAG1-	OUT	44	FLAG0-	OUT
45	ATNDSC-	OUT	46	ATNMUX-	OUT
47	ATNTPE-	OUT	48	GND	IN
49	GND	IN	50		
51			52		
53			54		
55			56	GND	IN
57	GND	IN	58		
59			60	GND	IN
61	GND	IN	62		
63			64	GND	IN
65	GND	IN	66		
67			68	-5V	IN
69	-5V	IN	70	-5V	IN
71	GND	IN	72	GND	IN
73	-12V	IN	74	-12V	IN
75	-12V	IN	76	GND	IN
77	GND	IN	78	+12V	IN
79	+12V	IN	80	GND	IN
81	GND	IN	82		
83			84	GND	IN
85	GND	IN	86		
87			88	GND	IN
89	GND	IN	90		
91			92		
93	GND	IN	94	GND	IN
95	+5V	IN	96	+5V	IN
97	+5V	IN	98	+5V	IN
99	FR GND	IN	100	FR GND	IN

J1			J6		
PIN	SIGNAL	DIRECT	PIN	SIGNAL	DIRECT
1			1	TAG 1-	OUT
3	GND		2	TAG 2-	OUT
5	GND		3	TAG 3-	OUT
7			4	BIT 0-	OUT
9	GND		5	BIT 1-	OUT
11			6	BIT 2-	OUT
13			7	BIT 3-	OUT
15			8	BIT 4-	OUT
17			9	BIT 5-	OUT
19			10	BIT 6-	OUT
21			11	BIT 7-	OUT
23			12	BIT 8-	OUT
25			13	BIT 9-	OUT
27			14	OPEN CABLE-	OUT
29			15	FAULT-	IN
31			16	SEEK ERROR-	IN
33			17	ON CYLINDER-	IN
35	GND		18	INDEX-	IN
37			19	UNIT READY-	IN
39	GND		20		
41			21		
43			22	UNIT SEL TAG-	OUT
45			23	UNIT SEL 2 <sup>0</sup> -	OUT
47			24	UNIT SEL 2 <sup>1</sup> -	OUT
49	GND		25	SECTOR-	IN
			26	UNIT SEL 2 <sup>2</sup> -	OUT
			27	UNIT SEL 2 <sup>3</sup> -	OUT
			28	WRITE PROT-	IN
			29		
			30		

J9			J6		
PIN	SIGNAL	DIRECT	PIN	SIGNAL	DIRECT
1	GND		1	GND	
3	+5V		2	GND	
5	DB15+	BI	4	+5V	
7	DB13+	BI	6	DB14+	BI
9	DB11+	BI	8	DB12+	BI
11	DB09+	BI	10	DB10+	BI
13	W-/R+	OUT	12	DB08+	BI
15	FUNC 0+	OUT	14	FUNC 2+	OUT
17	GND		16	FUNC 1+	OUT
19	GND		18	GND	
21	PORT 7-	OUT	20	PORT 456-	OUT
23	GND		22	GND	
25	IORST +	OUT	24	IOPLS +	OUT
27	GND		26	GND	
29	IRQ 6 -	IN	28	IRQ 7 -	IN
31	IRQ 4 -	IN	30	IRQ 5 -	IN
33	GND		32	GND	
35	PRTCLK 6+	OUT	34	PRTCLK 7+	OUT
37	GND		36	GND	
39	PRTCLK 4+	OUT	38	PRT CLK 5+	OUT
41	+5V		40	+5V	
43	GND		42	GND	
45	-12V		44	-12V	
47	GND		46	GND	
49	FR GND		48	+12V	
			50	FR GND	

J6			J7		
PIN	SIGNAL	DIRECT	PIN	SIGNAL	DIRECT
1	TAG 1-	OUT	1	GND	
2	TAG 2-	OUT	2	SERVO CLK B-	IN
3	TAG 3-	OUT	3	READ DAT B-	IN
4	BIT 0-	OUT	4	GND	
5	BIT 1-	OUT	5	READ CLK B-	IN
6	BIT 2-	OUT	6	WRITE CLK B-	OUT
7	BIT 3-	OUT	7	GND	
8	BIT 4-	OUT	8	WRITE DAT B-	OUT
9	BIT 5-	OUT	9	UNIT SEL D B+	IN
10	BIT 6-	OUT	10	SEEK END B-	IN
11	BIT 7-	OUT	11	GND	
12	BIT 8-	OUT	12		
13	BIT 9-	OUT	13		
14	OPEN CABLE-	OUT			
15	FAULT-	IN			
16	SEEK ERROR-	IN			
17	ON CYLINDER-	IN			
18	INDEX-	IN			
19	UNIT READY-	IN			
20					
21					
22	UNIT SEL TAG-	OUT			
23	UNIT SEL 2 <sup>0</sup> -	OUT			
24	UNIT SEL 2 <sup>1</sup> -	OUT			
25	SECTOR-	IN			
26	UNIT SEL 2 <sup>2</sup> -	OUT			
27	UNIT SEL 2 <sup>3</sup> -	OUT			
28	WRITE PROT-	IN			
29					
30					

J7			J2		
PIN	SIGNAL	DIRECT	PIN	SIGNAL	DIRECT
1	GND		14	SERVO CLK B+	IN
2	SERVO CLK B-	IN	15	GND	
3	READ DAT B-	IN	16	READ DAT B+	IN
4	GND		17	READ CLK B+	IN
5	READ CLK B-	IN	18	GND	
6	WRITE CLK B-	OUT	19	WRITE CLK B+	OUT
7	GND		20	WRITE DAT B+	OUT
8	WRITE DAT B-	OUT	21	GND	
9	UNIT SEL D B+	IN	22	UNIT SEL D B-	IN
10	SEEK END B-	IN	23	SEEK END B+	IN
11	GND		24		
12			25	GND	
13			26		

J8			J3		
PIN	SIGNAL	DIRECT	PIN	SIGNAL	DIRECT
1	GND		1	TX-OT2-	OUT
2	SERVO CLKA	IN	2	DTR-OT2+	OUT
3	READ DATA-	IN	3	FR GND	
4	GND		4	RX-IN2-	IN
5	READ CLKA-	IN	5	CTS-IN2+	IN
6	WRITE CLKA-	OUT	6	GND	
7	GND				
8	WRITE DATA-	OUT			
9	UNIT SEL D A+	IN			
10	SEEK END A-	IN			
11	GND				
12					
13					

J2		
PIN	SIGNAL	DIRECT
1	TX-OT3-	OUT
2	DTR-OT3+	OUT
3	FR GND	
4	RX-IN3-	IN
5	CTS-IN3+	IN
6	GND	

J3		
PIN	SIGNAL	DIRECT
1	TX-OT2-	OUT
2	DTR-OT2+	OUT
3	FR GND	
4	RX-IN2-	IN
5	CTS-IN2+	IN
6	GND	

J4		
PIN	SIGNAL	DIRECT
1	TX-OT1-	OUT
2	DTR-OT1+	OUT
3	FR GND	
4	RX-IN1-	IN
5	CTS-IN1+	IN
6	GND	

J5		
PIN	SIGNAL	DIRECT
1	TX-OT0-	OUT
2	DTR-OT0+	OUT
3	FR GND	
4	RX-IN0-	IN
5	CTS-IN0+	IN
6	GND	