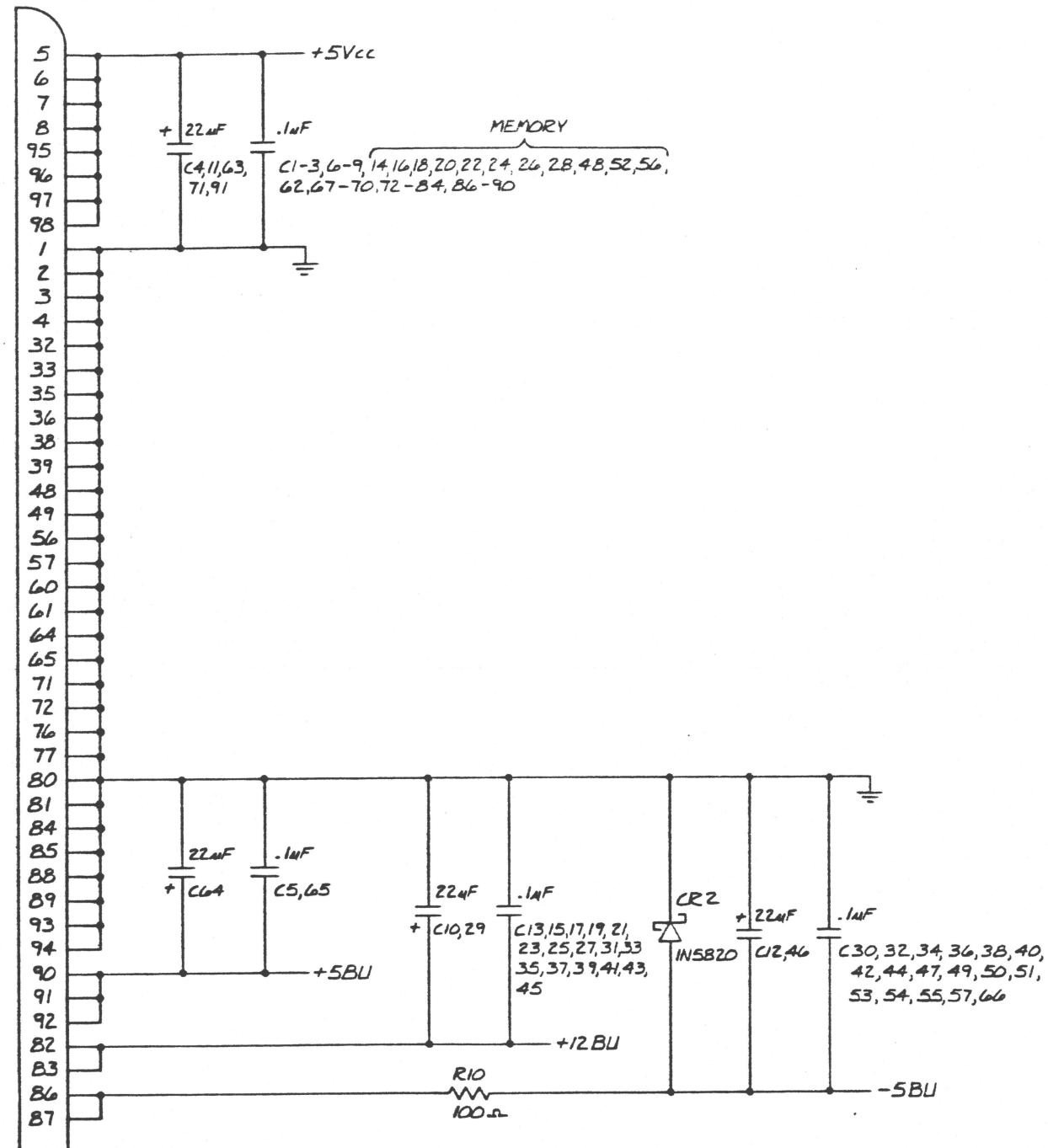


| REVISIONS | | | | |
|-----------|----------|----------------------------|---------|----------|
| PART REV. | DOC REV. | DESCRIPTIONS | DATE | APPROVED |
| A | A | INITIAL PRODUCTION RELEASE | 2-17-81 | AKA |
| B | B | REVISED PER ECO-340 | 4-13-81 | FV |
| B | B1 | REVISED PER ECO-397 | 7-23-81 | FV |
| B | B2 | REVISED PER ECO-465 | 1-11-82 | FV |

P1 - EDGE CONNECTOR



| UNUSED GATES | | | |
|--------------|--------|------------|-----------|
| REF | TYPE | PIN NUMBER | |
| | | IN | OUT |
| 19E | 74505 | 1,9,11,13 | 2,8,10,12 |
| 2E | 74510 | 9,10,11 | 8 |
| 17D | 74586 | 4,5 | 6 |
| 15D | 745253 | | |
| 2F | 745258 | | |

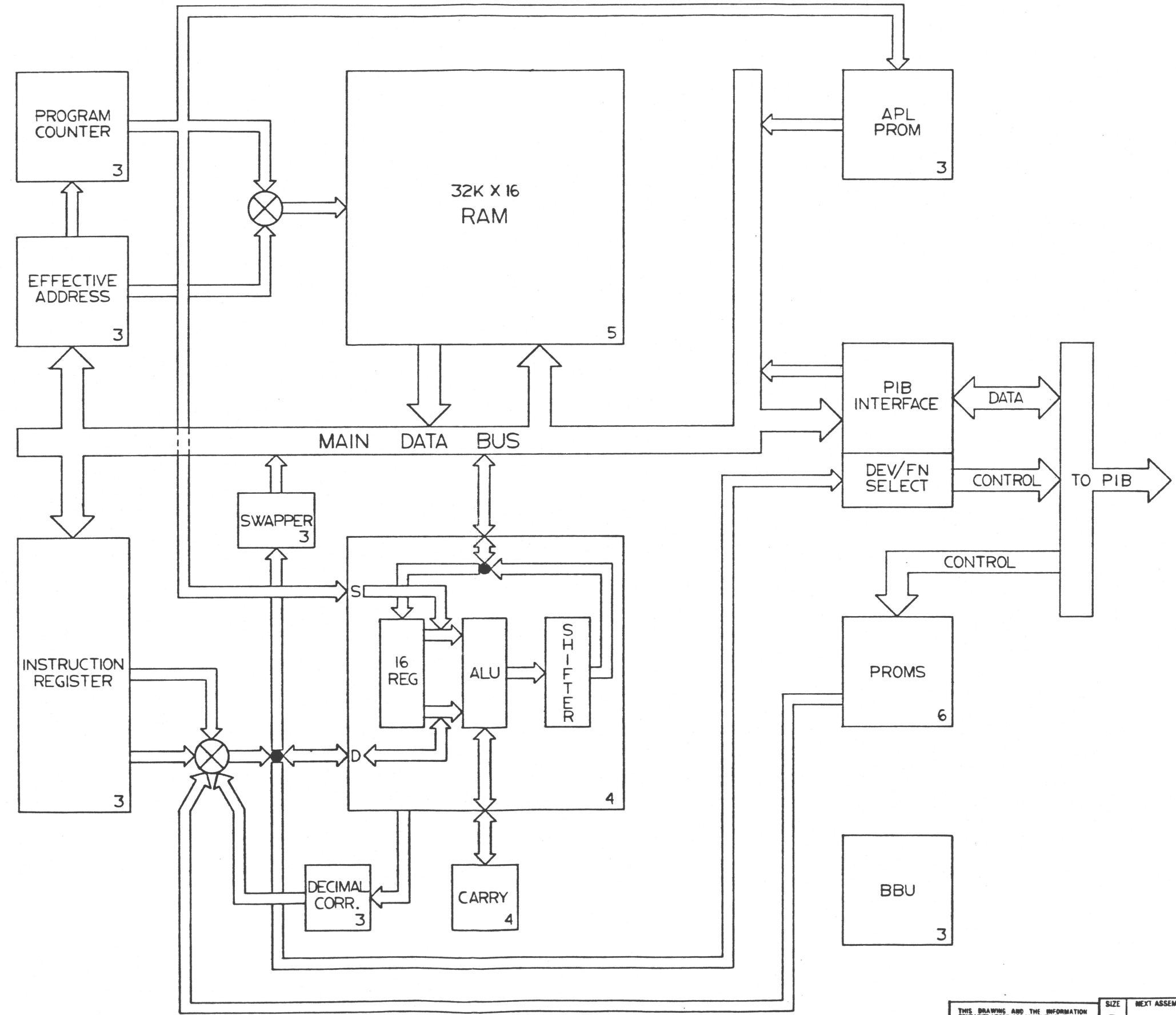
7. UNUSED I. C. LOC. - 1A, 2H,
6. LAST USED REF. DESIGNATORS.
 - A. CAPACITORS - C91
 - B. DIODES - CR2
 - C. RESISTORS - R19
 - D. JUMPERS - WB
5. ALL CAPACITOR VALUES ARE IN PICO FARADS.
4. ALL RESISTOR VALUES ARE IN OHMS, 1/4W, 5%.
3. FOR PARTS LIST SEE DWG. NO. 20002A.
2. FOR ASSY SEE DWG. NO. 20003A.
1. FOR P.C. BOARD DETAIL SEE DWG. NO. 20000A.

NOTES: UNLESS OTHERWISE SPECIFIED

| | | | |
|---|---------------------|---|--------|
| UNLESS OTHERWISE SPECIFIED DIMENSIONS ARE IN INCHES TOLERANCES ARE: FRACTIONS DECIMALS ANGLES ± .005 ± .005 ± | | Irvine, California 92714 | |
| APPROVALS _____ DATE _____ DRAWN Brooks 12-1-80 CHECKED Joe Paralyri 2-12-81 PRODUCTION 2/14/81 | | Schematic Diagram MARK 3/4 (PLUBD). POINT 4 | |
| SIZE D | NEXT ASSEMBLY 20003 | DRAWING NO. 20004 | REV B2 |
| SCALE _____ | | DO NOT SCALE DRAWING SHEET 1 OF 7 | |

| REVISIONS | | | | |
|-----------|----------|--------------|------|----------|
| PART REV. | DOC REV. | DESCRIPTIONS | DATE | APPROVED |
| | | | | |

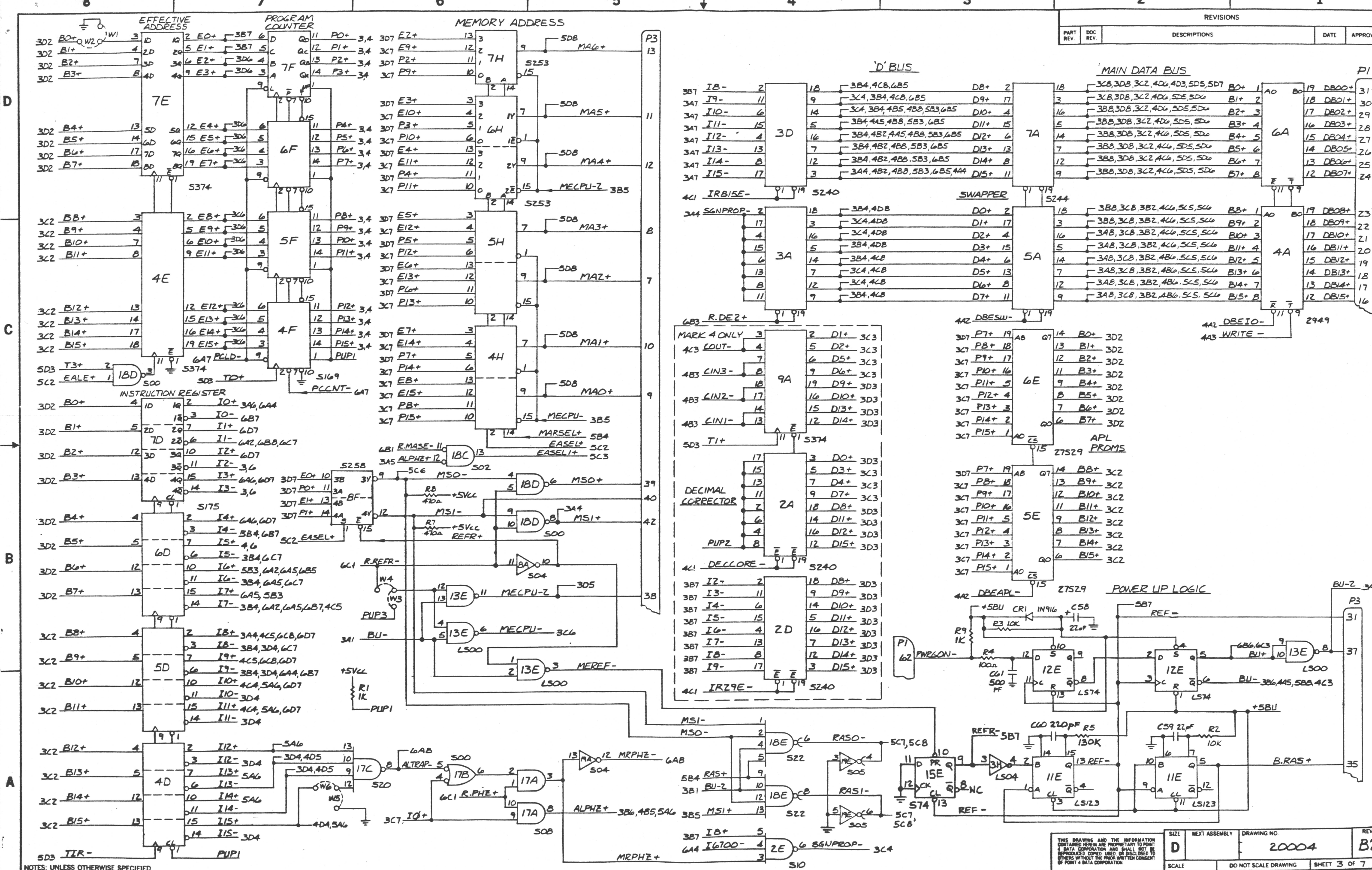
BLOCK DIAGRAM



NOTES: UNLESS OTHERWISE SPECIFIED

| | | | | |
|--|----------------------|---------------|-------------|------|
| THIS DRAWING AND THE INFORMATION CONTAINED HEREIN ARE PROPRIETARY TO POINT 4 DATA CORPORATION AND SHALL NOT BE REPRODUCED COPIED, USED OR DISCLOSED TO OTHERS WITHOUT THE PRIOR WRITTEN CONSENT OF POINT 4 DATA CORPORATION. | SIZE | NEXT ASSEMBLY | DRAWING NO. | REV. |
| | D | | 20004 | B2 |
| SCALE | DO NOT SCALE DRAWING | SHEET 2 OF 7 | | |

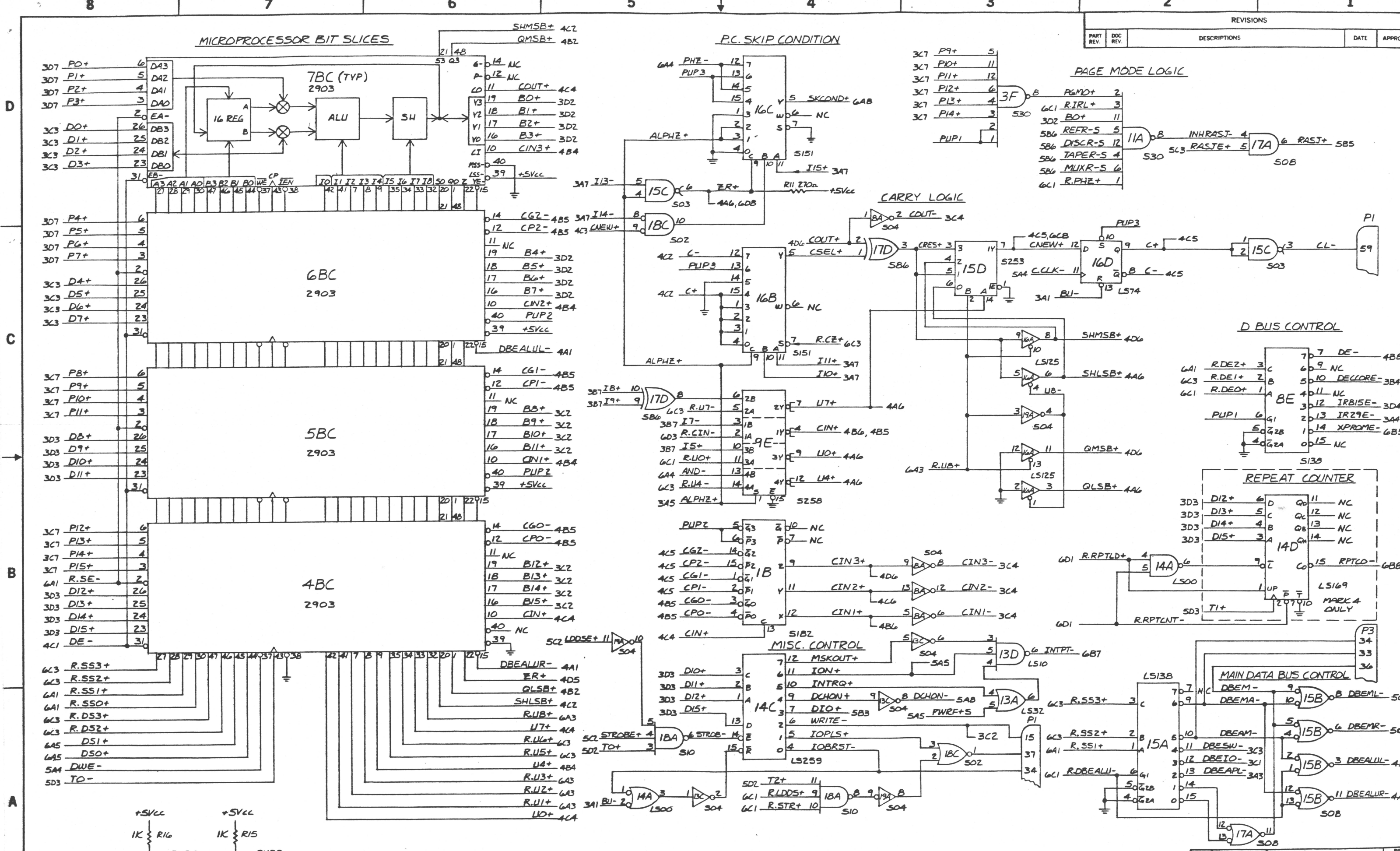
| PART REV. | | DOC REV. | | REVISIONS | DATE | APPROVED |
|-----------|--|----------|--|-----------|------|----------|
| | | | | | | |



NOTES: UNLESS OTHERWISE SPECIFIED

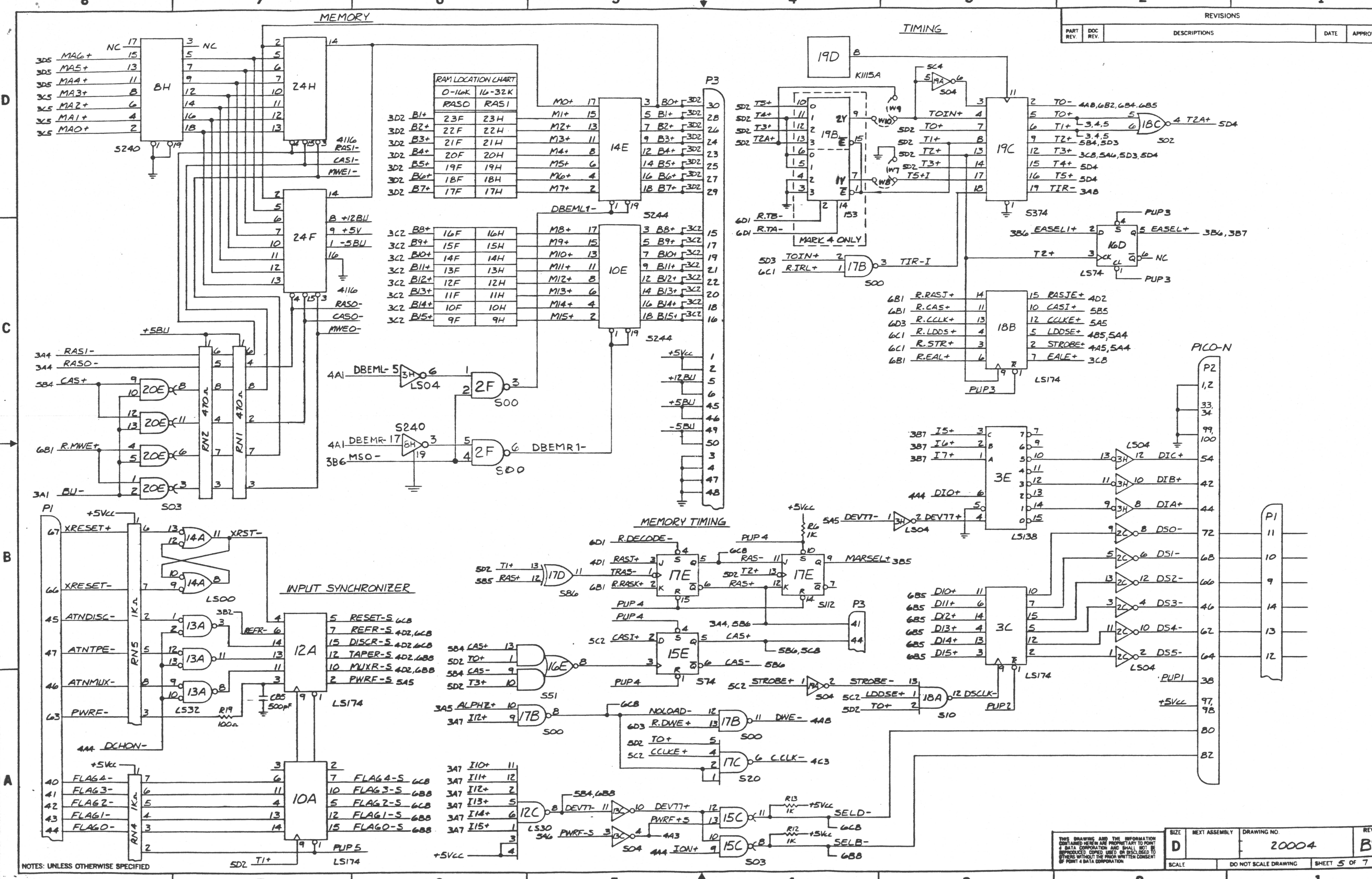
| | | | | |
|--|----------------------|---------------|--------------|------|
| THIS DRAWING AND THE INFORMATION CONTAINED HEREIN ARE PROPRIETARY TO POINT 4 DATA CORPORATION AND SHALL NOT BE REPRODUCED, COPIED, USED, OR DISCLOSED TO OTHERS WITHOUT THE PRIOR WRITTEN CONSENT OF POINT 4 DATA CORPORATION. | SIZE | NEXT ASSEMBLY | DRAWING NO. | REV. |
| | D | | 20004 | B2 |
| SCALE | DO NOT SCALE DRAWING | | SHEET 3 OF 7 | |

| REVISIONS | | | | |
|-----------|----------|--------------|------|----------|
| PART REV. | DOC REV. | DESCRIPTIONS | DATE | APPROVED |
| | | | | |



NOTES: UNLESS OTHERWISE SPECIFIED

| | | | | |
|---|----------------------|---------------|-------------|-----|
| THIS DRAWING AND THE INFORMATION CONTAINED HEREIN ARE PROPRIETARY TO POINT 4 DATA CORPORATION AND SHALL NOT BE REPRODUCED OR COPIED OR DISCLOSED TO OTHERS WITHOUT THE PRIOR WRITTEN CONSENT OF POINT 4 DATA CORPORATION. | SIZE | NEXT ASSEMBLY | DRAWING NO. | REV |
| | D | | 20004 | B2 |
| SCALE | DO NOT SCALE DRAWING | SHEET 4 OF 7 | | |



RAM LOCATION CHART

| | 0-16K | 16-32K |
|---------|---------|--------|
| RAS0 | RAS1 | |
| 3D2 B1+ | 23F 23H | M0+ 17 |
| 3D2 B2+ | 22F 22H | M1+ 15 |
| 3D2 B3+ | 21F 21H | M2+ 13 |
| 3D2 B4+ | 20F 20H | M3+ 11 |
| 3D2 B5+ | 19F 19H | M4+ 8 |
| 3D2 B6+ | 18F 18H | M5+ 6 |
| 3D2 B7+ | 17F 17H | M6+ 4 |
| | | M7+ 2 |

| | | |
|---------|---------|--------|
| 3C2 B8+ | 16F 16H | M8+ 17 |
| 3C2 B9+ | 15F 15H | M9+ 15 |

CARD EDGE CONNECTOR

| P1 | | | P1 | | |
|-----|----------|---------|--------|----------|---------|
| TOP | | | BOTTOM | | |
| PIN | SIGNAL | DIRECT. | PIN | SIGNAL | DIRECT. |
| 1 | GND | IN | 2 | GND | IN |
| 3 | GND | IN | 4 | GND | IN |
| 5 | +5V | IN | 6 | +5V | IN |
| 7 | +5V | IN | 8 | +5V | IN |
| 9 | DS2- | OUT | 10 | DS1- | OUT |
| 11 | DS0- | OUT | 12 | DS5- | OUT |
| 13 | DS4- | OUT | 14 | DS3- | OUT |
| 15 | WRITE- | OUT | 16 | DB15+ | BI |
| 17 | DB14+ | BI | 18 | DB13+ | BI |
| 19 | DB12+ | BI | 20 | DB11+ | BI |
| 21 | DB10+ | BI | 22 | DB09+ | BI |
| 23 | DB08+ | BI | 24 | DB07+ | BI |
| 25 | DB06+ | BI | 26 | DB05+ | BI |
| 27 | DB04+ | BI | 28 | DB03+ | BI |
| 29 | DB02+ | BI | 30 | DB01+ | BI |
| 31 | DB00+ | BI | 32 | GND | IN |
| 33 | GND | IN | 34 | IOBRST- | OUT |
| 35 | GND | IN | 36 | GND | IN |
| 37 | IOBPLS- | OUT | 38 | GND | IN |
| 39 | GND | IN | 40 | FLAG4- | IN |
| 41 | FLAG3- | IN | 42 | FLAG2- | IN |
| 43 | FLAG1- | IN | 44 | FLAG0- | IN |
| 45 | ATNDISC- | IN | 46 | ATNMLIX- | IN |
| 47 | ATNTPE- | IN | 48 | GND | IN |
| 49 | GND | IN | 50 | | |
| 51 | | | 52 | | |
| 53 | | | 54 | | |
| 55 | | | 56 | GND | IN |
| 57 | GND | IN | 58 | AUTO- | IN |
| 59 | CL- | OUT | 60 | GND | IN |
| 61 | GND | IN | 62 | PWRGON- | IN |
| 63 | PWRF- | IN | 64 | GND | IN |
| 65 | GND | IN | 66 | XRESET- | IN |
| 67 | XRESET+ | IN | 68 | | |
| 69 | | | 70 | | |
| 71 | GND | IN | 72 | GND | IN |
| 73 | | | 74 | | IN |
| 75 | | | 76 | GND | IN |
| 77 | GND | IN | 78 | | |
| 79 | | | 80 | GND | IN |
| 81 | GND | IN | 82 | +12BU | IN |
| 83 | +12BU | IN | 84 | GND | IN |
| 85 | GND | IN | 86 | -5BU | IN |
| 87 | -5BU | IN | 88 | GND | IN |
| 89 | GND | IN | 90 | +5BU | IN |
| 91 | +5BU | IN | 92 | +5BU | IN |
| 93 | GND | IN | 94 | GND | IN |
| 95 | +5V | IN | 96 | +5V | IN |
| 97 | +5V | IN | 98 | +5V | IN |
| 99 | | | 100 | | |

PICO-N CONNECTOR

| P2 | | | P2 | | |
|-----|--------|---------|-----|--------|---------|
| PIN | SIGNAL | DIRECT. | PIN | SIGNAL | DIRECT. |
| 1 | GND | OUT | 2 | GND | OUT |
| 3 | | | 4 | | |
| 5 | | | 6 | | |
| 7 | | | 8 | | |
| 9 | | | 10 | | |
| 11 | | | 12 | | |
| 13 | | | 14 | | |
| 15 | | | 16 | | |
| 17 | | | 18 | | |
| 19 | | | 20 | | |
| 21 | | | 22 | | |
| 23 | | | 24 | | |
| 25 | | | 26 | | |
| 27 | | | 28 | | |
| 29 | | | 30 | | |
| 31 | | | 32 | | |
| 33 | GND | OUT | 34 | GND | OUT |
| 35 | | | 36 | | |
| 37 | | | 38 | PUP1 | OUT |
| 39 | | | 40 | | |
| 41 | | | 42 | DIB+ | OUT |
| 43 | | | 44 | DIA+ | OUT |
| 45 | | | 46 | DS3- | OUT |
| 47 | | | 48 | | |
| 49 | | | 50 | | |
| 51 | | | 52 | | |
| 53 | | | 54 | DIC+ | OUT |
| 55 | | | 56 | | |
| 57 | | | 58 | | |
| 59 | | | 60 | | |
| 61 | | | 62 | DS4- | OUT |
| 63 | | | 64 | DS5- | OUT |
| 65 | | | 66 | DS2- | OUT |
| 67 | | | 68 | DS1- | OUT |
| 69 | | | 70 | | |
| 71 | | | 72 | DS0- | OUT |
| 73 | | | 74 | | |
| 75 | | | 76 | | |
| 77 | | | 78 | | |
| 79 | | | 80 | SELD- | IN |
| 81 | | | 82 | SELB- | IN |
| 83 | | | 84 | | |
| 85 | | | 86 | | |
| 87 | | | 88 | | |
| 89 | | | 90 | | |
| 91 | | | 92 | | |
| 93 | | | 94 | | |
| 95 | | | 96 | | |
| 97 | VCC | OUT | 98 | VCC | OUT |
| 99 | GND | OUT | 100 | GND | OUT |

PIGGY-BACK CONNECTOR

| P3 | | |
|-----|---------|---------|
| PIN | SIGNAL | DIRECT. |
| 1 | +5V | OUT |
| 2 | +5V | OUT |
| 3 | GND | OUT |
| 4 | GND | OUT |
| 5 | +12BU | OUT |
| 6 | +12BU | OUT |
| 7 | MA2+ | OUT |
| 8 | MA3+ | OUT |
| 9 | MA0+ | OUT |
| 10 | MA1+ | OUT |
| 11 | MA5+ | OUT |
| 12 | MA4+ | OUT |
| 13 | MA6+ | OUT |
| 14 | | |
| 15 | B8+ | BI |
| 16 | B15+ | BI |
| 17 | B9+ | BI |
| 18 | B14+ | BI |
| 19 | B10+ | BI |
| 20 | B13+ | BI |
| 21 | B11+ | BI |
| 22 | B12+ | BI |
| 23 | B4+ | BI |
| 24 | B3+ | BI |
| 25 | B5+ | BI |
| 26 | B2+ | BI |
| 27 | B6+ | BI |
| 28 | B1+ | BI |
| 29 | B7+ | BI |
| 30 | B0+ | BI |
| 31 | REFR- | OUT |
| 32 | | |
| 33 | DBEMA- | OUT |
| 34 | DBEAM- | OUT |
| 35 | B.RAS+ | OUT |
| 36 | DBEM- | OUT |
| 37 | BU-Z | OUT |
| 38 | MECPU-2 | OUT |
| 39 | MS0+ | OUT |
| 40 | MS1- | OUT |
| 41 | RAS+ | OUT |
| 42 | MS1+ | OUT |
| 43 | R.MWE+ | OUT |
| 44 | CAS+ | OUT |
| 45 | +5BU | OUT |
| 46 | +5BU | OUT |
| 47 | GND | OUT |
| 48 | GND | OUT |
| 49 | -5BU | OUT |
| 50 | -5BU | OUT |

NOTES: UNLESS OTHERWISE SPECIFIED

| | | | | |
|--|----------------------|---------------|--------------|-----|
| THIS DRAWING AND THE INFORMATION CONTAINED HEREIN ARE PROPRIETARY TO POINT 4 DATA CORPORATION AND SHALL NOT BE REPRODUCED, COPIED, USED, OR DISCLOSED TO OTHERS WITHOUT THE PRIOR WRITTEN CONSENT OF POINT 4 DATA CORPORATION. | SIZE | NEXT ASSEMBLY | DRAWING NO. | REV |
| | D | | 20004 | B2 |
| SCALE | DO NOT SCALE DRAWING | | SHEET 7 OF 7 | |