

DC-295C

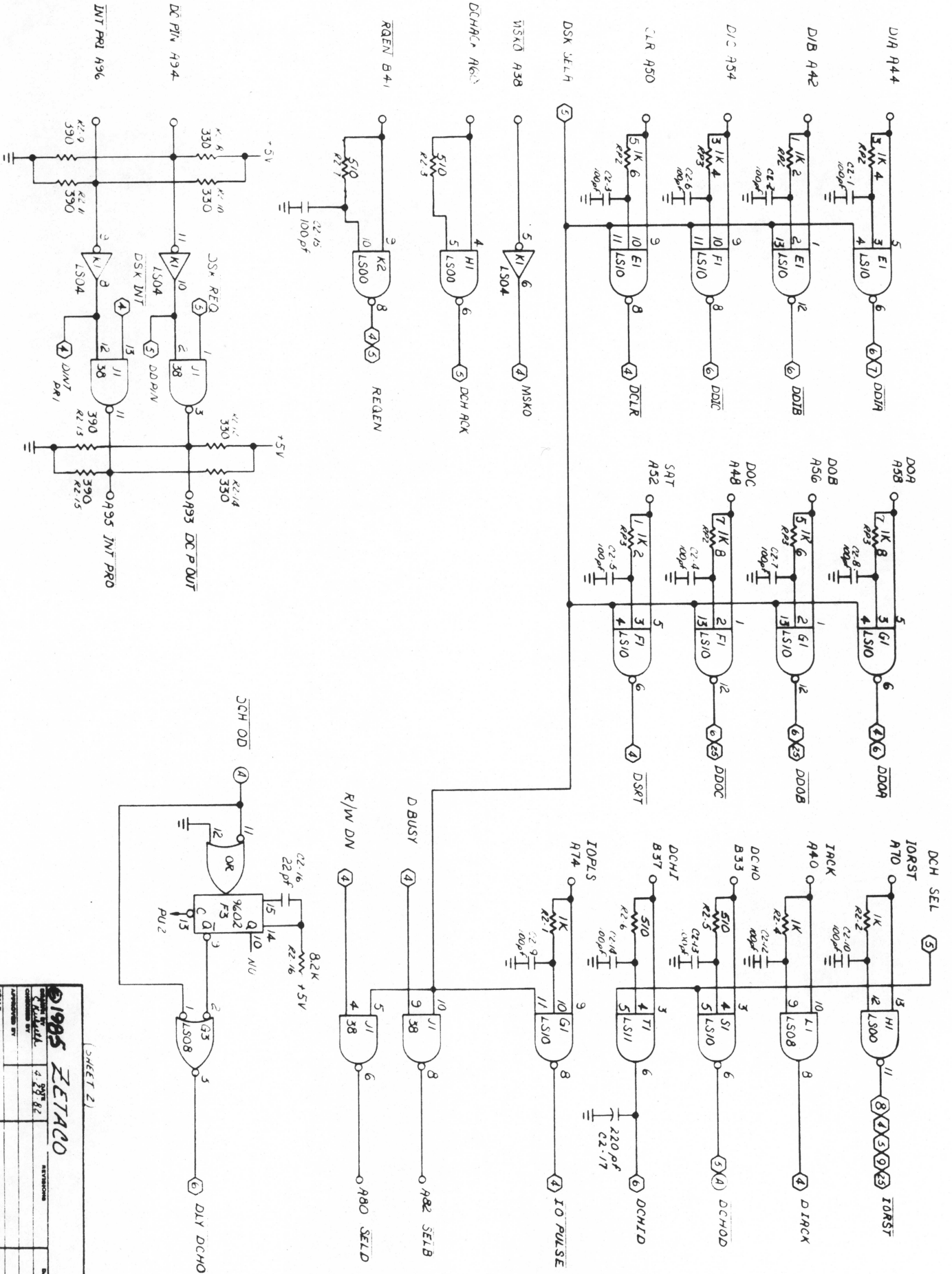
REVISION HISTORY		
ECO	DATE	DESCRIPTION
0096	2-22-83	SHEETS 5,15,17,25 AFFECTED
0103	3-10-83	CONRECT SCHEMATICS
0148	6-6-83	SHEETS 2 & 8
0149	6-16-83	SHEETS 4 & 9
0217	1-8-84	SHEET 17 & 20
0258	3-13-84	SHEETS 8,13,17,19,20,25
0283	3-30-84	SHEET 4
0336	6-29-84	SHEETS 4,5,8,14,16, 17,22,25,
0376	4-6-84	SHEET 17 & 18
0418	12-7-84	SHEETS 4 & 5
0511	10-85	SHEET 25

NOTE:
 1. NUMBERS FOUND WITHIN THE
 HEXAGON SYMBOLS INDICATES SHEETS
 WHERE CONTINUED LOGIC WILL BE FOUND
 EXAMPLE ② = SHEET 2

(SHEET 1 OF 25)

01005 ZETACO	
DATE	12-7-84
DESIGNED BY	
CHECKED BY	
PROJECT NO.	
DC-295C	790-888-00C

700383-0008

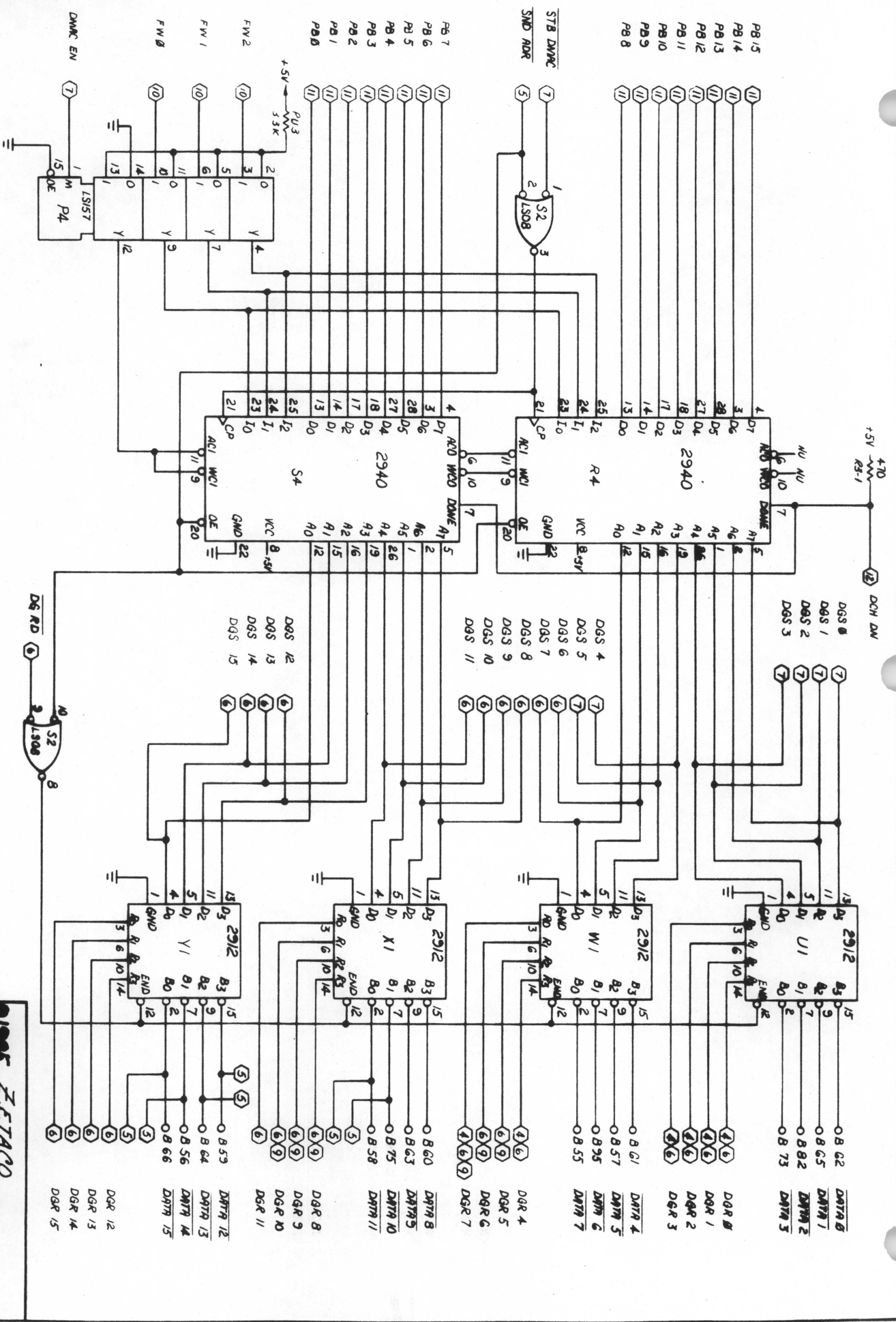


(SHEET 2)

ZETACO
1985
REVISIONS

NO.	DATE	BY	REVISIONS
1	4/29/82	K. M. KILL	DESIGN
2			
3			
4			
5			

700-383-000
DIGITAL INTERFACE
DRAWING NUMBER



700383-000 B

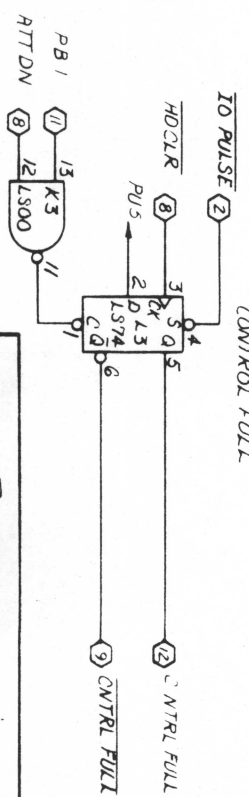
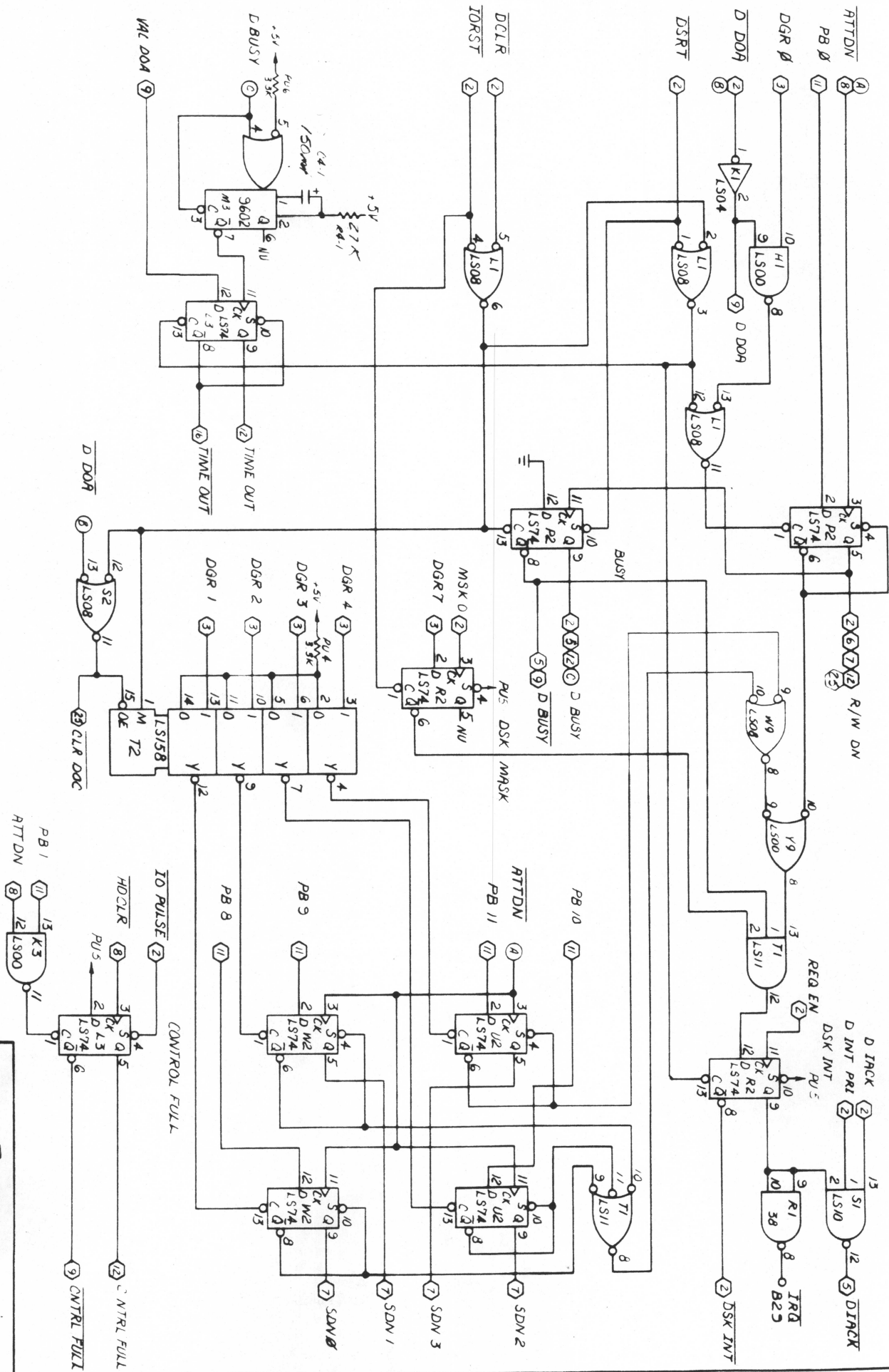
(SHEET 3)

ZETACO	
MODEL	700-383-000
DATE	
DESIGNED BY	
CHECKED BY	
APPROVED BY	
DATE	

DCM DR/REC & ADDR GEN

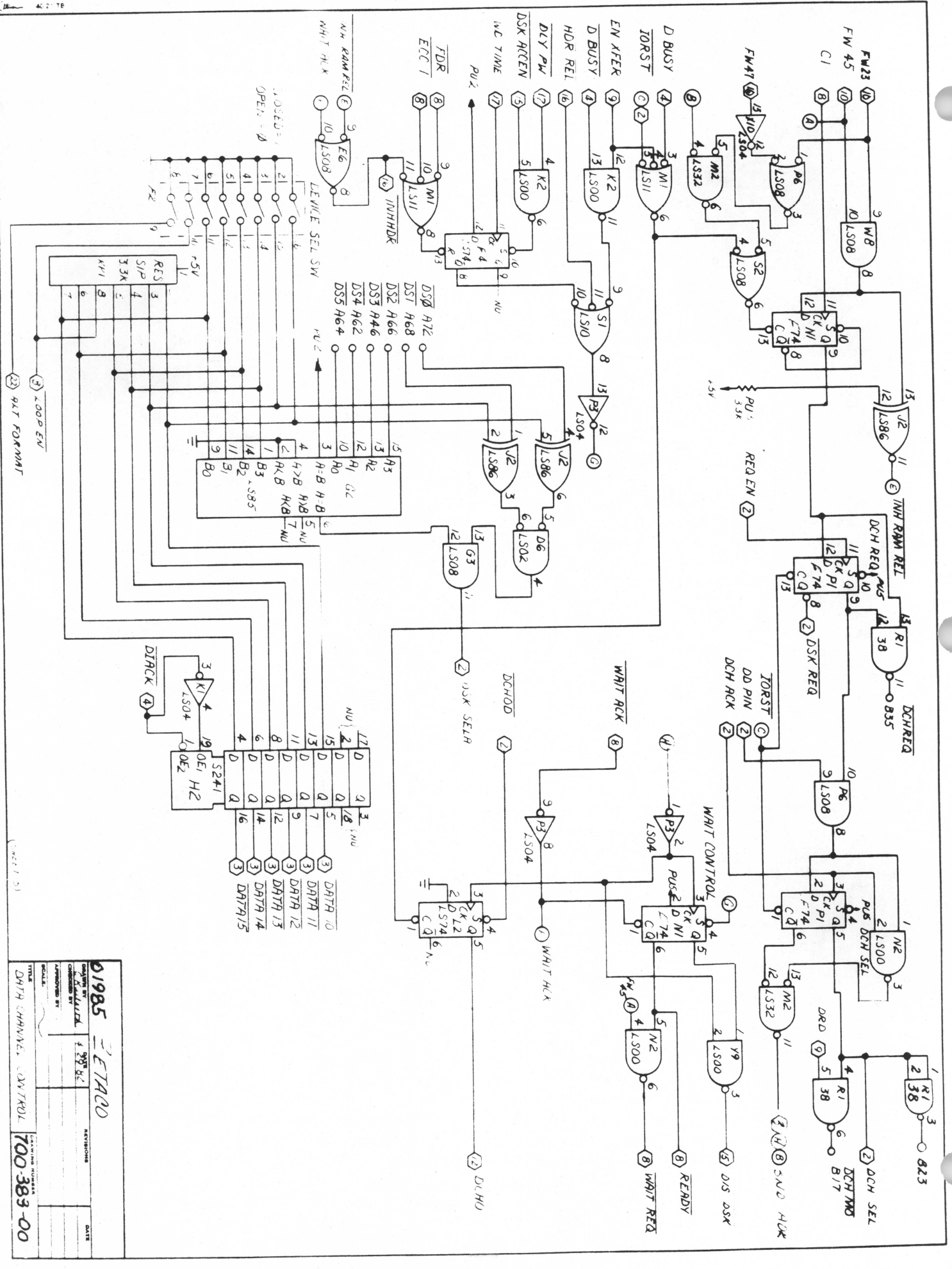
C

700383-020B



(SHEET 4)

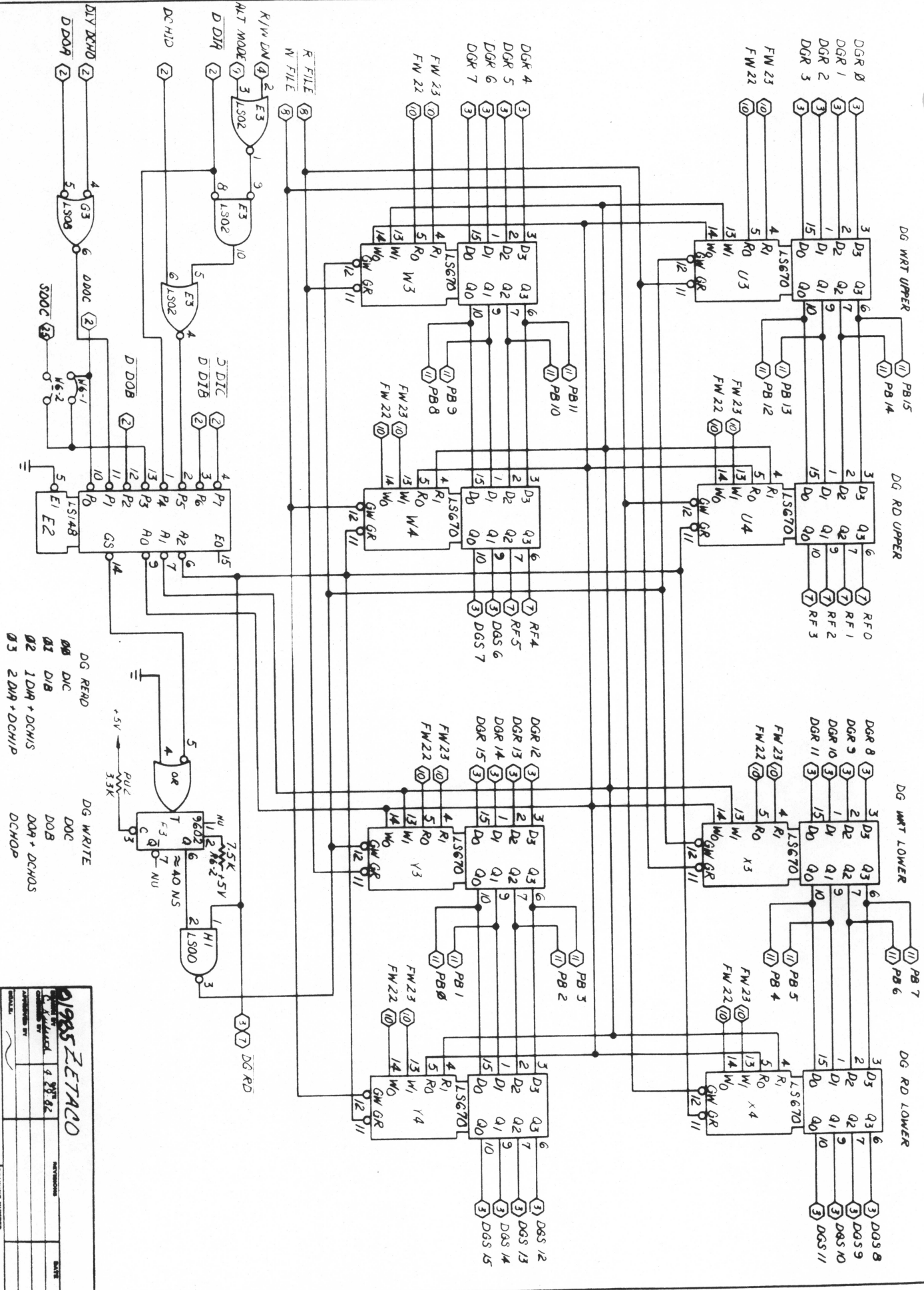
01985 ZETACCO	
DRAWING NUMBER 700-383-00C	REVISED DATE



700383-000B

01985
 DRAWING BY: **ETACCO**
 CHECKED BY: **ETACCO**
 APPROVED BY: **ETACCO**
 SCALE: **1:1**
 DATE: **12/15/60**
 TITLE: **DATA CHANNEL CONTROL**
 PART NUMBER: **700383-00**

700383-000 B



- DG REND
- DG WRT
- DG
- DIC
- DIB
- D0A + DCH1S
- D0B
- D0C
- D0A + DCH1P
- D0B
- D0C
- D0D
- D0E
- D0F
- D0G
- D0H
- D0I
- D0J
- D0K
- D0L
- D0M
- D0N
- D0O
- D0P
- D0Q
- D0R
- D0S
- D0T
- D0U
- D0V
- D0W
- D0X
- D0Y
- D0Z

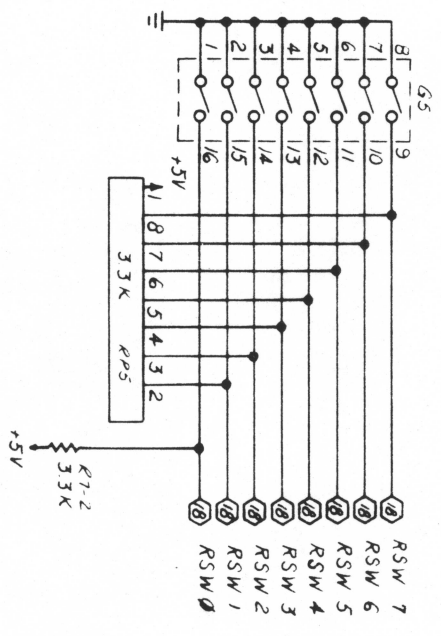
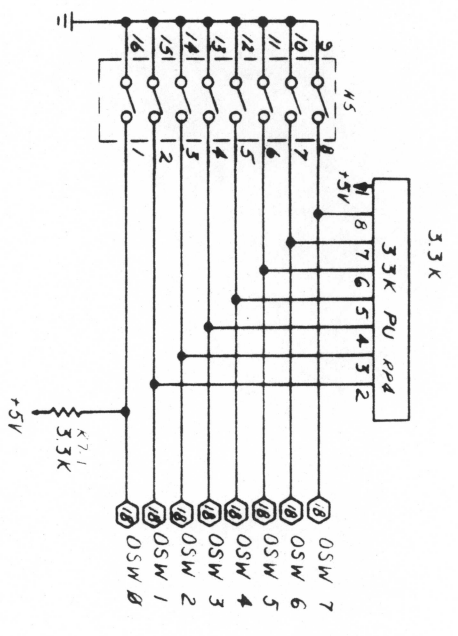
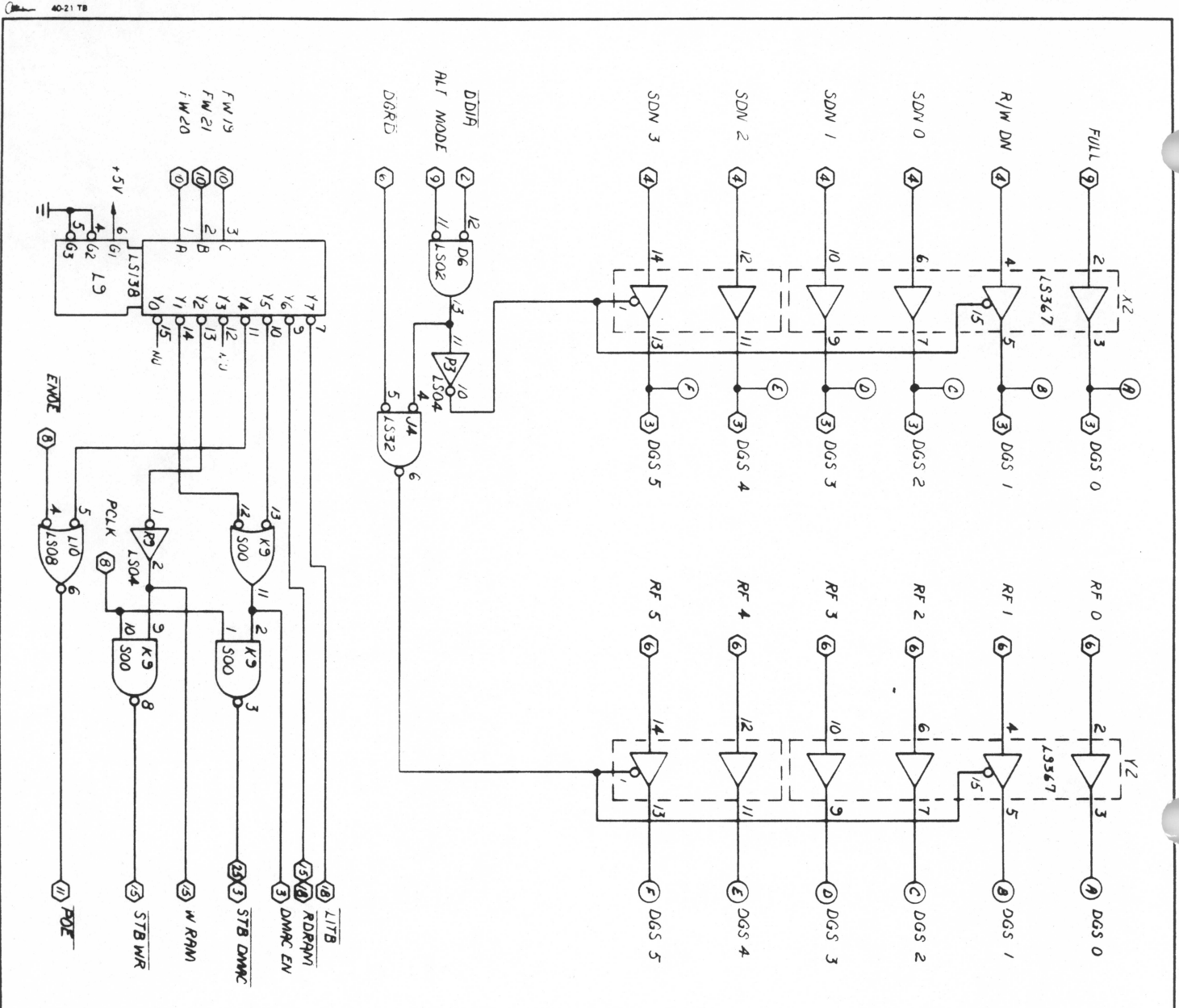
SHEET 6

01985 ZETAGO

REGISTER FILE

700-383-000 C

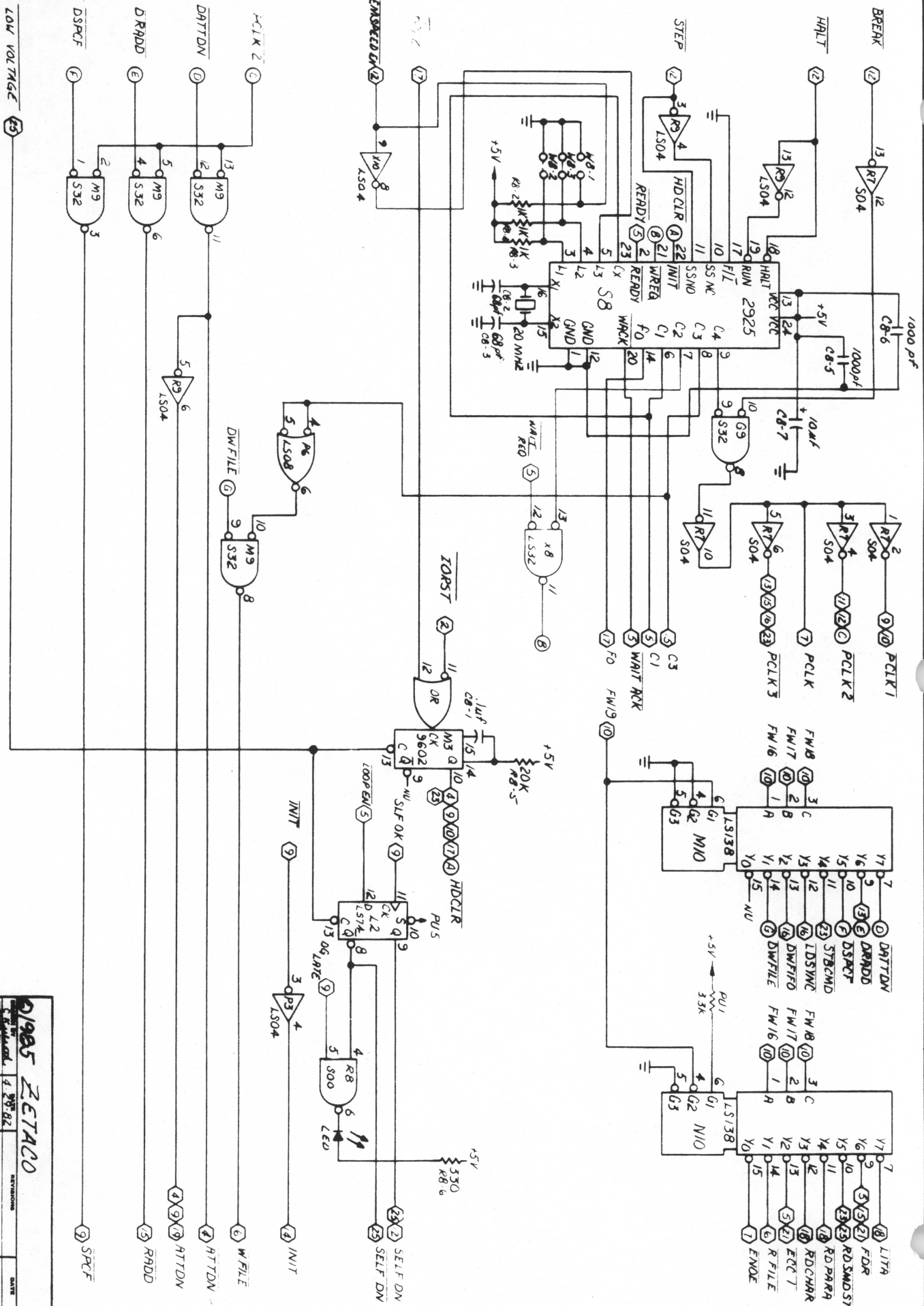
DATE	ENTER
REVISION	
APPROVED BY	
DESIGNED BY	
CHECKED BY	
DATE	



(SHEET 7)

<p>91985 ZETA20</p>	
<p>DESIGNED BY CHECKED BY DATE</p>	<p>REVISIONS DATE</p>
<p>TITLE: D/A DRIVER</p>	
<p>QUANTITIES: 100-385-0003</p>	

700383-000B

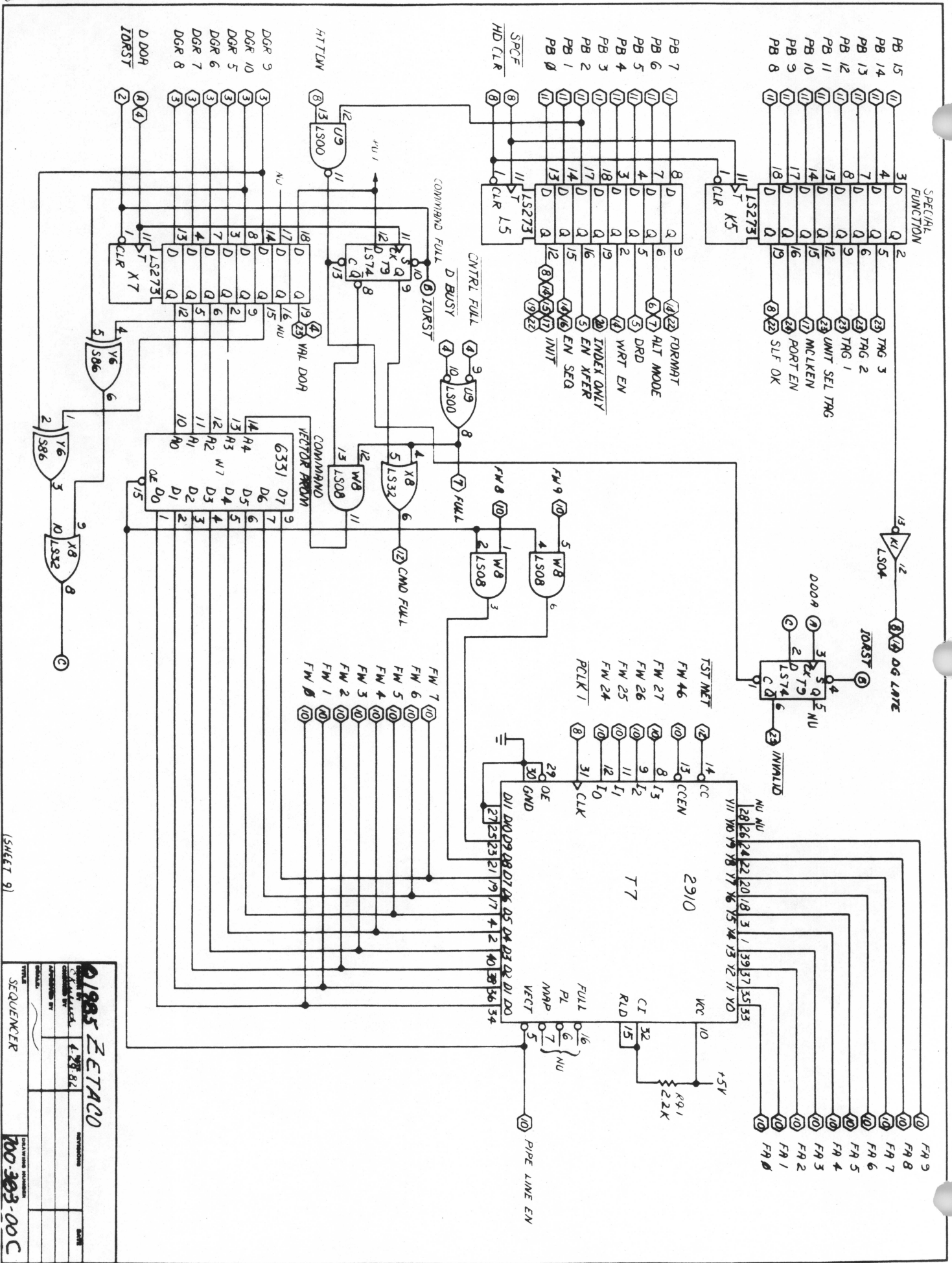


(SHEET 8)

DRAWING NUMBER			
700-383-00 C			
TITLE			
MICRO CONTROL			
DATE	REVISIONS	DESIGNED BY	DRAWN BY
		4 28 82	
DRAWN BY			
CHECKED BY			
APPROVED BY			
DATE			

ZETACO

700383-0008

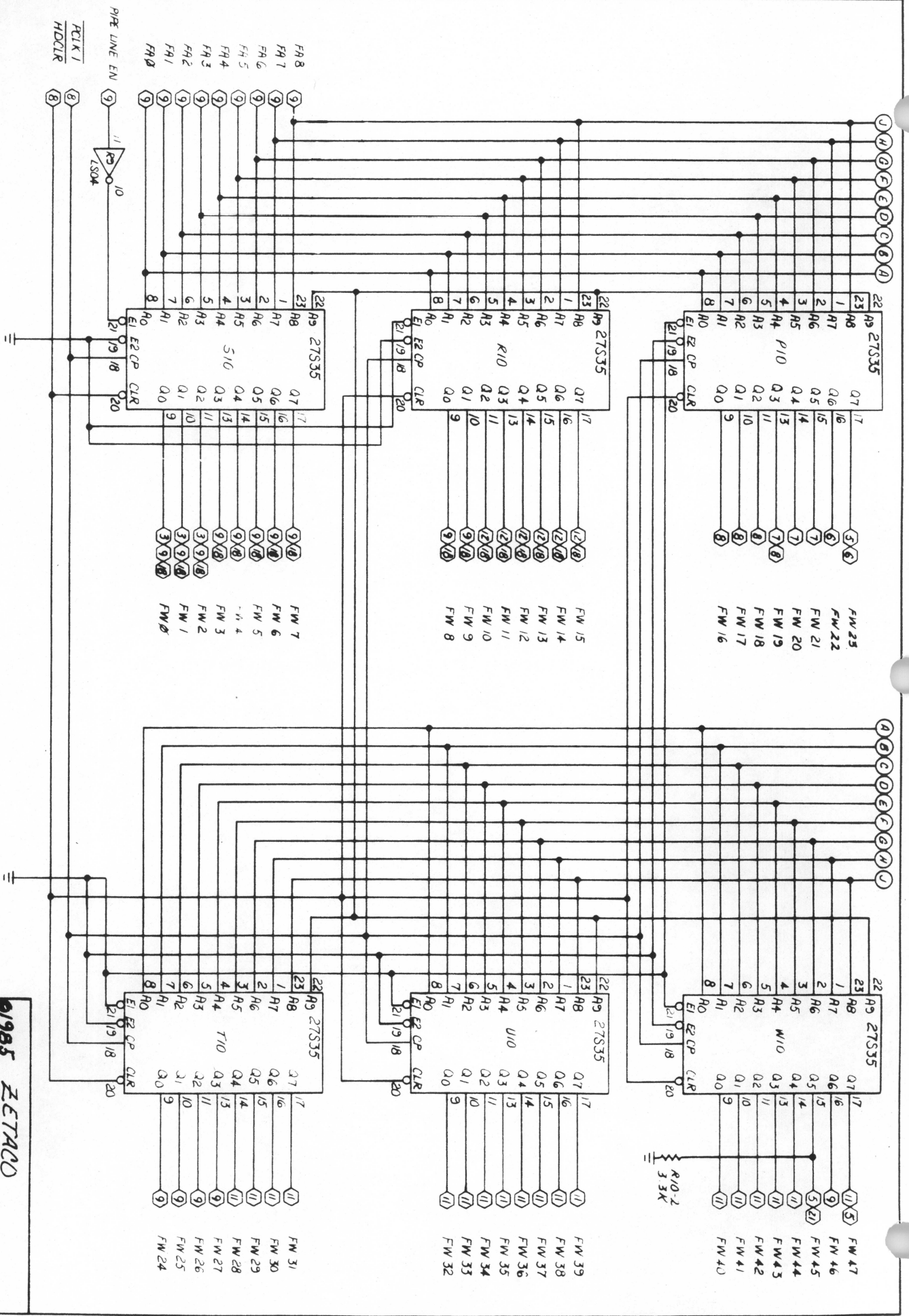


(SHEET 9)

01985 ZETACO

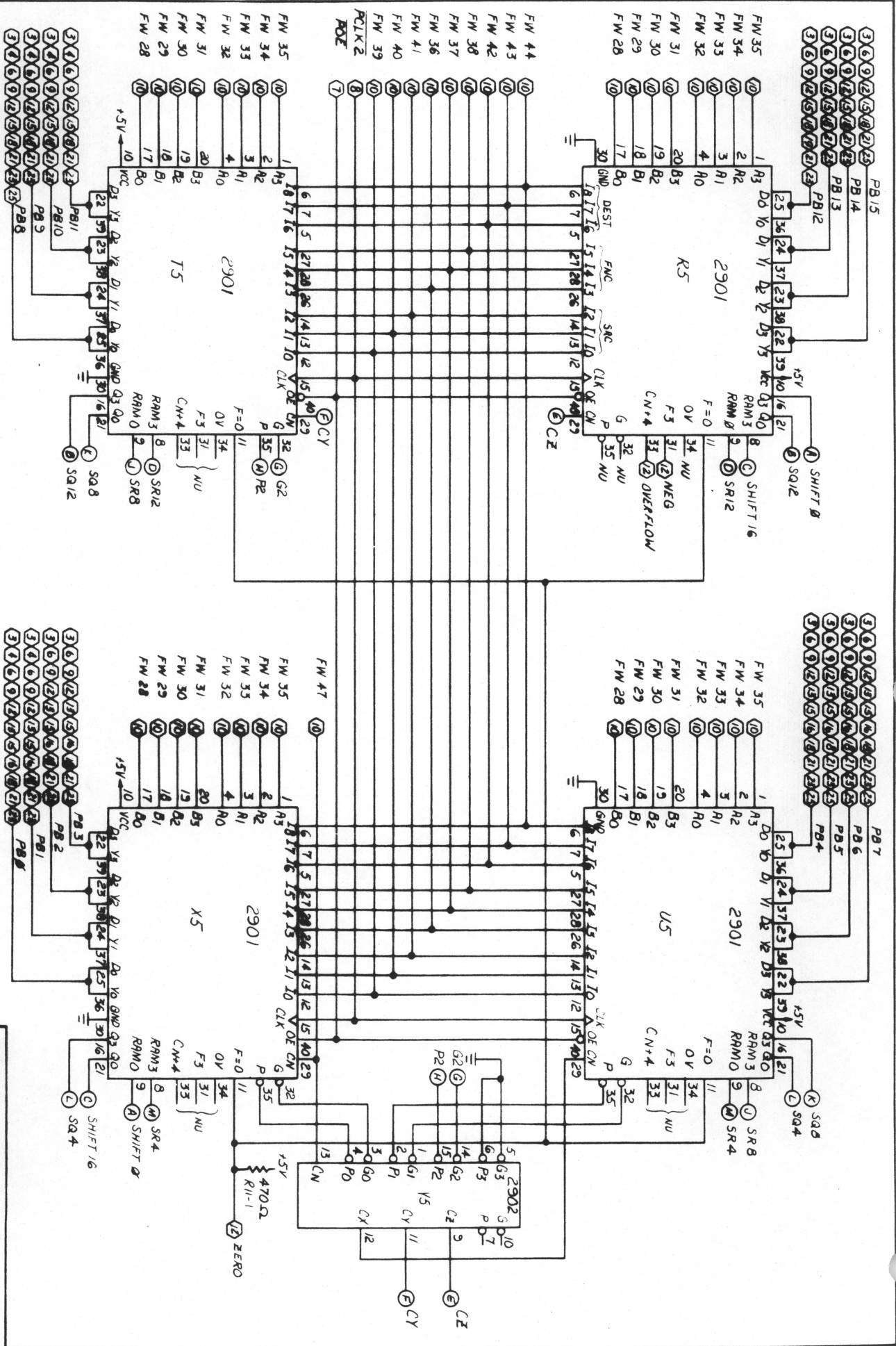
SEQUENCER

700-383-00C



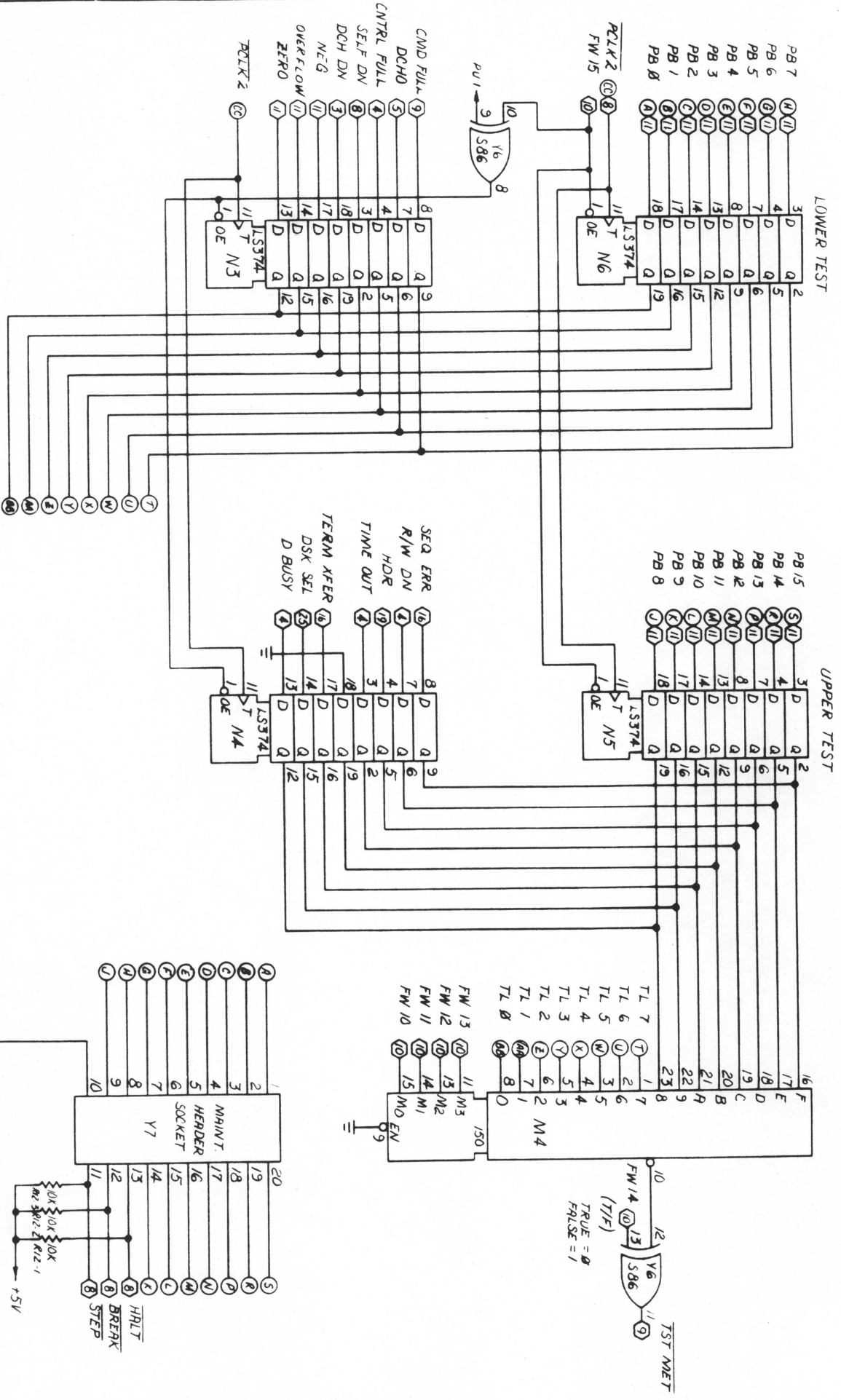
91985 ZETACO		REV
DESIGNED BY	4-28-82	DATE
DESIGNED BY		
APPROVED BY		
CHECKED		
TITLE	FIRMWARE	
DRAWING NUMBER 700-383-00C		

SHEET 101



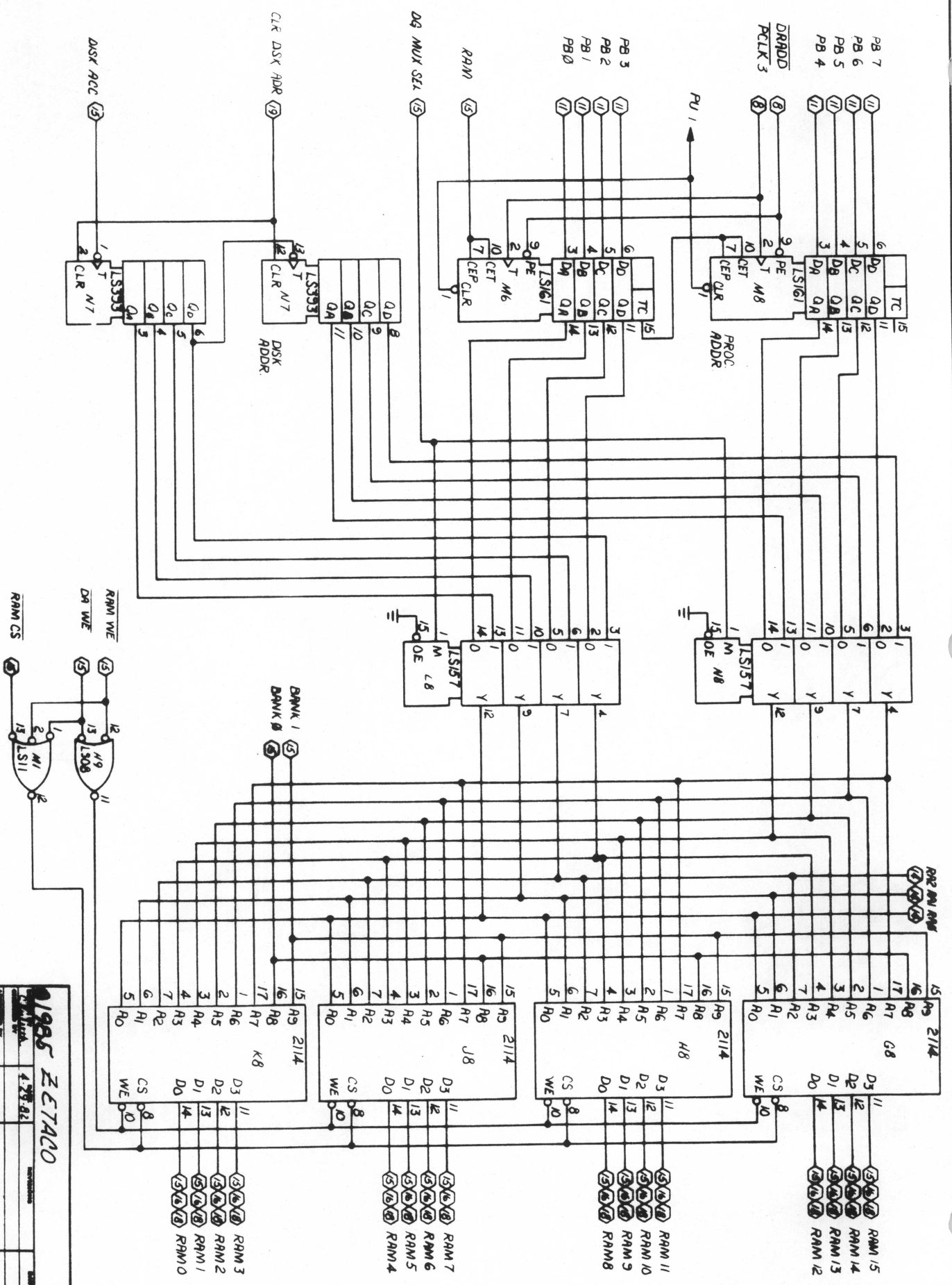
(SHEET 11)

4085 ZETACO	
DATE	REV
DESIGNED BY	APPROVED BY
CHECKED BY	DATE
TESTED BY	DATE
PROCESSOR	700-383-00C



(SHEET 12)

<p>01985 ZETACO</p>	
<p>DESIGNED BY C. M. HALL</p>	<p>DATE 4-28-82</p>
<p>TEST CONDITION</p>	<p>700-383-00 C</p>

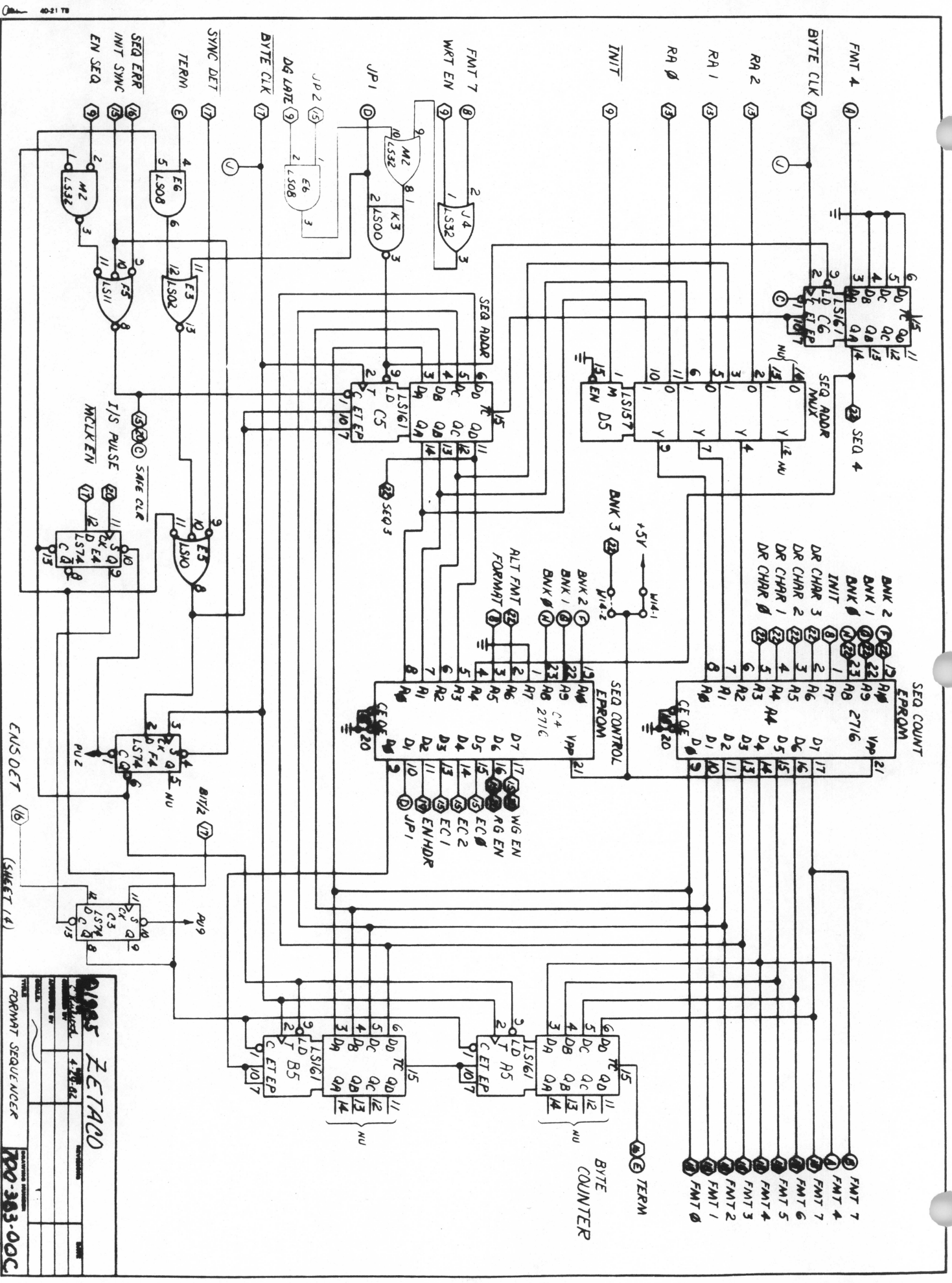


(SHEET 1/3)

ETACCO
 1985
 4.75.82
 MEMORY

DATE	
DESIGNED BY	
CHECKED BY	
APPROVED BY	
TESTED BY	
REVISION	

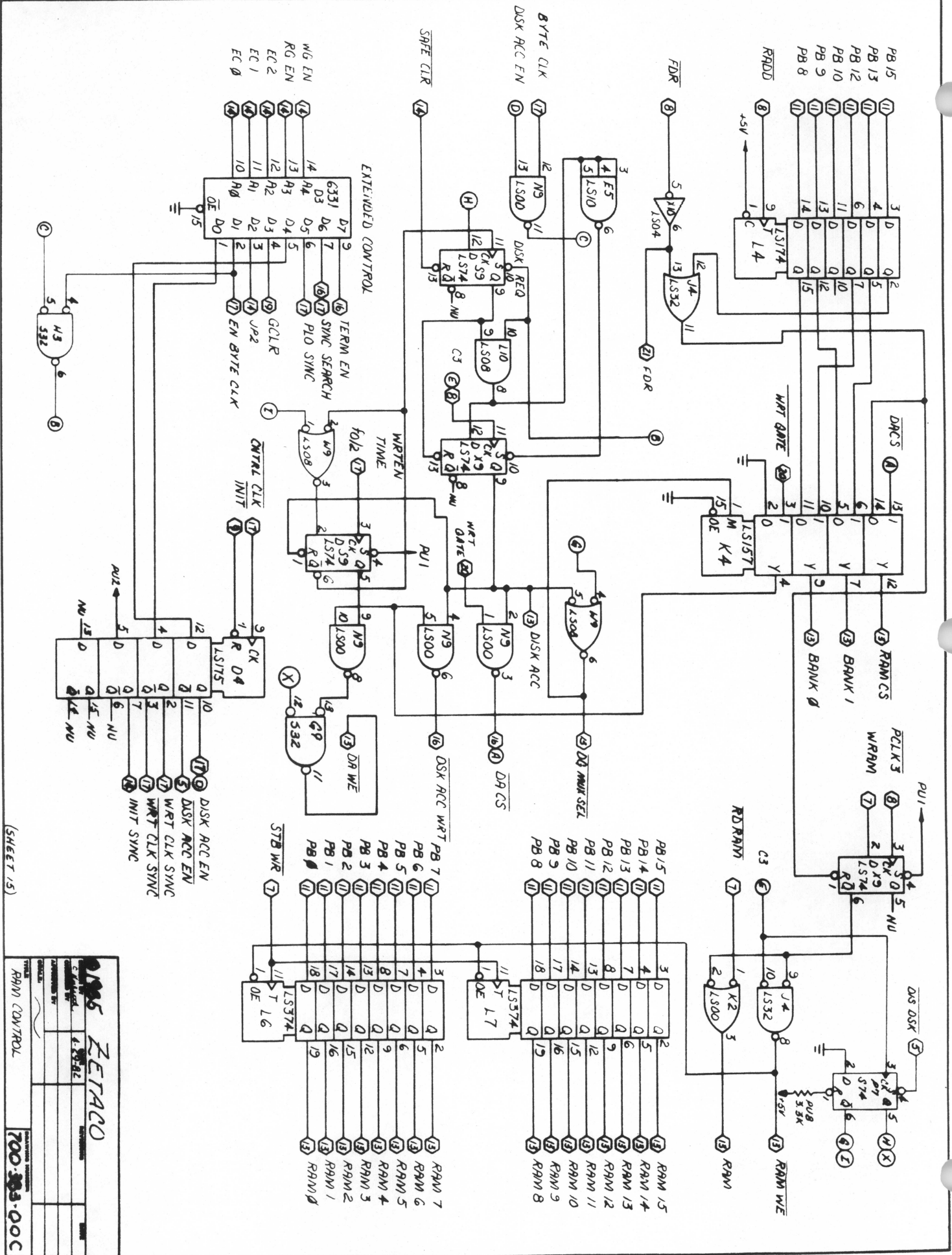
700-965-00 C



ZETACO
 7003B3-000B
 FORMATTING SEQUENCER

DATE: _____
 DRAWN BY: _____
 CHECKED BY: _____
 APPROVED BY: _____

11



(SHEET 15)

ZETACO

700383-000C

RAM CONTROL

DATE: 4-19-82

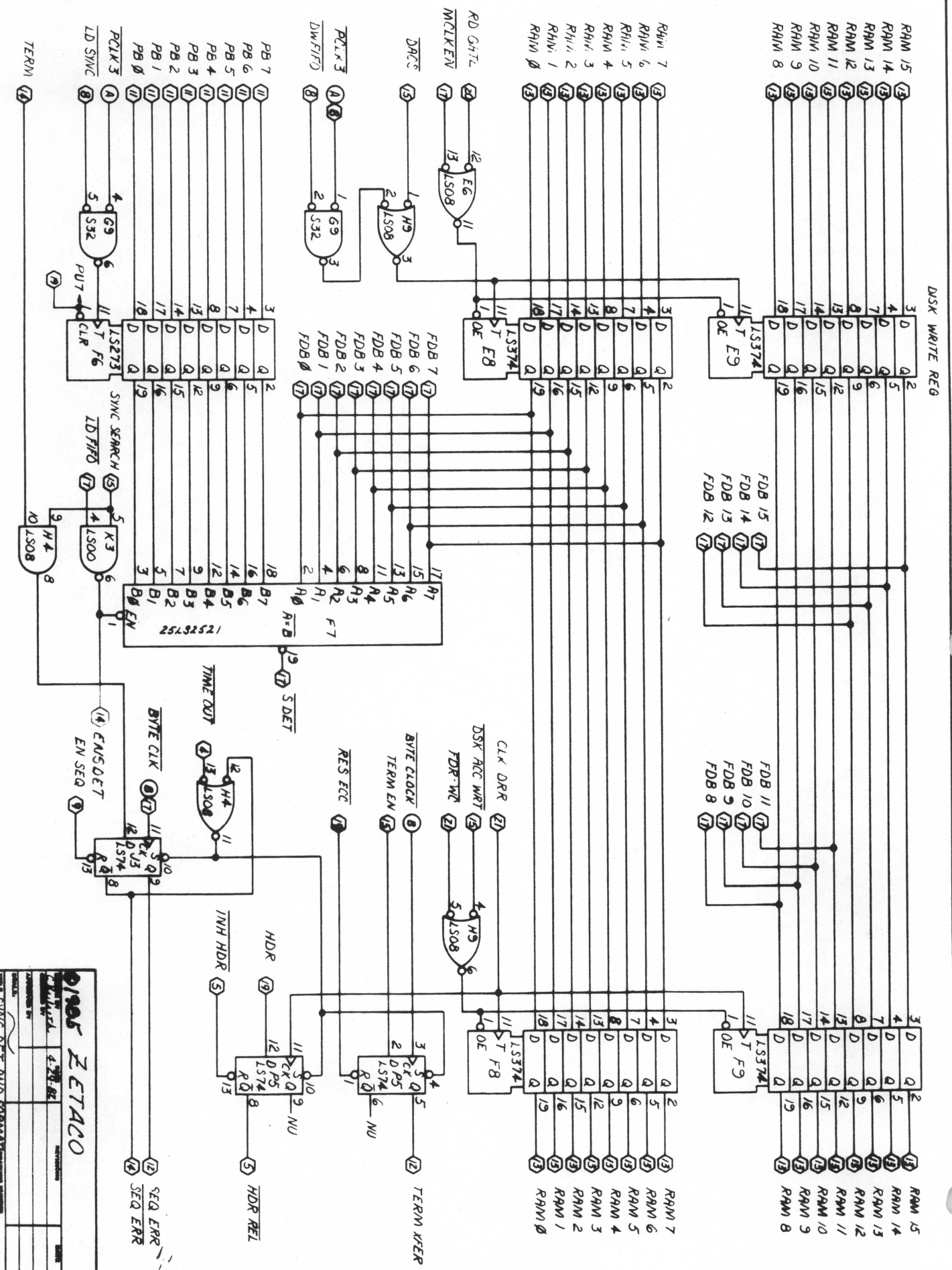
DESIGNED BY: []

CHECKED BY: []

APPROVED BY: []

REVISIONS:

NO.	DESCRIPTION	DATE



(SHEET 16)

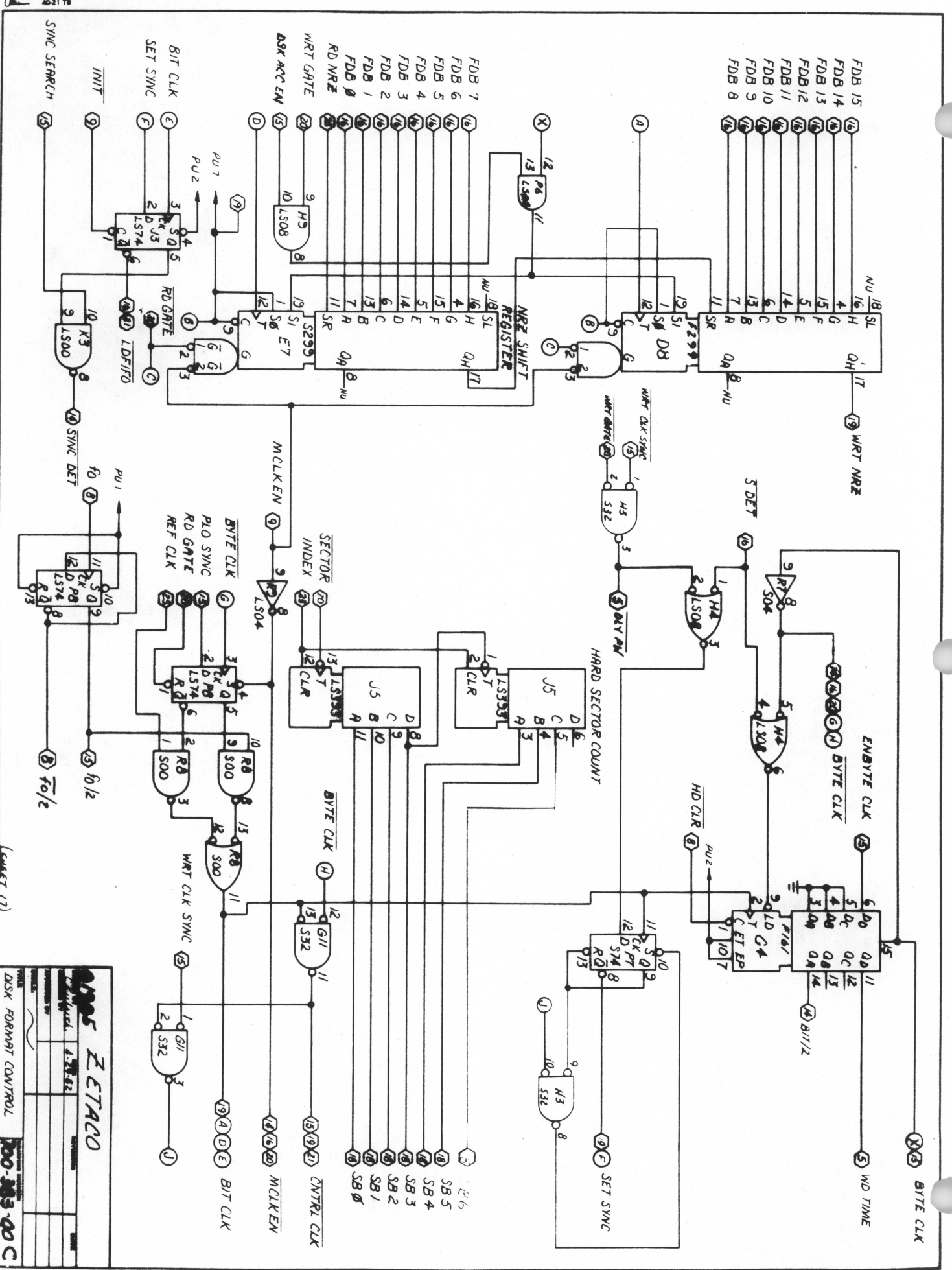
ZETACO

DESIGNED BY: []

DATE: []

700383-000 C

DISK WRITE REG BUS REG



ZETACO

Model 4.3842

Disk Format Control

700-383-0008

40-21 7B

BYTE CLK

WD TIME

ENBYTE CLK

BYTE CLK

ST DET

WRT DSK SYNC

WRT DSK SYNC

WRT DSK SYNC

WRT DSK SYNC

WRT DSK SYNC

WRT DSK SYNC

WRT DSK SYNC

WRT DSK SYNC

WRT DSK SYNC

WRT DSK SYNC

WRT DSK SYNC

WRT DSK SYNC

WRT DSK SYNC

WRT DSK SYNC

WRT DSK SYNC

WRT DSK SYNC

WRT DSK SYNC

WRT DSK SYNC

WRT DSK SYNC

WRT DSK SYNC

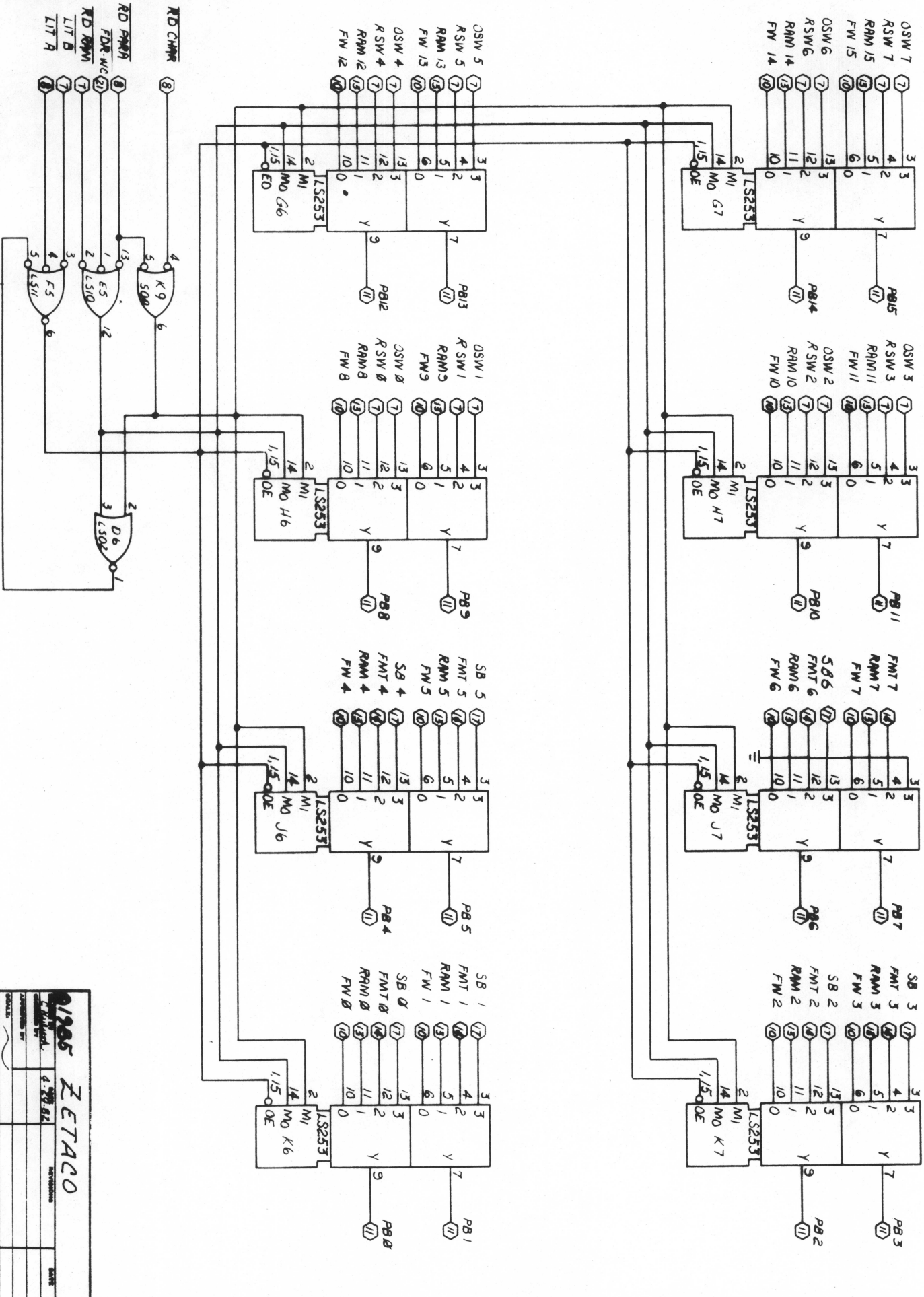
WRT DSK SYNC

WRT DSK SYNC

WRT DSK SYNC

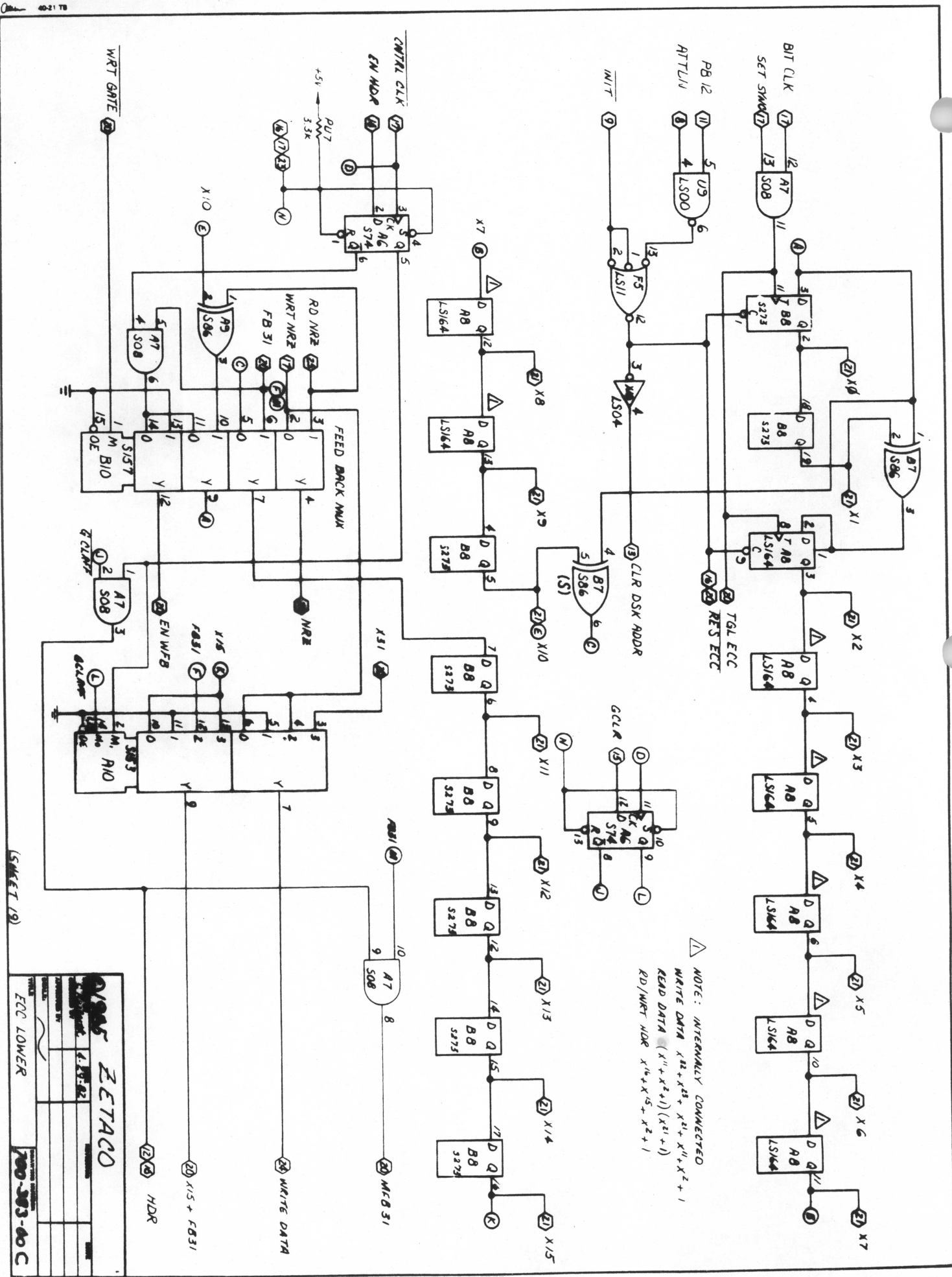
WRT DSK SYNC

700383-000 B



(SHEET 18)

<p>01985 ZETACO</p>	
<p>DATE: 4-28-62</p>	<p>REVISION:</p>
<p>DESIGNED BY:</p>	<p>CHECKED BY:</p>
<p>APPROVED BY:</p>	<p>DATE:</p>
<p>TITLE: PB REPD MUX</p>	<p>DATE: 700-383-00 C</p>



NOTE: INTERNALLY CONNECTED
 WRITE DATA $x^{12} + x^{11} + x^{10} + x^9 + x^8 + x^7 + x^6 + x^5 + x^4 + x^3 + x^2 + x + 1$
 READ DATA $(x^{11} + x^{10} + x^9 + x^8 + x^7 + x^6 + x^5 + x^4 + x^3 + x^2 + x + 1)$
 RD/WRT HDR $x^{14} + x^{13} + x^{12} + x^{11} + x^{10} + x^9 + x^8 + x^7 + x^6 + x^5 + x^4 + x^3 + x^2 + x + 1$

ZETACO

700-383-000 C

ECC LOWER

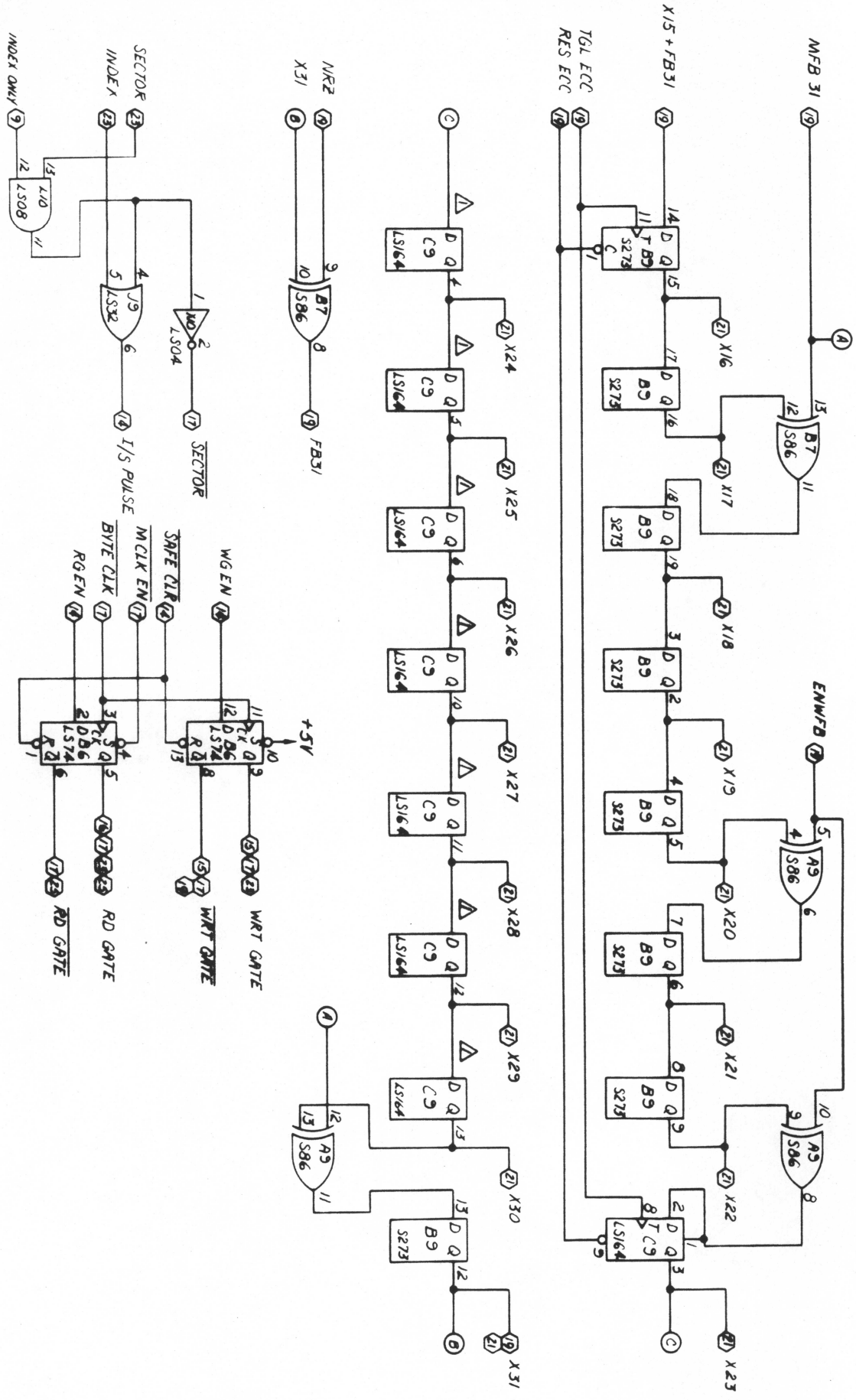
DATE: 4-18-82

DESIGNED BY: []

CHECKED BY: []

APPROVED BY: []

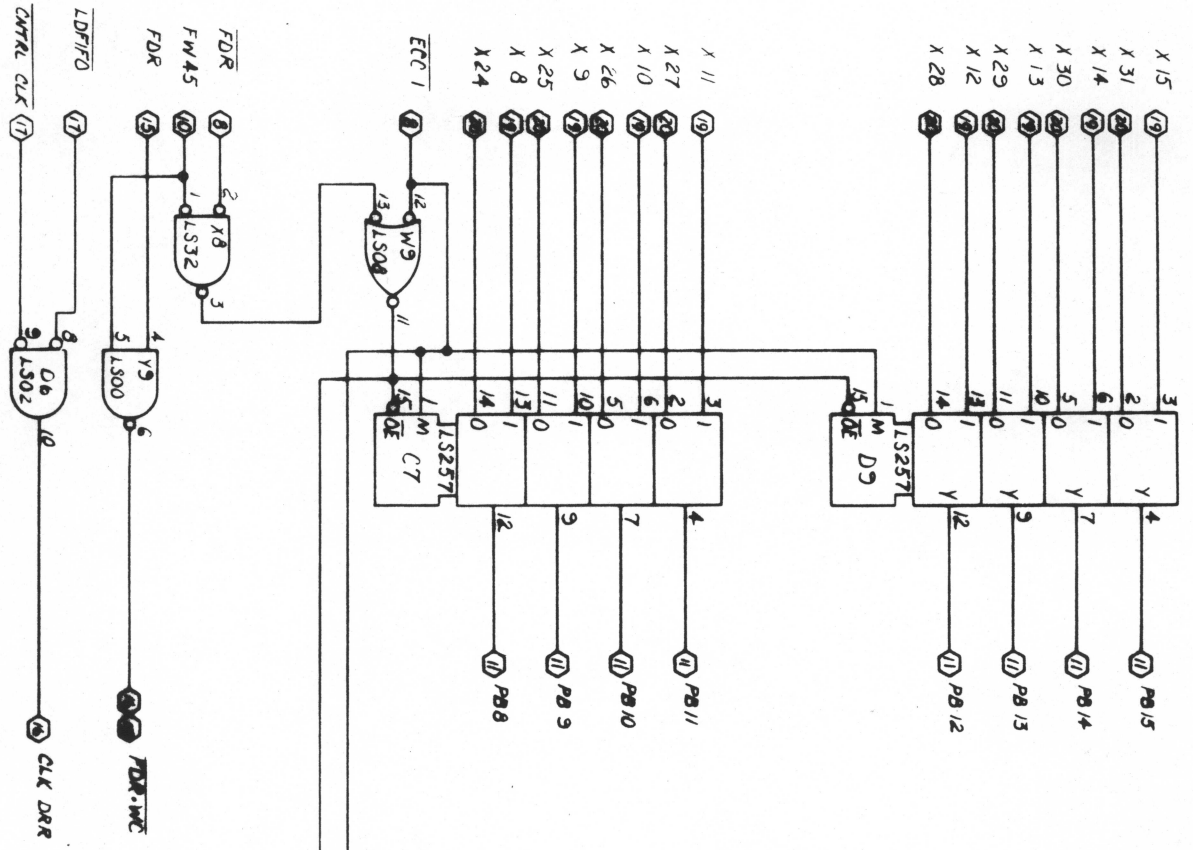
(SHEET 19)



△ NOTE: INTERNALLY CONNECTED

(SHEET 20)

<p>21905 ZETACO</p>	
<p>DATE: _____</p>	<p>REVISION: _____</p>
<p>DESIGNED BY: _____</p>	<p>CHECKED BY: _____</p>
<p>DRAWN BY: _____</p>	<p>DATE: _____</p>
<p>QUALITY ASSURANCE</p>	
<p>ECC UPPER</p>	
<p>700-383-000 C</p>	



ZETACO

DATE: 4-28-82

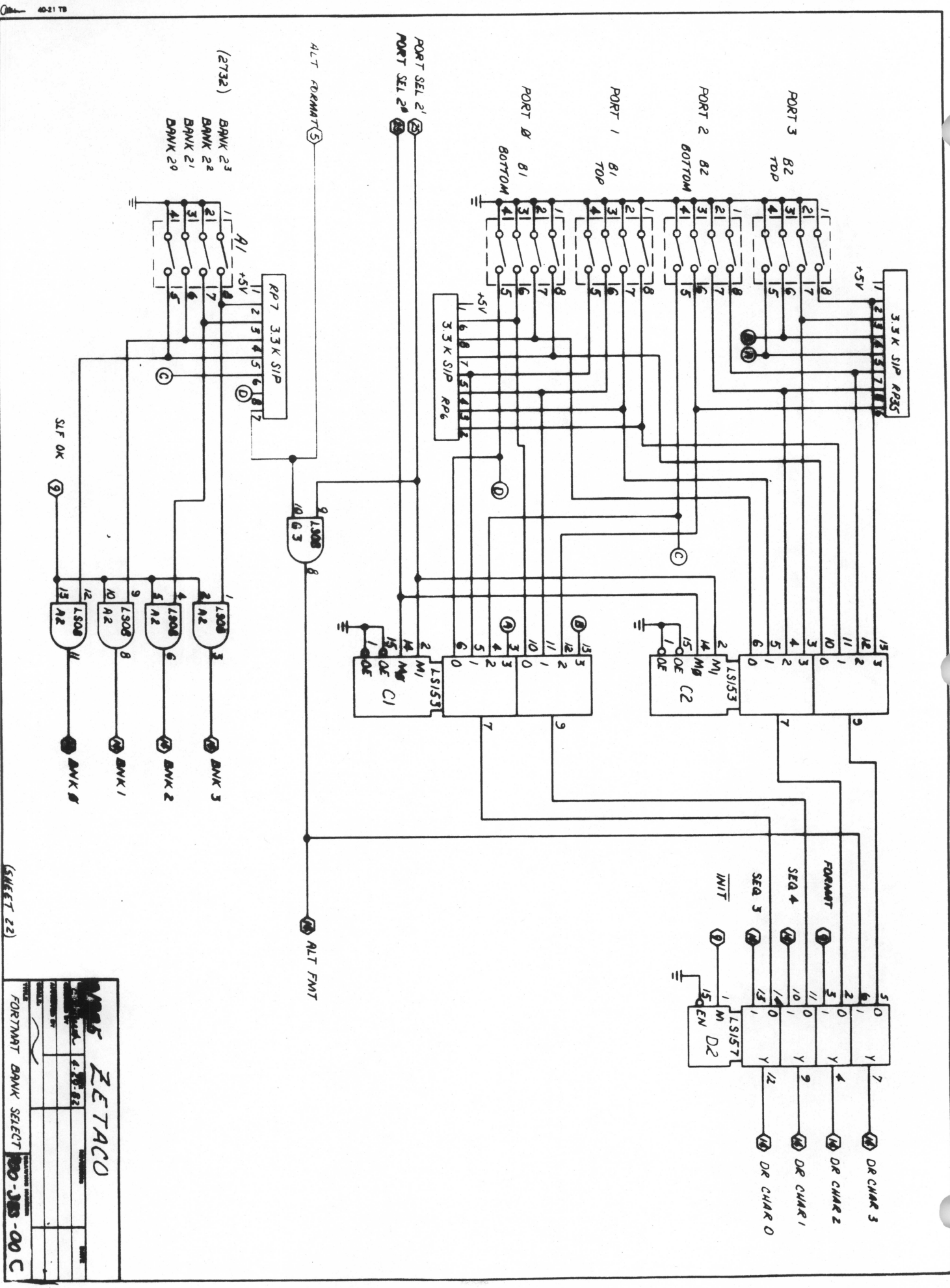
DESIGNED BY: []

CHECKED BY: []

APPROVED BY: []

TITLE: ECC OUT PUT SELECT

700-383-00 C

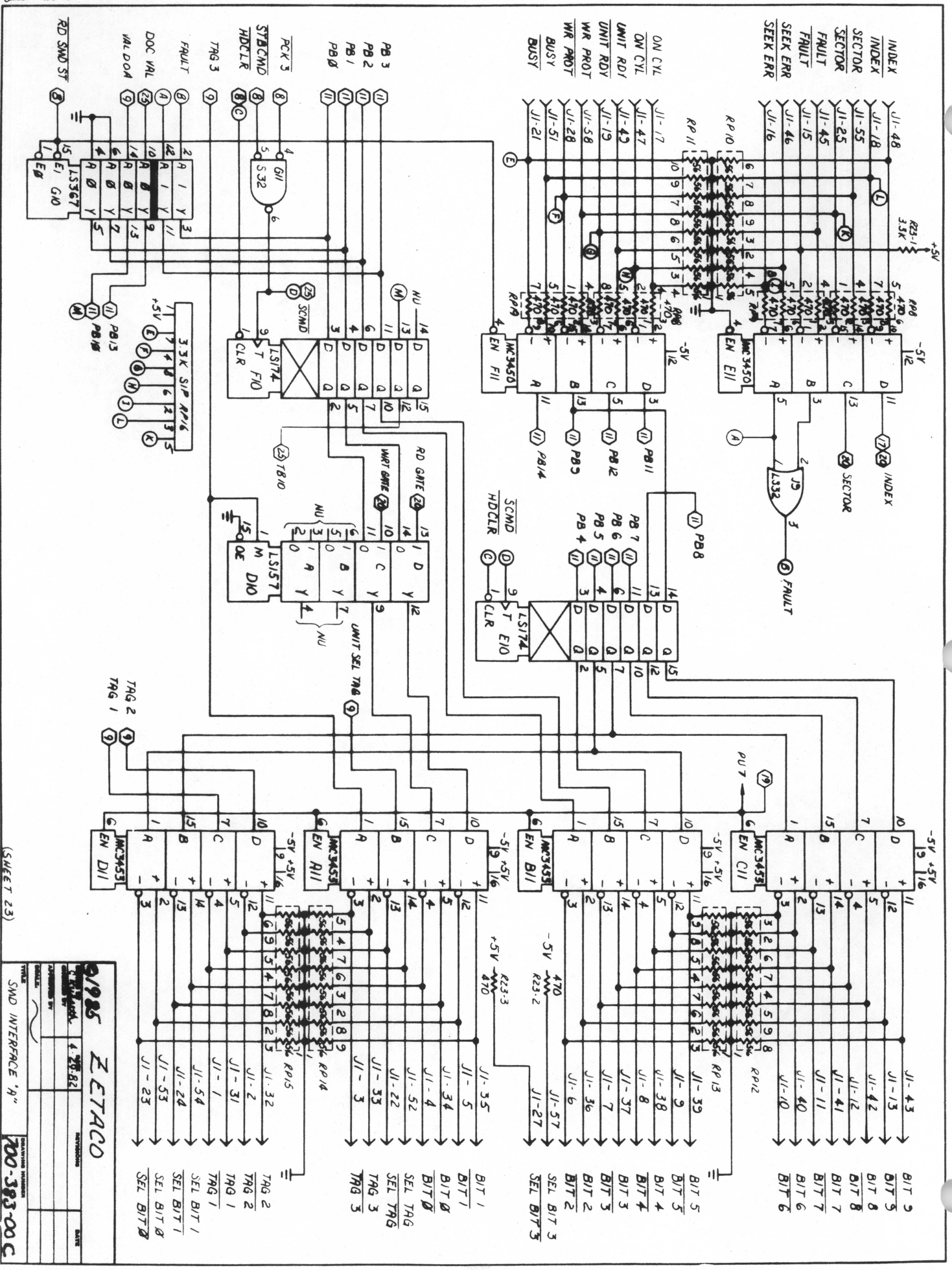


(2732)
 BANK 23
 BANK 22
 BANK 21
 BANK 20

(SHEET 22)

ZETACO	
DATE	4-28-82
DESIGNED BY	
CHECKED BY	
APPROVED BY	
FORMAT BANK SELECT	
700-383-000 C	

700383-000 B



91985 ZETACO

DATE: _____

DESIGNED BY: _____

CHECKED BY: _____

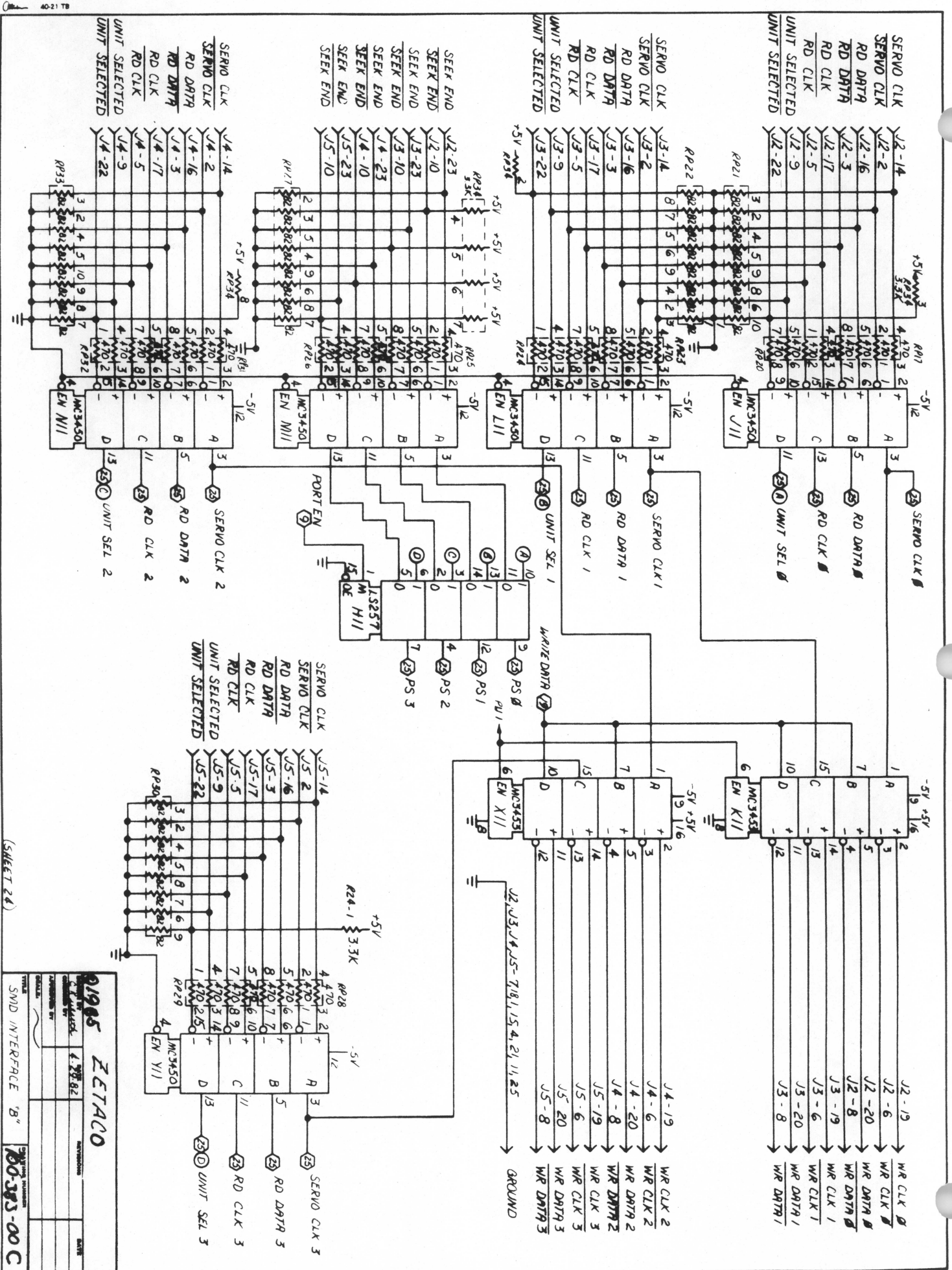
DATE: _____

REVISIONS:

NO.	DESCRIPTION	DATE

700-383-00 C

(SHEET 23)



(SHEET 28)

91905 ZETACCO

DATE: _____

REV: _____

BY: _____

CHKD: _____

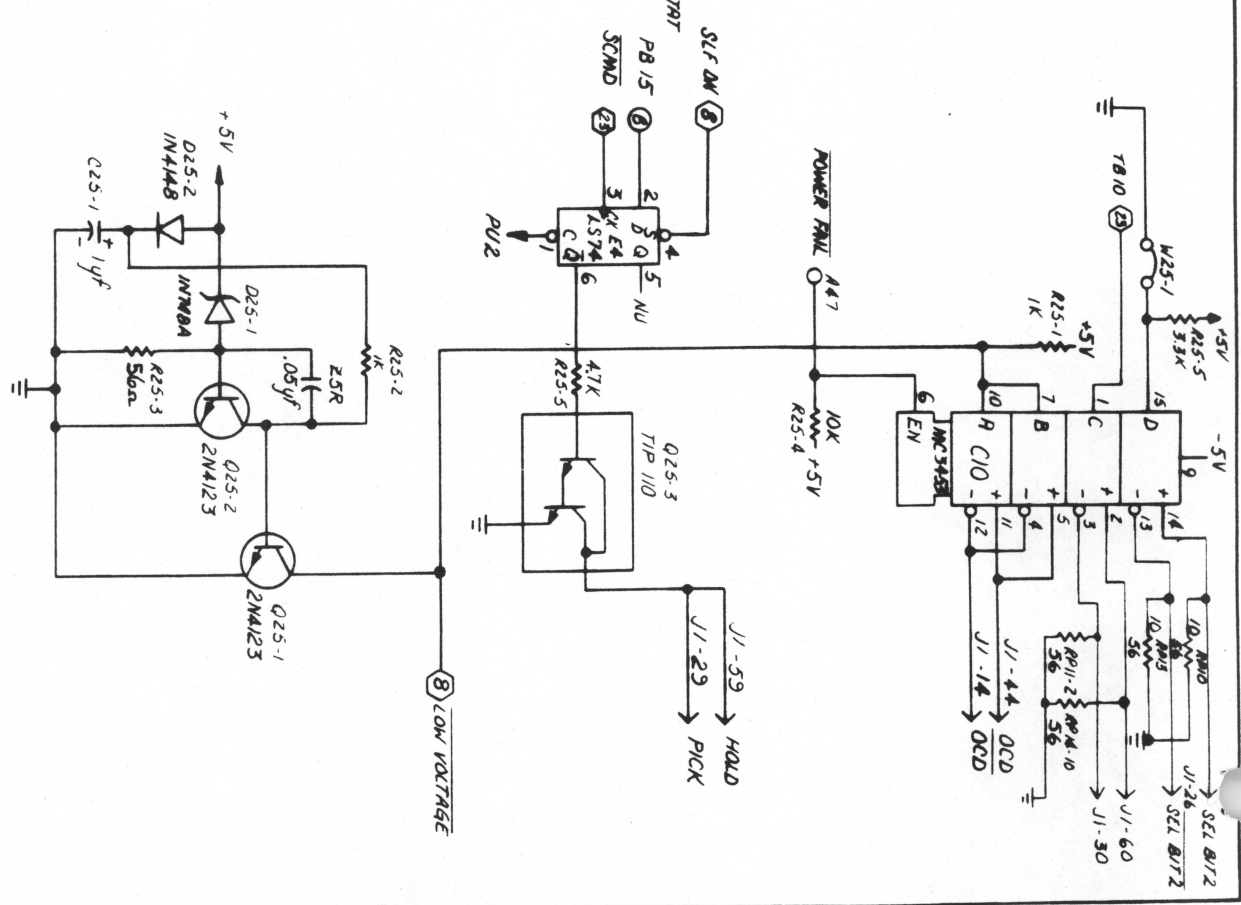
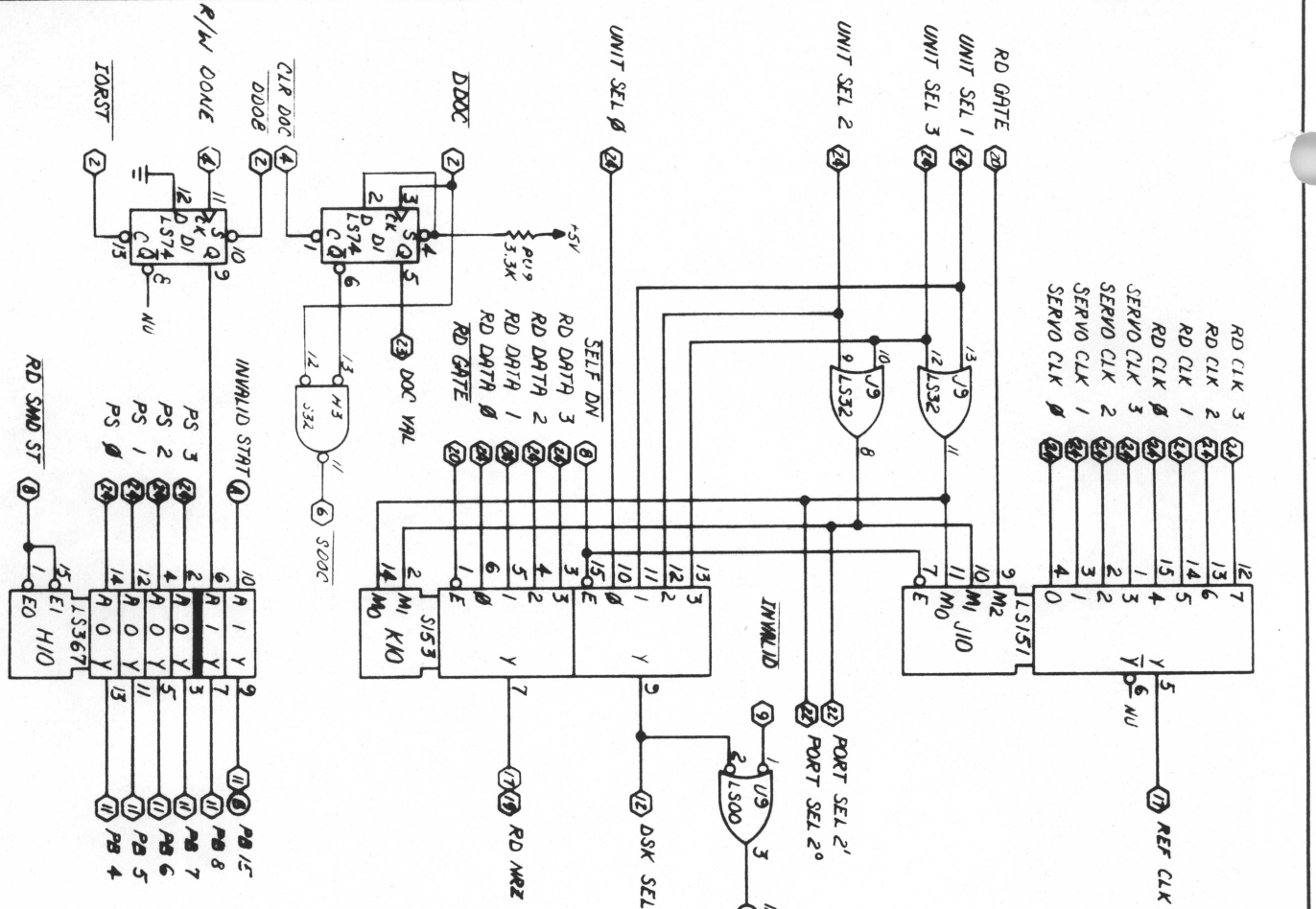
APP'D: _____

DESCRIPTION: SNID INTERFACE "B"

QUANTITY: _____

DATE: _____

700383-000 C



(SHEET 25)


01985 Z ETALCO	
DESIGNED BY	4-28-62
CHECKED BY	
DATE	
SMD INTERFACE CONTROL	
700-383-00C	

REVISION HISTORY		
ECO	DATE	DESCRIPTION
0096	2-22-83	SHEETS 5,15,17,25 AFFECTED
0103	3-10-83	CONNECT SCHEMATICS
0148	6-6-83	SHEETS 2,4,8
0149	6-16-83	SHEETS 4,8,9
0217	1-4-84	SHEET 17,18,20
0258	3-13-84	SHEETS 8,15,17,19,20,25
0283	5-30-84	SHEET 4
0336	6-29-84	SHEETS 4,5,8,14,16, 17,22,25,
0376	9-6-84	SHEET 17,18
0418	12-7-84	SHEETS 4,5
0511	10-85	SHEET 25

DC-295C

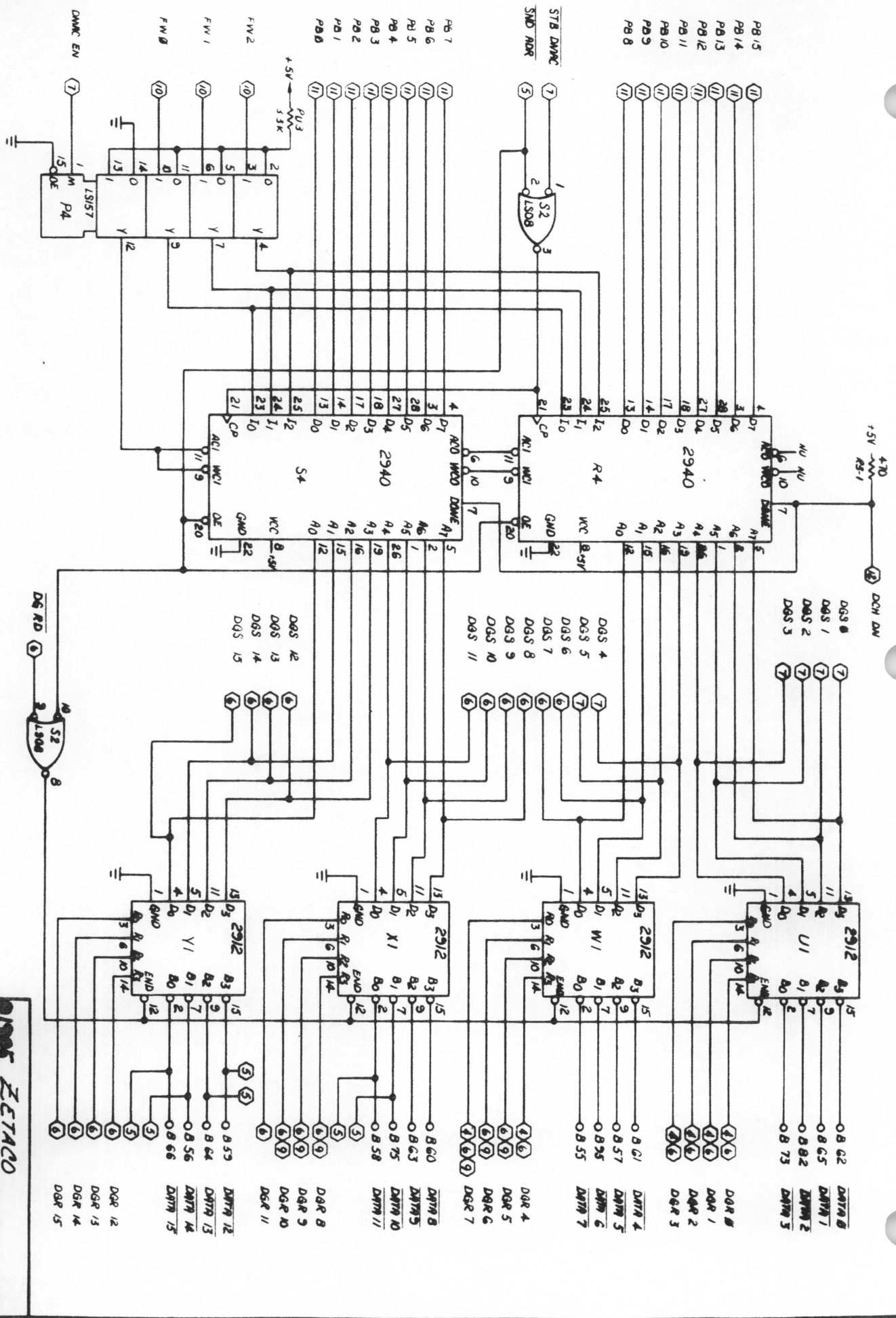
NOTE :
 1. NUMBERS FOUND WITHIN THE
 HEXAGON SYMBOLS INDICATES SHEETS
 WHERE CONTINUED LOGIC WILL BE FOUND
 EXAMPLE (2) = SHEET 2

(SHEET 1 OF 25)

	
PROJECT NO.	DC-295C
SHEET NO.	25
DATE	1985-10-08
DRAWN BY	[Signature]
CHECKED BY	[Signature]
APPROVED BY	[Signature]

700383-0008

700383-000 B



(SHEET 3)

ZETACO

DATE: 4.15.72

DESIGNED BY: _____

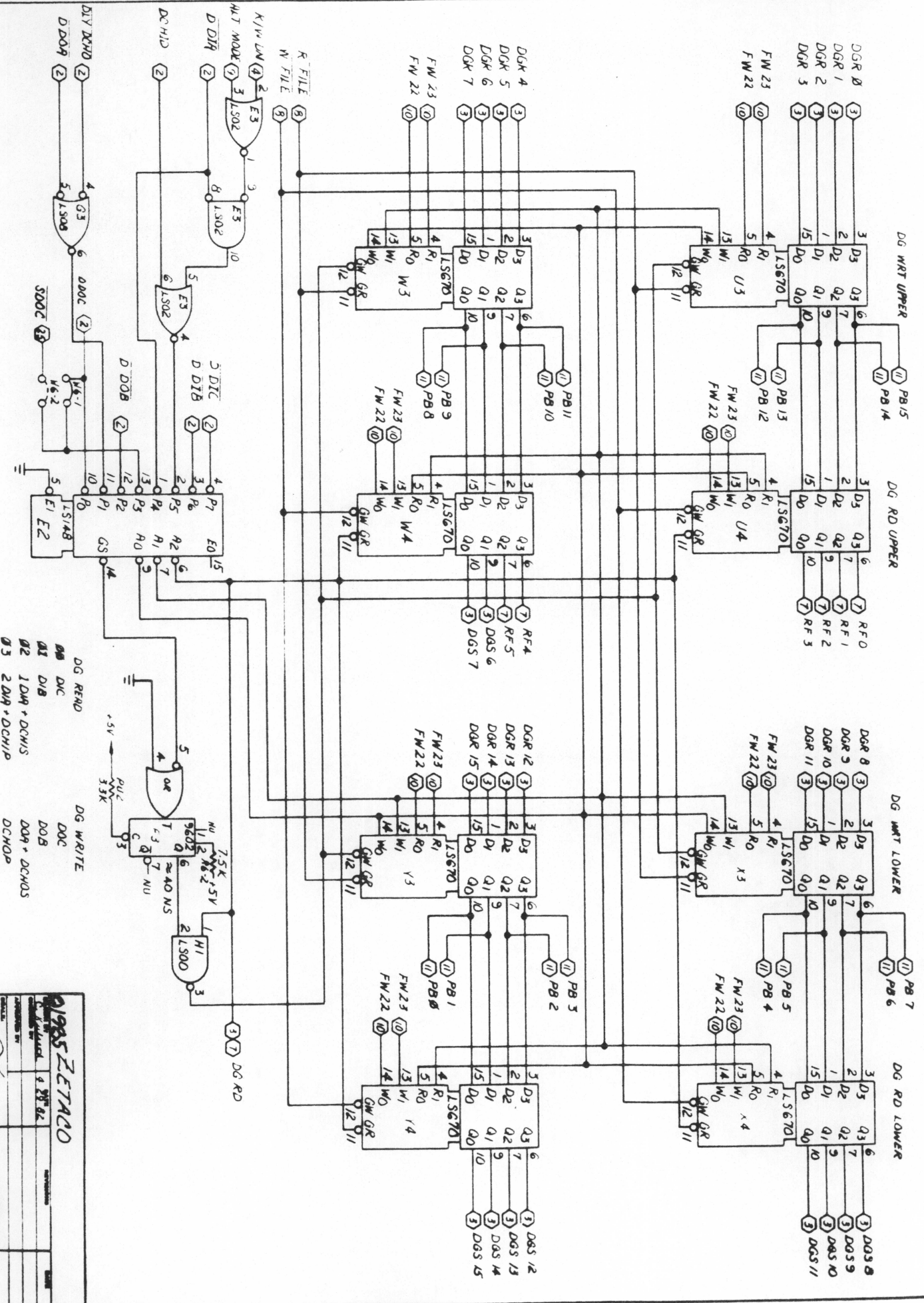
DRAWN BY: _____

CHECKED BY: _____

APPROVED BY: _____

DCH DR/ACC & NOOK GEN

700-383-000 C

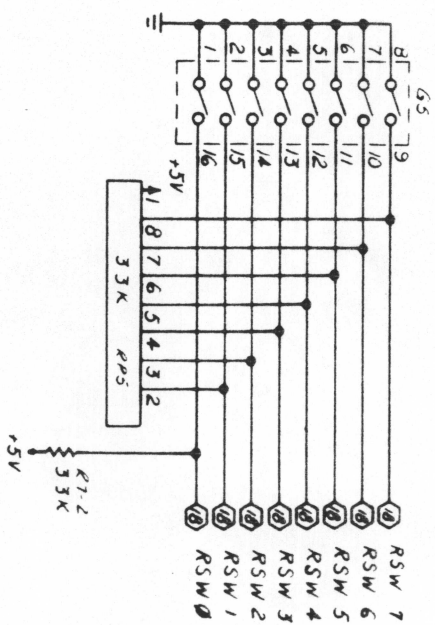
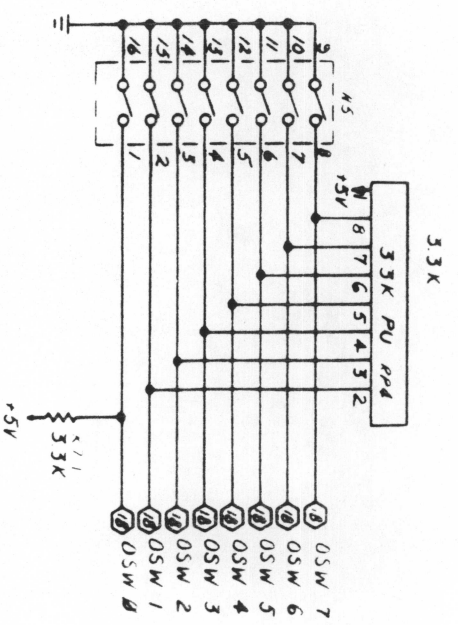
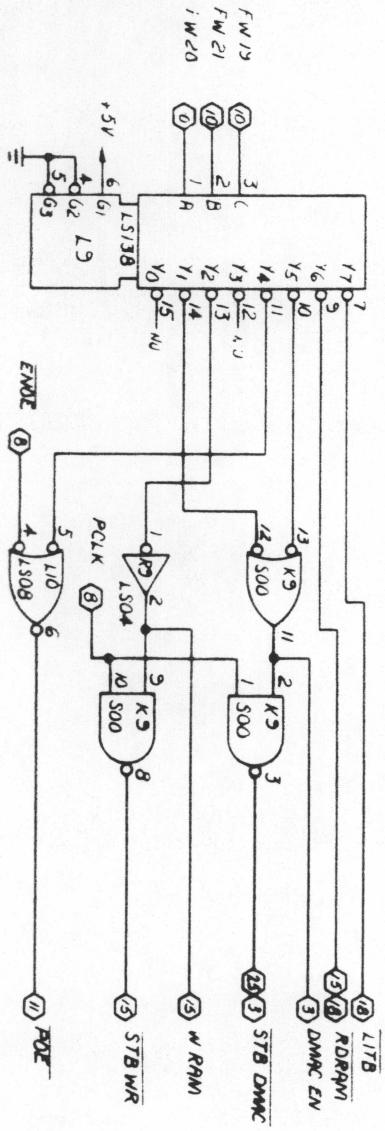
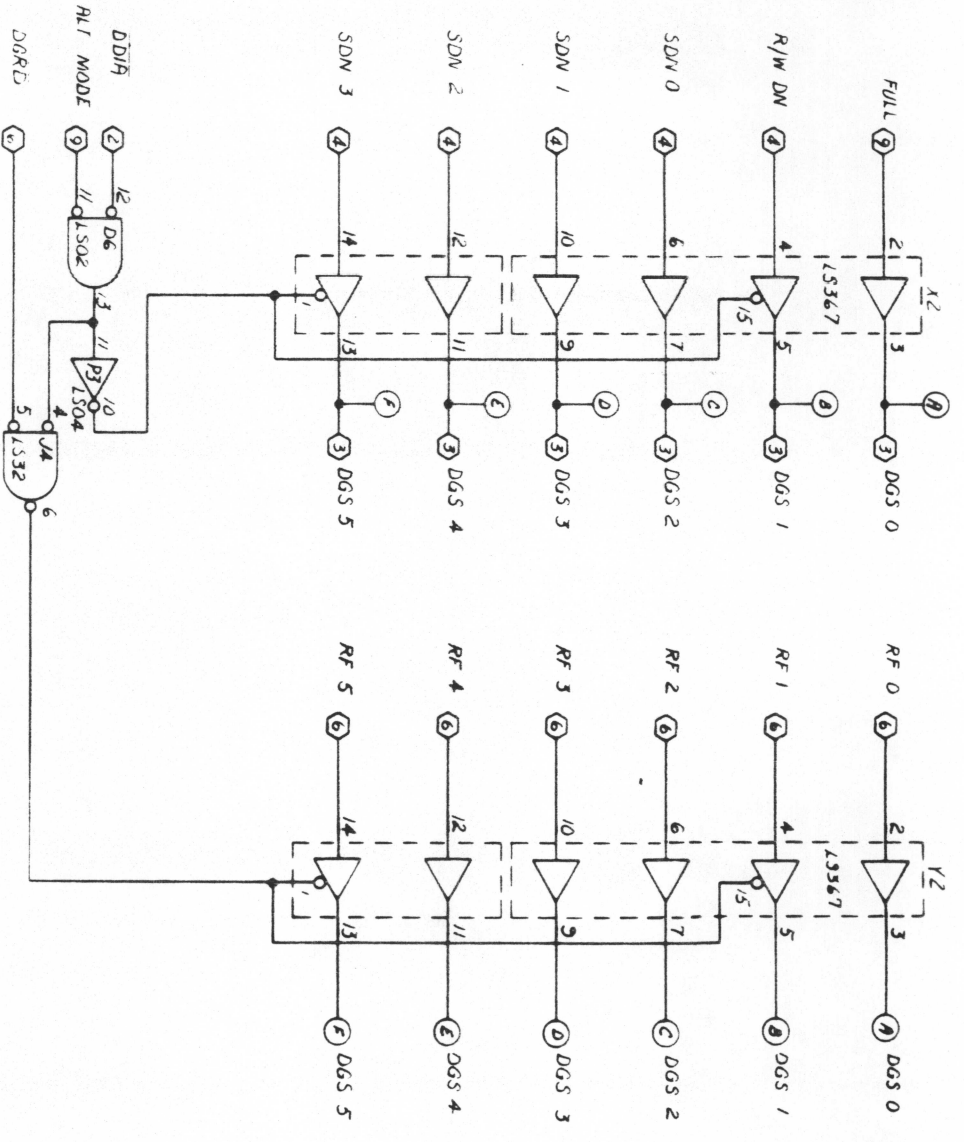


01985 ZETACO

REGISTER FILE

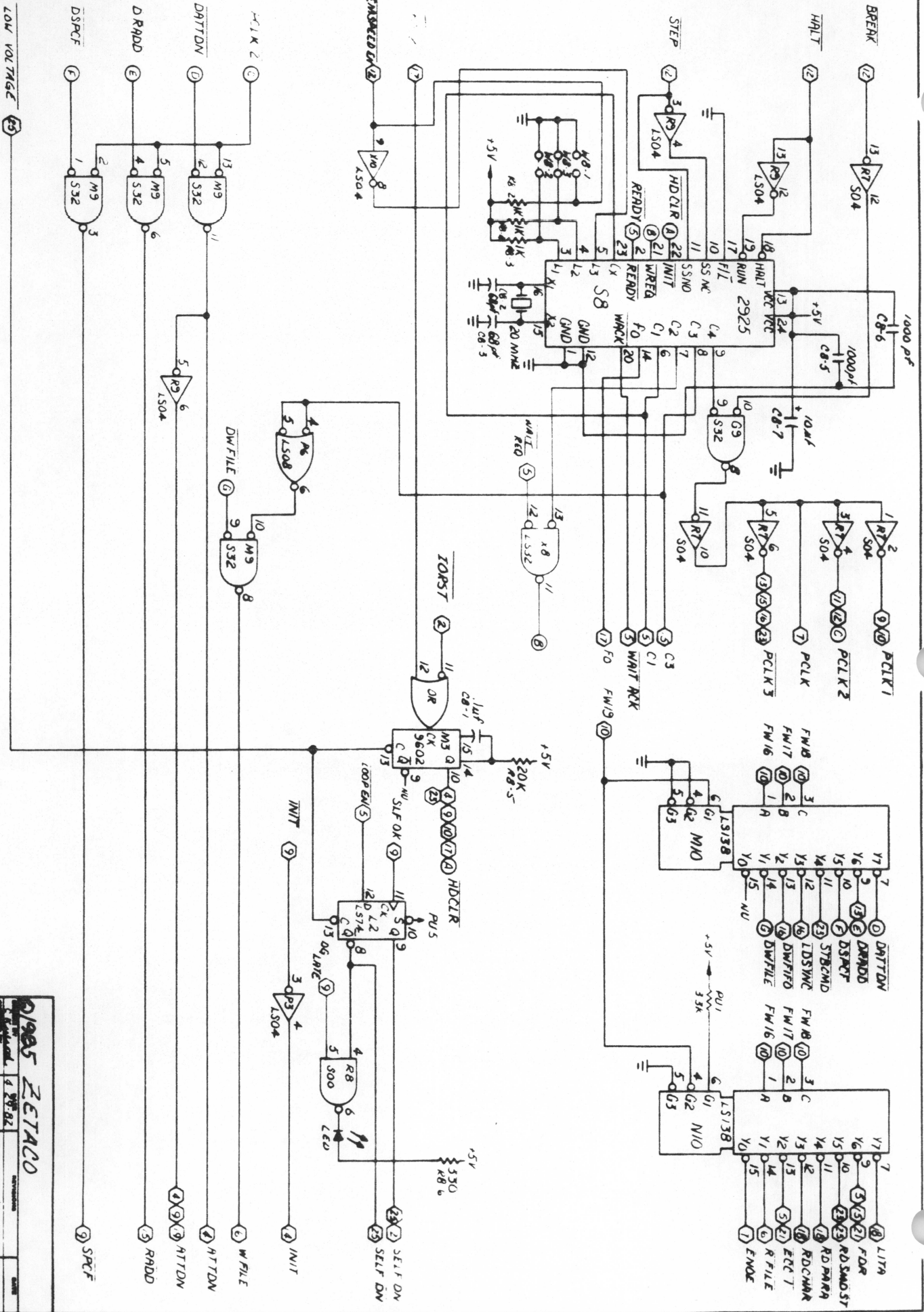
700-383-000 C

700385-000 B



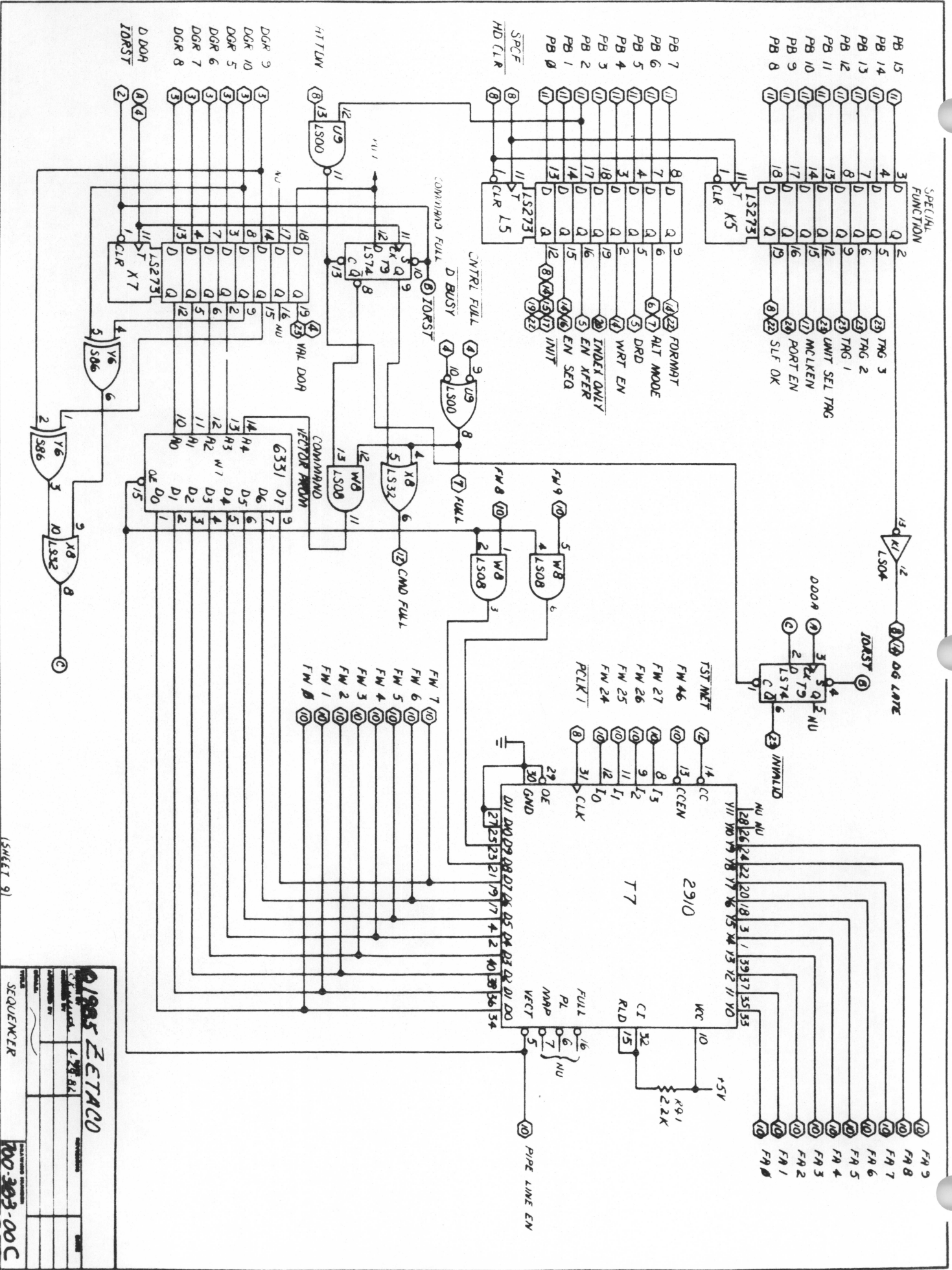
(SHEET 7)

01985 ZETA20
 S.K. KAWADA
 4 29 82
 D/A DRIVER
 700-385-000



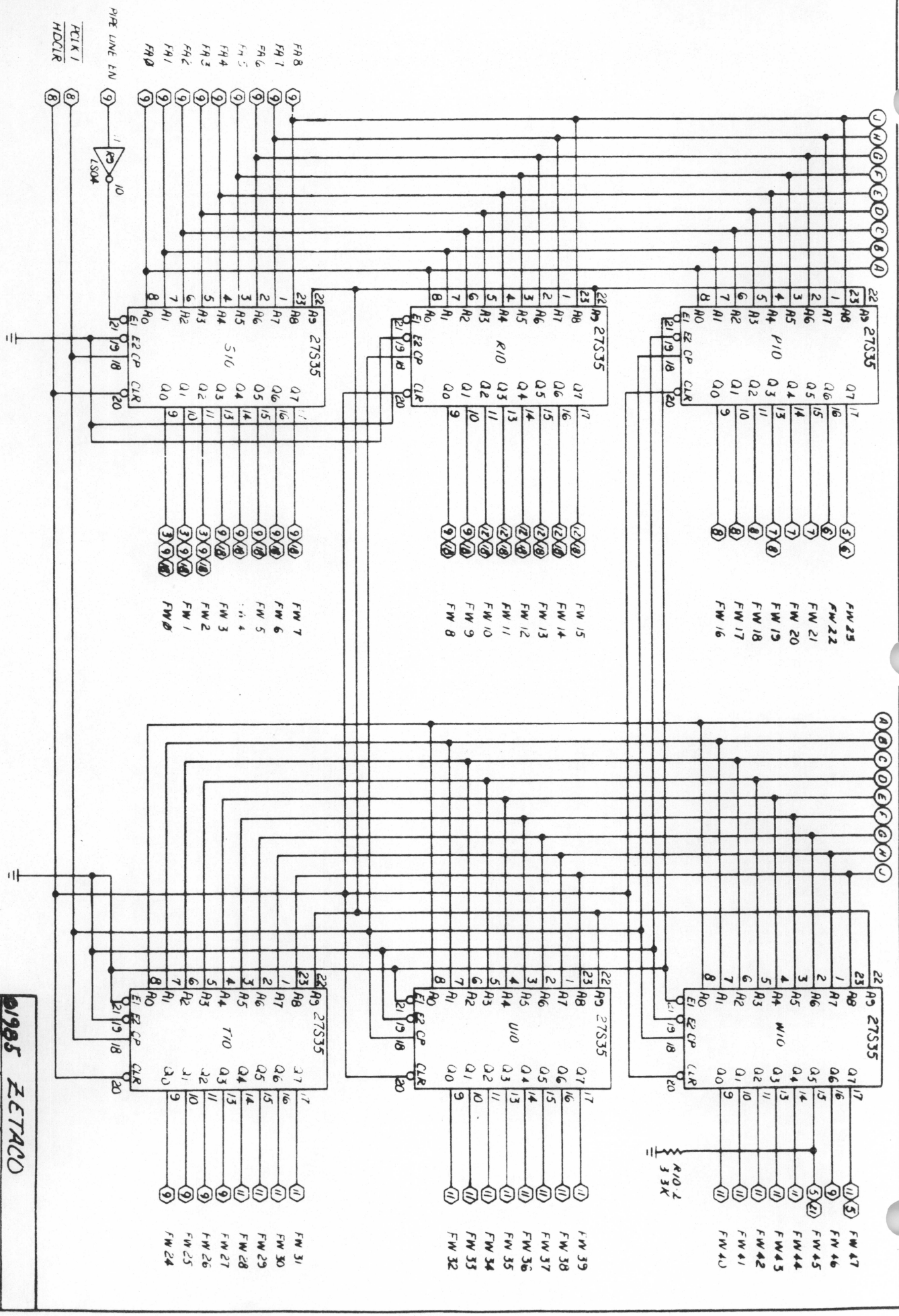
<p>Q1985 ZETACO</p>	
<p>MODEL: 4 28 82</p>	<p>REVISION: 01</p>
<p>DATE: 11/18/82</p>	<p>DESIGNER: []</p>
<p>DR: []</p>	<p>CHECKED: []</p>
<p>APPROVED: []</p>	<p>DATE: []</p>
<p>PROJECT: MICRO CONTROL</p>	<p>700-383-00 C</p>

700383-000B



(SHEET 9)

91985 ZETAC0	
DATE	4-28-82
DESIGNED BY	
CHECKED BY	
TRIAL	
SEQUENCER	
700-303-00C	



SHEET 101

01985 ZETACO

DATE: 4/82

DESIGNED BY: []

CHECKED BY: []

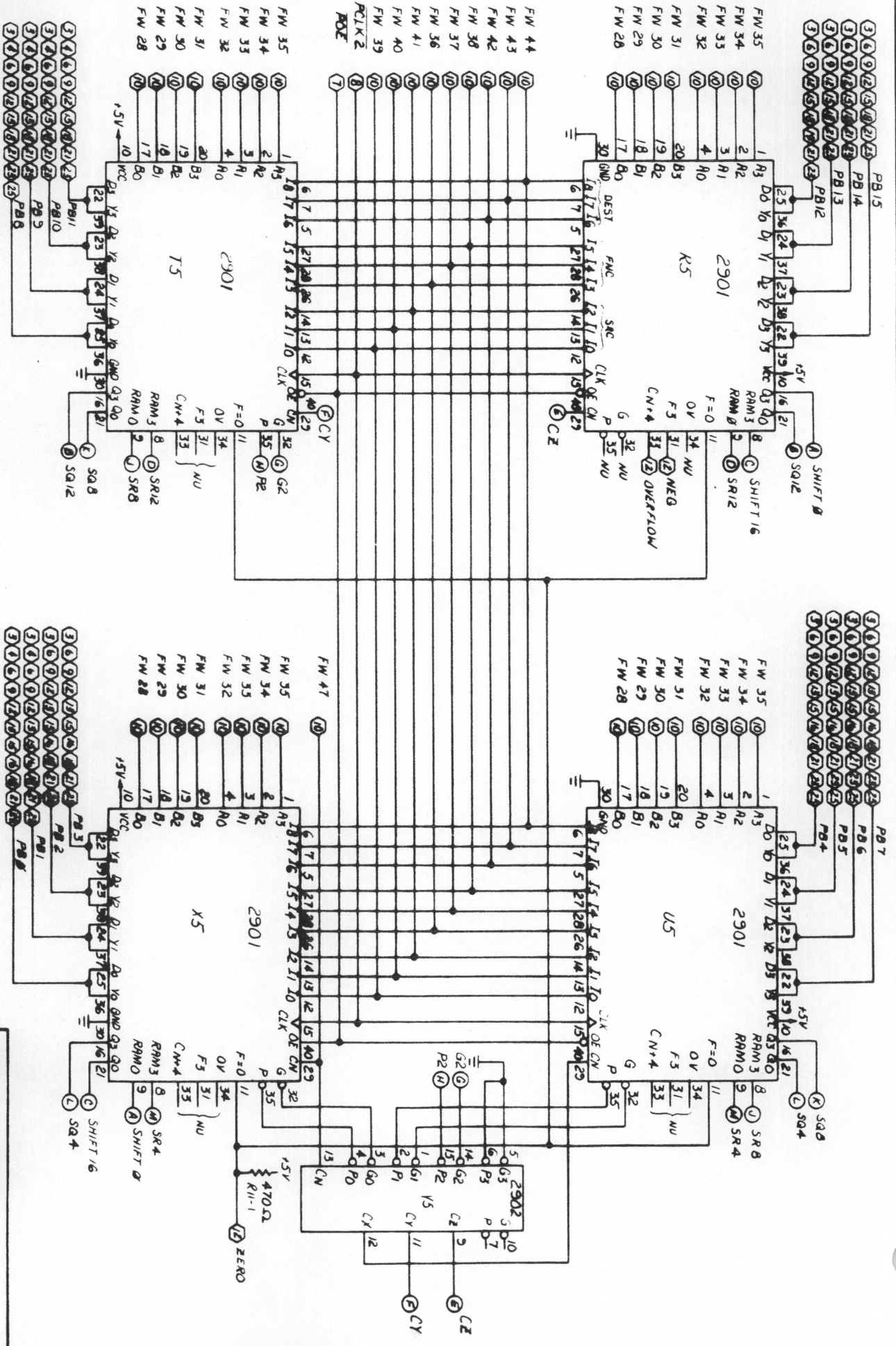
APPROVED BY: []

DATE: []

TIME: []

FIRMWARE

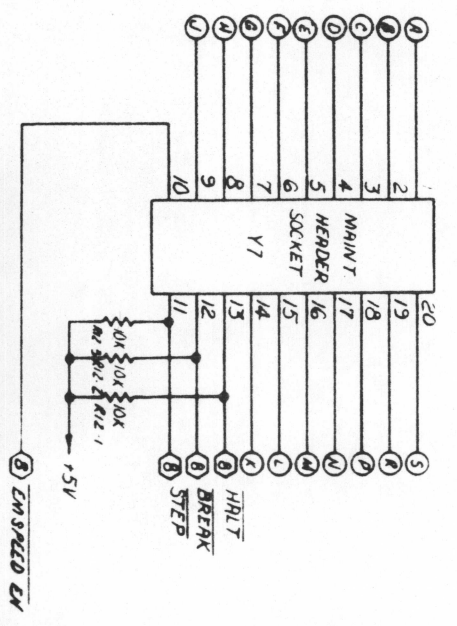
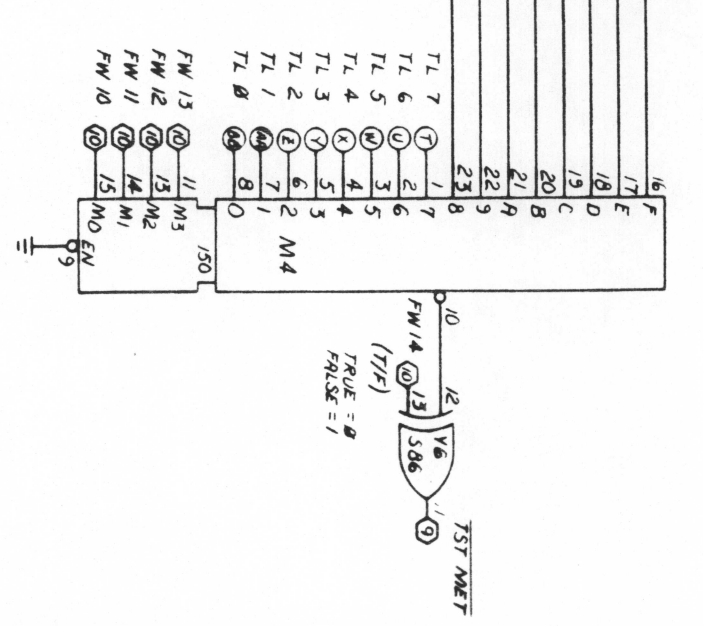
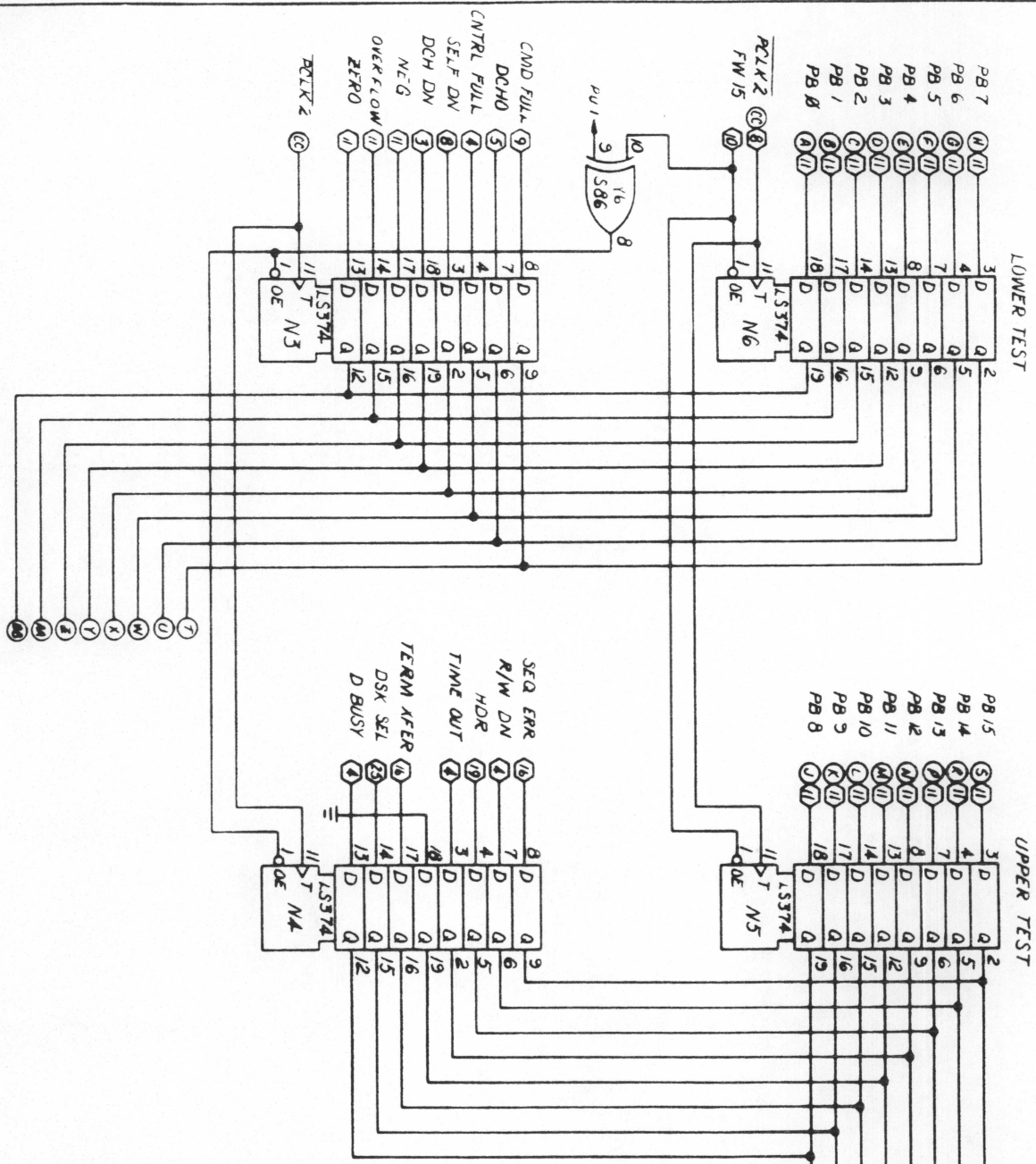
700-383-00C



700393-000 B

(SHEET 1)

ZETACO	
Part No.	700393-000
Quantity	
Comments	
DATE	
DESIGN	
PROCESSOR	
700393-000 C	



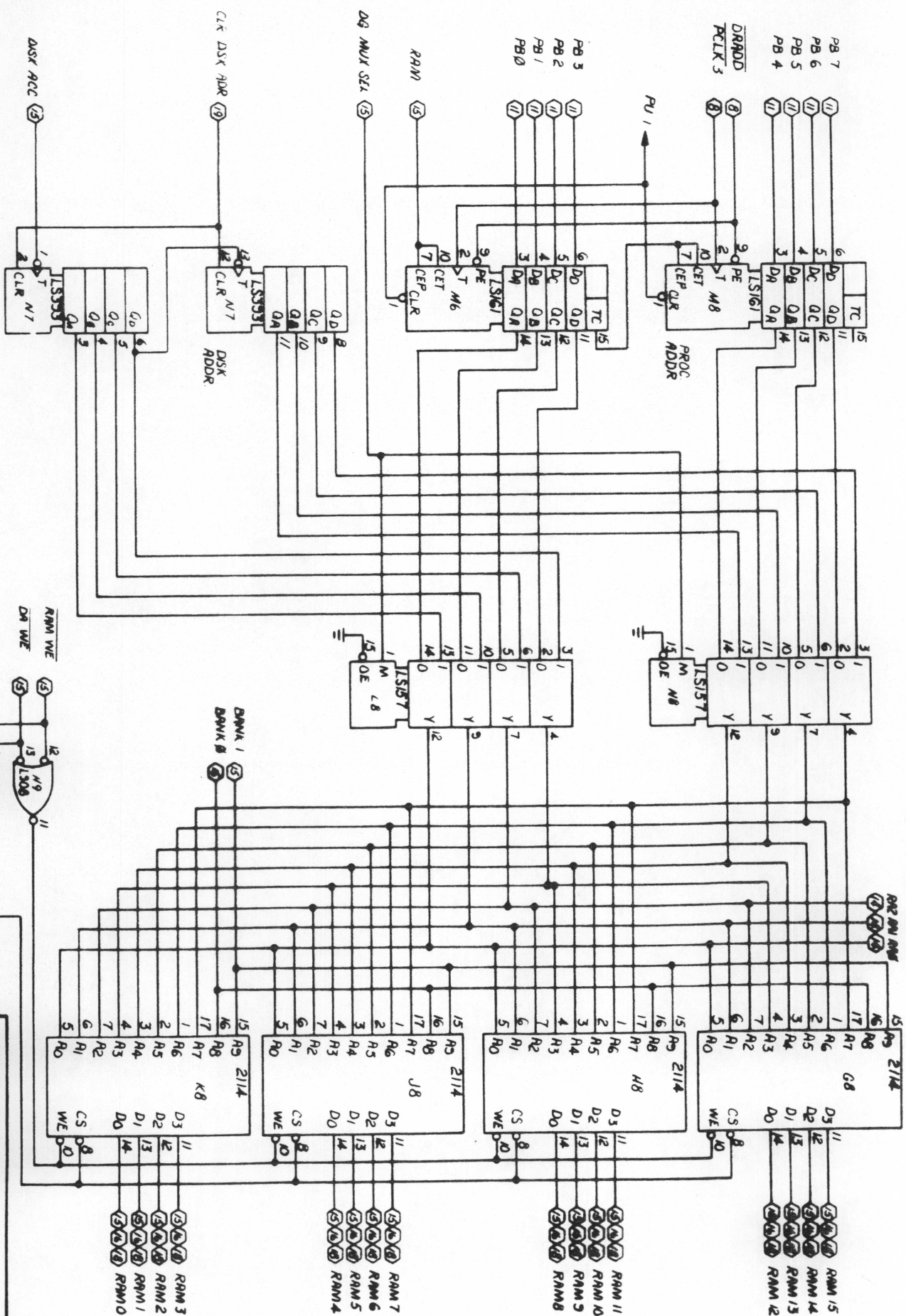
(SHEET 12)

ZETACO

01985

TEST CONDITION

700-383-00 C



(SHEET 3)

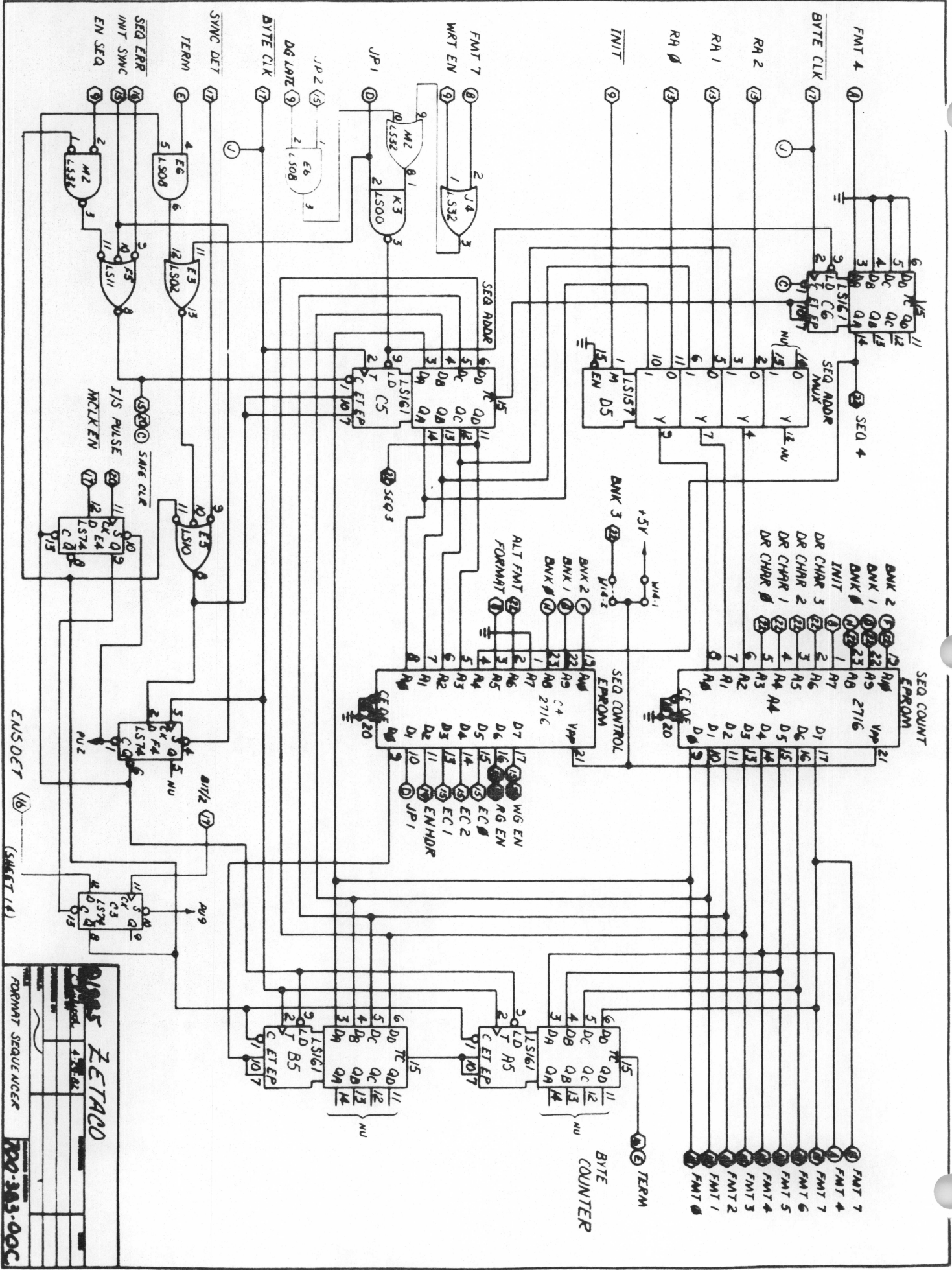
1985 ETACO

42881

MEMORY

700-905-00 C

700383-000 B



ENS OET (16) (SHEET 14)

ZETACOD

FORMAT SEQUENCER

700-383-000

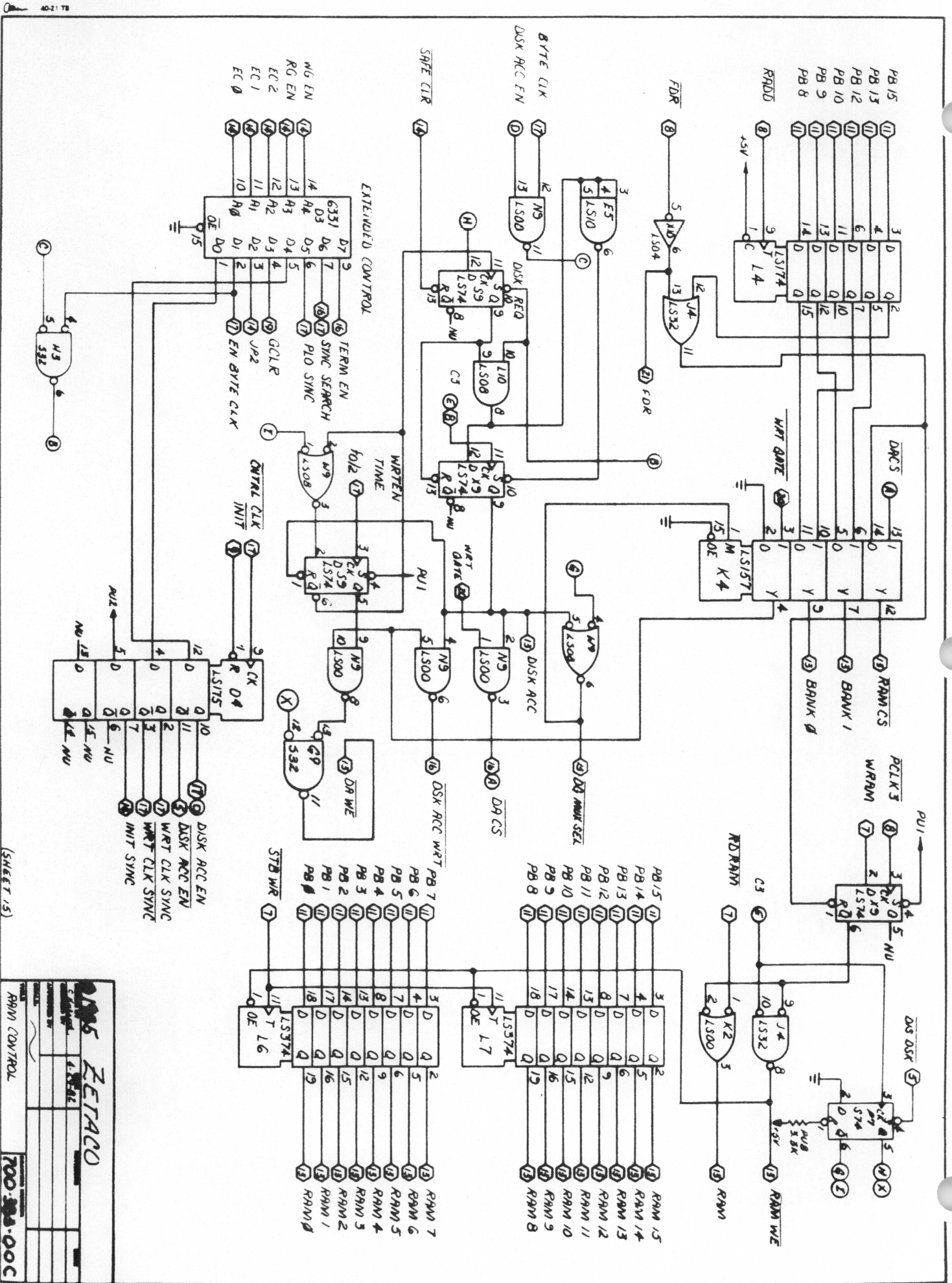
DATE: _____

REV: _____

BY: _____

CHKD: _____

APP'D: _____

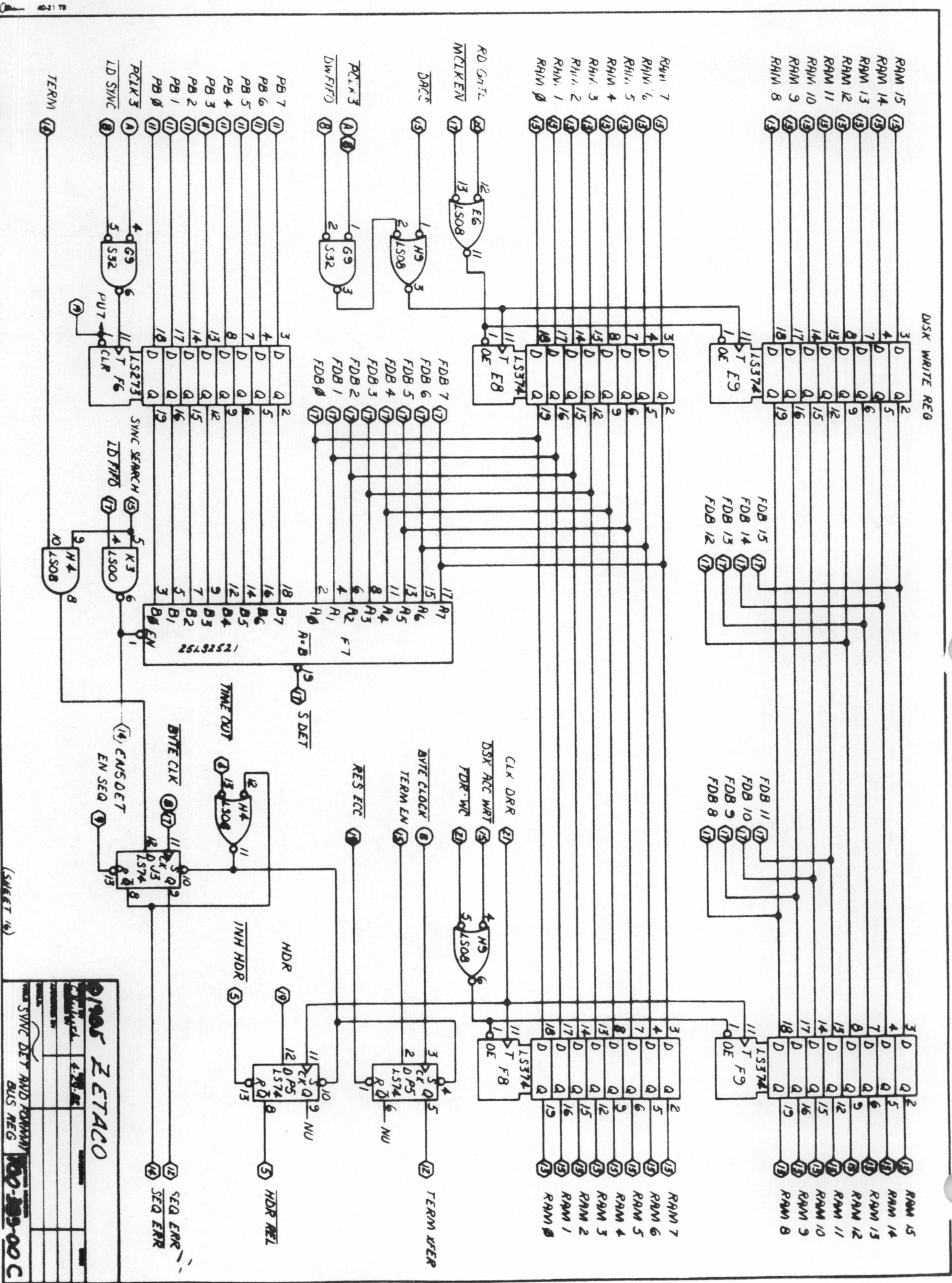


(SHEET 15)

ZETACO

RAM CONTROL

700-383-0008



(SHEET 16)

ETACO

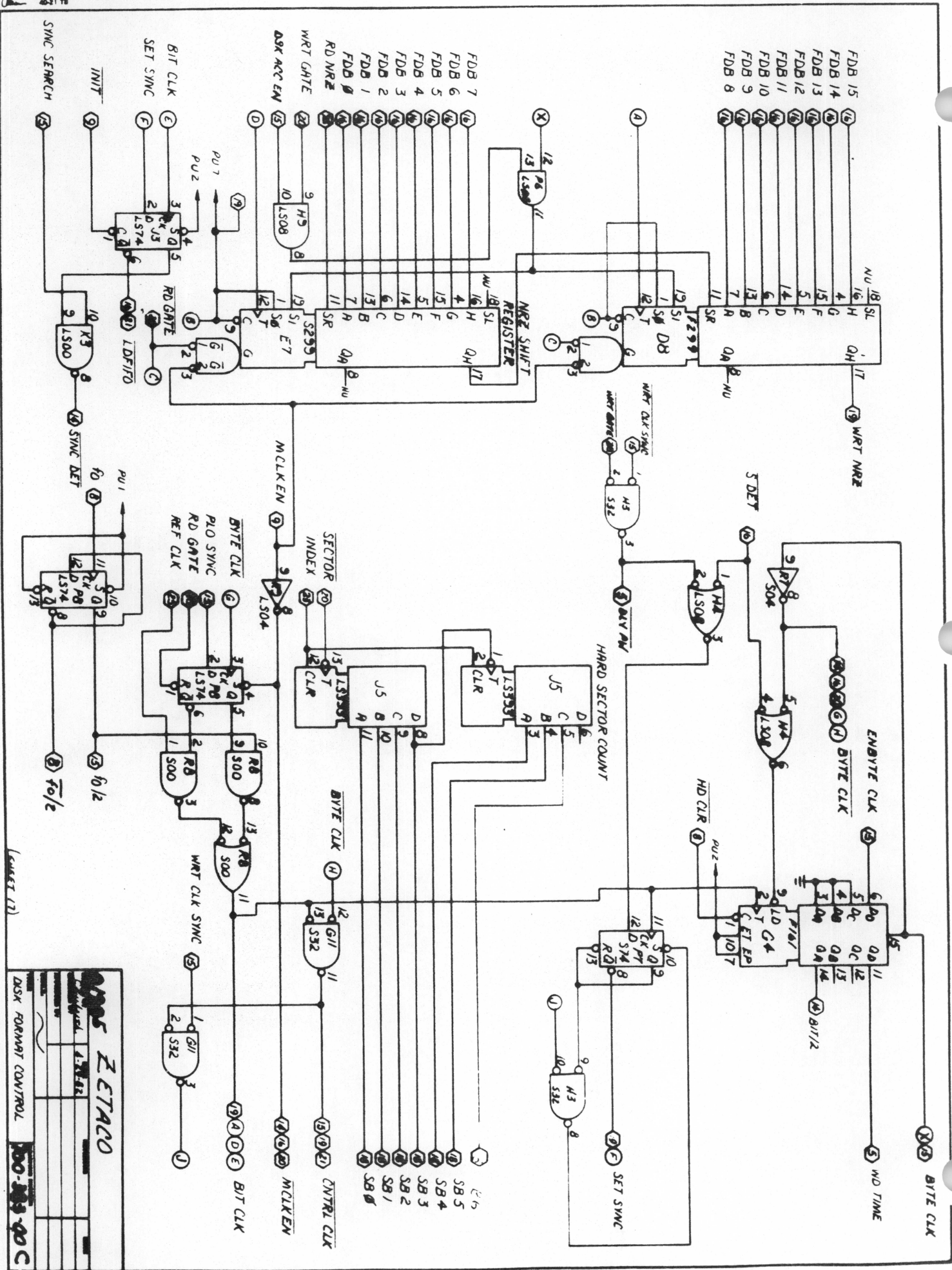
4-78-8R

100-809-00C

SWIC DET RAND FORM

BUS REG

700303-0008



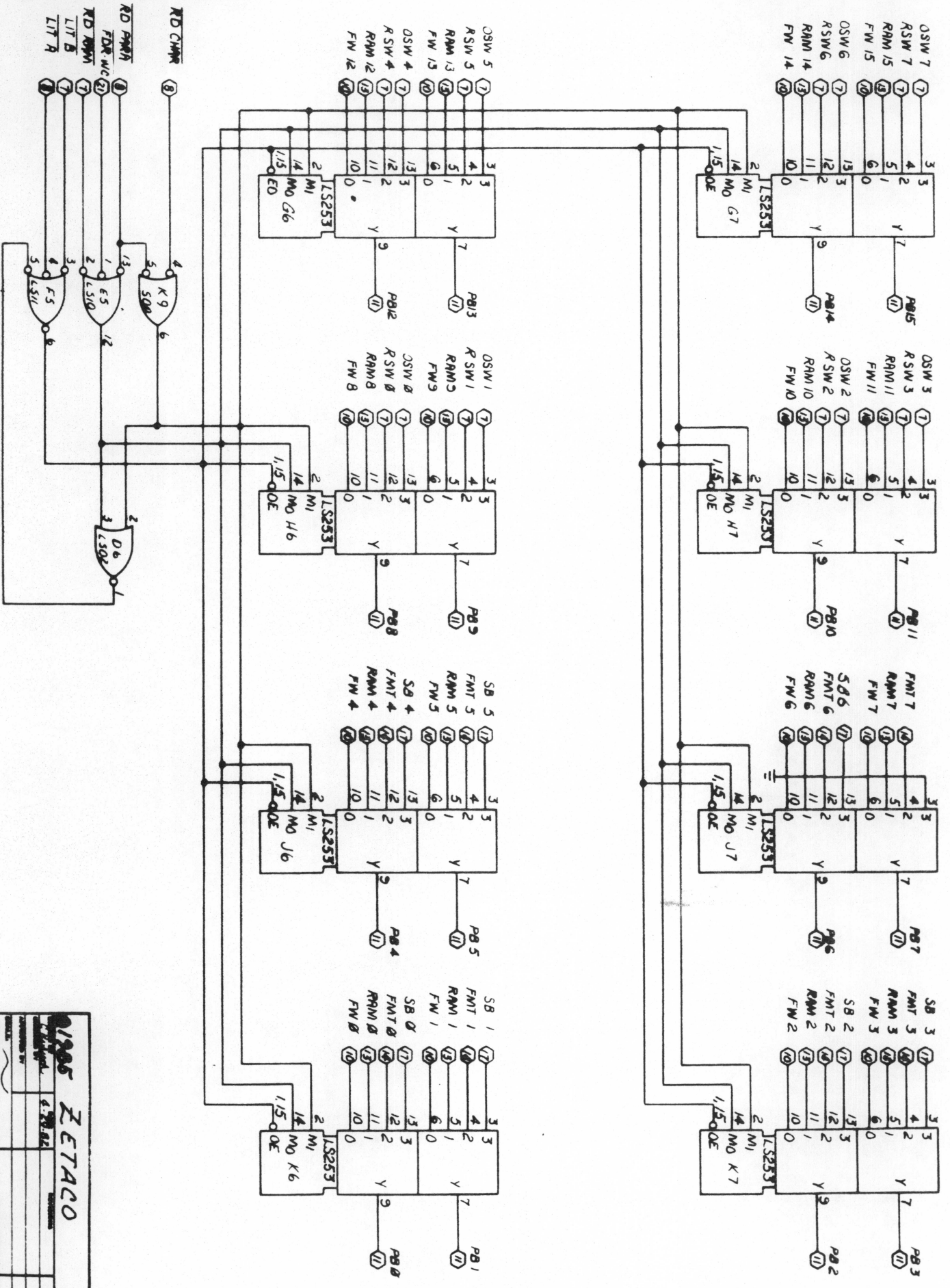
Z ETACD

Model	1-3-7-8-8
Part No.	
Rev.	
Quantity	
Unit Price	
Total Price	

DISK FORMAT CONTROL

PAGE 12

700383-000 B

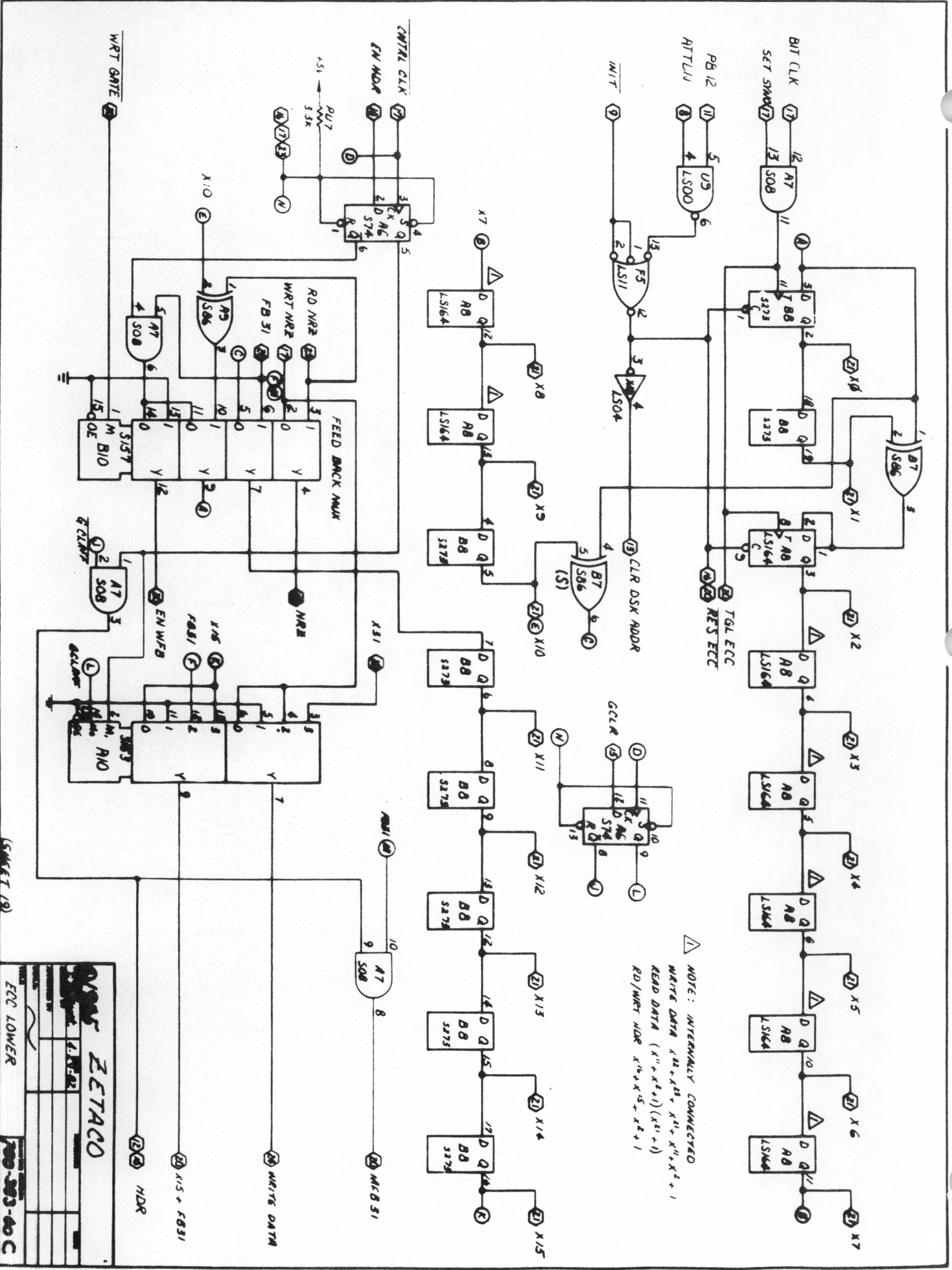


(SHEET 18)

1995 ZETACO

PB READ MATRIX

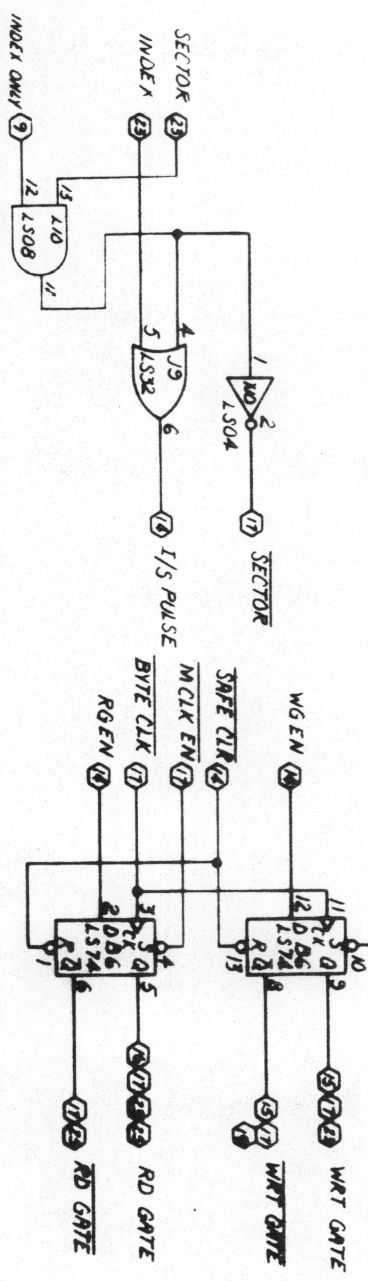
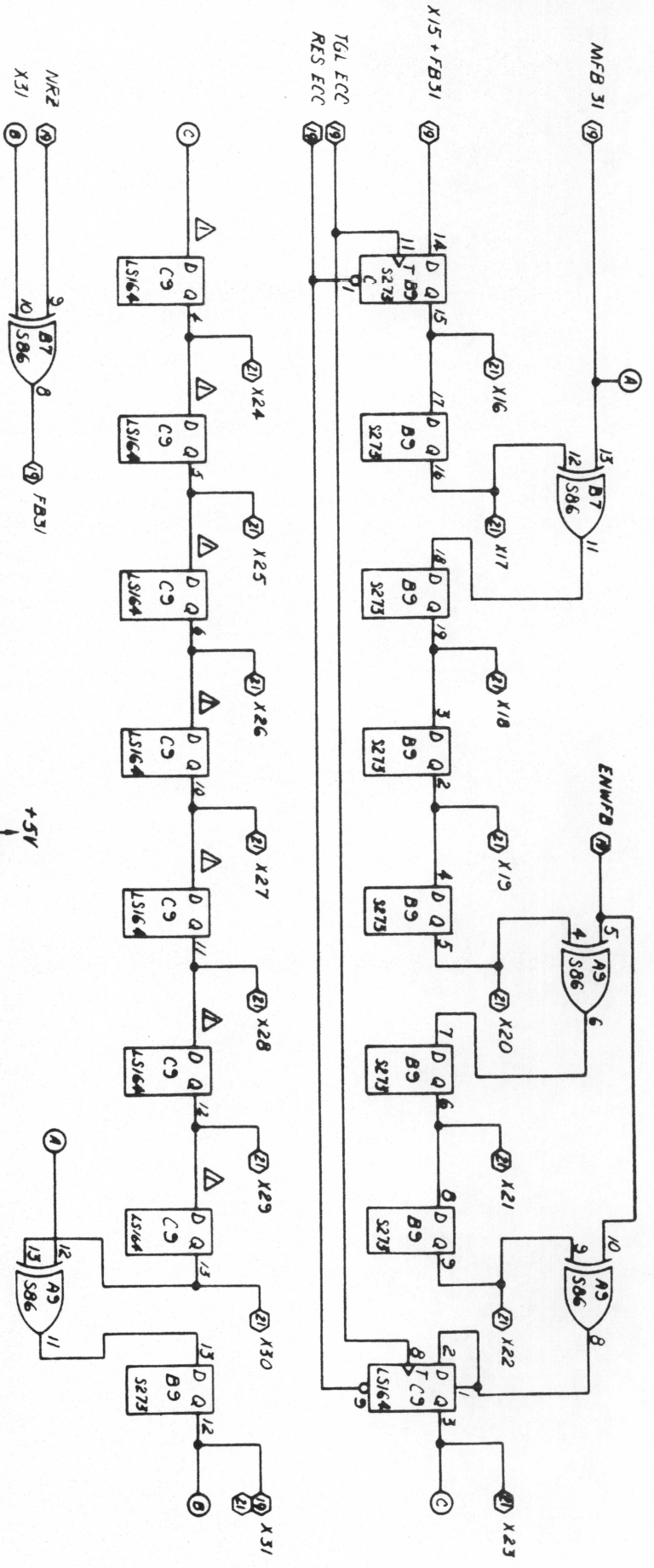
700-383-00 C



ZETACO

700-383-000 C

ECC LOWER

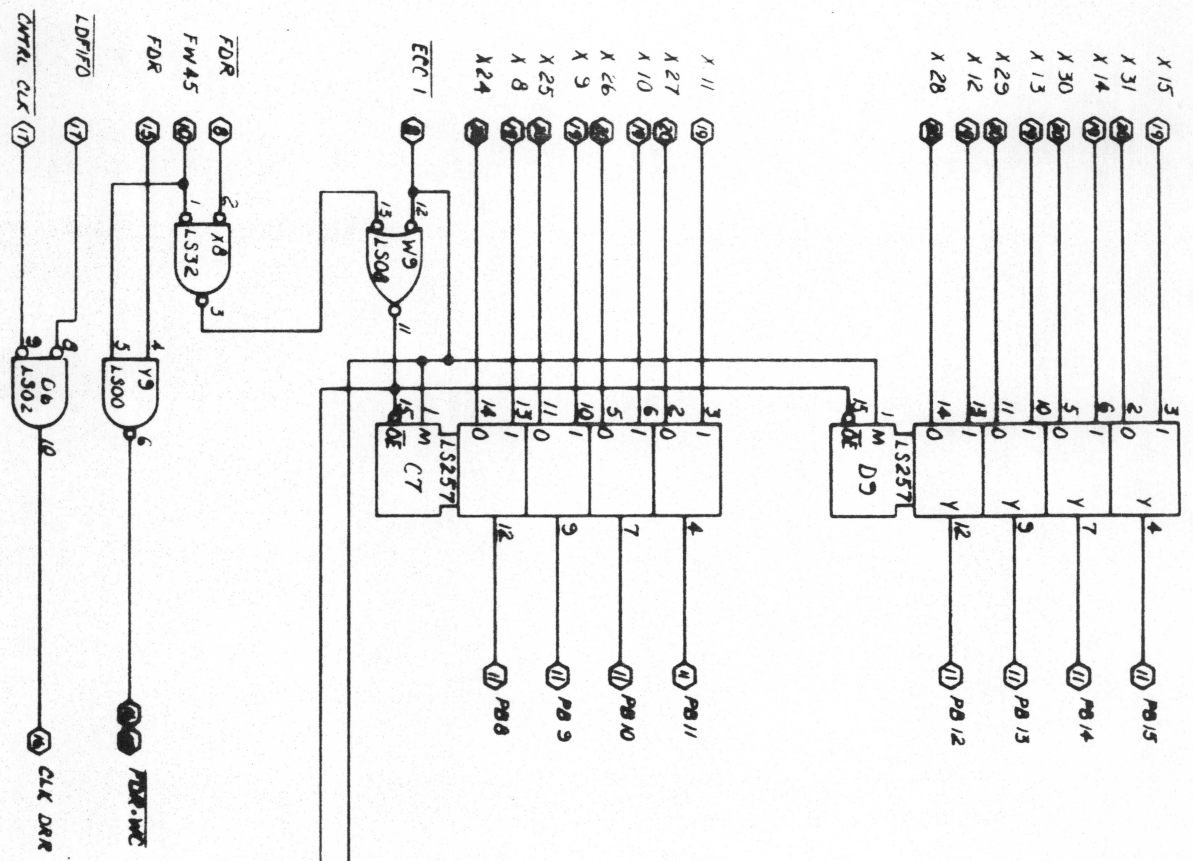


▲ NOTE: INTERNALLY CONNECTED

01905 ZETACO	
DATE	1-15-82
BY	
APPROVED	
REVISION	
NO.	
ECC UPPER	
700-393-00 C	

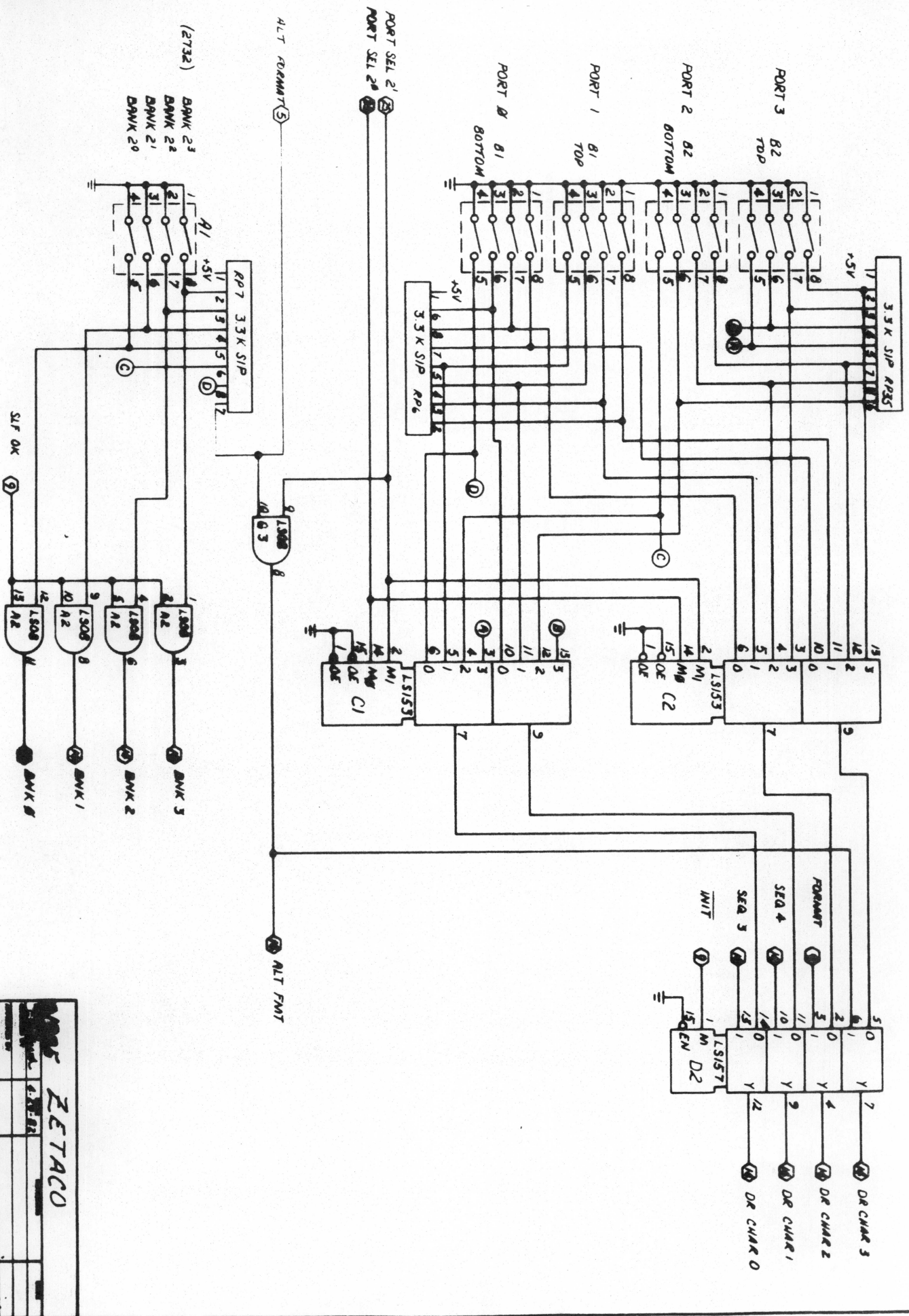
700393-000 B

(SHEET 20)



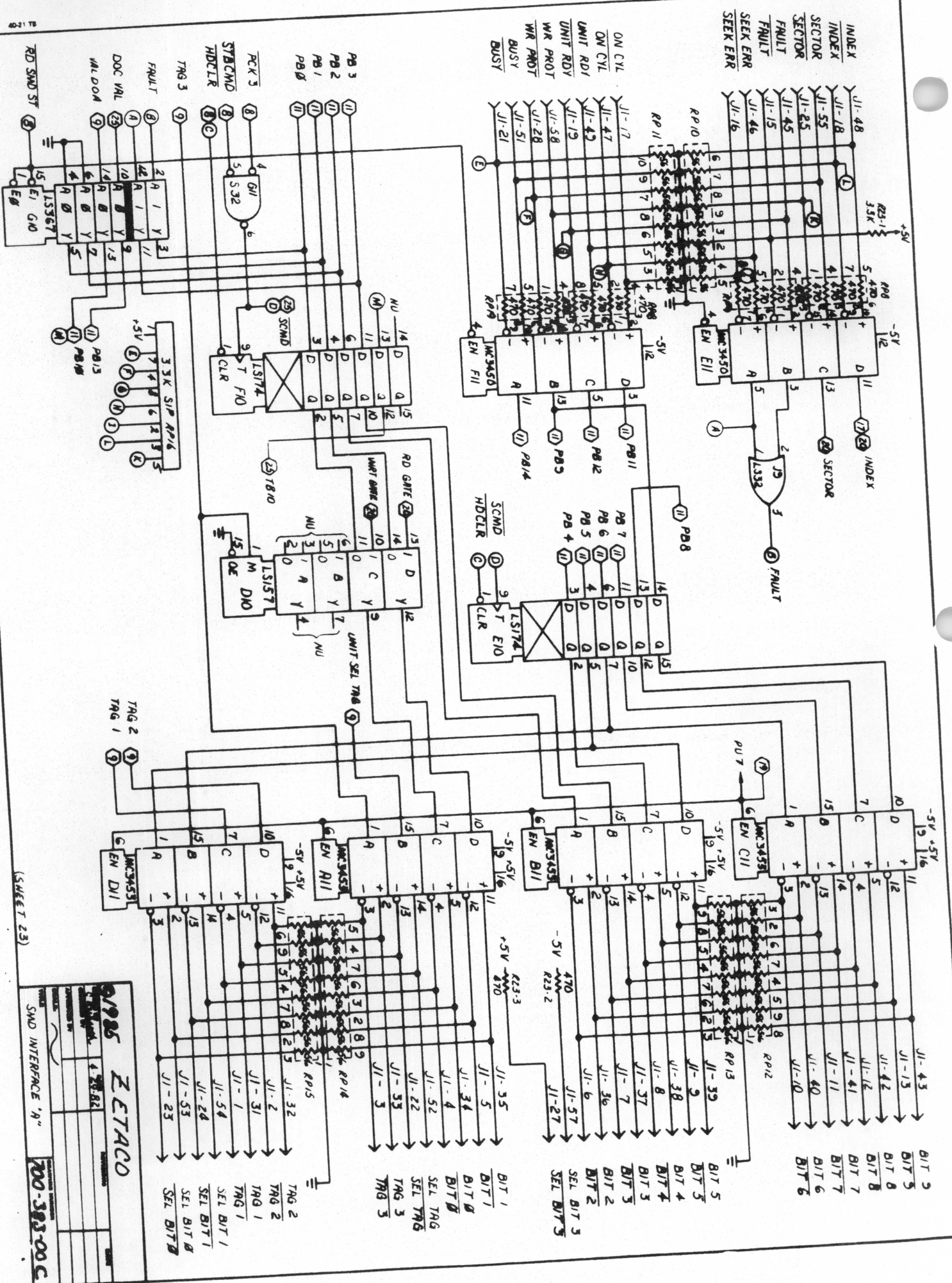
SHEET 21

ZETACO	
DATE	4-2-82
DESIGNED BY	
CHECKED BY	
APPROVED BY	
ECC OUT PUT SELECT	
700-983-00 C	



(SHEET 22)

ZETACO	
DATE	4.2.68
DESIGNER	
CHECKED	
APPROVED	
FORNIGHT BANK SELECT	700-393-00 C



INDEX
INDEX
SECTOR
SECTOR
FAULT
FAULT
SEEK ERR
SEEK ERR

ON CYL
ON CYL
UNIT RD1
UNIT RD2
WR PROT
WR PROT
BUSY
BUSY

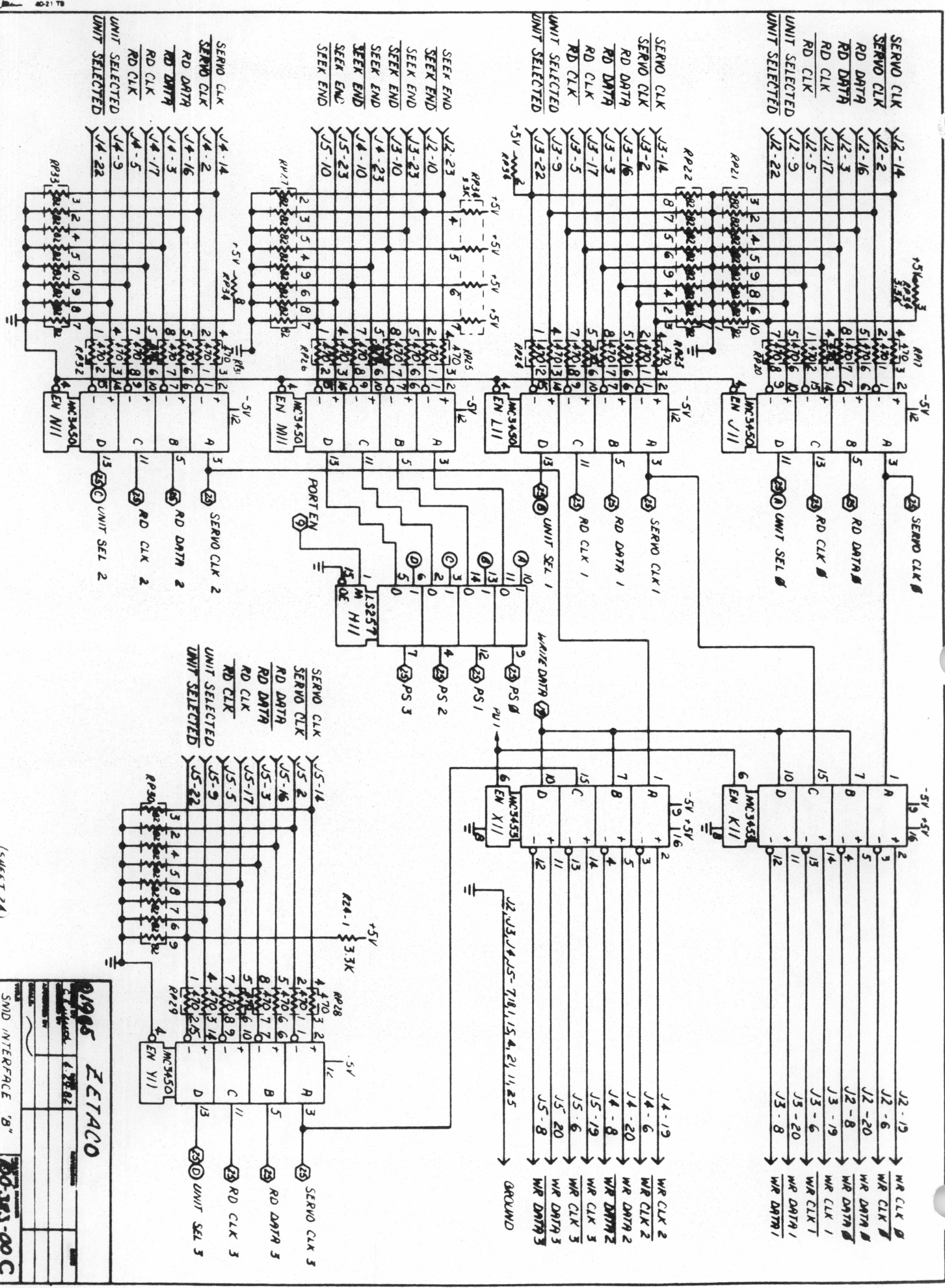
PB 3
PB 2
PB 1
PB 0

01925
ZETACO
SMD INTERFACE '90'

DATE	REV	BY	CHKD

700-383-00 C

(SHEET 23)



(SHEET 24)

01905 ZETACO

DATE: 4-28-82

DESIGNED BY: [Signature]

CHECKED BY: [Signature]

APPROVED BY: [Signature]

WORKSHEET NO. [Blank]

REVISIONS: [Blank]

DATE: [Blank]

BY: [Blank]

REASON: [Blank]

NO. OF SHEETS: [Blank]

SHEET NO.: [Blank]

700383-000 C

