

MX-420

REVISION HISTORY	
E.O.	DESCRIPTION
0165	8-10-83 CHANGED SHEET 1, 5, 6
0174	8-16-83 CHANGED SHEETS 1, 4
0233	12-5-83 SHEET 4
0497	10-85 SHEET 5

NOTE

1. NUMBERS FOUND WITHIN THE HEADLINE  
SYMBOLS INDICATE SHEETS WHERE  
CONTINUED LOGS HAVE BEEN FOUND  
EXAMPLE: ( ) SHEET 2

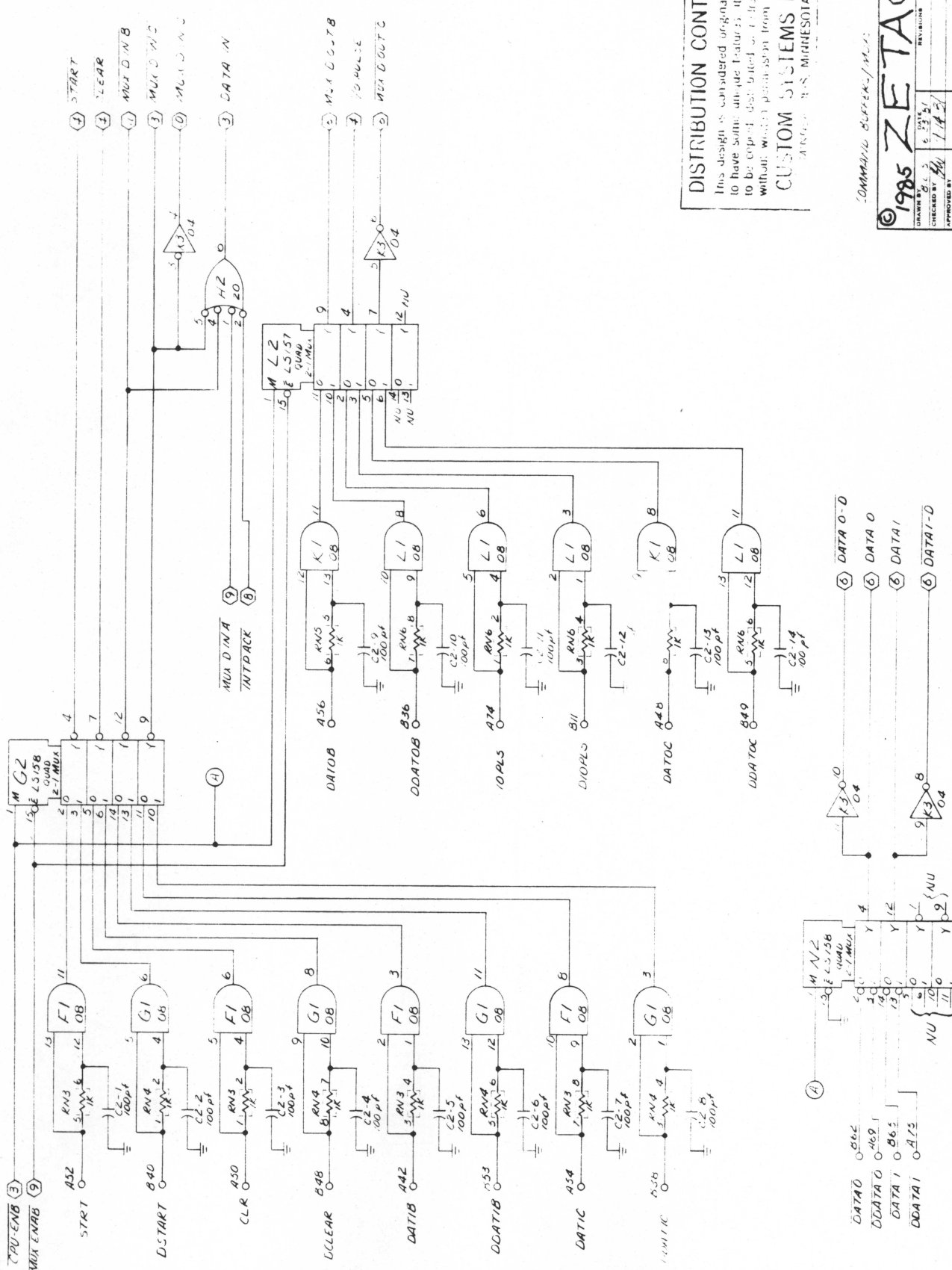
**DISTRIBUTION CONTROL**  
This design is considered original and is  
to have some unique features. It is not  
to be copied, distributed or redrawn  
without written permission from  
**CUSTOM SYSTEMS INC.**  
MINNEAPOLIS, MINNESOTA

SHEET 11

© 1985 ZETACO	
DRAWN BY: [Signature]	DATE: [Blank]
CHECKED BY: [Signature]	DATE: 6-23-81
APPROVED BY: [Signature]	DATE: 7-14-81
SCALE: [Blank]	REVISIONS: [Blank]
TITLE: MX-420	DRAWING NUMBER: 700-246-00

246-L12-1D.5

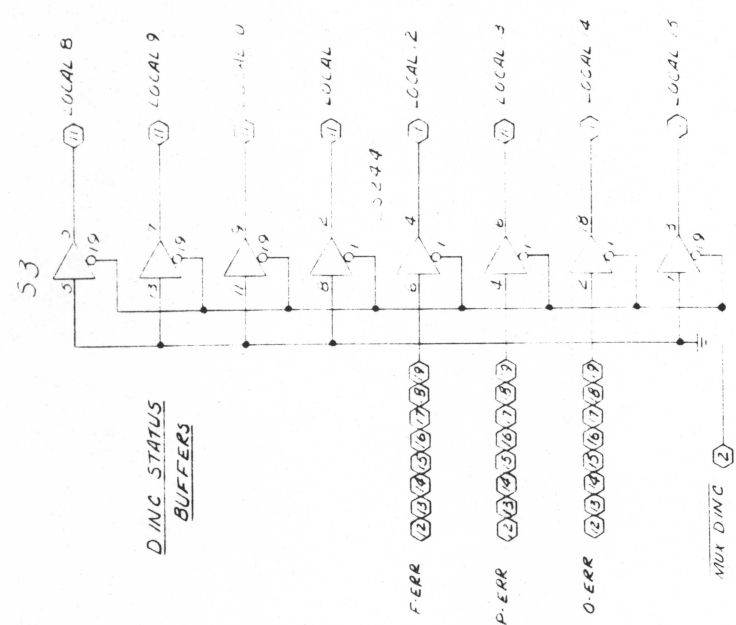
(SHEET 1 OF 1)



**DISTRIBUTION CONTROL**  
 This design is considered original and to have some unique features. It is not to be copied, distributed or drawn without written permission from  
**CUSTOM SYSTEMS INC.**  
 TAYLOR, MINNESOTA

© 1985 ZETACO  
 COMMAND BUFFER/MUX  
 DATE: 6/23/81  
 REVISIONS: 1/1/81  
 DRAWN BY: [Signature]  
 APPROVED BY: [Signature]  
 SCALE:  
 TITLE: MX-420  
 DRAWING NO.: 700-246-00  
 (SHEET 2)

246-L12-105



**DISTRIBUTION CONTROL**

This design is considered original and to have some unique features. It is not to be copied, distributed or redrawn without written permission from

**CUSTOM SYSTEMS INC.**  
MINNEAPOLIS, MINNESOTA

COMMAND R.F. MAX & GIN 3.5

**ZETACO**

9785

DRAWN BY: [Signature]

CHECKED BY: [Signature]

APPROVED BY: [Signature]

DATE: 1/14/51

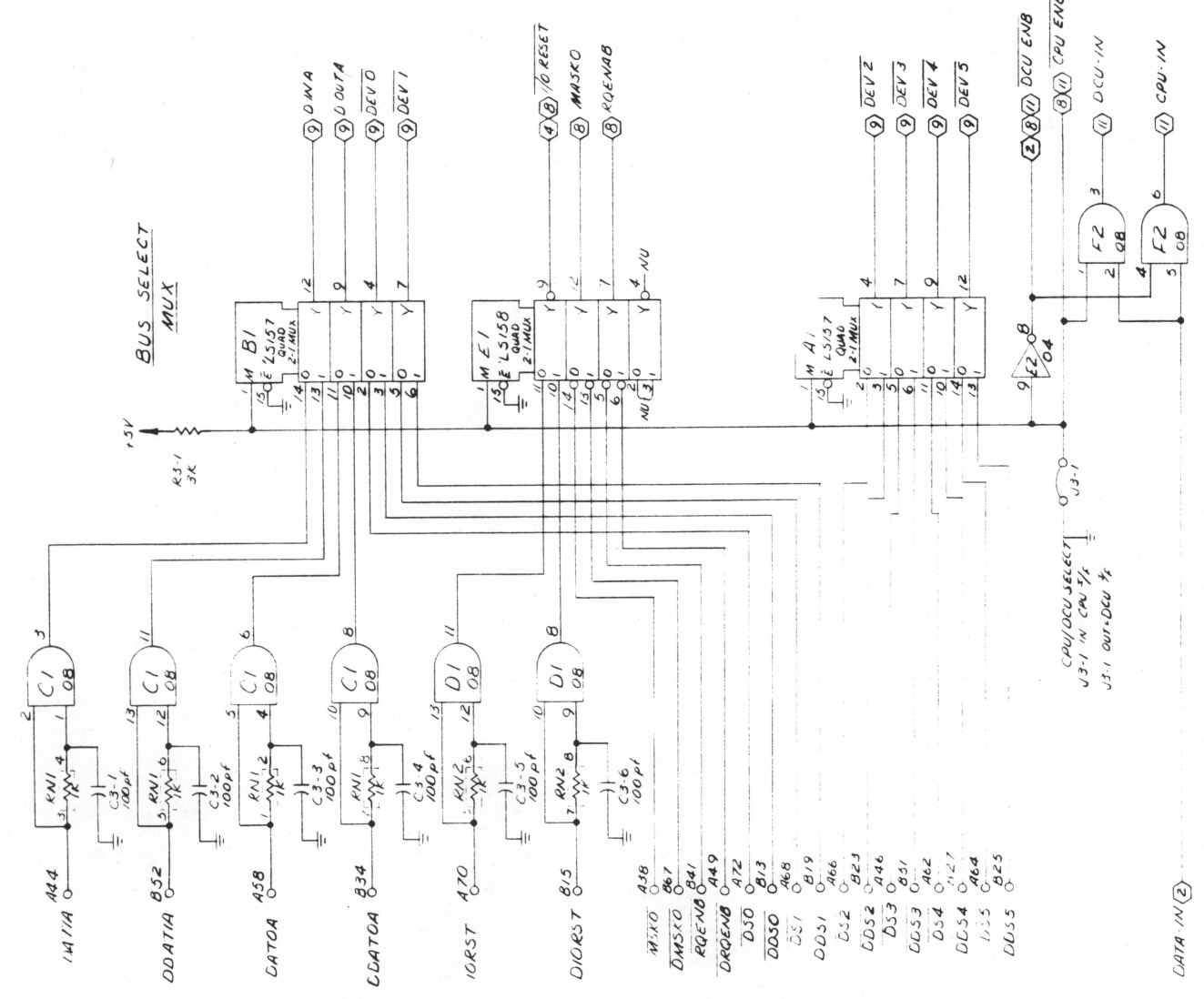
REVISIONS:

SCALE:

TITLE: MX-420

ISSUING NUMBER: 700-246-00

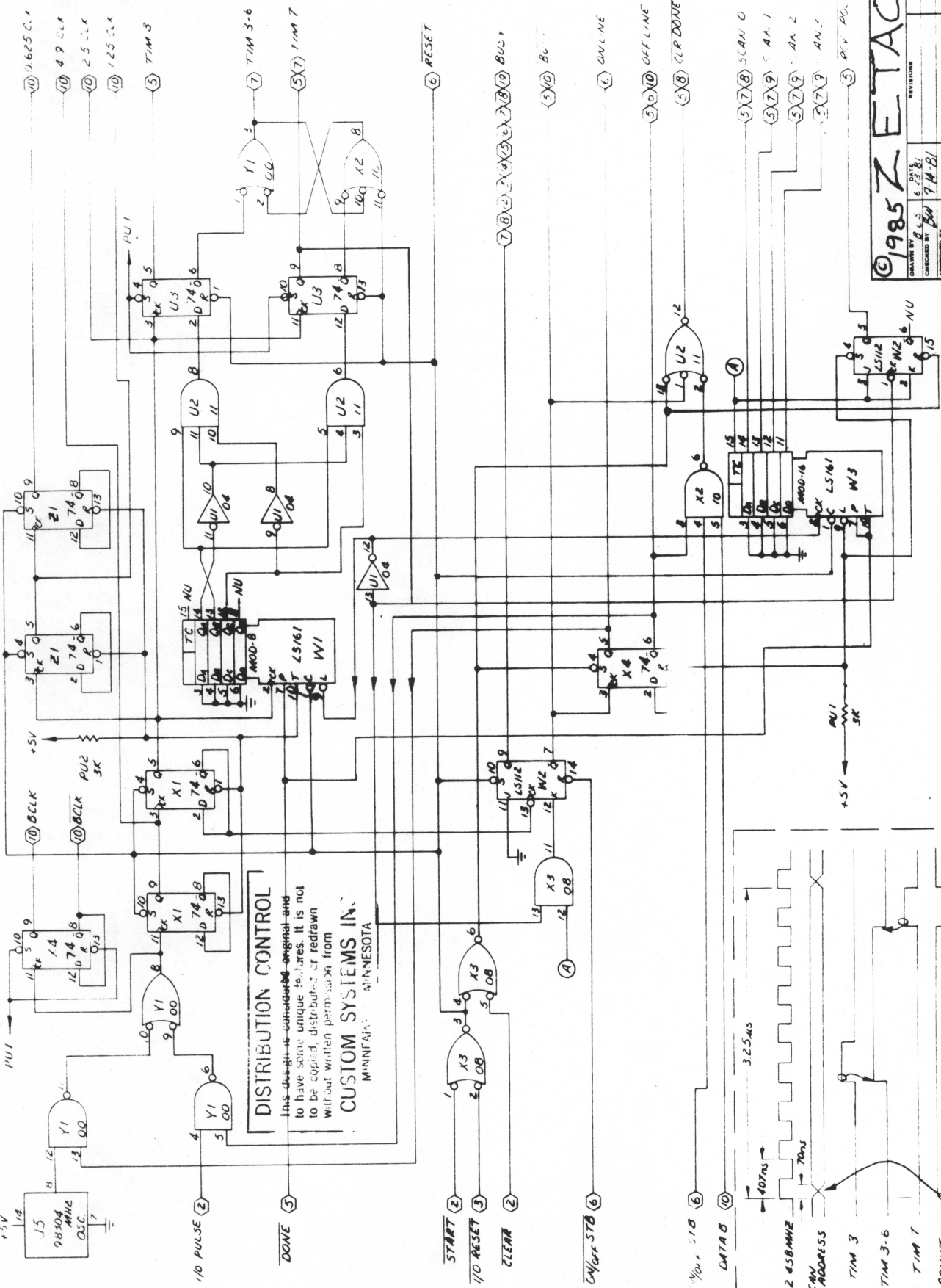
(SHEET 3)



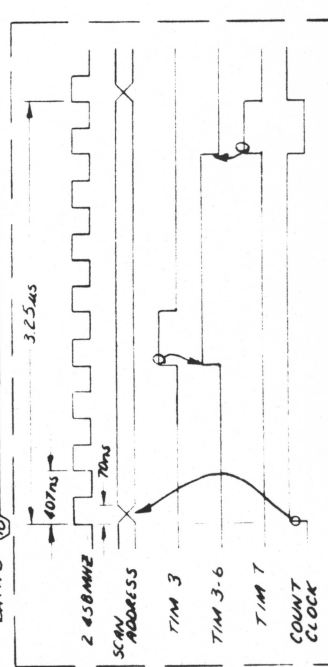
CPU/DCU SELECT  
J3-1 IN CPU 1/2  
J3-1 OUT-DCU 1/2

DATA IN (2)

246-W12-105



**DISTRIBUTION CONTROL**  
 This design is considered original and to have some unique features. It is not to be copied, distributed or redrawn without written permission from  
**CUSTOM SYSTEMS INC.**  
 MINNEAPOLIS, MINNESOTA



SINGLE CHANNEL TIMING

246-412-105

TIMING, SCAN COUNT, BUSY AND ON/OFF LINE

© 1985 Z ETACO

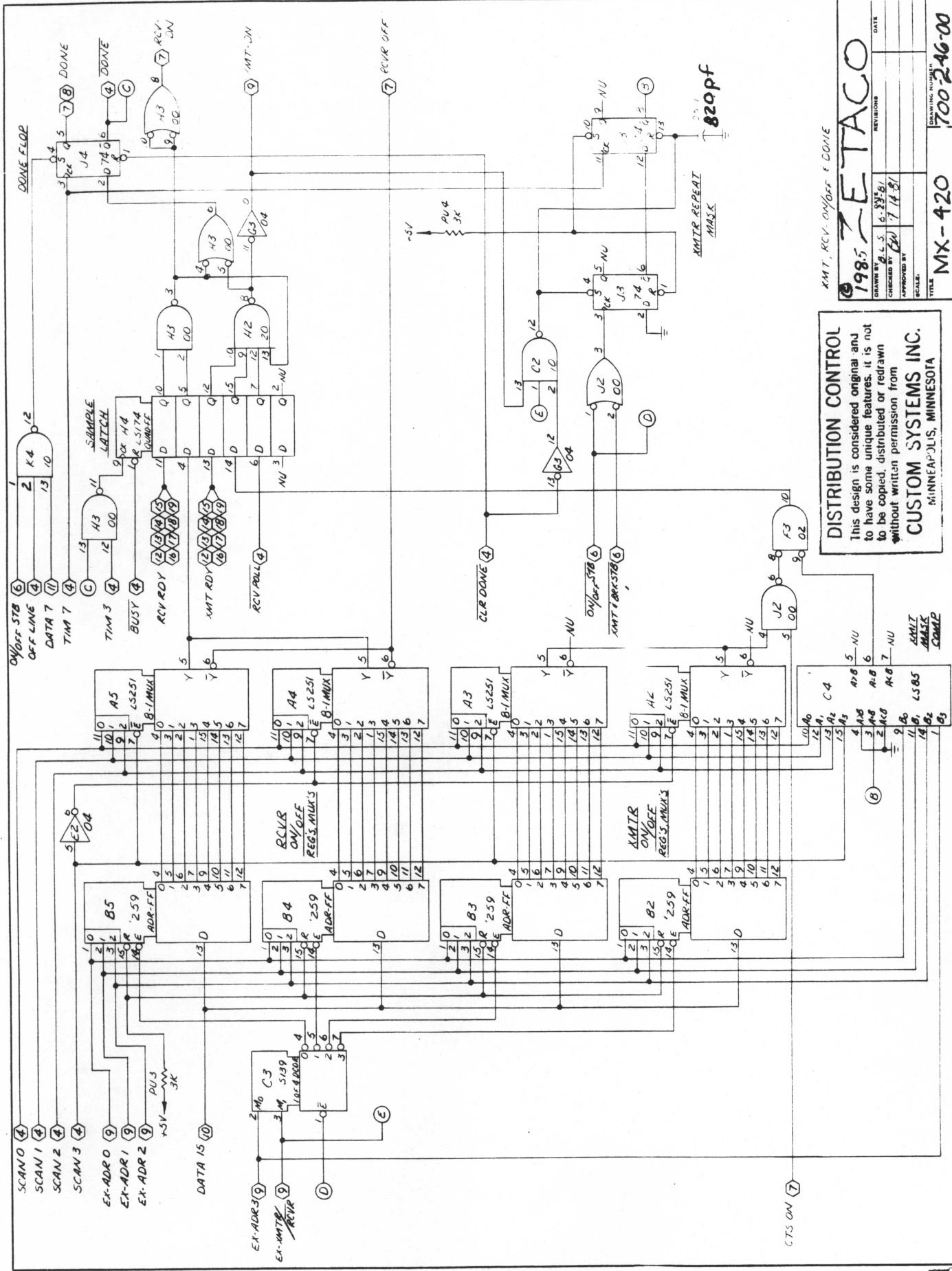
DATE: 6/27/81  
 DRAWN BY: BLS  
 CHECKED BY: BLS  
 APPROVED BY: BLS  
 SCALE:

REVISIONS

TITLE: MX-420

100-246-00 B

(SHEET 4)



**DISTRIBUTION CONTROL**  
 This design is considered original and to have some unique features. It is not to be copied, distributed or redrawn without written permission from  
**CUSTOM SYSTEMS INC.**  
 MINNEAPOLIS, MINNESOTA

KMT, RCV, ON/OFF & DONE

**1985 ZETACO**

DRAWN BY: BLS  
 CHECKED BY: BLS  
 APPROVED BY: BLS  
 SCALE: 1:1

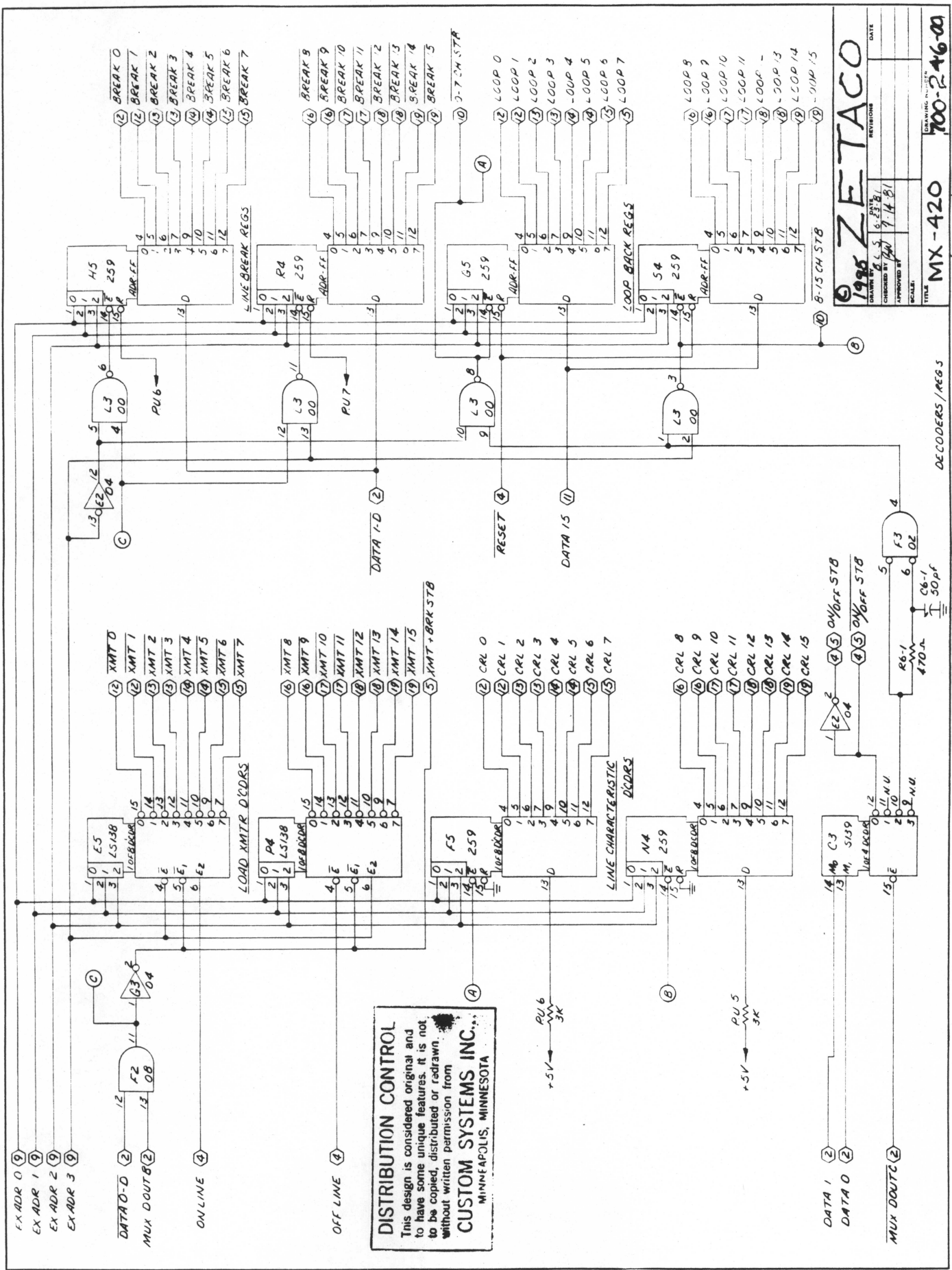
DATE: 6-23-81  
 REVISIONS: 7 H 81

DRAWING NUMBER: 700-246-00

TITLE: MX-420

246-L12-105

(SHEET 5)



**DISTRIBUTION CONTROL**  
 This design is considered original and to have some unique features. It is not to be copied, distributed or redrawn without written permission from  
**CUSTOM SYSTEMS INC.,**  
 MINNEAPOLIS, MINNESOTA

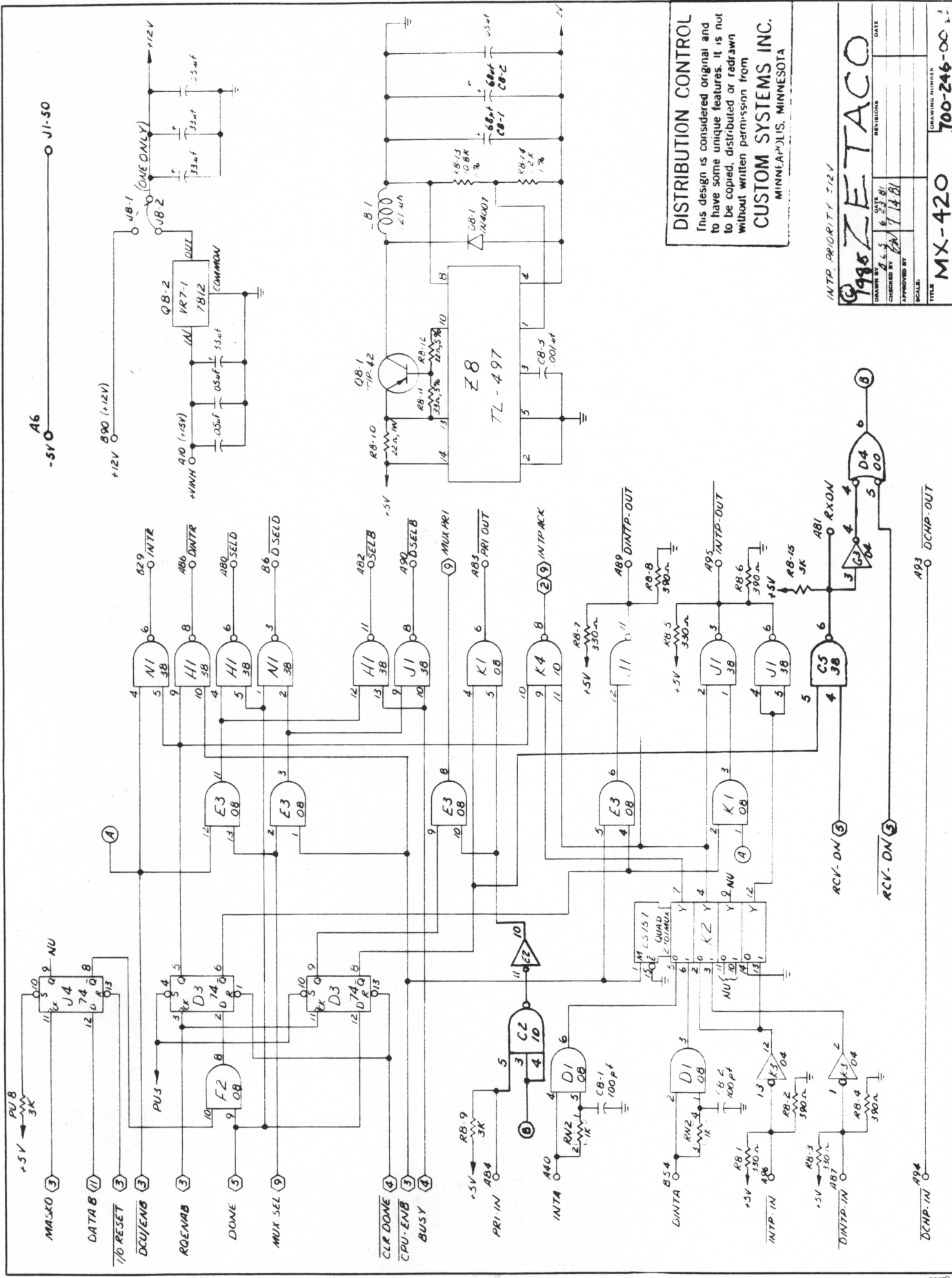
**ZETACO**  
 DRAWING NO. 1986-LS-318/1  
 CHECKED BY JAW 7/14/81  
 APPROVED BY [Signature]  
 SCALE: [Blank]  
 DATE: [Blank]

DRAWING NO. 1986-LS-318/1  
 TITLE: MX-420  
 SHEET 6

DECODERS / REGS

246-L12-1D5





**DISTRIBUTION CONTROL**  
This design is considered original and to have some unique features. It is not to be copied, distributed or redrawn without written permission from  
**CUSTOM SYSTEMS INC.**  
MINNEAPOLIS, MINNESOTA

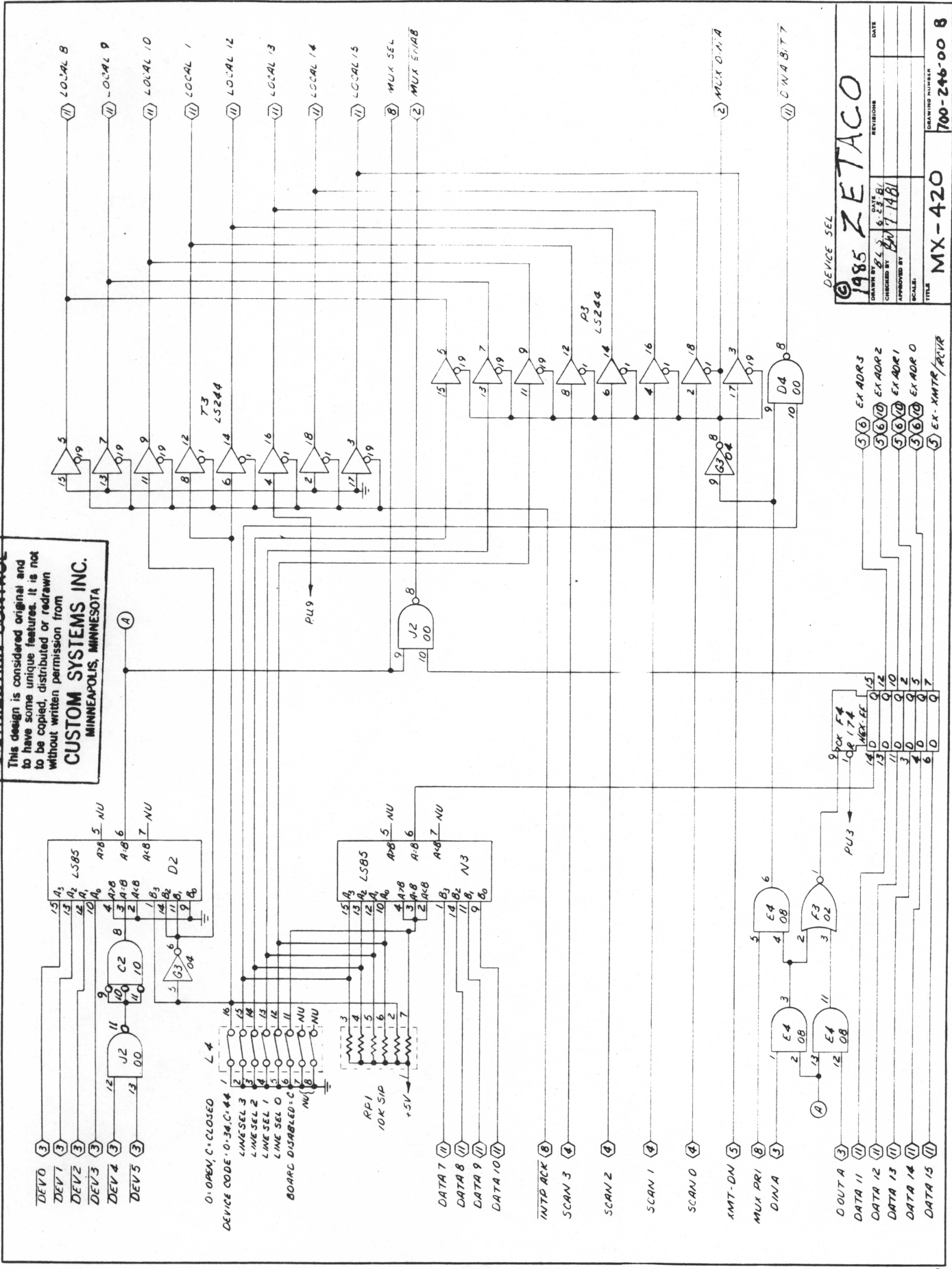
INTP. PRIORITY 312V  
**1985 ZETACO**  
DESIGNED BY: EN 71481  
CHECKED BY: EN 71481  
APPROVED BY: [Signature]  
SCALE: [Blank]  
DATE: [Blank]  
REVISIONS: [Blank]  
DRAWING NUMBER: 700-246-00  
TITLE: MX-420  
(SHEET 8)

246-L12-1D5



**DISTRIBUTION CONTROL**  
 This design is considered original and to have some unique features. It is not to be copied, distributed or redrawn without written permission from  
**CUSTOM SYSTEMS INC.**  
 MINNEAPOLIS, MINNESOTA

1  
 CUSTOM SYSTEMS, INC.  
 U.S.A.  
 © 1982

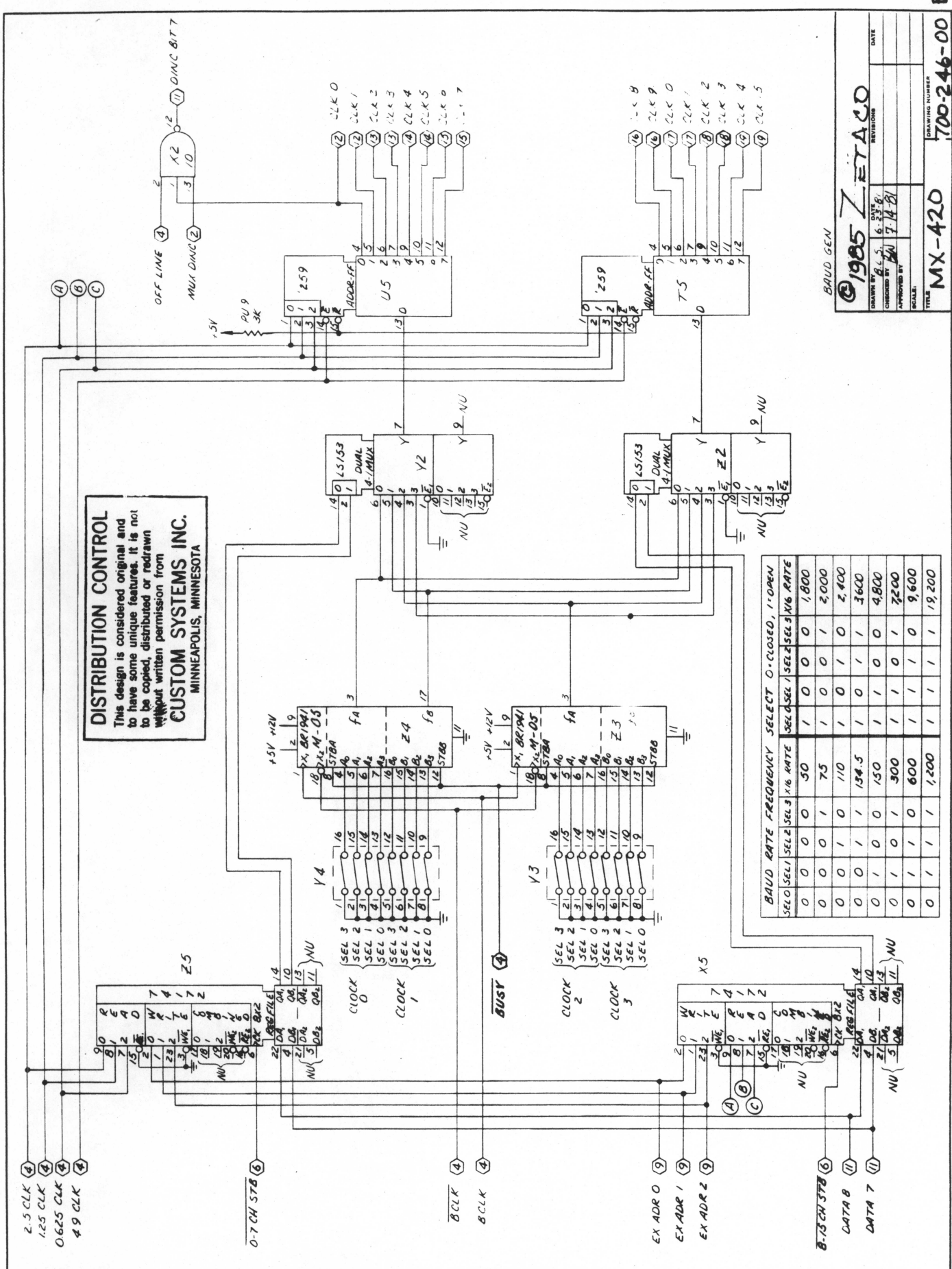


DEVICE SEL  
**1985 ZETACO**  
 DRAWN BY: [Signature] DATE: 6/23/81  
 CHECKED BY: [Signature] APPROVED BY: [Signature]  
 TITLE: MX-420  
 DRAWING NUMBER: 700-246-00 8  
 REVISIONS: [Table with columns for DATE and REVISIONS]

246-L12-1D5

(SHEET 9)

**DISTRIBUTION CONTROL**  
 This design is considered original and to have some unique features. It is not to be copied, distributed or redrawn without written permission from  
**CUSTOM SYSTEMS INC.**  
 MINNEAPOLIS, MINNESOTA



BAUD RATE FREQUENCY SELECT 0-CLOSED, 1-OPEN									
SEL0	SEL1	SEL2	SEL3	1/6 RATE	SEL4	SEL5	SEL6	SEL7	1/6 RATE
0	0	0	0	50	1	0	0	0	1,800
0	0	0	1	75	1	0	0	1	2,000
0	0	1	0	110	1	0	1	0	2,400
0	0	1	1	154.5	1	0	1	1	3,600
0	1	0	0	150	1	1	0	0	4,800
0	1	0	1	300	1	1	0	1	7,200
0	1	1	0	600	1	1	1	0	9,600
0	1	1	1	1,200	1	1	1	1	19,200

BAUD GEN

© 1985 ZETACO

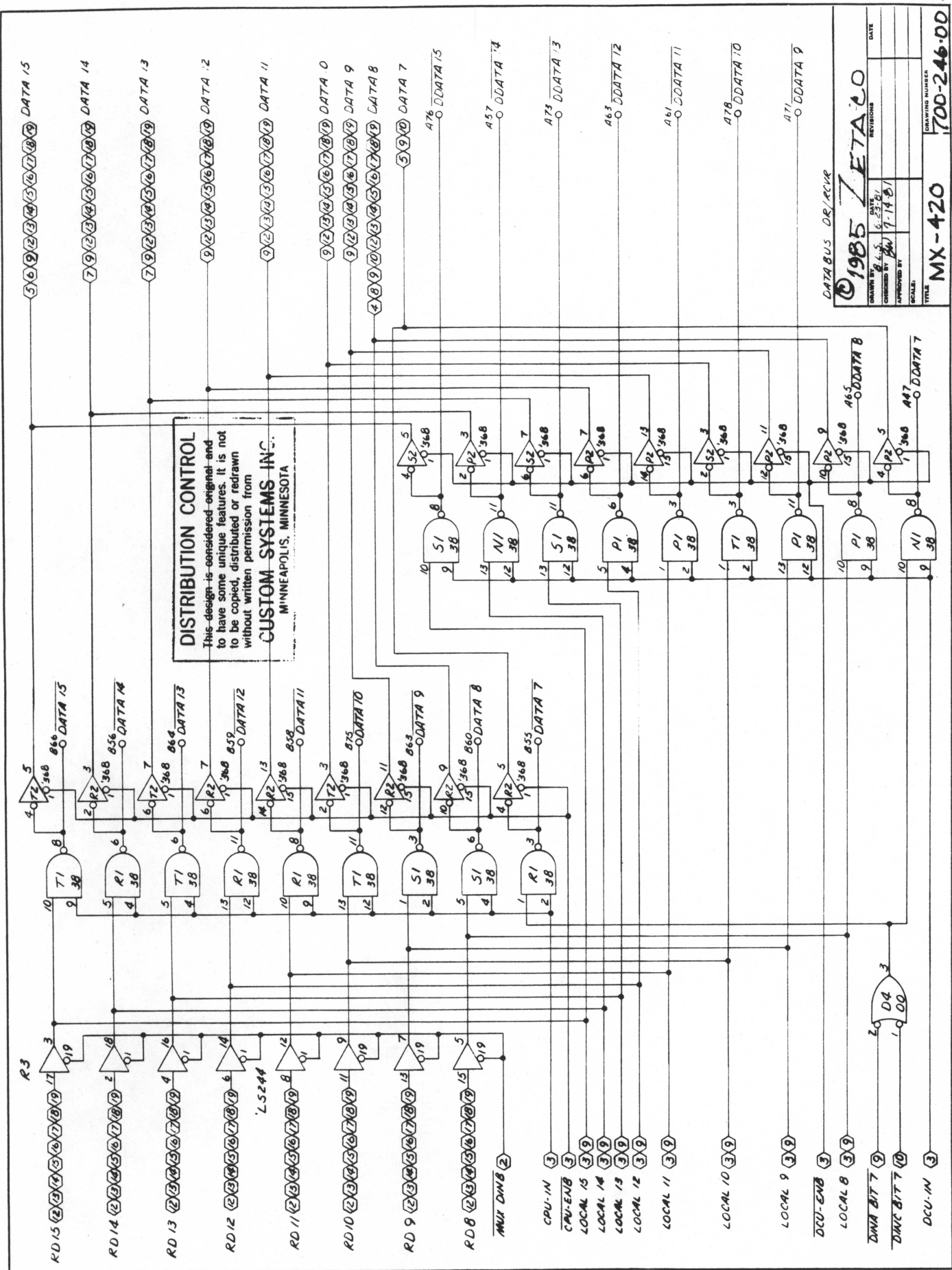
DRAWN BY: [Signature] DATE: 6-23-81  
 CHECKED BY: [Signature] DATE: 7-14-81  
 APPROVED BY: [Signature]

REVISIONS

DATE

TITLE: MX-420 DRAWING NUMBER: 100-246-00

SCALE:



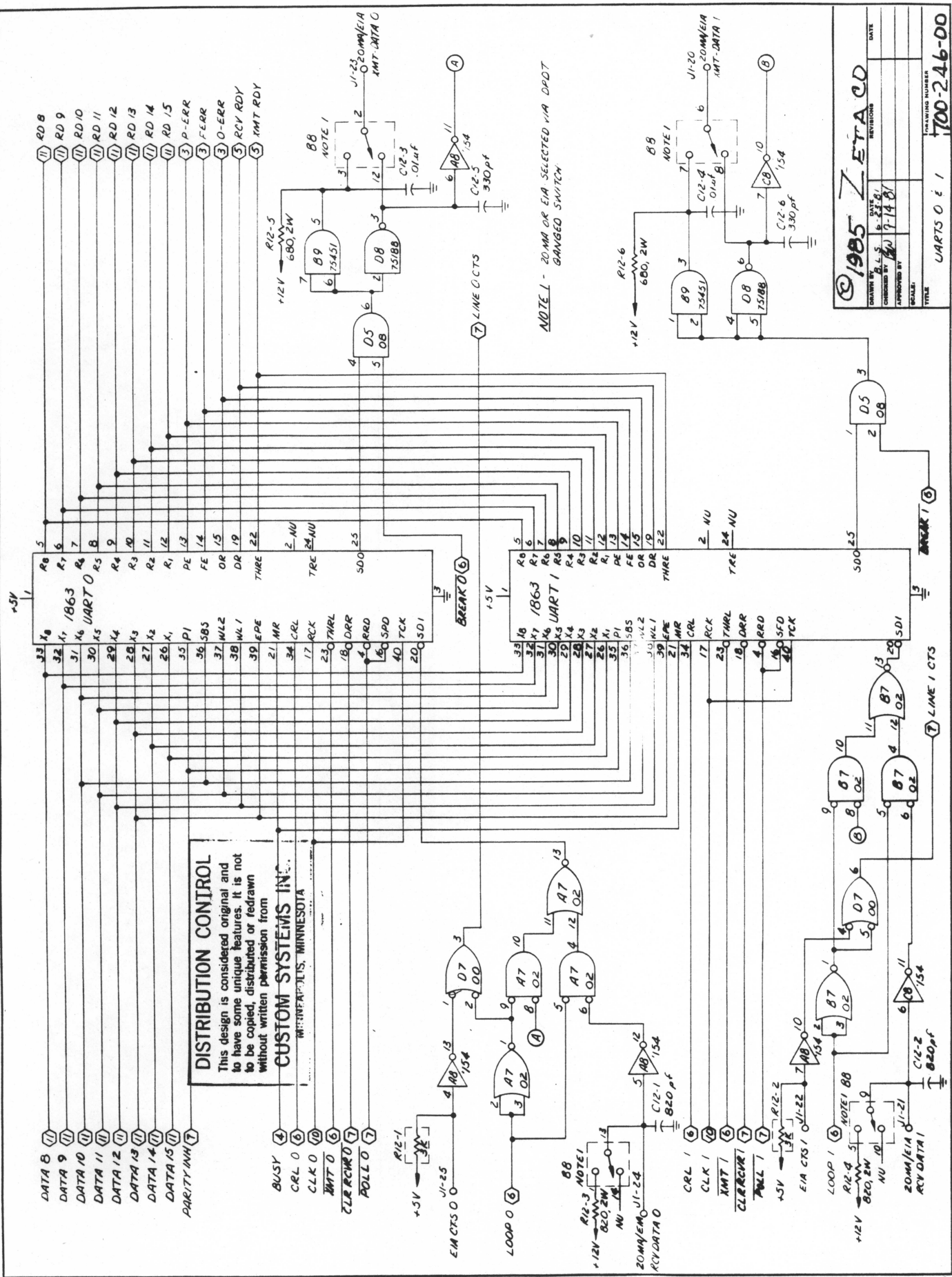
**DISTRIBUTION CONTROL**  
 This design is considered original and to have some unique features. It is not to be copied, distributed or redrawn without written permission from  
**CUSTOM SYSTEMS, INC.**  
 MINNEAPOLIS, MINNESOTA

DATABUS DR/RCVR  
 © 1985 ZETA CO

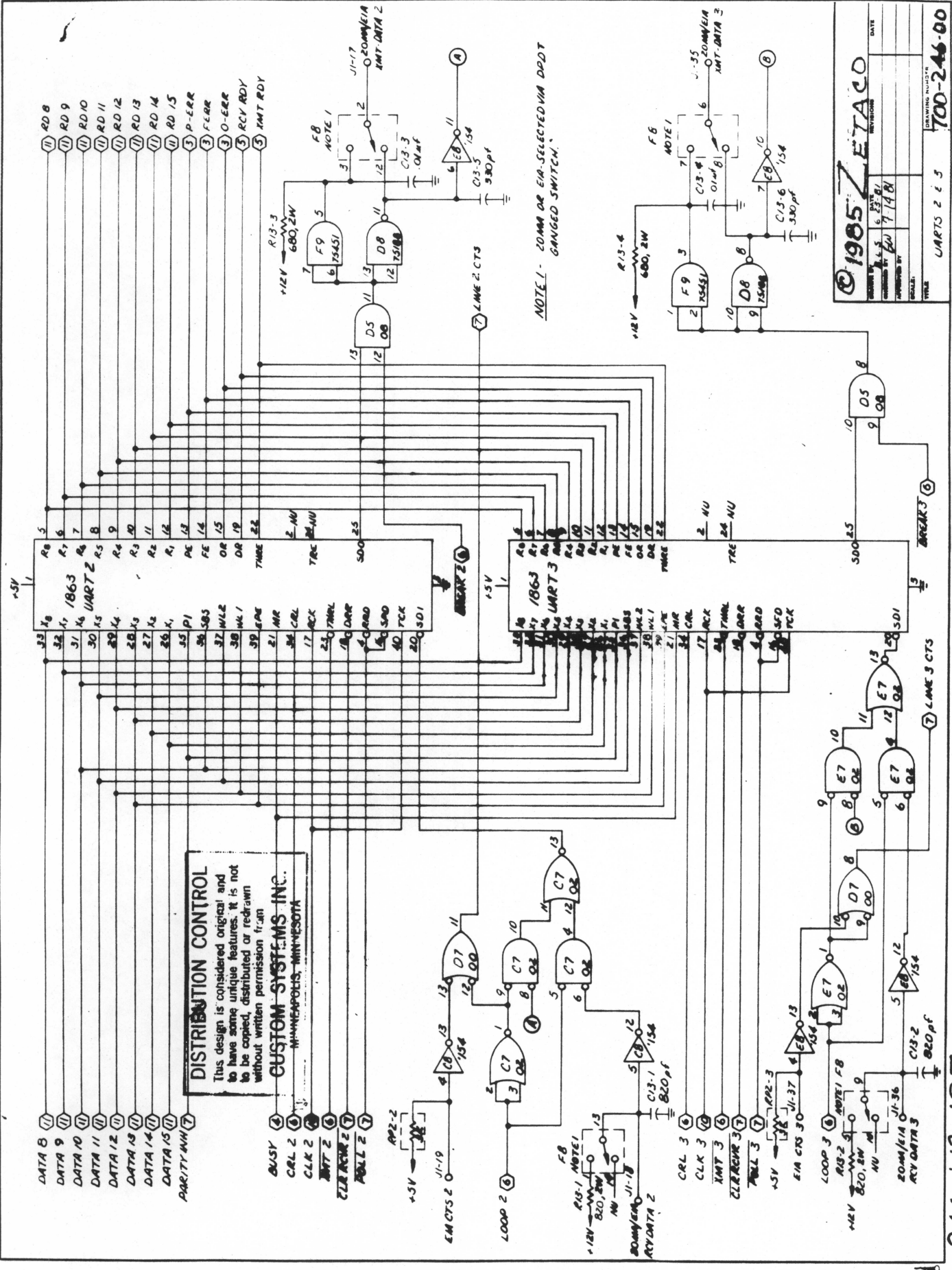
DATE	
REVISION	
APPROVED BY	9-14-81
DESIGNED BY	
DRAWN BY	
CHECKED BY	
SCALE	
TITLE	MX-420
DRAWING NUMBER	100-246-00

246-L12-1D5

(SHEET 11)



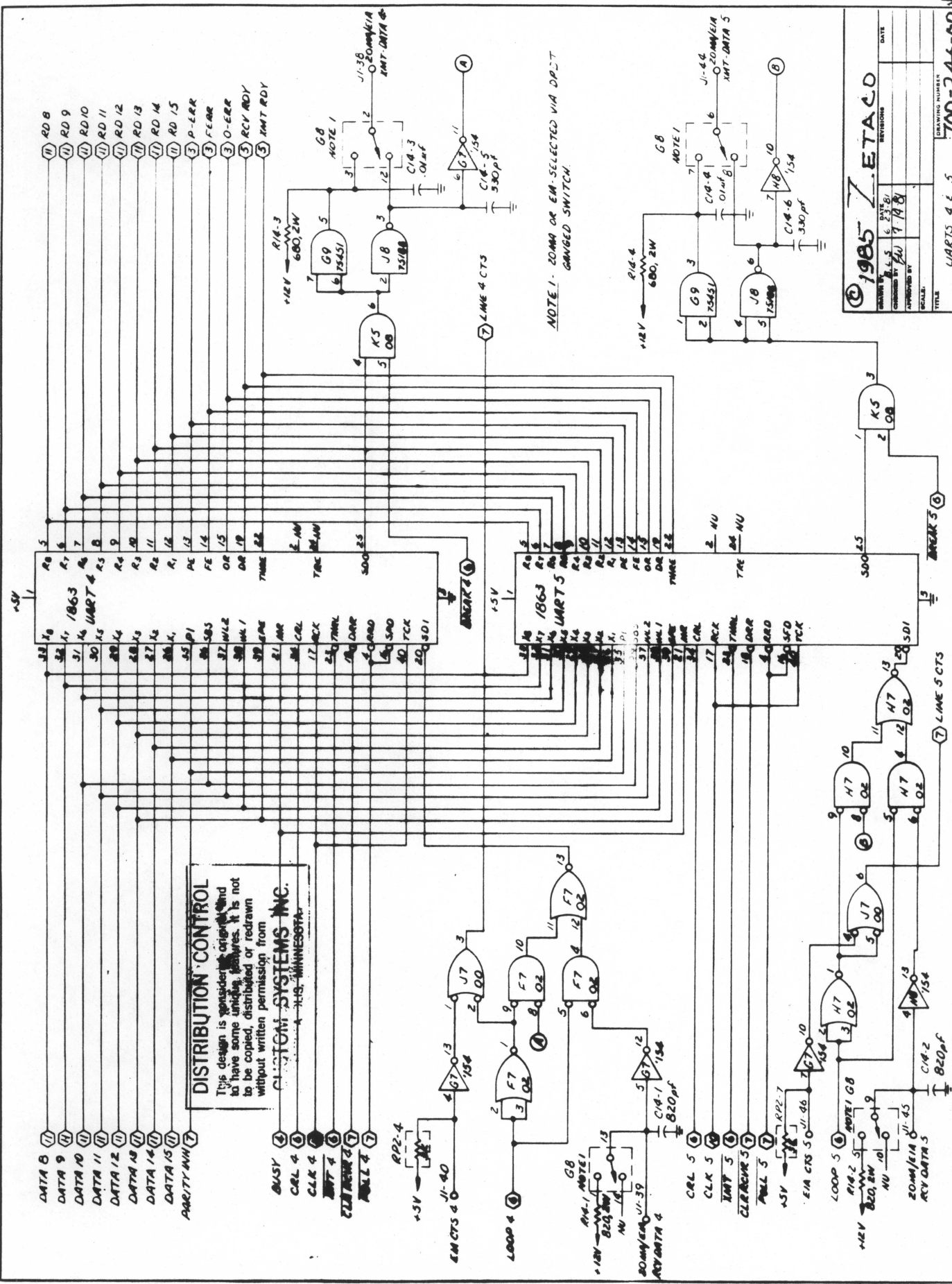
246-L12-105



**1985 ZETACO**

DATE: 6/23/81  
 APPROVED BY: J.W. 7/18/81  
 DRAWN BY: J.W.  
 TITLE: UARTS 2 & 3  
 PART NO: 700-246-00  
 SHEET NO: (SHEET 13)

246-L12-1D5



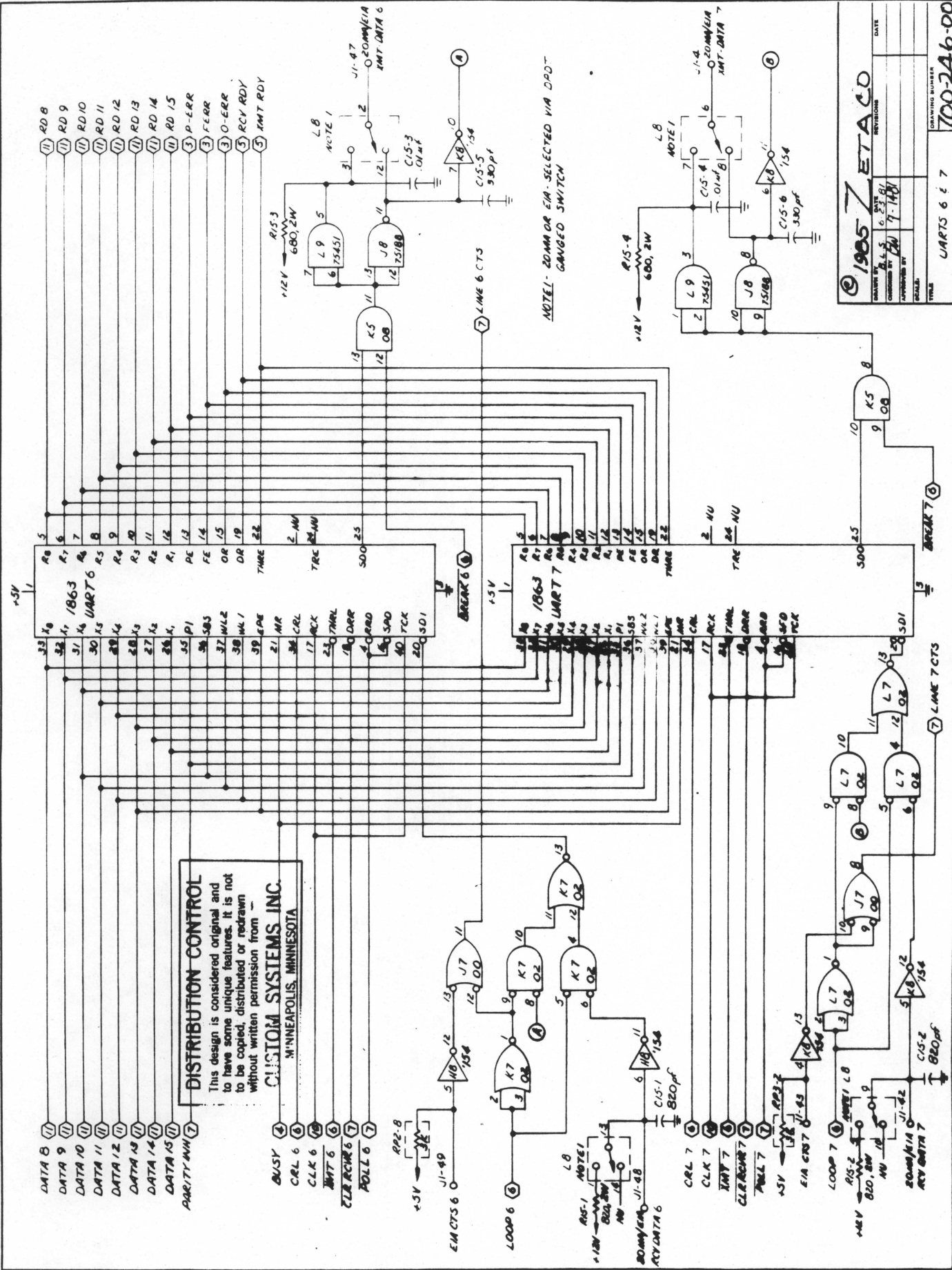
**DISTRIBUTION CONTROL**  
 This design is considered original and to have some unique features. It is not to be copied, distributed or redrawn without written permission from CUSTOM SYSTEMS, INC. MINNESOTA.

NOTE 1 - 20MHz OR EM-SELECTED VIA DPDT SWAGED SWITCH.

**1985 Z. ETALCO**

DATE	DATE
APPROVED BY	DATE
SCALE	DATE
TITLE	DATE

UARTS 4 & 5  
 700-246-00  
 (SHEET 4)



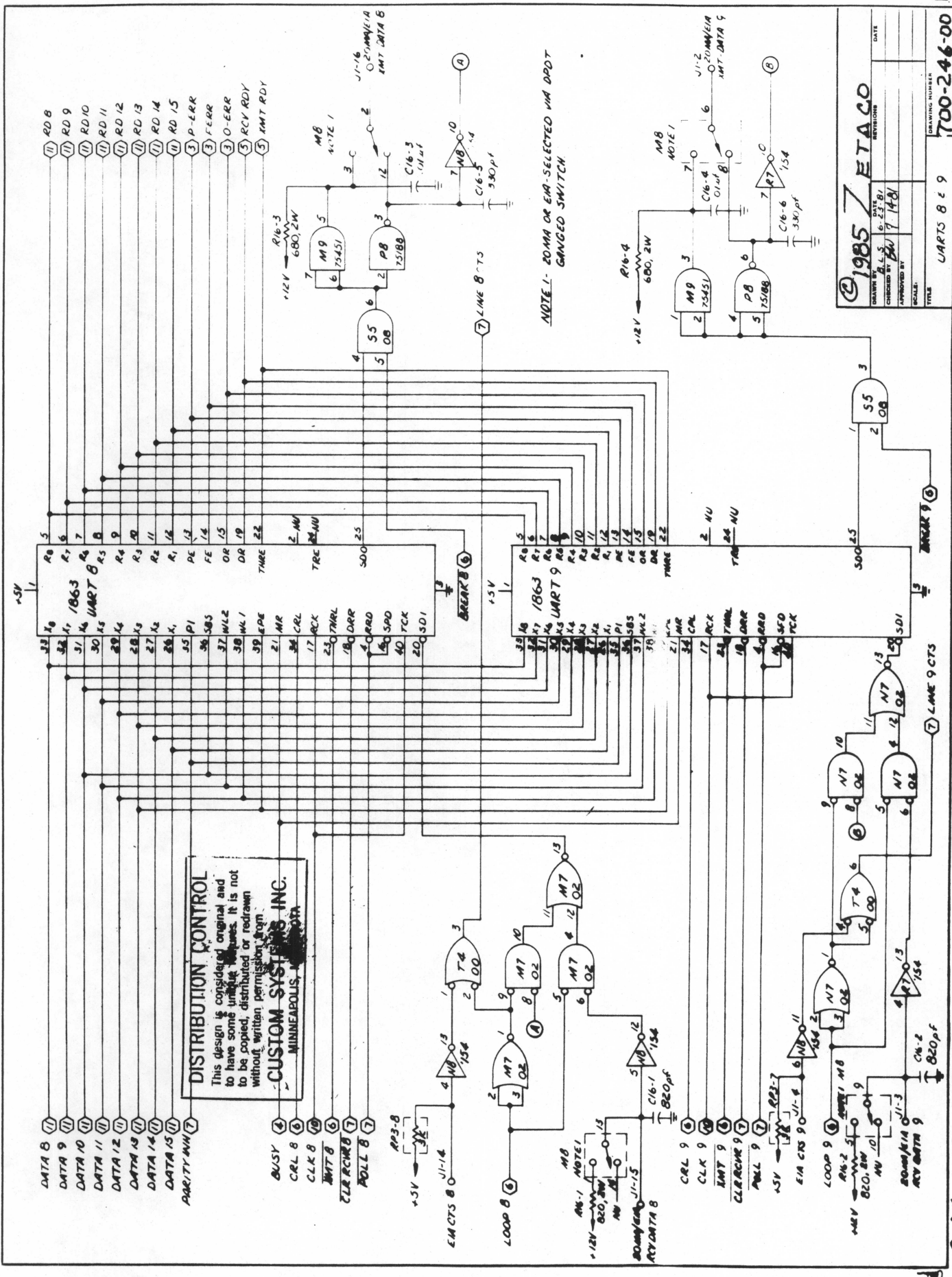
**DISTRIBUTION CONTROL**  
 This design is considered original and to have some unique features. It is not to be copied, distributed or redrawn without written permission from  
**CUSTOM SYSTEMS INC.**  
 MINNEAPOLIS, MINNESOTA

NOTE 1 - 20mA OR EM - SELECTED VIA DPDT GANGED SWITCH

<b>1985 ZETACO</b>	
DESIGNED BY	DATE
DRAWN BY	DATE
CHECKED BY	DATE
APPROVED BY	DATE
TITLE	DRAWING NUMBER
UARTS 6 & 7	100-246-00 B

246-L12-105

(SHEET 1.5)



**ETACO**  
 REVISION

DATE

1985

DESIGNED BY: J.L.S. (6-27-81)

CHECKED BY: J.W. (7-14-81)

APPROVED BY: J.W. (7-14-81)

SCALE:

TITLE: UARTS 8 & 9

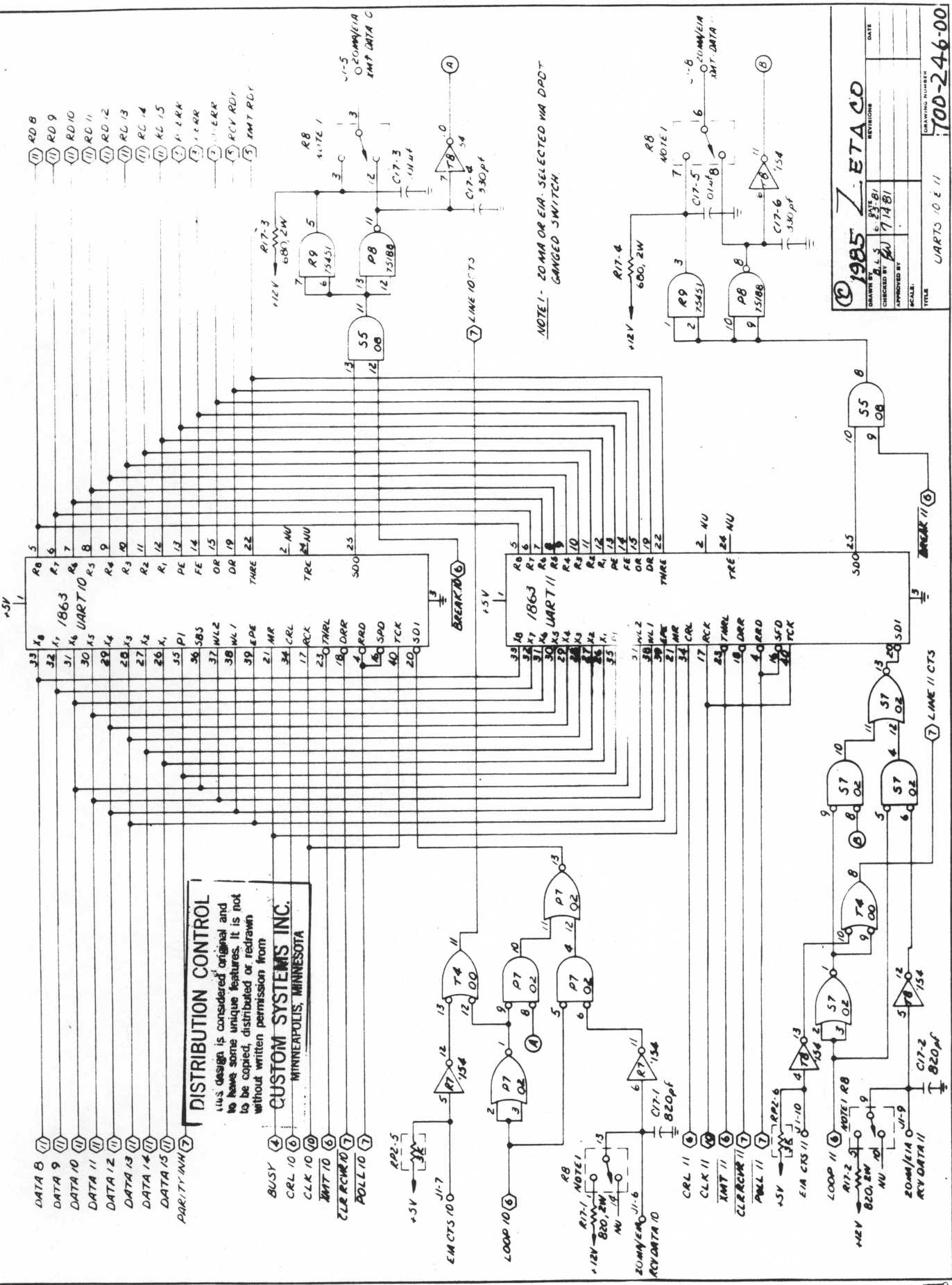
DRAWING NUMBER: 100-246-00

246-L12-1D5

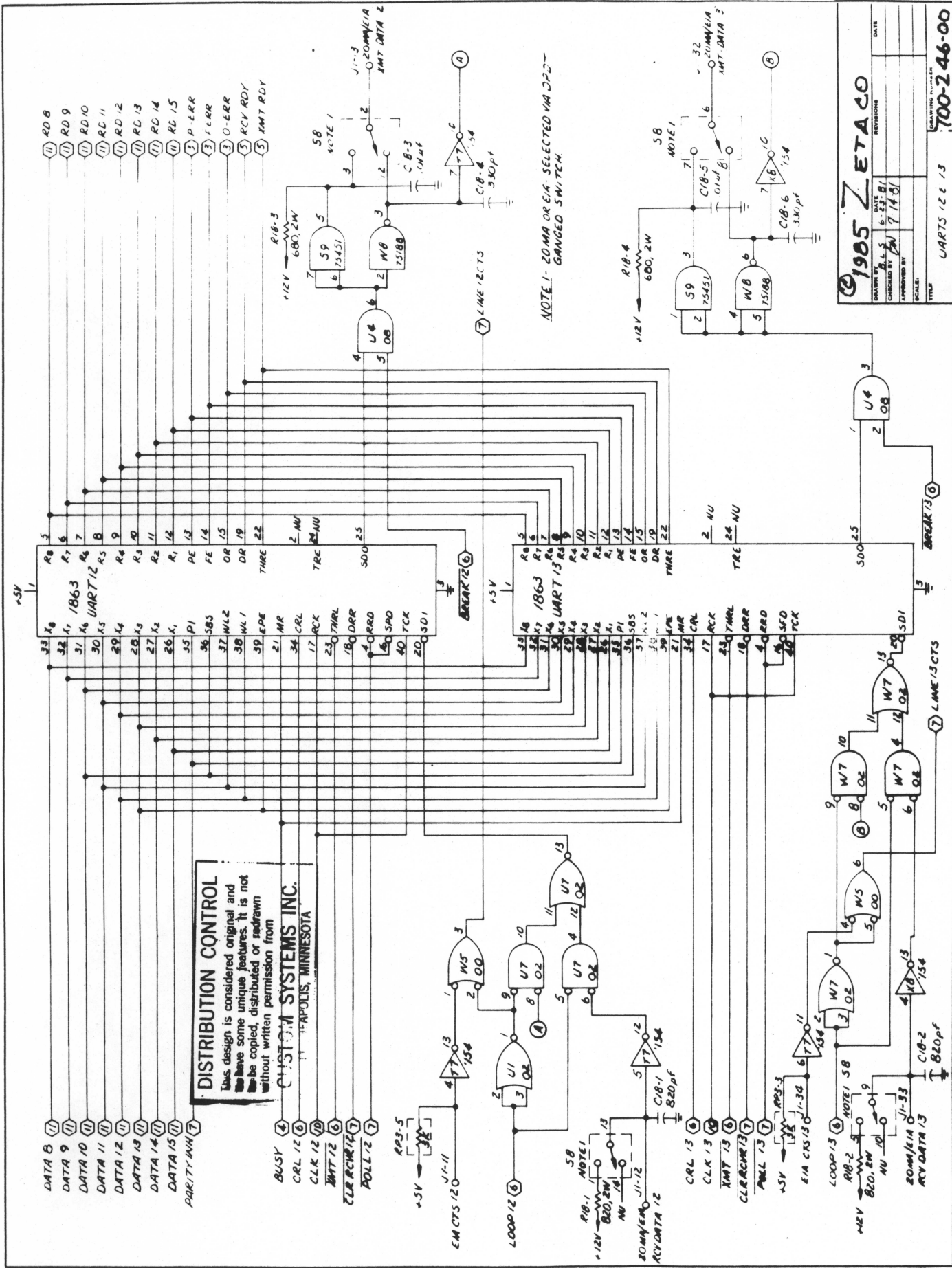
(SHEET 16)



CUSTOM SYSTEMS, INC.  
1985  
10  
10  
U.S.A.



246-L12-105



**DISTRIBUTION CONTROL**  
 This design is considered original and  
 has some unique features. It is not  
 to be copied, distributed or redrawn  
 without written permission from  
**CUSTOM SYSTEMS, INC.**  
 1115 POLK AVENUE, MINNESOTA

NOTE 1 - 20 MA OR EIA - SELECTED VIA J2-2 -  
 GANGED SWITCH

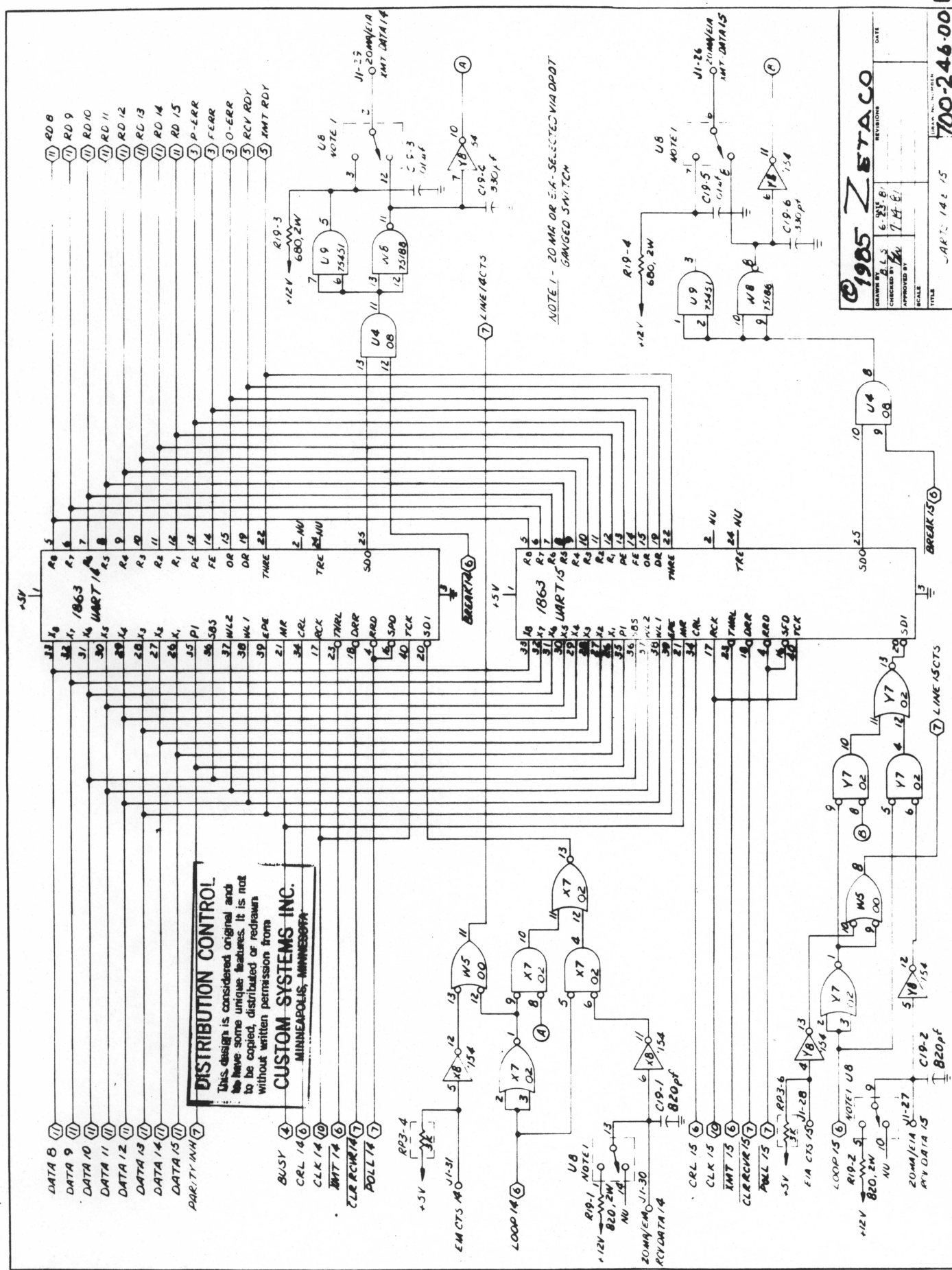
**1905 ZETA CO**

DESIGNED BY: [Signature]  
 CHECKED BY: [Signature]  
 DATE: 6-23-81  
 APPROVED BY: [Signature]  
 DATE: 7-14-81

SCALE: [Blank]  
 TITLE: UARTS 1 & 3

DATE: 700-246-00  
 SHEET: 18

246-L12-1D5



**DISTRIBUTION CONTROL**  
 This design is considered original and to have some unique features. It is not to be copied, distributed or redrawn without written permission from  
**CUSTOM SYSTEMS INC.**  
 MINNEAPOLIS, MINNESOTA

NOTE 1 - 20 MA OR E.A. SELECTED VIA DROT GANGED SWITCH

**1985 ZETACO**

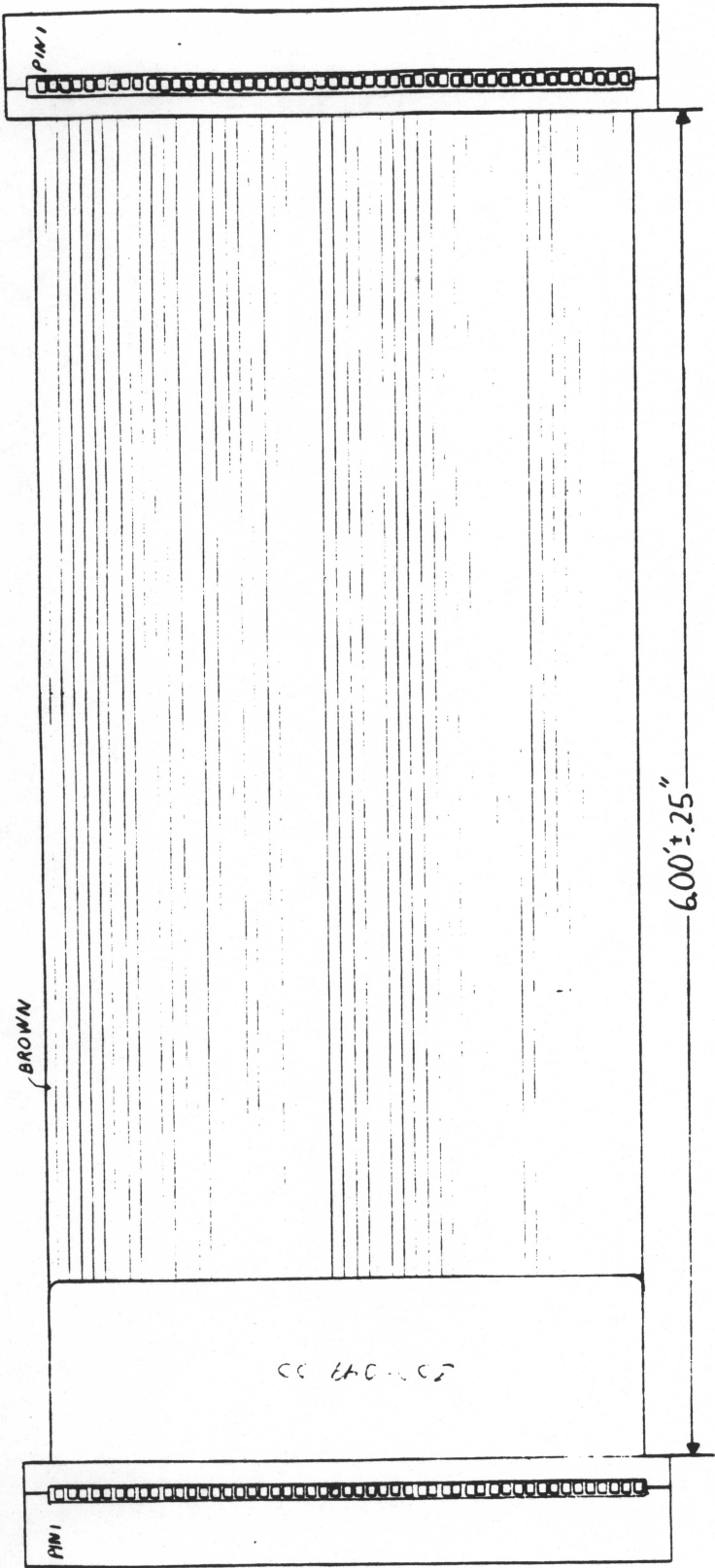
DATE: \_\_\_\_\_  
 DRAWN BY: JLS  
 CHECKED BY: JLS  
 APPROVED BY: JLS  
 SCALE: \_\_\_\_\_

TITLE: \_\_\_\_\_  
 PART: 142 15  
 700-246-00 B

246-L12-105

(SHEET 19)

1982  
 CUSTOM SYSTEMS, INC.  
 U.S.A.



(SHEET 1 OF 1)

© 1985 ZETACO

SCALE	REVISIONS	BY	DATE
DATE 1-23-81			
DRWN A.J.			
CHKD			
AP'D			
TITLE	NO	REV	
MX-420 50 PIN			
CABLE ASSEMBLY			
	300-009100	A	

NOTE:  
 1. STAMP PULL TAB WITH ZETACO  
 PART NUMBER 3.00-1141 (1)

246-C04-1D3-00 K

PARTS LIST  
ZETACO

FOR: MX-420 50 PIN CABLE ASSEMBLY 6'

ASSEMBLY #: 300-049-00  
REV. LEVEL: A

ITEM	QTY	PART #	GENERIC DESCRIP.	DESCRIPTION	REFERENCE
-----	-----	-----	-----	-----	-----
1	2	025-040-00	CONN F	3M 3425-7050	
2	0	020-000-00	CABLE	3M 3302/50 28 AWG	
3	1	030-034-00	CONN HDWE	3M 3490-5 FULL TAB	
4	1	099-010-00	LABEL	1/2" X 1 3/4" WHITE PAPER	
5	0	010-001-00	TAPE	3M 850 1"	

PARTS LIST  
ZETACO

FOR: MX-420 DIST PANEL W/SWITCH DG CMPBL

ASSEMBLY #: 500-415-01  
REV. LEVEL: B

ITEM	QTY	PART #	GENERIC DESCRIP.	DESCRIPTION	REFERENCE
----	----	-----	-----	-----	-----
1	1	041-062-00	PCB	PTI DIST PANEL	REV D
2	1	026-007-00	CONN M	HDR 50P 3M #3433-2302	
3	16	026-024-00	CONN M	25P MALE STRT H2M25ST28C	
4	1	120-031-00	SHT METAL	16 CH PNL 246-M05,A07	
5	16	030-043-00	CONN HDWE	D20418-2 HEX SET	
6	4	077-004-00	NUT	#8 KEPS NUT	SHIPPED, LOOSE
7	4	071-013-00	SCREW	8-32 X 1/2; PH-PHMS	SHIPPED, LOOSE
8	1	010-000-00	BAG	ZIP LOCK 4/6 61-06	SHIPPED, LOOSE
9	8	064-006-00	SWITCH	GRAYHILL 76SD02 DPDT	