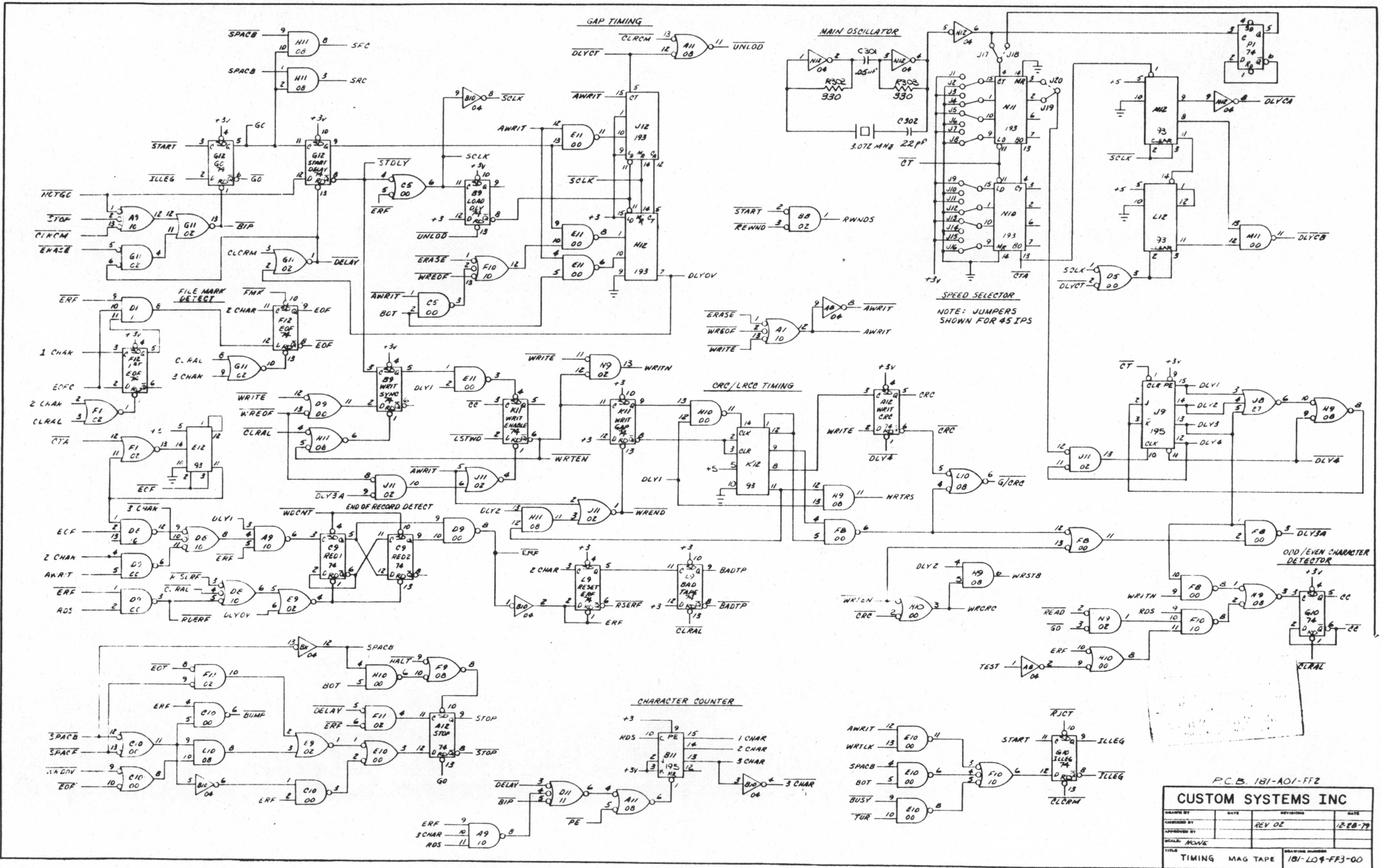


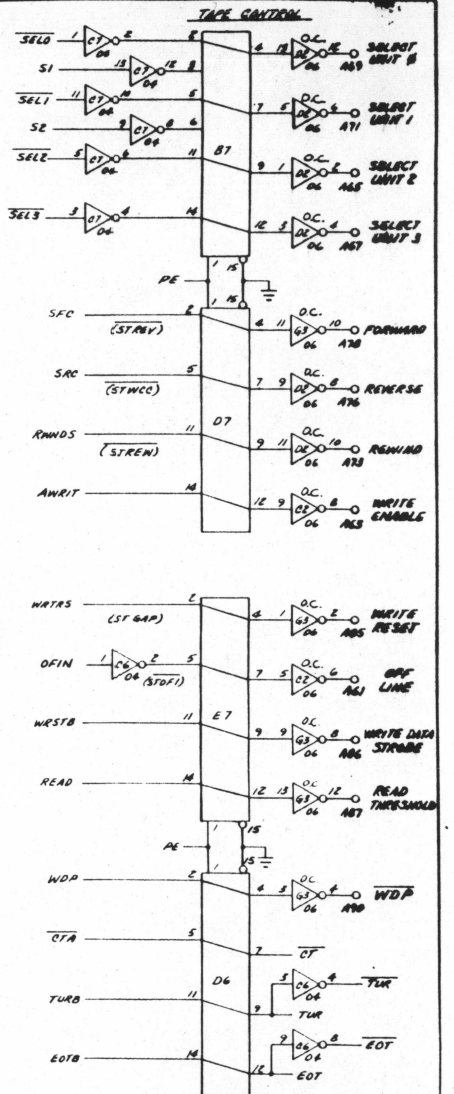
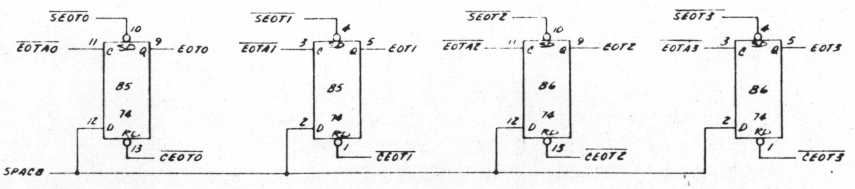
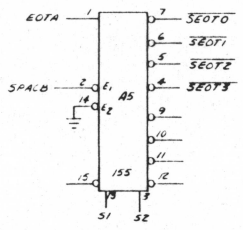
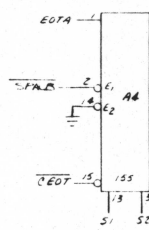
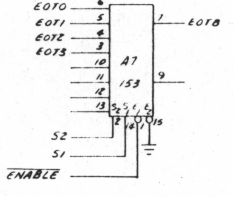
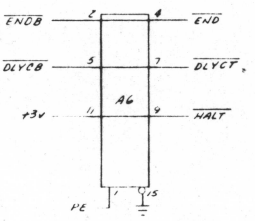
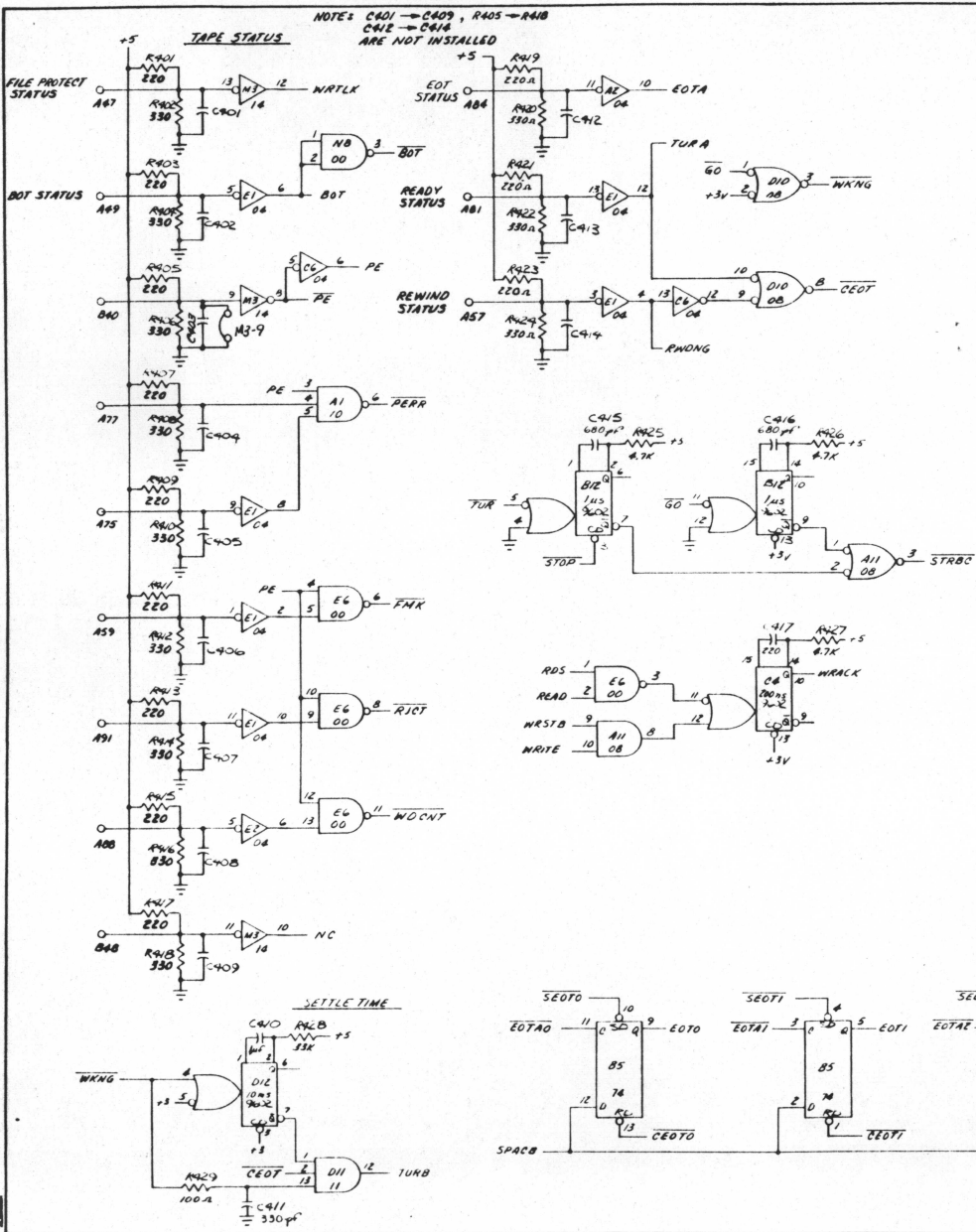
This document is the property of  
 CUSTOM SYSTEMS INC.  
 It is loaned to you for your use only.  
 It is not to be distributed, copied,  
 or otherwise used in any way without  
 the express written consent of  
 CUSTOM SYSTEMS INC.

CUSTOM SYSTEMS INC			
DESIGNED BY	DATE	REVISED	DATE
DESIGNED BY	1-20-76	REVISED	
APPROVED BY		REV DE	12-28-79
DRAWN BY			
CHECKED BY			
TITLE	MAG TAPE READ/WRITE		
DRAWING NUMBER	181-103-FF3-00		



PCB 181-A01-FF2

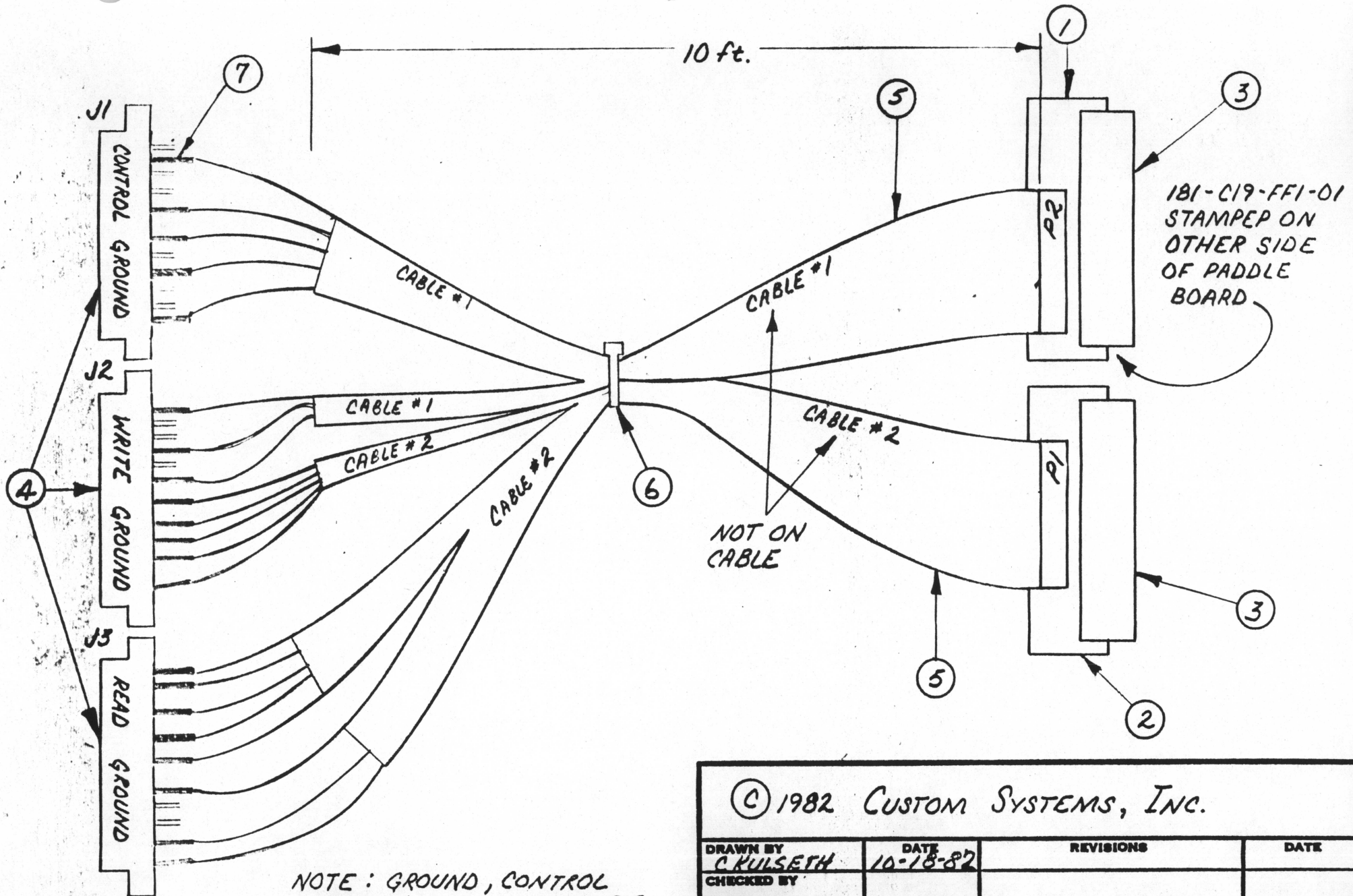
CUSTOM SYSTEMS INC			
DESIGNED BY	DATE	REVISIONS	DATE
CONSIDERED BY		REV 02	12-28-79
DRAWN BY		MCW	
TITLE	TIMING MAG TAPE		DESIGN NUMBER 181-LO9-FF3-00



F.C.B. 181-A01-FF2

**CUSTOM SYSTEMS INC**

DESIGNED BY: [ ] DATE: [ ]  
 DRAWN BY: [ ] REV: 02 8-28-78  
 CHECKED BY: [ ]  
 TITLE: MAGNETIC TAPE INTERFACE  
 PROJECT NUMBER: 181-105-173-00



NOTE: GROUND, CONTROL  
WRITE, & READ ARE TO BE  
STAMPED ON CONNECTORS  
AS SHOWN

© 1982 CUSTOM SYSTEMS, INC.			
DRAWN BY C. KULSETH	DATE 10-18-82	REVISIONS	DATE
CHECKED BY			
APPROVED BY			
SCALE:			
TITLE MAG TAPE CABLE		DRAWING NUMBER 181-C19-FF1-01	

