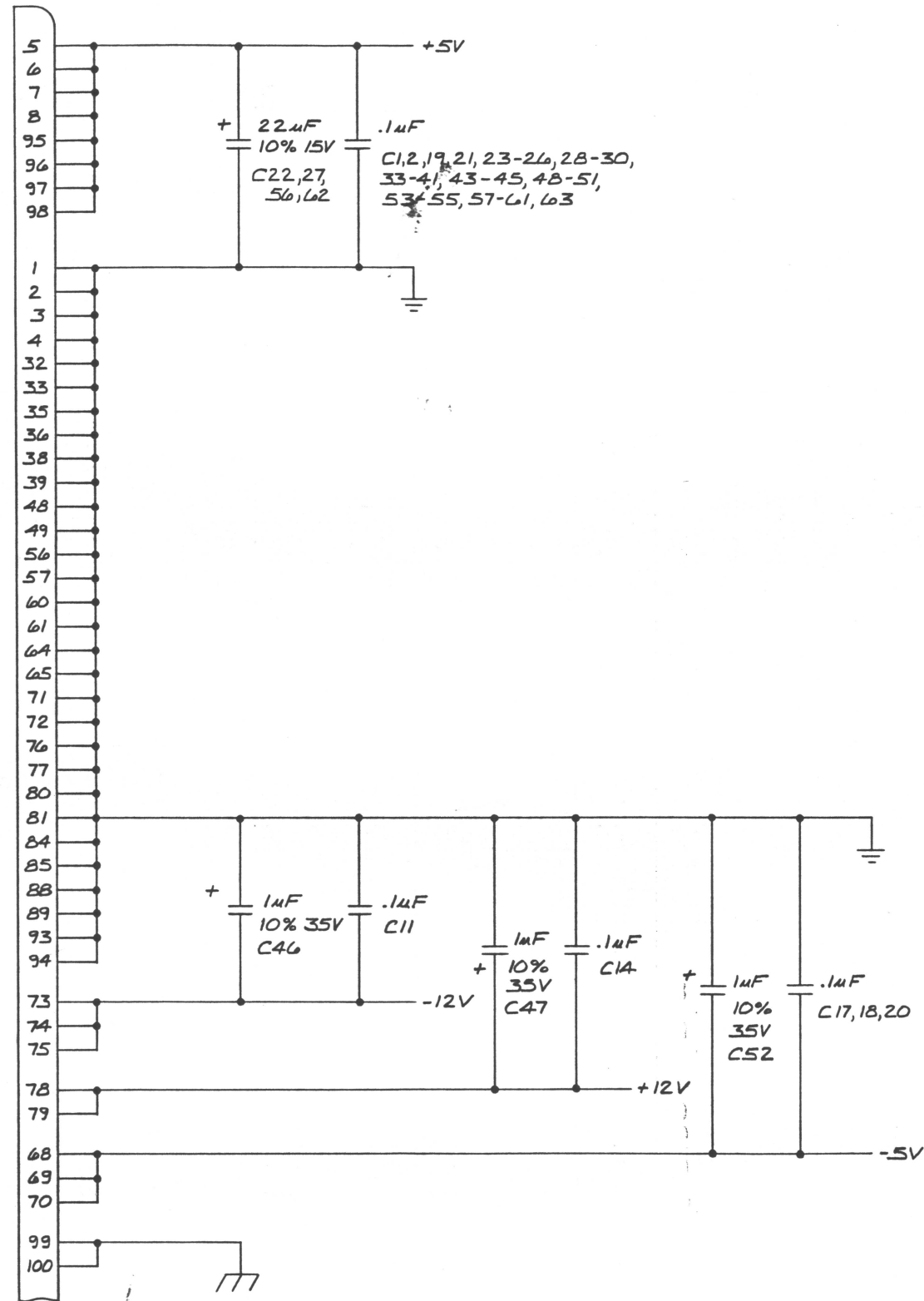


P1 - EDGE CONNECTOR



UNUSED GATES			
REF	TYPE	PIN NUMBER	
		IN	OUT
12A	74S00	1, 2	3
1C	74LS00	9, 10	8
10A	74S02	5, 6	4
11B	74S04	5, 11, 13	6, 10, 12
18D	74S04	3	4
6V	74S05	1	2
4D	74S08	1, 2, 4, 5, 12, 13	3, 6, 11
18C	74S08	1, 2, 4, 5	3, 6
12D	74S11	1, 2, 13	12
8E	7438	12, 13	11
11A	74S74	1, 2, 3, 4	5, 6
6E	74LS629	1, 11, 12, 13, 14	10
16A	74LS139	13, 14, 15	9, 10, 11, 12
3H	74LS244	6, 8, 11	9, 12, 14

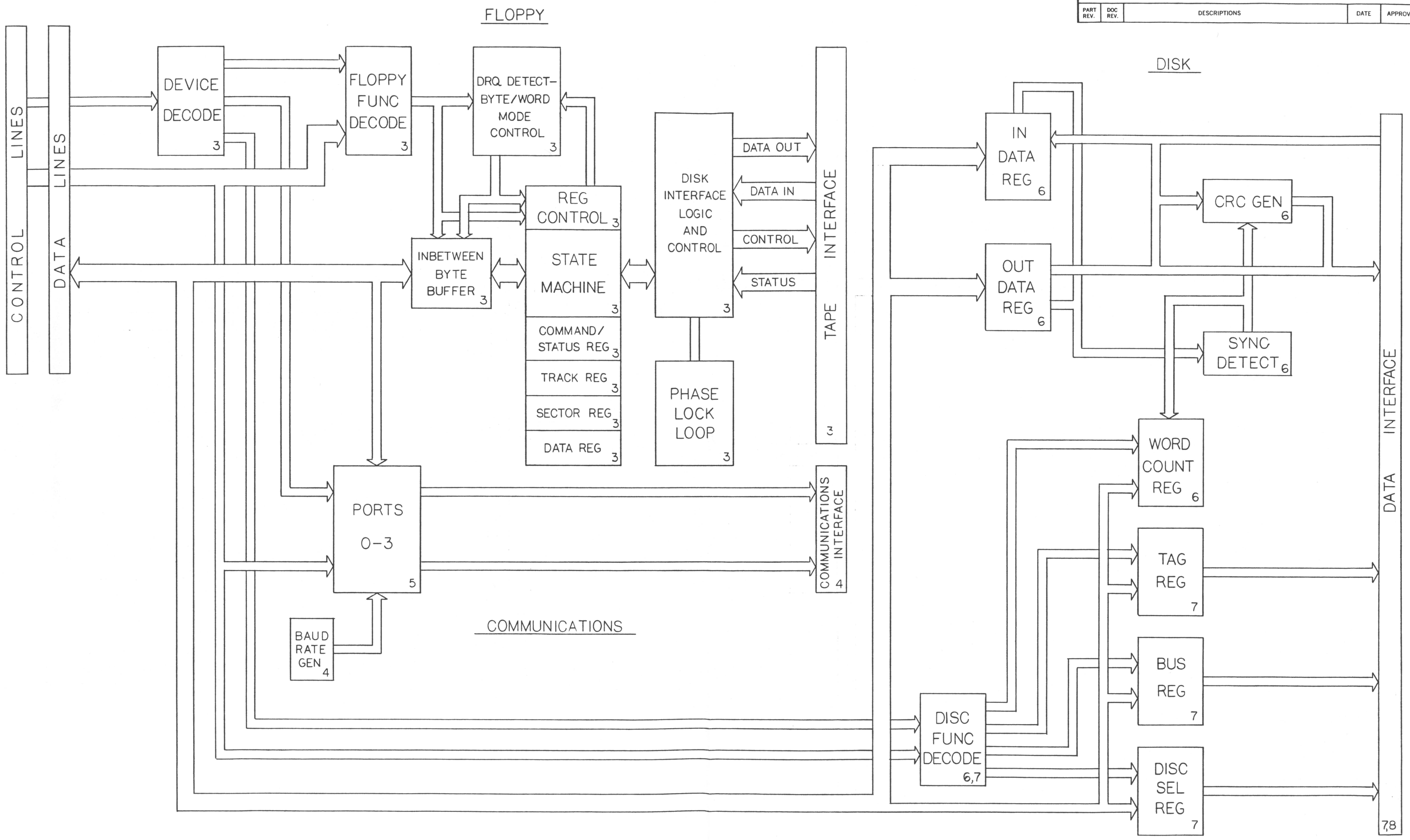
REVISIONS				
PART REV.	DOC REV.	DESCRIPTIONS	DATE	APPROVED
P	P	PRE-PRODUCTION	9/30/82	J.S.
A	A	INITIAL PRODUCTION RELEASE	12/1/82	J.S.
A	A1	REVISED PER ECO-629	8/1/83	J.S.
A	A2	REVISED PER ECO-648	L.B. #11-11-83 10/1/83	J.S.
B	B	REVISED PER ARTWORK CHANGE, DCN-0026	1-11-84	RS

7. UNUSED I.C. LOCATIONS - 12B, 13B, 17A
6. LAST USED REFERENCE DESIGNATOR:
 - A. CAPACITORS - C64
 - B. DIODES - CR1
 - C. RESISTORS - R24
5. ALL CAPACITORS ARE IN PICO FARADS.
4. ALL RESISTORS ARE IN OHMS, 1/4W, 5%.
3. FOR PARTS LIST SEE DWG. 21302 (LATEST REV.)
2. FOR ASSEMBLY SEE DWG. 21303 (LATEST REV.)
1. FOR P.C. BOARD DETAIL SEE DWG. 21300 (LATEST REV.)

NOTES: UNLESS OTHERWISE SPECIFIED

UNLESS OTHERWISE SPECIFIED DIMENSIONS ARE IN INCHES TOLERANCES ARE:		DATA CORPORATION Irvine, California 92714	
FRACTIONS ±	DECIMALS .XX ±	ANGLES ° ±	
APPROVALS		DATE	
DRAWN <i>D. Burke</i>		9-28-82	
CHECKED JOE BARANYAI		1-18-83	
PRODUCTION <i>LL</i>		1-21-83	
THIS DRAWING AND THE INFORMATION CONTAINED HEREIN ARE PROPRIETARY TO POINT 4 DATA CORPORATION AND SHALL NOT BE REPRODUCED, COPIED, USED, OR DISCLOSED TO OTHERS WITHOUT THE PRIOR WRITTEN CONSENT OF POINT 4 DATA CORPORATION.	SCALE	NEXT ASSEMBLY	REV
		D 21303	B
	DO NOT SCALE DRAWING	DRAWING NO. 21304	SHEET 1 OF 9

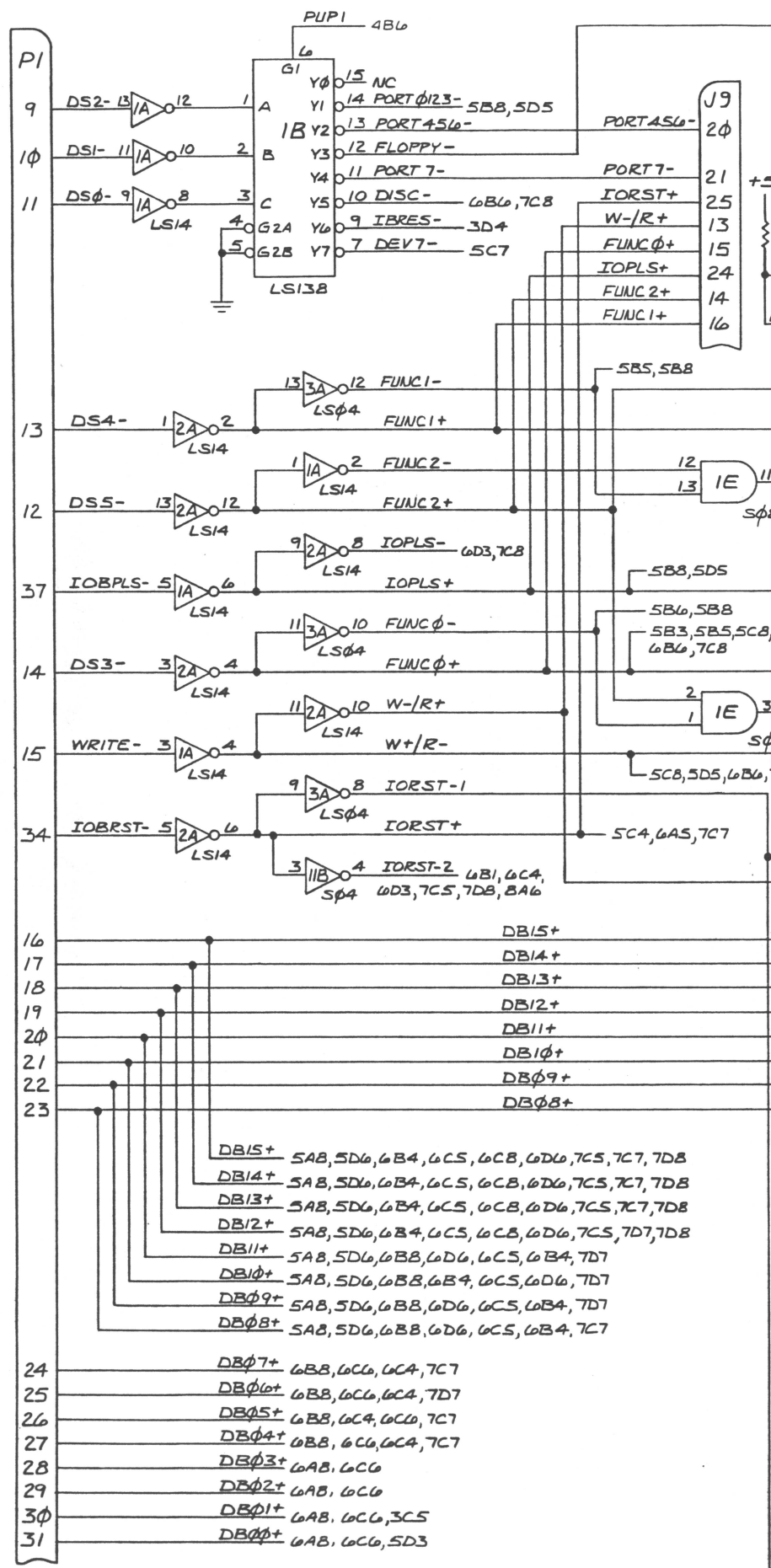
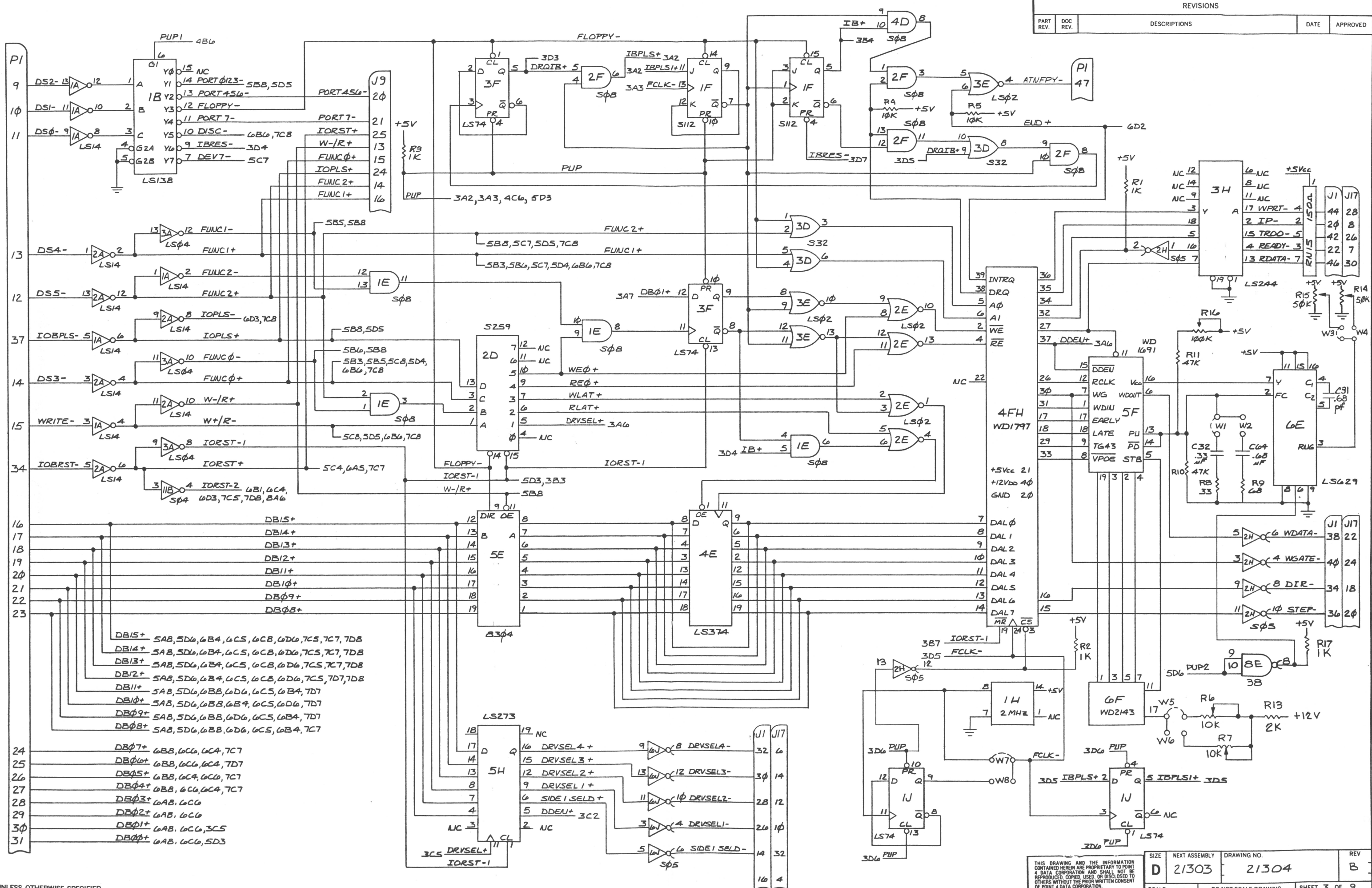
REVISIONS				
PART REV.	DOC REV.	DESCRIPTIONS	DATE	APPROVED



NOTES: UNLESS OTHERWISE SPECIFIED

SIZE	NEXT ASSEMBLY	DRAWING NO.	REV
D	21303	21304	B
SCALE	DO NOT SCALE DRAWING		SHEET 2 OF 9

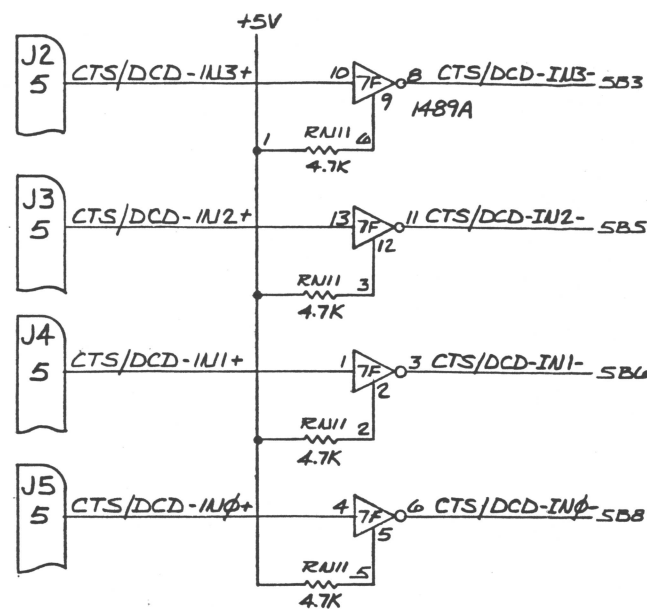
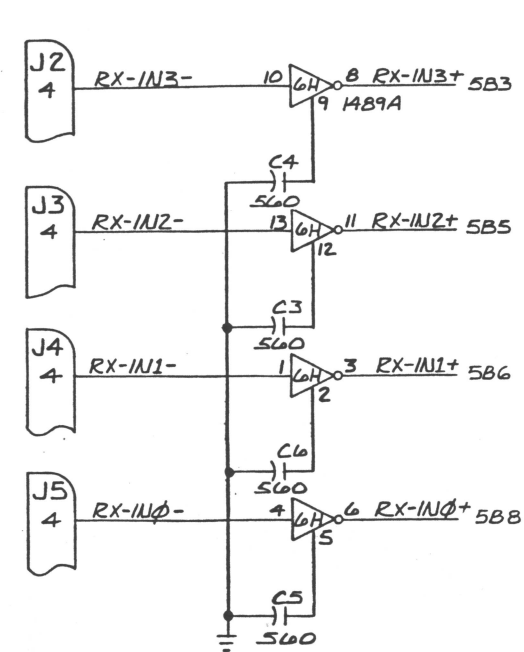
REVISIONS				
PART REV.	DOC REV.	DESCRIPTIONS	DATE	APPROVED



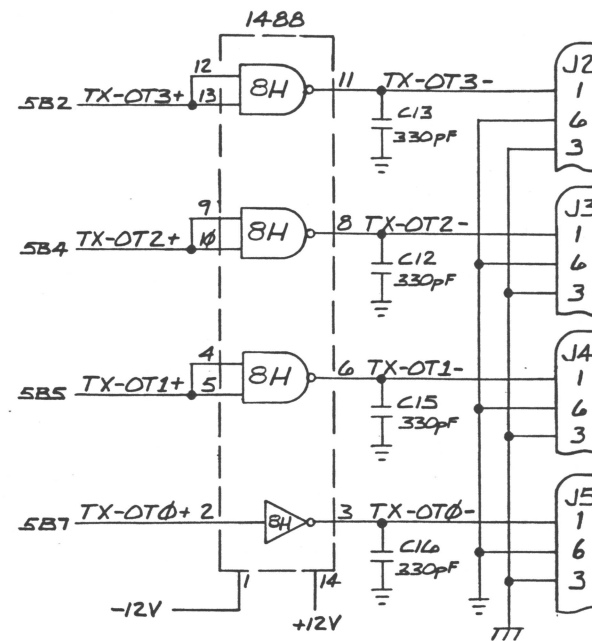
SIZE	NEXT ASSEMBLY	DRAWING NO.	REV
D	21303	21304	B
SCALE	DO NOT SCALE DRAWING		SHEET 3 OF 9

NOTES: UNLESS OTHERWISE SPECIFIED

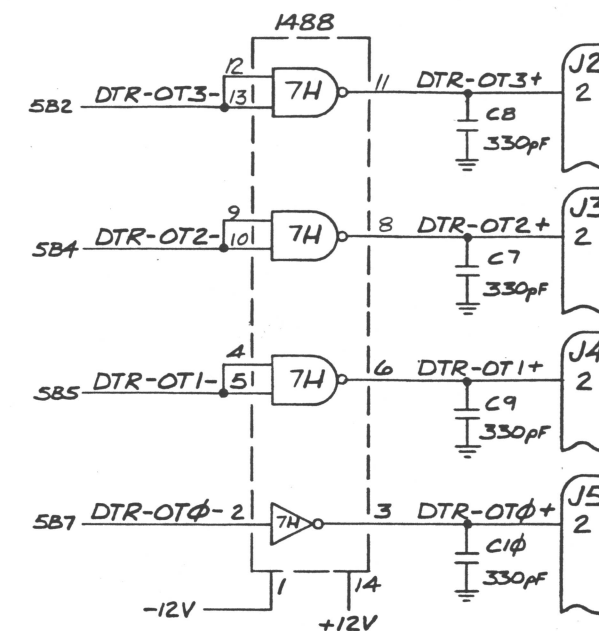
LINE RECEIVERS



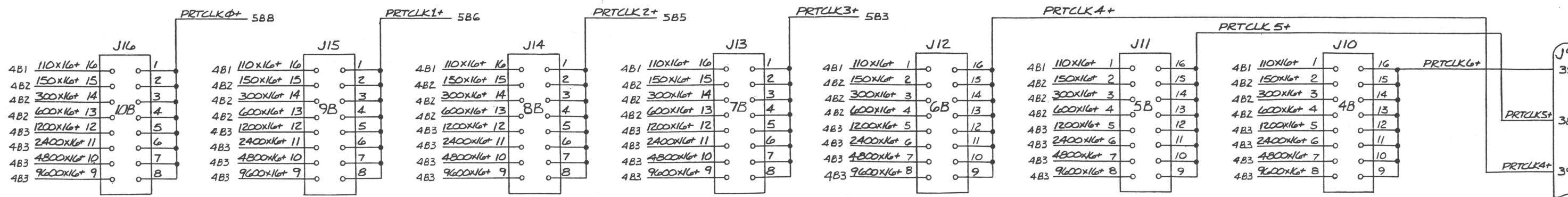
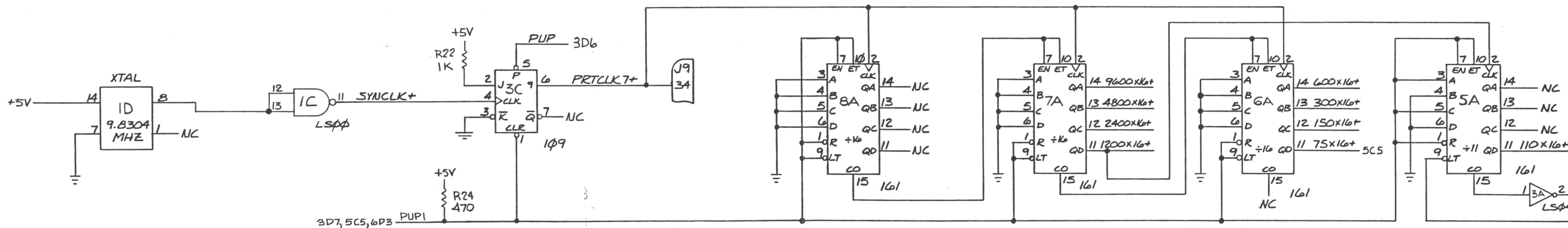
LINE DRIVERS



REVISIONS				
PART REV.	DOC REV.	DESCRIPTIONS	DATE	APPROVED

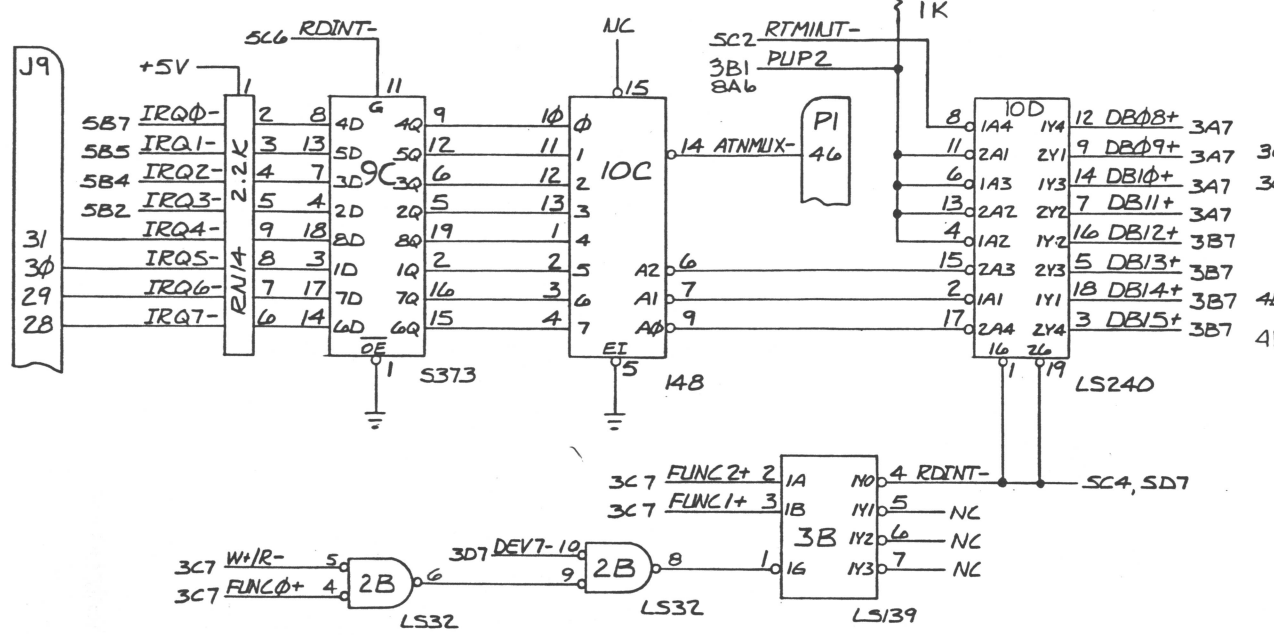


BAUD RATE GENERATOR

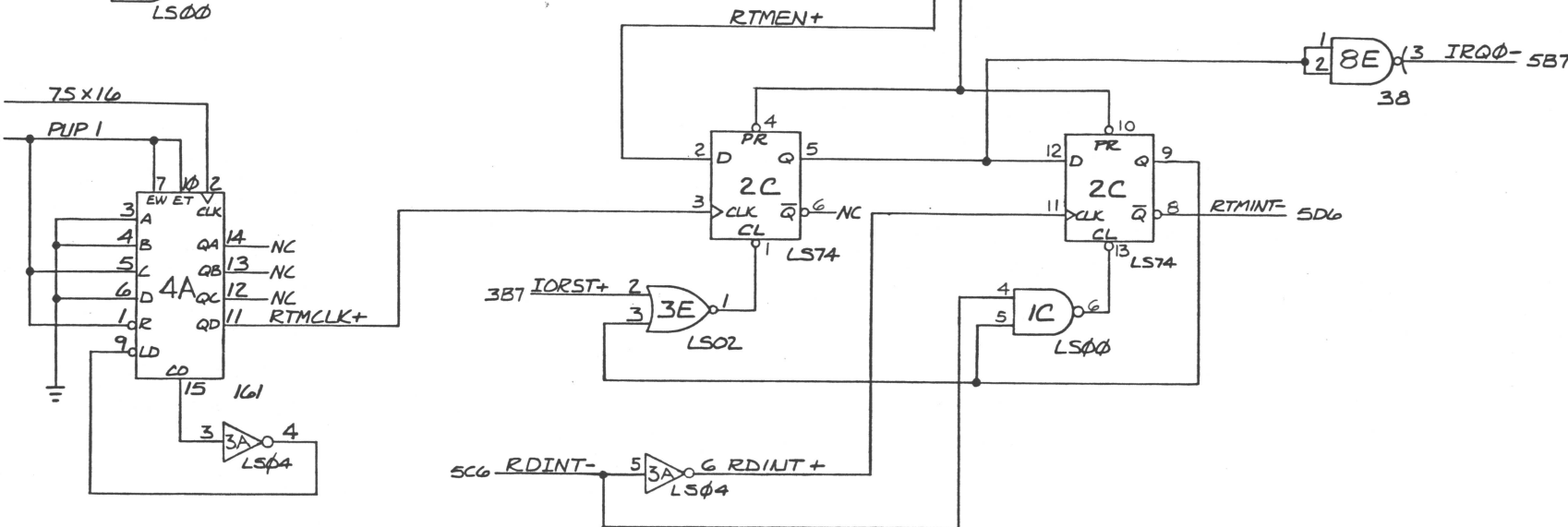


REVISIONS				
PART REV.	DOC REV.	DESCRIPTIONS	DATE	APPROVED

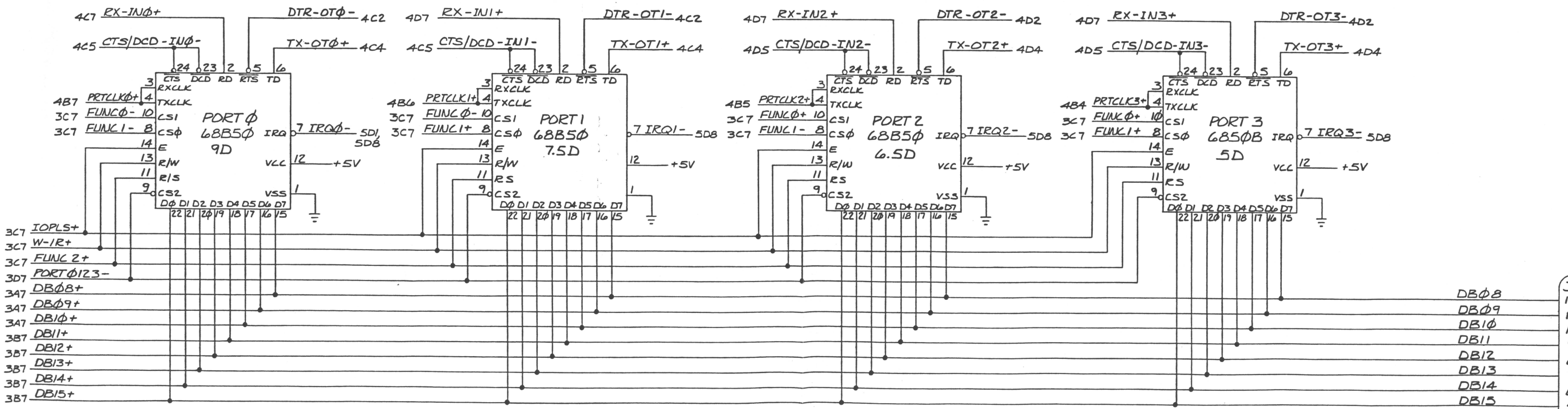
INTERRUPT PRIORITY



REAL TIME CLOCK



COMMUNICATION PORTS

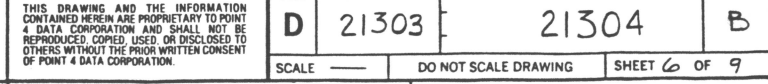
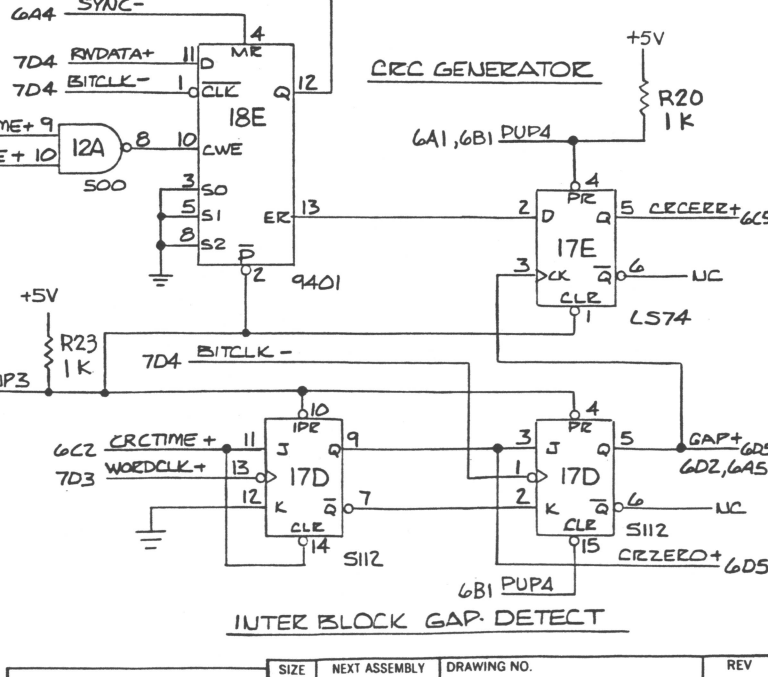
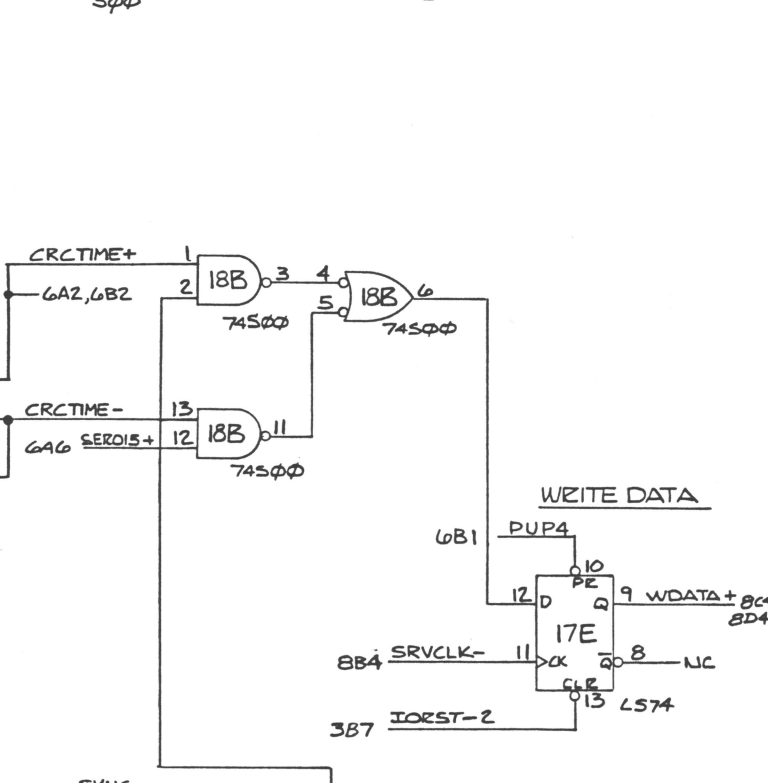
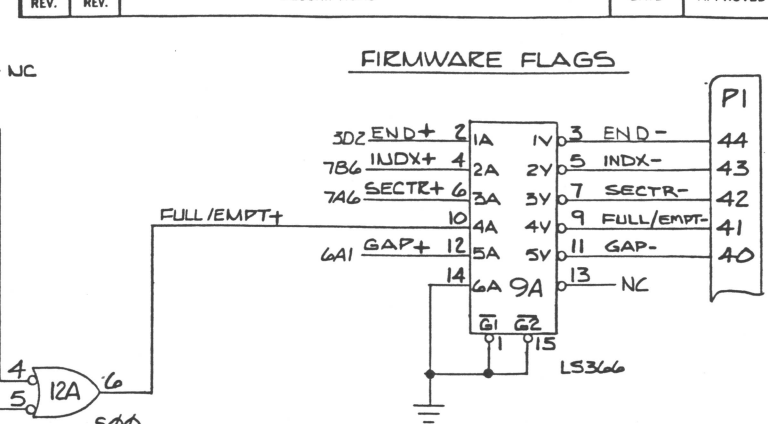
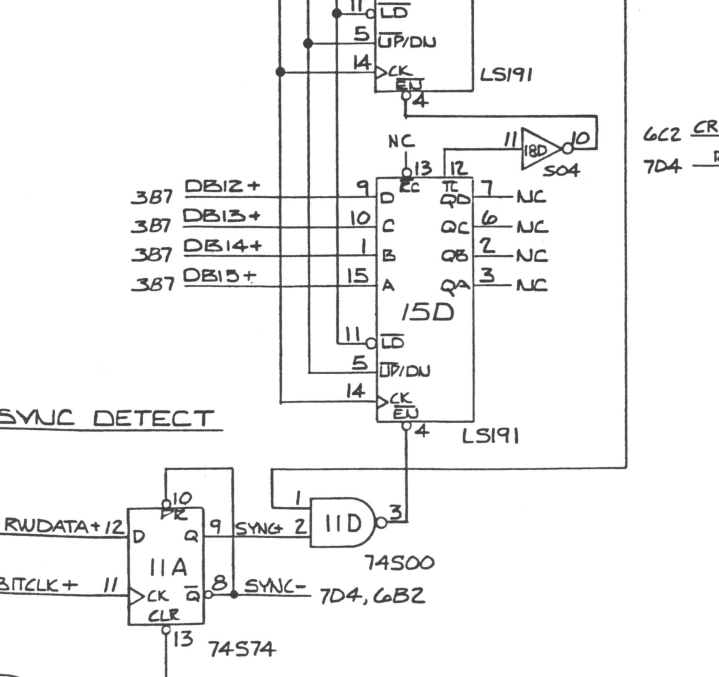
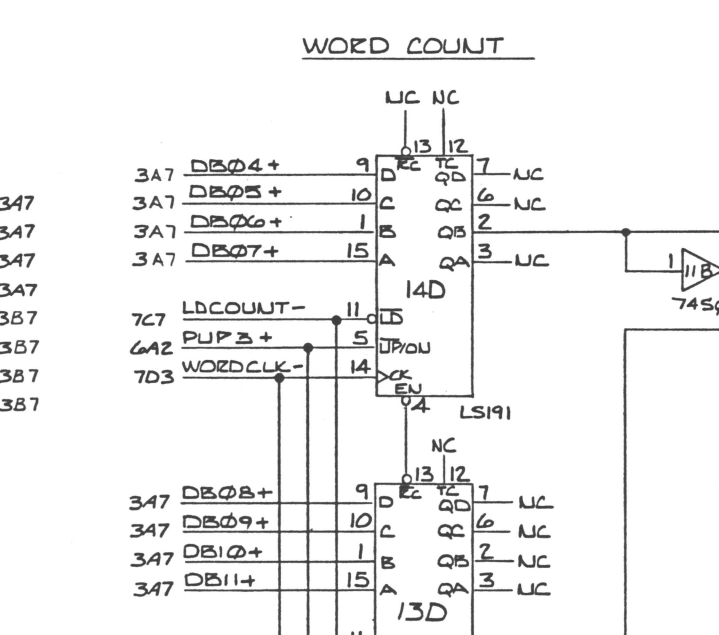
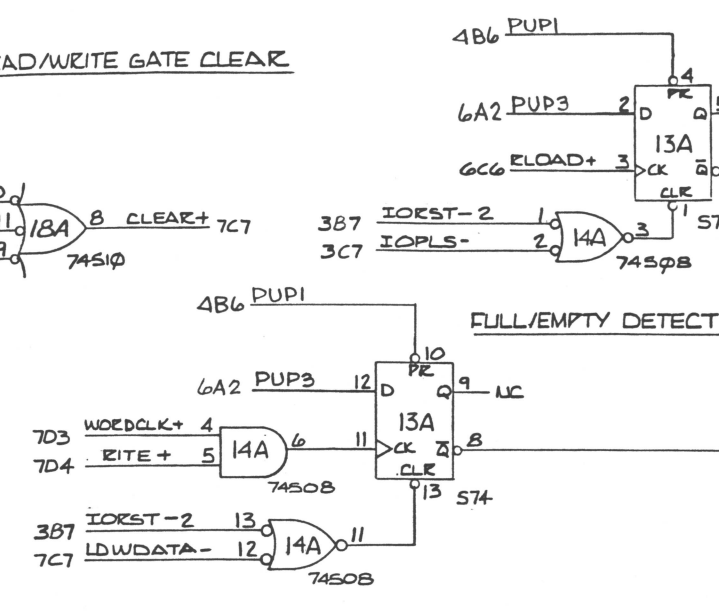
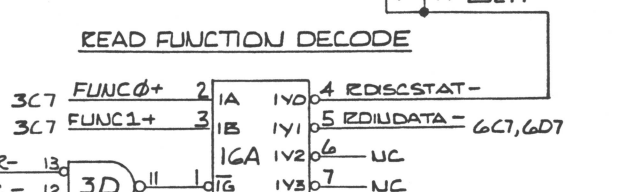
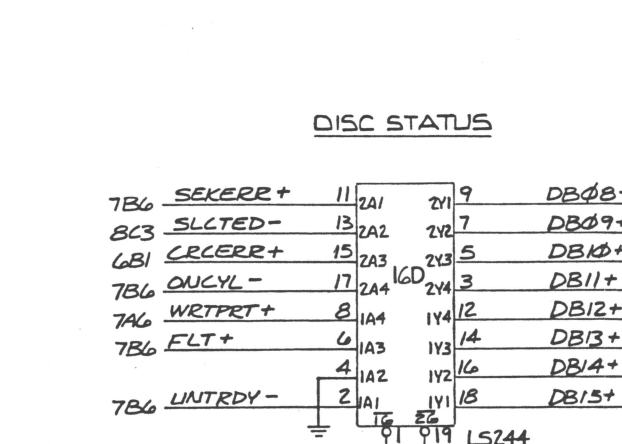
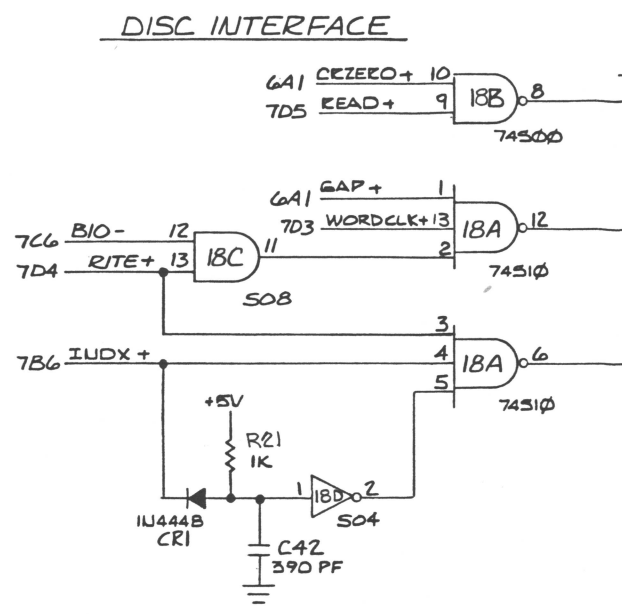
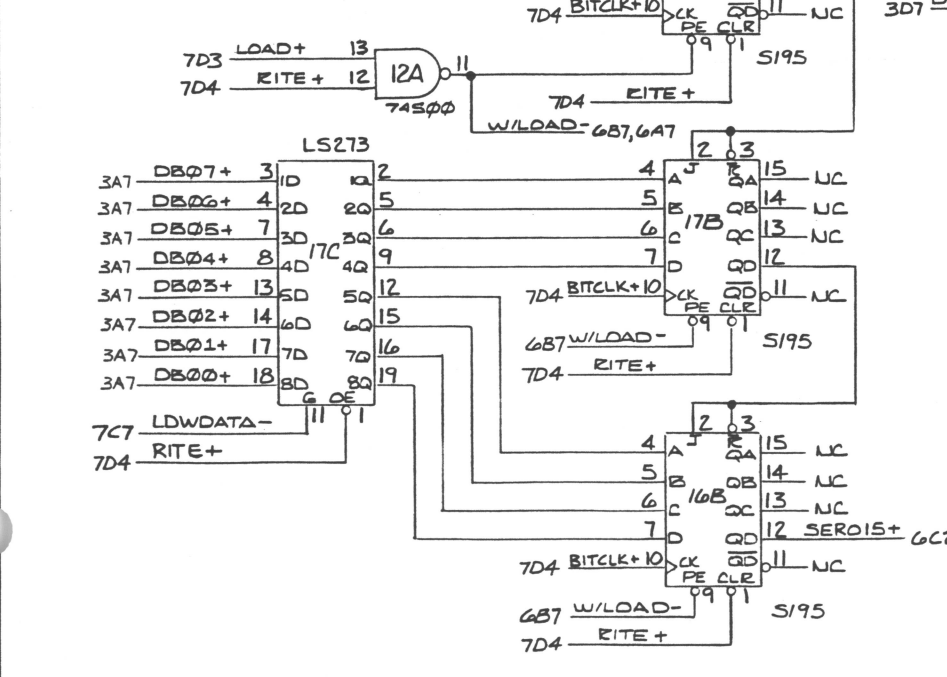
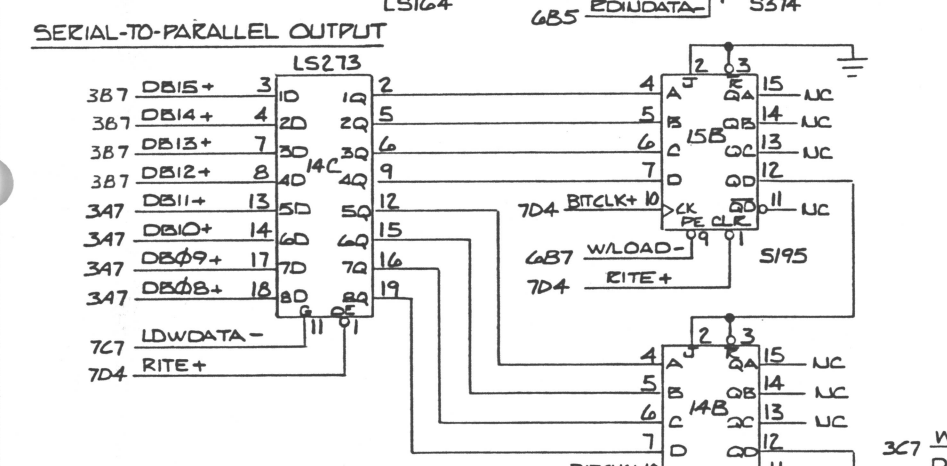
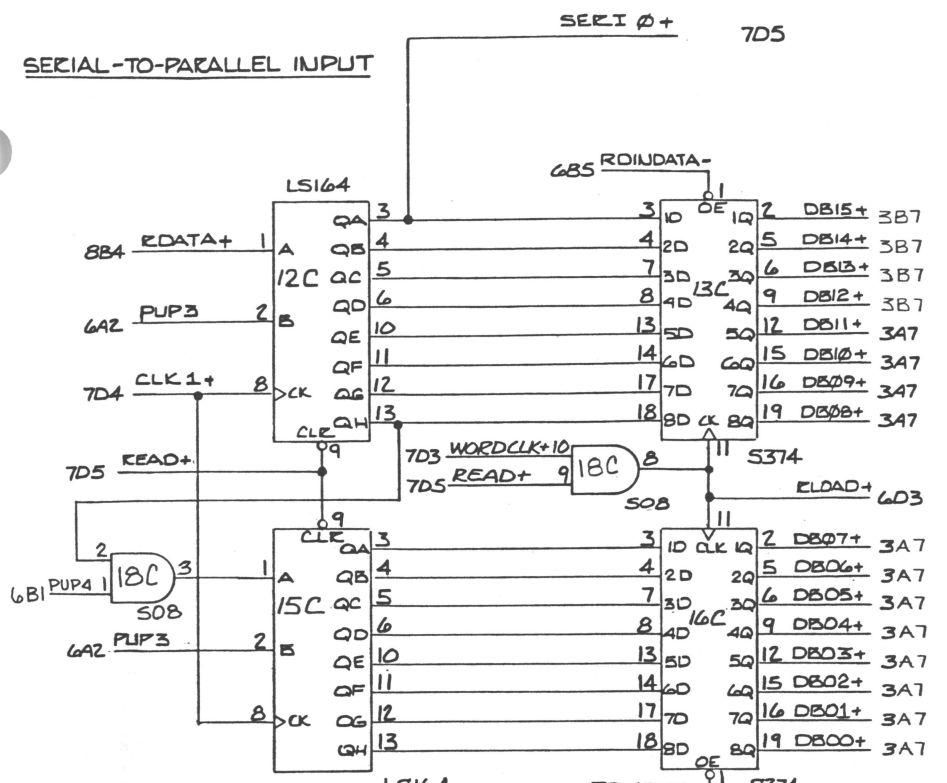


NOTES: UNLESS OTHERWISE SPECIFIED

THIS DRAWING AND THE INFORMATION CONTAINED HEREIN ARE PROPRIETARY TO POINT 4 DATA CORPORATION AND SHALL NOT BE REPRODUCED, COPIED, USED OR DISCLOSED TO OTHERS WITHOUT THE PRIOR WRITTEN CONSENT OF POINT 4 DATA CORPORATION.	SIZE	NEXT ASSEMBLY	DRAWING NO.	REV
D	21303	21304	B	
SCALE	DO NOT SCALE DRAWING	SHEET 5 OF 9		

REVISIONS				
PART REV.	DOC REV.	DESCRIPTIONS	DATE	APPROVED

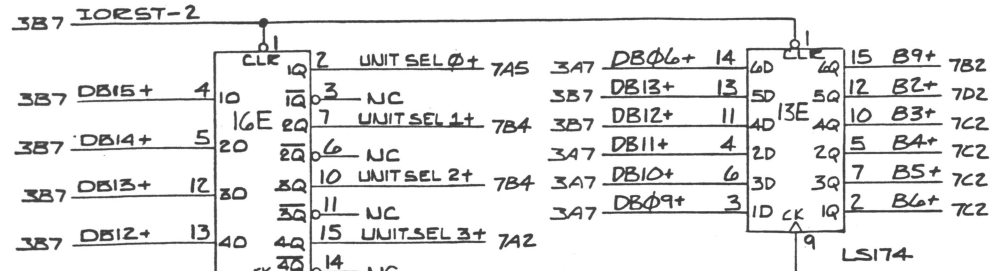
FIRMWARE FLAGS							
3DZ END+	2	1A	1V	3	END-	44	
7B6 IJDX+	4	2A	2Y	5	INDX-	43	
7A6 SECTR+	6	3A	3Y	7	SECTR-	42	
		10	4A	4V	9	FULL/EMPT-	41
6A1 GAP+	12	5A	5V	11	GAP-	40	
		14	6A	9A	13	NC	



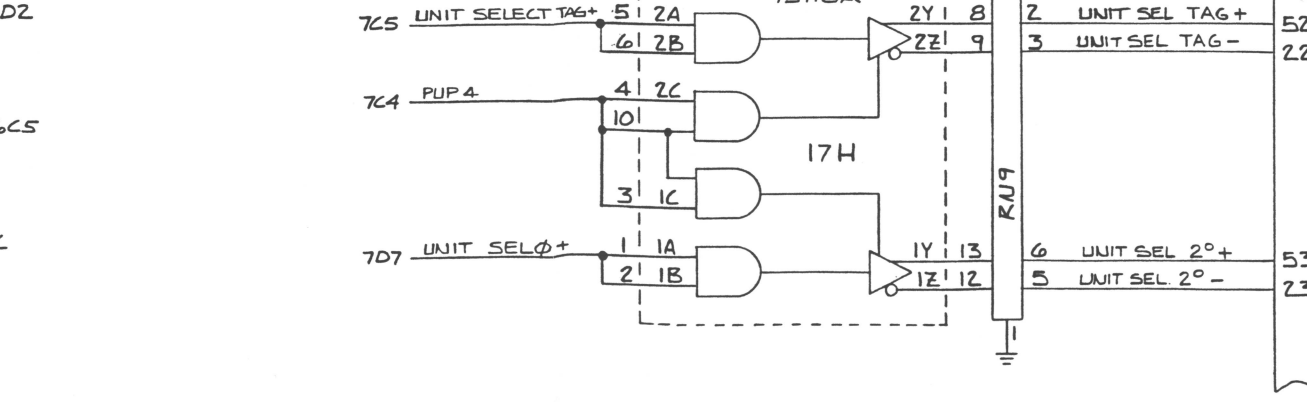
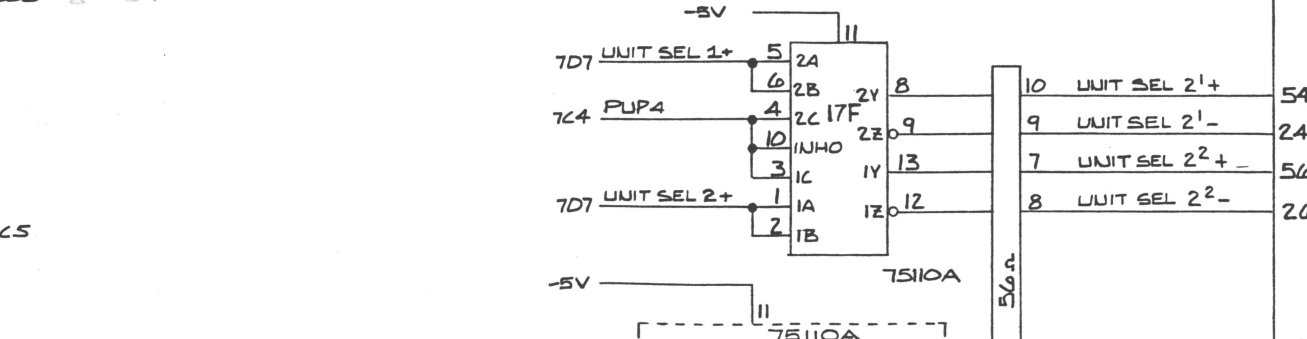
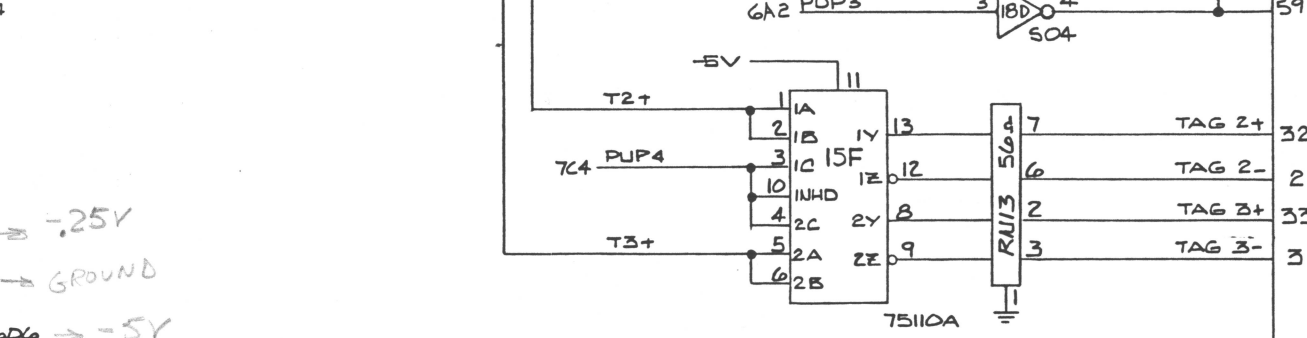
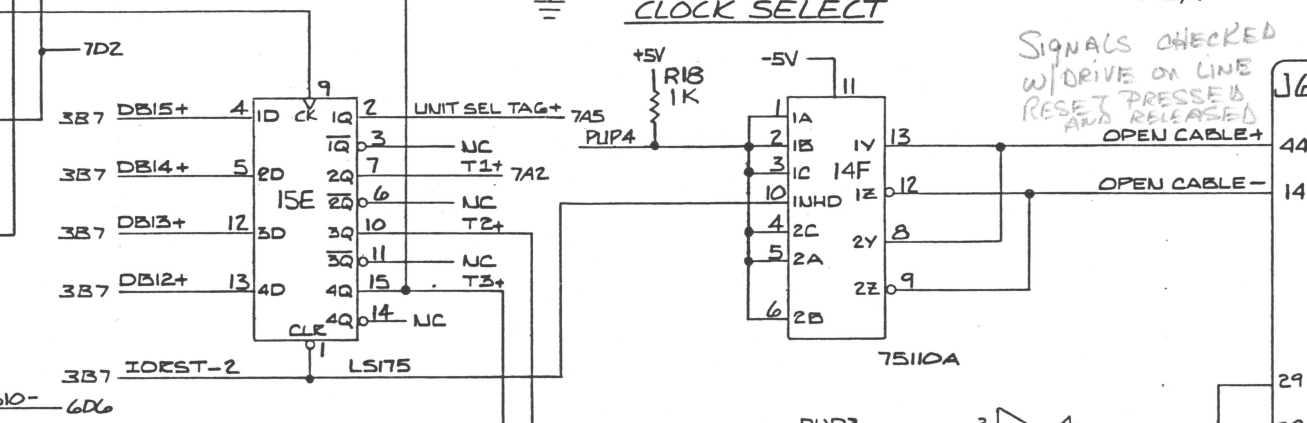
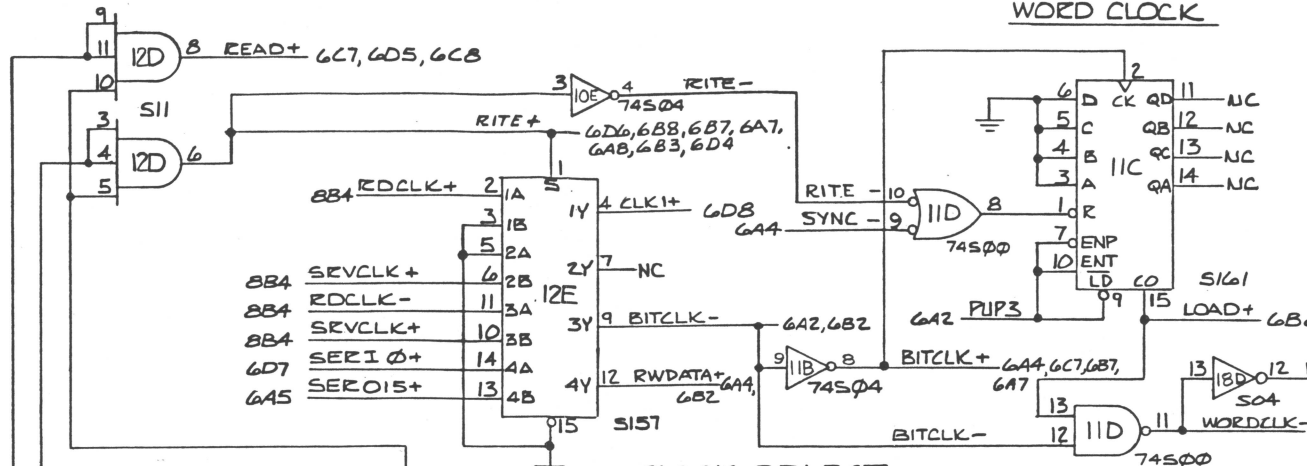
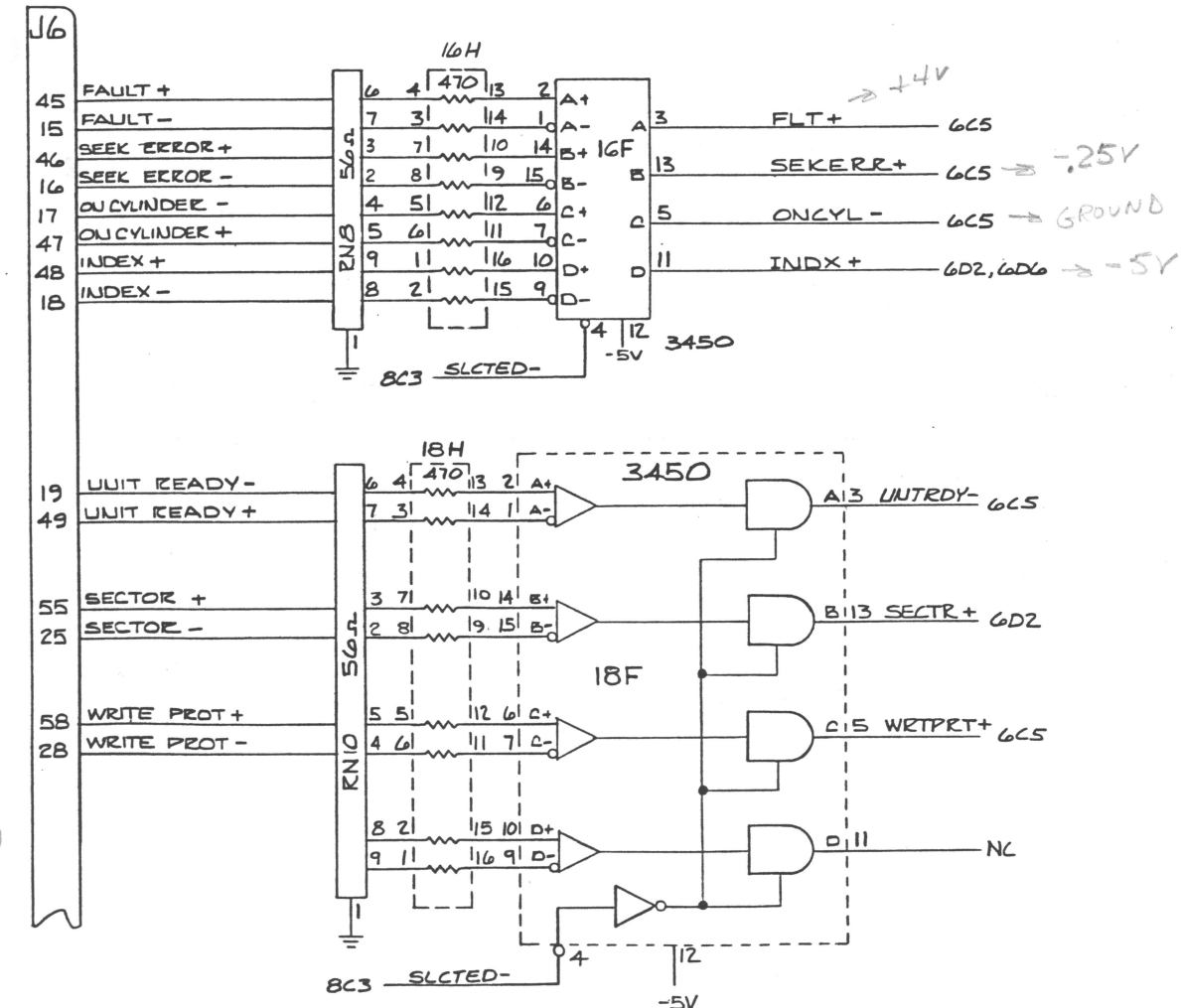
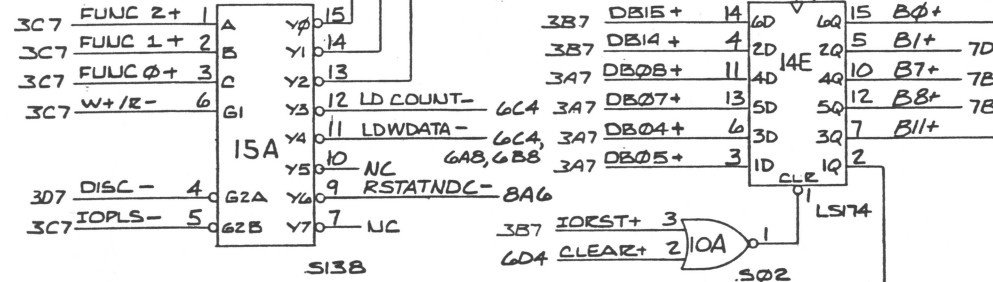
NOTES: UNLESS OTHERWISE SPECIFIED

THIS DRAWING AND THE INFORMATION CONTAINED HEREIN ARE PROPRIETARY TO POINT 4 DATA CORPORATION AND SHALL NOT BE REPRODUCED, COPIED, USED, OR DISCLOSED TO OTHERS WITHOUT THE PRIOR WRITTEN CONSENT OF POINT 4 DATA CORPORATION.	SIZE	NEXT ASSEMBLY	DRAWING NO.	REV
	D	21303	21304	B
SCALE	DO NOT SCALE DRAWING	SHEET 6 OF 9		

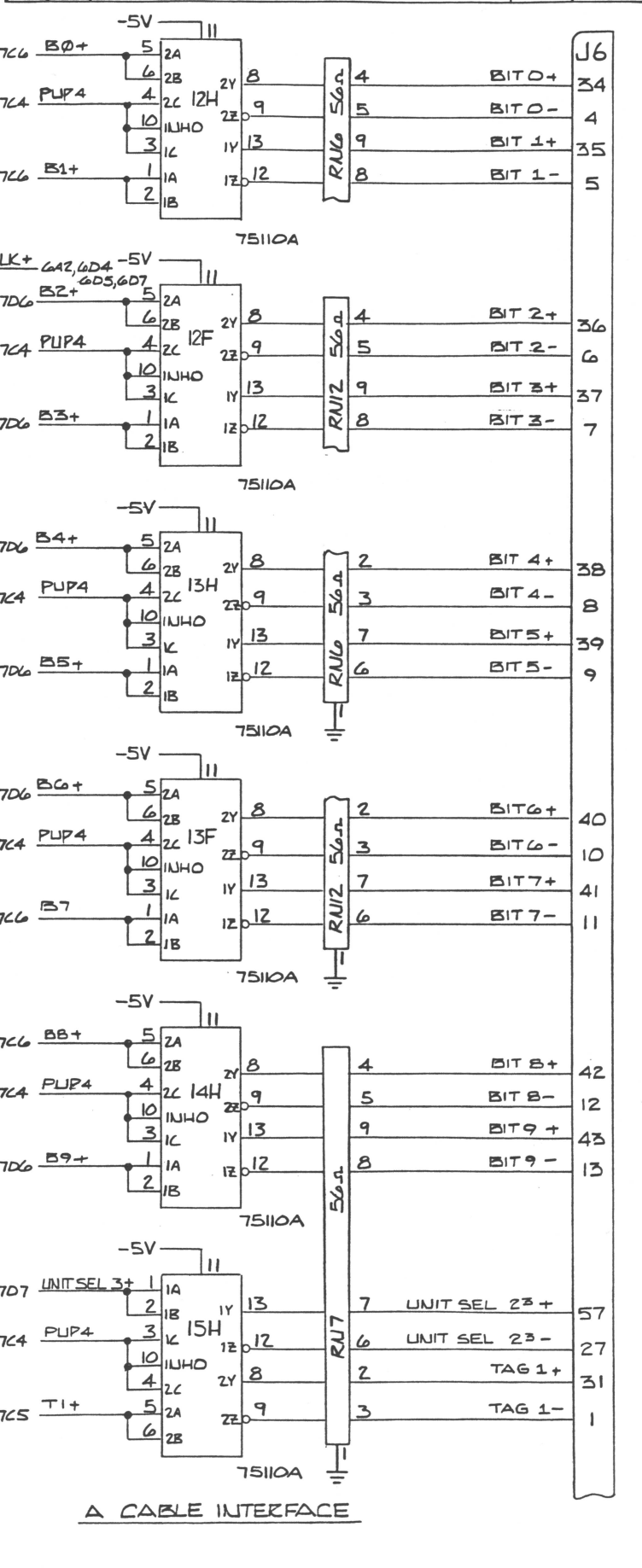
COMMAND REGS



WRITE FUNCTION DECODE

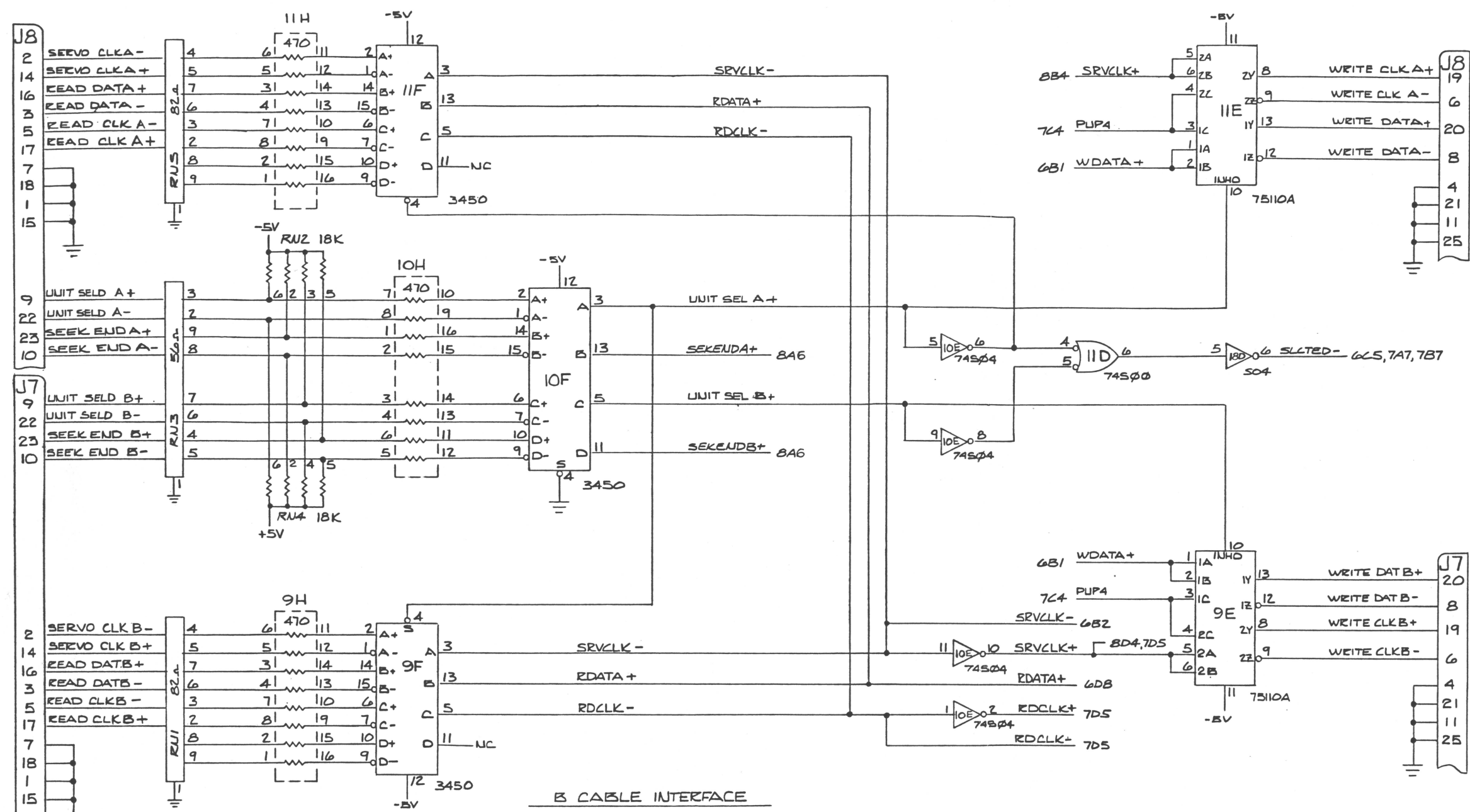


REVISIONS			
PART REV.	DOC REV.	DESCRIPTIONS	DATE APPROVED

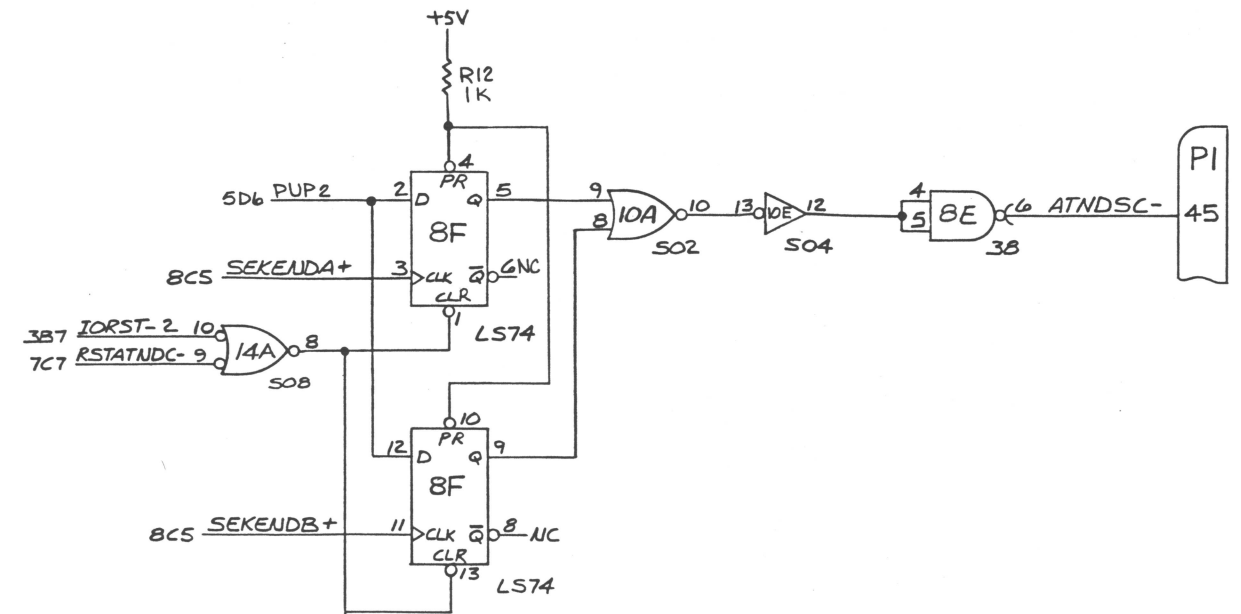


THIS DRAWING AND THE INFORMATION CONTAINED HEREIN ARE PROPRIETARY TO POINT 4 DATA CORPORATION AND SHALL NOT BE REPRODUCED, COPIED, USED OR DISCLOSED TO OTHERS WITHOUT THE PRIOR WRITTEN CONSENT OF POINT 4 DATA CORPORATION.	SIZE D	NEXT ASSEMBLY 21303	DRAWING NO. 21304	REV B
SCALE	DO NOT SCALE DRAWING	SHEET 7 OF 9		

REVISIONS				
PART REV.	DOC REV.	DESCRIPTIONS	DATE	APPROVED



B CABLE INTERFACE



NOTES: UNLESS OTHERWISE SPECIFIED

THIS DRAWING AND THE INFORMATION CONTAINED HEREIN ARE PROPRIETARY TO POINT 4 DATA CORPORATION AND SHALL NOT BE REPRODUCED, COPIED, USED, OR DISCLOSED TO OTHERS WITHOUT THE PRIOR WRITTEN CONSENT OF POINT 4 DATA CORPORATION.	SIZE	NEXT ASSEMBLY	DRAWING NO.	REV
	D	21303	21304	B
SCALE	DO NOT SCALE DRAWING		SHEET 8 OF 9	

CARD EDGE CONNECTOR

P1 TOP			P1 BOTTOM		
PIN	SIGNAL	DIRECT	PIN	SIGNAL	DIRECT
1	GND	IN	2	GND	IN
3	GND	IN	4	GND	IN
5	+5V	IN	6	+5V	IN
7	+5V	IN	8	+5V	IN
9	DS2-	IN	10	DS1-	IN
11	DS0-	IN	12	DS5-	IN
13	DS4-	IN	14	DS3-	IN
15	WRITE-	IN	16	DB15+	BI
17	DB14+	BI	18	DB13+	BI
19	DB12+	BI	20	DB11+	BI
21	DB10+	BI	22	DB09+	BI
23	DB08+	BI	24	DB07+	BI
25	DB06+	BI	26	DB05+	BI
27	DB04+	BI	28	DB03+	BI
29	DB02+	BI	30	DB01+	BI
31	DB00+	BI	32	GND	IN
33	GND	IN	34	IOBRST-	IN
35	GND	IN	36	GND	IN
37	IOBPLS	IN	38	GND	IN
39	GND	IN	40	GAP-	OUT
41	FULL/EMPT-	OUT	42	SECTR-	OUT
43	INDX-	OUT	44	END-	OUT
45	ATNDSC-	OUT	46	ATNMUX-	OUT
47	ATNFPY-	OUT	48	GND	IN
49	GND	IN	50		
51			52		
53			54		
55			56	GND	IN
57	GND	IN	58		
59			60	GND	IN
61	GND	IN	62		
63			64	GND	IN
65	GND	IN	66		
67			68	-5V	IN
69	-5V	IN	70	-5V	IN
71	GND	IN	72	GND	IN
73	-12V	IN	74	-12V	IN
75	-12V	IN	76	GND	IN
77	GND	IN	78	+12V	IN
79	+12V	IN	80	GND	IN
81	GND	IN	82		
83			84	GND	IN
85	GND	IN	86		
87			88	GND	IN
89	GND	IN	90		
91			92		
93	GND	IN	94	GND	IN
95	+5V	IN	96	+5V	IN
97	+5V	IN	98	+5V	IN
99	FR GND	IN	100	FR GND	IN

J1			J6		
PIN	SIGNAL	DIRECT	PIN	SIGNAL	DIRECT
1			2		
3	GND		4		
5	GND		6		
7			8		
9	GND		10		
11			12		
13			14	SIDE/SEL-	OUT
15			16		
17			18		
19			20	IP-	IN
21			22	READY-	IN
23			24		
25			26	DRVSEL1-	OUT
27			28	DRVSEL2-	OUT
29			30	DRVSEL3-	OUT
31			32	DRVSEL4-	OUT
33	GND		34	DIR-	OUT
35			36	STEP-	OUT
37	GND		38	WDATA-	OUT
39			40	WGATE-	OUT
41			42	TROO-	IN
43			44	WPRT-	IN
45			46	RDATA-	IN
47			48		
49	GND		50		

J9			J17		
PIN	SIGNAL	DIRECT	PIN	SIGNAL	DIRECT
1	GND		1	GND	
3	+5V		3	GND	
5	DB15+	BI	5	GND	
7	DB13+	BI	7	READY-	IN
9	DB11+	BI	9	GND	
11	DB09+	BI	11		
13	W-/R+	OUT	13		
15	FUNC 0+	OUT	15		
17	GND		17		
19	GND		19		
21	PORT 7-	OUT	21		
23	GND		23		
25	IORST+	OUT	25		
27	GND		27		
29	IRQ 6-	IN	29		
31	IRQ 4-	IN	31		
33	GND		33	GND	
35	PRTCLK 6+	OUT			
37	GND				
39	PRTCLK 4+	OUT			
41	+5V				
43	GND				
45	-12V				
47	GND				
49	FR GND				

J6			J7		
PIN	SIGNAL	DIRECT	PIN	SIGNAL	DIRECT
1	TAG 1-	OUT	1	GND	
2	TAG 2-	OUT	2	SERVO CLK B-	IN
3	TAG 3-	OUT	3	READ DAT B-	IN
4	BIT 0-	OUT	4	GND	
5	BIT 1-	OUT	5	READ CLK B-	IN
6	BIT 2-	OUT	6	WRITE CLK B-	OUT
7	BIT 3-	OUT	7	GND	
8	BIT 4-	OUT	8	WRITE DAT B-	OUT
9	BIT 5-	OUT	9	UNIT SEL B+	IN
10	BIT 6-	OUT	10	SEEK ENDB-	IN
11	BIT 7-	OUT	11	GND	
12	BIT 8-	OUT	12		
13	BIT 9-	OUT	13		
14	OPEN CABLE-	OUT	14	SERVO CLK B+	IN
15	FAULT-	IN	15	GND	
16	SEEK ERROR-	IN	16	READ DAT B+	IN
17	ON CYLINDER-	IN	17	READ CLK B+	IN
18	INDEX-	IN	18	GND	
19	UNIT READY-	IN	19	WRITE CLK B+	OUT
20			20	WRITE DAT B+	OUT
21			21	GND	
22	UNIT SEL TAG-	OUT	22	UNIT SEL B-	IN
23	UNIT SEL 2 ⁰ -	OUT	23	SEEK ENDB+	IN
24	UNIT SEL 2 ¹ -	OUT	24		
25	SECTOR-	IN	25	GND	
26	UNIT SEL 2 ² -	OUT	26		
27	UNIT SEL 2 ³ -	OUT			
28	WRITE PROT-	IN			
29					
30					

J17			J8		
PIN	SIGNAL	DIRECT	PIN	SIGNAL	DIRECT
1	GND		1	GND	
3	GND		2	SERVO CLKA	IN
5	GND		3	READ DATA-	IN
7	READY-	IN	4	GND	
9	GND		5	READ CLKA-	IN
11			6	WRITE CLKA-	OUT
13			7	GND	
15			8	WRITE DATA-	OUT
17			9	UNIT SEL A+	IN
19			10	SEEK ENDA-	IN
21			11	GND	
23			12		
25			13		
27			14	SERVO CLKA+	IN
29			15	GND	
31			16	READ DATA+	IN
33	GND		17	READ CLKA+	IN
			18	GND	
			19	WRITE CLKA+	OUT
			20	WRITE DATA+	OUT
			21	GND	
			22	UNIT SEL A-	IN
			23	SEEK ENDA+	IN
			24		
			25	GND	
			26		

J7			J2		
PIN	SIGNAL	DIRECT	PIN	SIGNAL	DIRECT
1	GND		1	TX-OT3-	OUT
2	SERVO CLK B-	IN	2	DTR-OT3+	OUT
3	READ DAT B-	IN	3	FR GND	
4	GND		4	RX-IN3-	IN
5	READ CLK B-	IN	5	CTS/DCD-113+	IN
6	WRITE CLK B-	OUT	6	GND	
7	GND				
8	WRITE DAT B-	OUT			
9	UNIT SEL B+	IN			
10	SEEK ENDB-	IN			
11	GND				
12					
13					

J8			J3		
PIN	SIGNAL	DIRECT	PIN	SIGNAL	DIRECT
1	GND		1	TX-OT2-	OUT
2	SERVO CLKA	IN	2	DTR-OT2+	OUT
3	READ DATA-	IN	3	FR GND	
4	GND		4	RX-IN2-	IN
5	READ CLKA-	IN	5	CTS/DCD-112+	IN
6	WRITE CLKA-	OUT	6	GND	
7	GND				
8	WRITE DATA-	OUT			
9	UNIT SEL A+	IN			
10	SEEK ENDA-	IN			
11	GND				
12					
13					

J2		
PIN	SIGNAL	DIRECT
1	TX-OT3-	OUT
2	DTR-OT3+	OUT
3	FR GND	
4	RX-IN3-	IN
5	CTS/DCD-113+	IN
6	GND	

J3		
PIN	SIGNAL	DIRECT
1	TX-OT2-	OUT
2	DTR-OT2+	OUT
3	FR GND	
4	RX-IN2-	IN
5	CTS/DCD-112+	IN
6	GND	

J4		
PIN	SIGNAL	DIRECT
1	TX-OT1-	OUT
2	DTR-OT1+	OUT
3	FR GND	
4	RX-IN1-	IN
5	CTS/DCD-111+	IN
6	GND	

J5		
PIN	SIGNAL	DIRECT
1	TX-OT0-	OUT
2	DTR-OT0+	OUT
3	FR GND	
4	RX-IN0-	IN
5	CTS/DCD-110+	IN
6	GND	

D
C
B