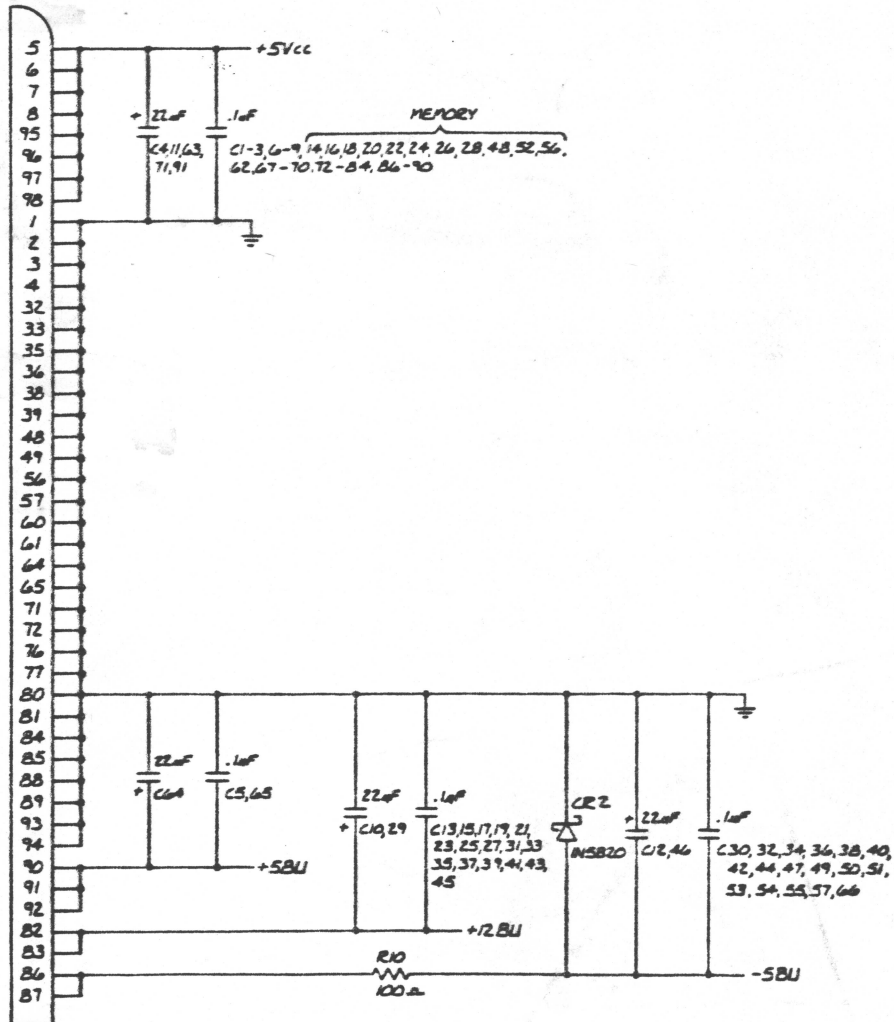


P1 - EDGE CONNECTOR



UNUSED GATES			
REF	TYPE	PIN NUMBER	
		IN	OUT
19E	74S05	1, 9, 11, 13	2, 8, 10, 12
2E	74S10	9, 10, 11	8
13A	74LS32	12, 13	11
17D	74S86	4, 5	6
15D	74S253		
8F	74S258		
8H	74S240	17	3

REVISIONS				
PART REV	DESC REV	DESCRIPTION	DATE	APPROVED
A	A	INITIAL PRODUCTION RELEASE	2-17-81	LDA
B	B	REVISED PER ECO-340	4-13-81	FV
B	B1	REVISED PER ECO-397	7-23-81	FV
B	B2	REVISED PER ECO-465	1-11-82	FV
C	C	REVISED PER ECO-591	7-23-82	B
D	D	REVISED PER ECO-614, 616	12-10-82	S

- 7. UNUSED I.C. LOC. - 1A, 2H,
- 6. LAST USED REF. DESIGNATORS.
 - A. CAPACITORS - C91
 - B. DIODES - CR2
 - C. RESISTORS - R19
 - D. JUMPERS - W8
- 5. ALL CAPACITOR VALUES ARE IN PICOFARADS.
- 4. ALL RESISTOR VALUES ARE IN OHMS, $\frac{1}{100}$ W, 5%.
- 3. FOR PARTS LIST SEE DWG. NO. 20002.
- 2. FOR ASSY SEE DWG. NO. 20003.
- 1. FOR P.C. BOARD DETAIL SEE DWG. NO. 20000.

TEST

UNLESS OTHERWISE SPECIFIED DIMENSIONS ARE IN INCHES TOLERANCES ARE: FRACTIONS DECIMALS ANGLES

POINT DATA CORPORATION
Irvine, California 92714

SCHMATIC DIAGRAM
MARK 3/4 CPU BD.
POINT 4

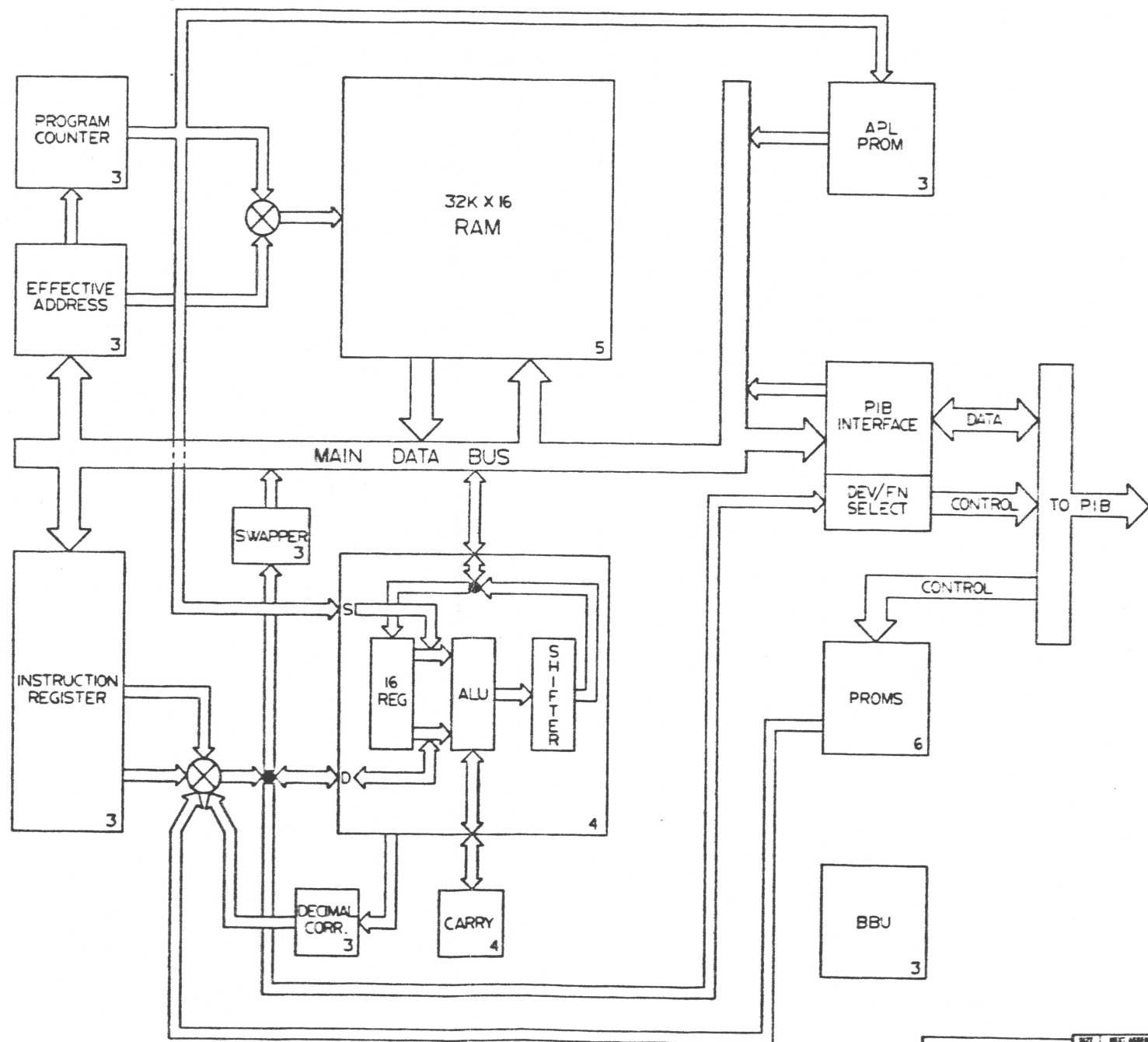
APPROVALS: DATE: 12-11-80
DRAWN: S. COOK, S.
CHECKED: J. G. [Signature]
PRODUCTION: [Signature] 2/12/81

SIZE: NEXT ASSEMBLY: DRAWING NO.:
D 20003 20103 20004

SCALE: DO NOT SCALE Drawing SHEET: 1 OF 1

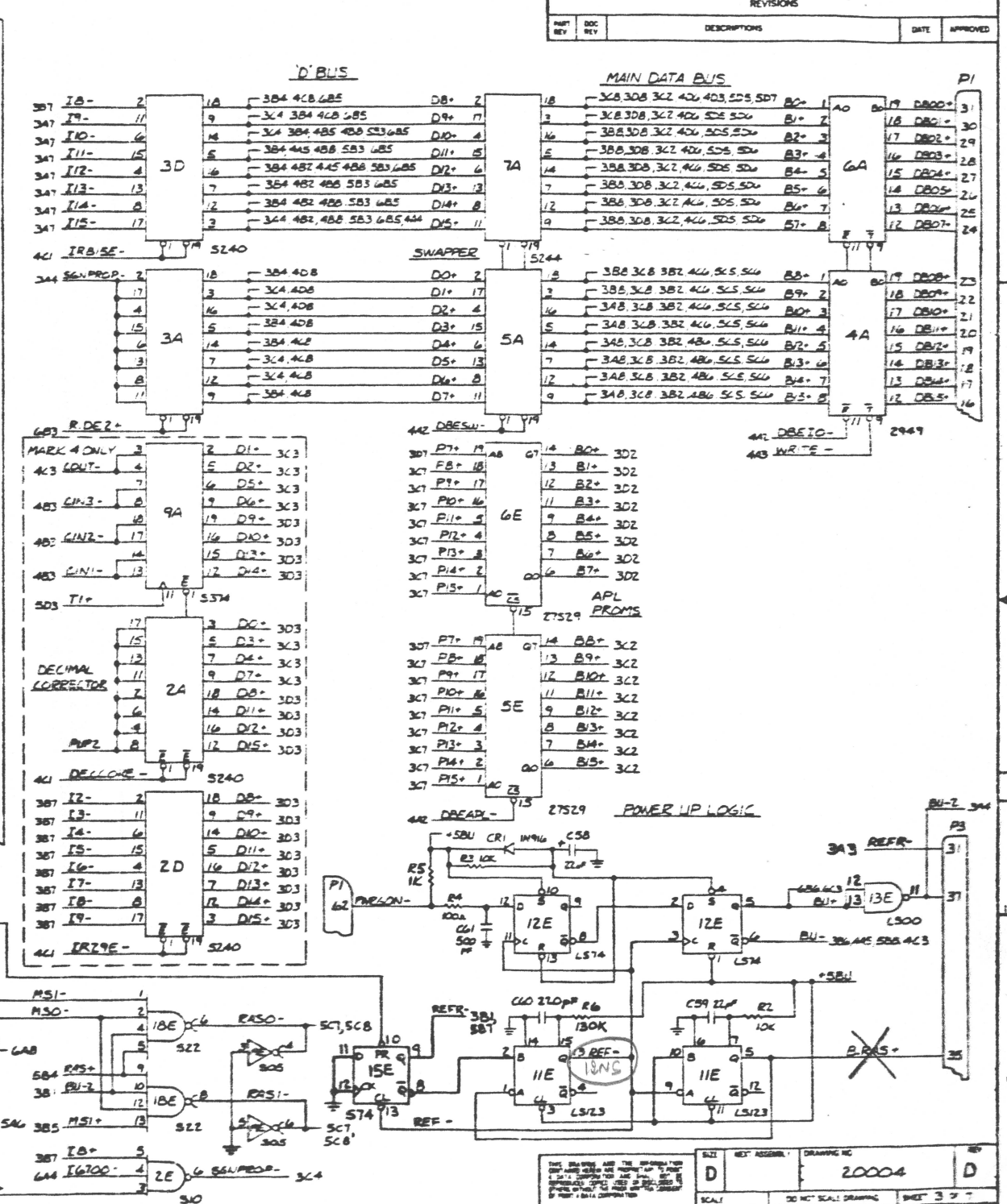
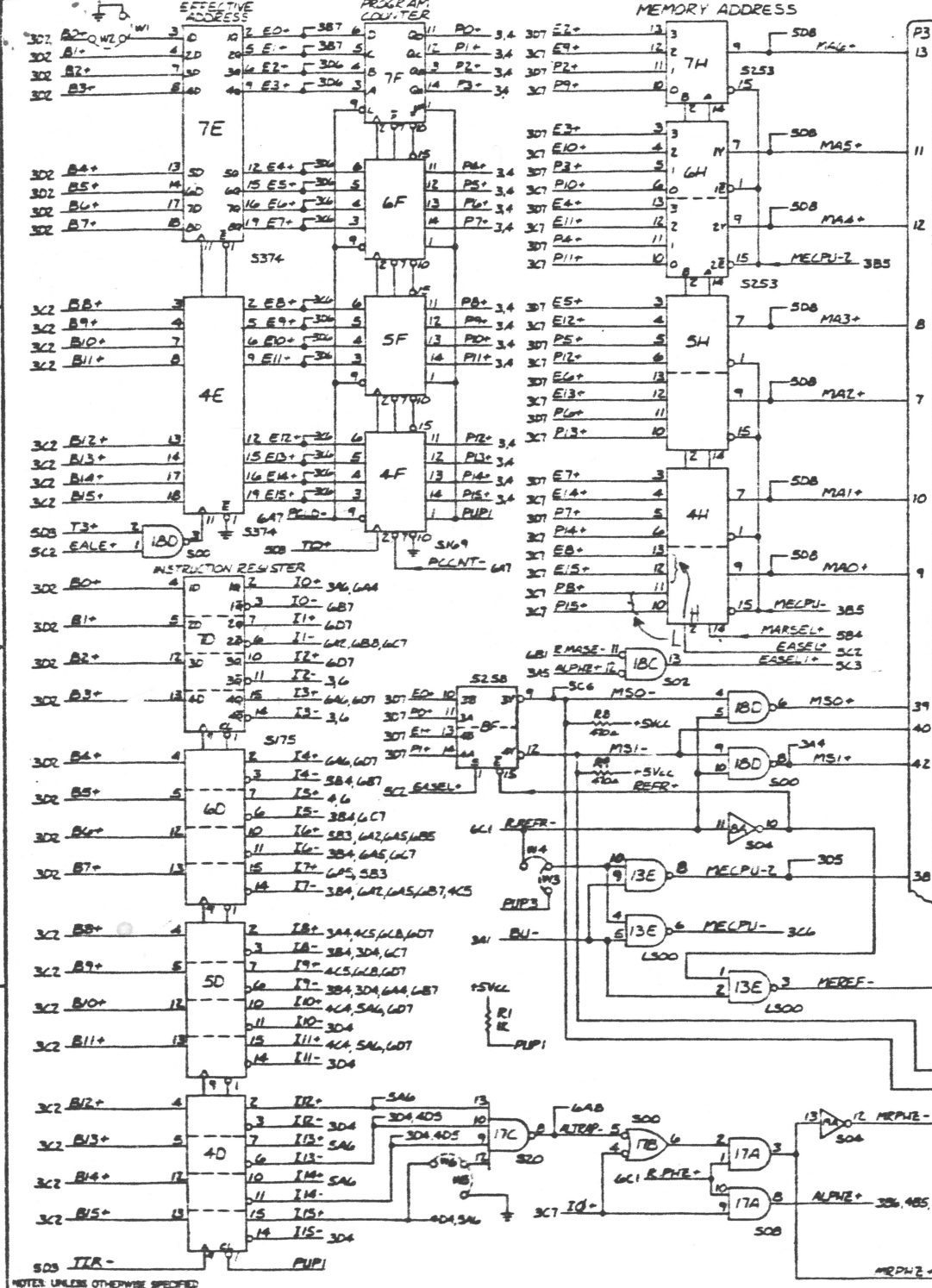
BLOCK DIAGRAM

REVISIONS				
REV	REV	DESCRIPTIONS	DATE	APPROVED



NOTES: UNLESS OTHERWISE SPECIFIED

DATE DRAWING AND THE INFORMATION FOR THE DRAWING SHALL BE THE PROPERTY OF THE COMPANY AND SHALL NOT BE REPRODUCED OR USED IN ANY MANNER WITHOUT THE WRITTEN PERMISSION OF THE COMPANY.	SIZE: D	REV: ASSEMBLY	DRAWING NO: 20004	REV: D
SCALE:	DO NOT SCALE DRAWING	SHEET 2 OF 7		



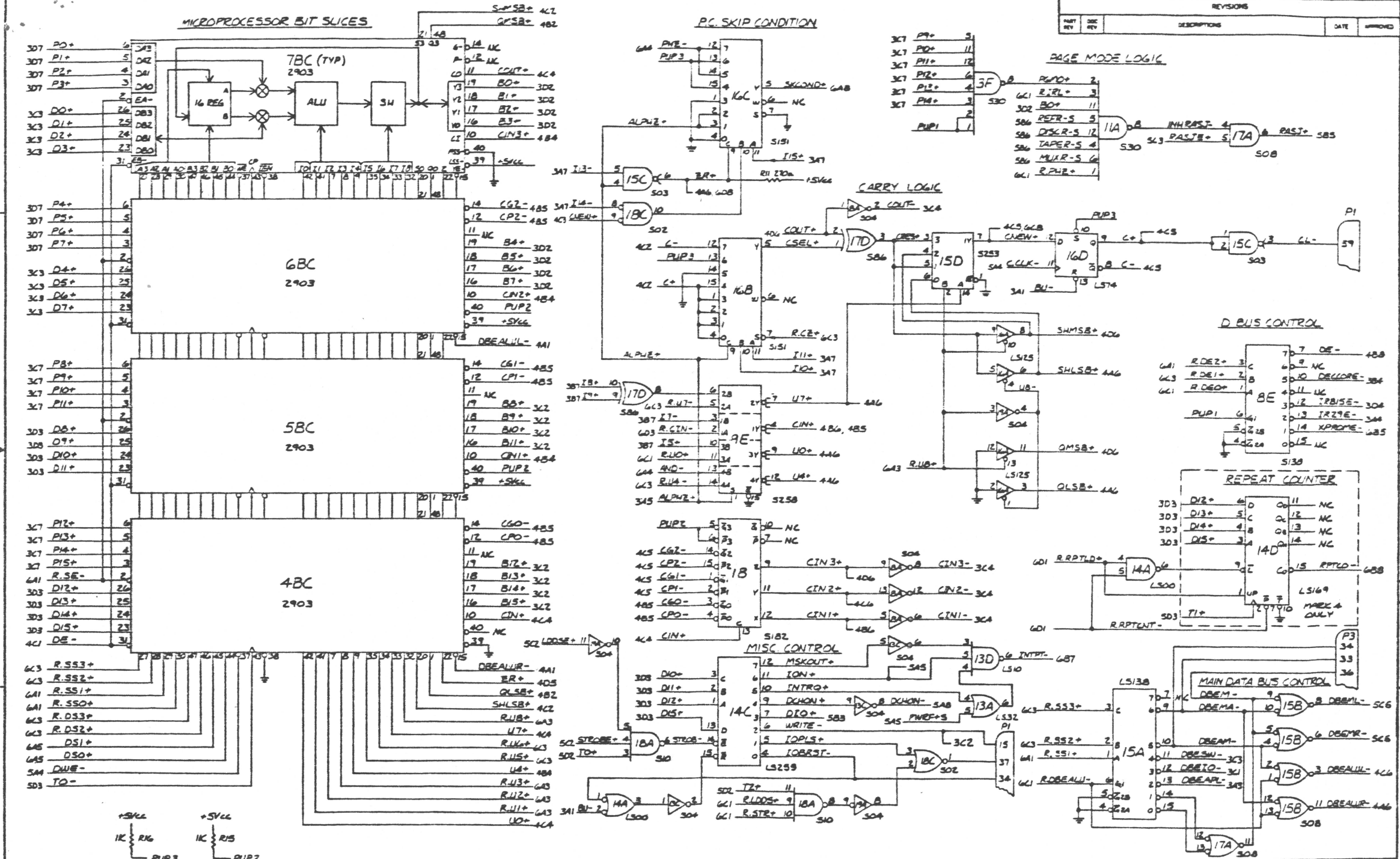
REVISIONS			
NO.	REV.	DESCRIPTIONS	DATE

NOTE: UNLESS OTHERWISE SPECIFIED

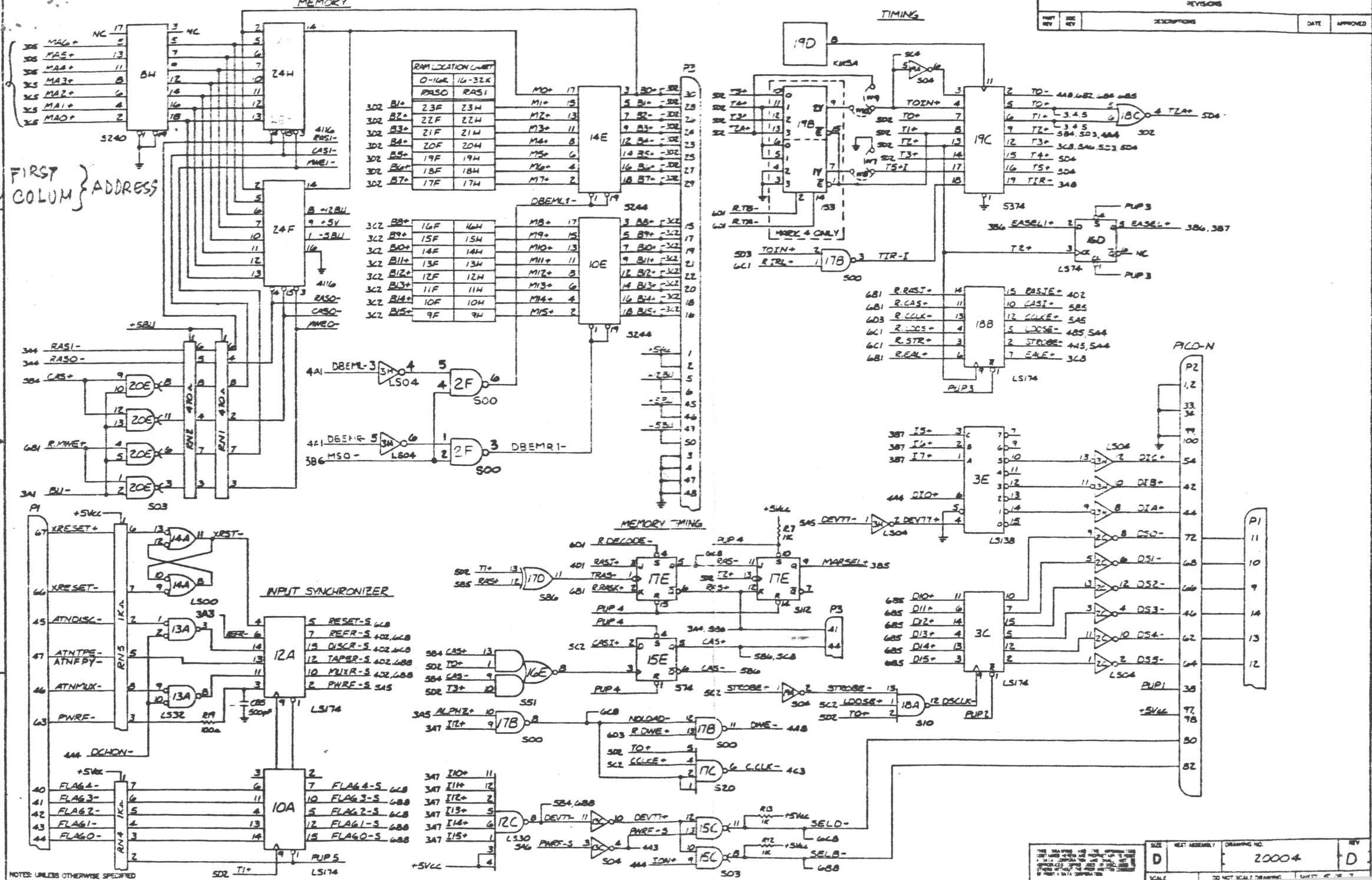
THIS DRAWING AND THE INFORMATION CONTAINED HEREIN ARE THE PROPERTY OF THE COMPANY AND ARE NOT TO BE REPRODUCED OR TRANSMITTED IN ANY FORM OR BY ANY MEANS, ELECTRONIC OR MECHANICAL, INCLUDING PHOTOCOPYING, RECORDING, OR BY ANY INFORMATION STORAGE AND RETRIEVAL SYSTEM, WITHOUT THE WRITTEN PERMISSION OF THE COMPANY.

SIZE	REV. ASSIGNED	DRAWING NO.	REV.
D		20004	D

SCALE: DO NOT SCALE DRAWING SHEET 3 OF 7



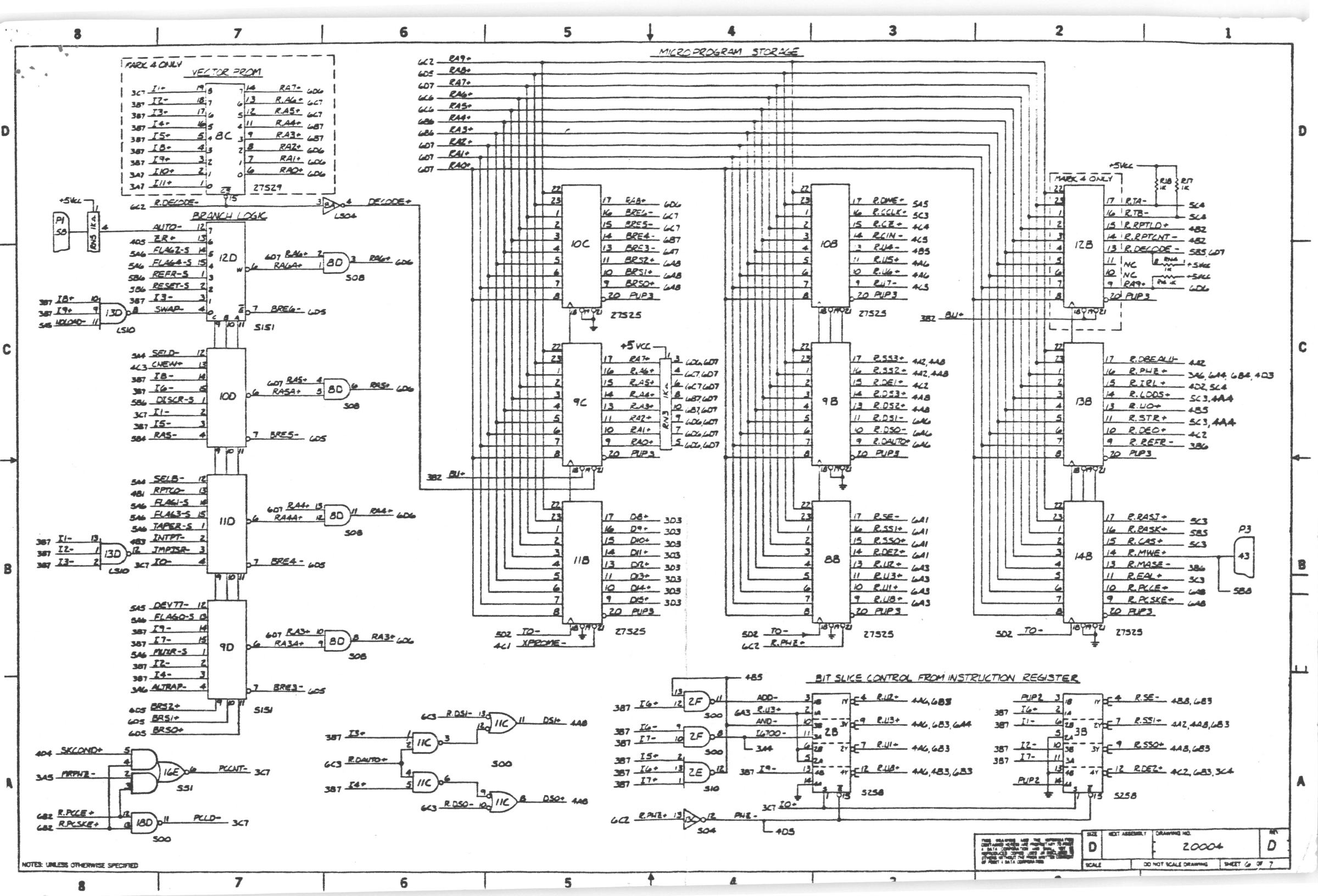
REV		DESCRIPTION	DATE	APPROVED



FIRST COLUMN ADDRESS

NOTES: UNLESS OTHERWISE SPECIFIED

THIS DRAWING IS THE PROPERTY OF THE COMPANY AND IS NOT TO BE REPRODUCED OR TRANSMITTED IN ANY FORM OR BY ANY MEANS, ELECTRONIC OR MECHANICAL, INCLUDING PHOTOCOPYING, RECORDING, OR BY ANY INFORMATION STORAGE AND RETRIEVAL SYSTEM.	SIZE: D	NEXT ASSEMBLY: 20004	DRAWING NO.: 20004	REV: D
--	---------	----------------------	--------------------	--------



MARK 4 ONLY VECTOR PROM

3C7	I1-	19	8	14	RAT-	6D6
3B7	I2-	18	7	13	RAG-	6C7
3B7	I3-	17	6	12	RA5-	6C7
3B7	I4-	16	5	11	RAA-	6B7
3B7	I5-	15	4	10	RA3-	6B7
3B7	I6-	14	3	9	RA2-	6D6
3B7	I7-	13	2	8	RA1-	6D6
3A7	I10-	10	1	7	RA1-	6D6
3A7	I11-	10	0	6	RA0-	6D6

MICROPROGRAM STORAGE

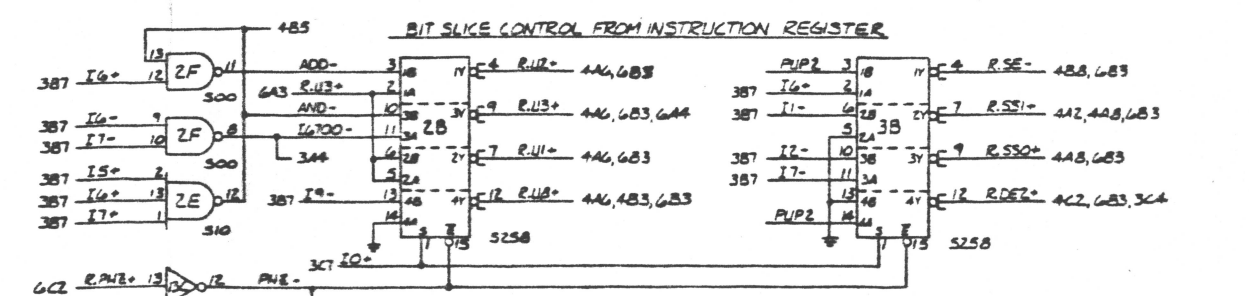
6C2	RA9+	
6D5	RA8+	
6D7	RA7+	
6L6	RA6+	
6L6	RA5+	
6B6	RA4+	
6B6	RA3+	
6D7	RA2+	
6D7	RA1+	
6D7	RA0+	

MARK 4 ONLY

17	R.PA-	5C4
16	R.PB-	5C4
15	R.PPTLD+	4B2
14	R.PPTLD-	4B2
13	R.DECODE-	5B5, 6D7
11	NC	+5VCC
10	NC	+5VCC
9	RA9+	PA-6, 6D6
20	PUP3	

17	R.DBEALU-	4A2
16	R.PHE+	3A6, 4A4, 6B4, 4D3
15	R.RBL+	4D2, 5C4
14	R.LD05+	5C3, 4A4
13	R.LD0+	4B5
11	R.STR+	5C3, 4A4
10	R.DC0+	4C2
9	R.PREF-	3B6
20	PUP3	

17	R.RASJ+	5C3
16	R.BASK+	5B5
15	R.CAS+	5C3
14	R.MWE+	3B6
13	R.MASE-	3B6
11	R.EAL+	5C3
10	R.PCLE+	6A8
9	R.PSKE+	6A8
20	PUP3	



NOTES: UNLESS OTHERWISE SPECIFIED

SIZE	TEXT ASSEMBLY	DRAWING NO.	REV.
D		20004	D
SCALE	DO NOT SCALE DRAWING	SHEET	6 OF 7

PART REV		DOC REV		REVISIONS		DATE	APPROVED

CARD EDGE CONNECTOR

P1					
TOP			BOTTOM		
PIN	SIGNAL	DIRECT.	PIN	SIGNAL	DIRECT.
1	GND	IN	2	GND	IN
3	GND	IN	4	GND	IN
5	+5V	IN	6	+5V	IN
7	+5V	IN	8	+5V	IN
9	DS2-	OUT	10	DS1-	OUT
11	DS0-	OUT	12	DSS-	OUT
13	DS4-	OUT	14	DS3-	OUT
15	WRITE-	OUT	16	DB15+	BI
17	DB14+	BI	18	DB13+	BI
19	DB12+	BI	20	DB11+	BI
21	DB10+	BI	22	DB09+	BI
23	DB08+	BI	24	DB07+	BI
25	DB06+	BI	26	DB05+	BI
27	DB04+	BI	28	DB03+	BI
29	DB02+	BI	30	DB01+	BI
31	DB00+	BI	32	GND	IN
33	GND	IN	34	IOBRST-	OUT
35	GND	IN	36	GND	IN
37	IOBPLS-	OUT	38	GND	IN
39	GND	IN	40	FLAG4-	IN
41	FLAG3-	IN	42	FLAG2-	IN
43	FLAG1-	IN	44	FLAG0-	IN
45	ATNDISC-	IN	46	ATNMLX-	IN
47	ATNTRE-	IN	48	GND	IN
49	GND	IN	50		
51			52		
53			54		
55			56	GND	IN
57	GND	IN	58	AUTO-	IN
59	CL-	OUT	60	GND	IN
61	GND	IN	62	PWRGON-	IN
63	PWRF-	IN	64	GND	IN
65	GND	IN	66	XRESET-	IN
67	XRESET+	IN	68		
69			70		
71	GND	IN	72	GND	IN
73			74		IN
75			76	GND	IN
77	GND	IN	78		
79			80	GND	IN
81	GND	IN	82	+12BU	IN
83	+12BU	IN	84	GND	IN
85	GND	IN	86	-5BU	IN
87	-5BU	IN	88	GND	IN
89	GND	IN	90	+5BU	IN
91	+5BU	IN	92	+5BU	IN
93	GND	IN	94	GND	IN
95	+5V	IN	96	+5V	IN
97	+5V	IN	98	+5V	IN
99			100		

PICO-N CONNECTOR

P2					
PIN	SIGNAL	DIRECT.	PIN	SIGNAL	DIRECT.
1	GND	OUT	2	GND	OUT
3			4		
5			6		
7			8		
9			10		
11			12		
13			14		
15			16		
17			18		
19			20		
21			22		
23			24		
25			26		
27			28		
29			30		
31			32		
33	GND	OUT	34	GND	OUT
35			36		
37			38	PUP1	OUT
39			40		
41			42	DIB+	OUT
43			44	DIA+	OUT
45			46	DS3-	OUT
47			48		
49			50		
51			52		
53			54	DEC+	OUT
55			56		
57			58		
59			60		
61			62	DS4-	OUT
63			64	DSS-	OUT
65			66	DS2-	OUT
67			68	DS1-	OUT
69			70		
71			72	DS0-	OUT
73			74		
75			76		
77			78		
79			80	SELD-	IN
81			82	SELB-	IN
83			84		
85			86		
87			88		
89			90		
91			92		
93			94		
95			96		
97	VCC	OUT	98	VCC	OUT
99	GND	OUT	100	GND	OUT

PIGGY-BACK CONNECTOR

P3		
PIN	SIGNAL	DIRECT.
1	+5V	OUT
2	+5V	OUT
3	GND	OUT
4	GND	OUT
5	+12BU	OUT
6	+12BU	OUT
7	MA2+	OUT
8	MA3+	OUT
9	MA0+	OUT
10	MA1+	OUT
11	MA5+	OUT
12	MA4+	OUT
13	MA6+	OUT
14		
15	BB+	BI
16	BS5+	BI
17	B9+	BI
18	B4+	BI
19	B10+	BI
20	B13+	BI
21	B11+	BI
22	B12+	BI
23	B4+	BI
24	B3+	BI
25	B5+	BI
26	B2+	BI
27	B6+	BI
28	B1+	BI
29	B7+	BI
30	B0+	BI
31	REFR-	OUT
32		
33	DBEMA-	OUT
34	DBEAM-	OUT
35	B.RAS+	OUT
36	DBEM-	OUT
37	BU-2	OUT
38	MELPU-2	OUT
39	MS0+	OUT
40	MS1-	OUT
41	RAS+	OUT
42	MS1+	OUT
43	R.PWE+	OUT
44	CAS+	OUT
45	+5BU	OUT
46	+5BU	OUT
47	GND	OUT
48	GND	OUT
49	-5BU	OUT
50	-5BU	OUT

NOTES UNLESS OTHERWISE SPECIFIED

TITLE	REV	REV ASSEMBLY	DRAWING NO	REV
	D		20004	D
SCALE	DO NOT SCALE DRAWING		SHEET 7 OF 7	