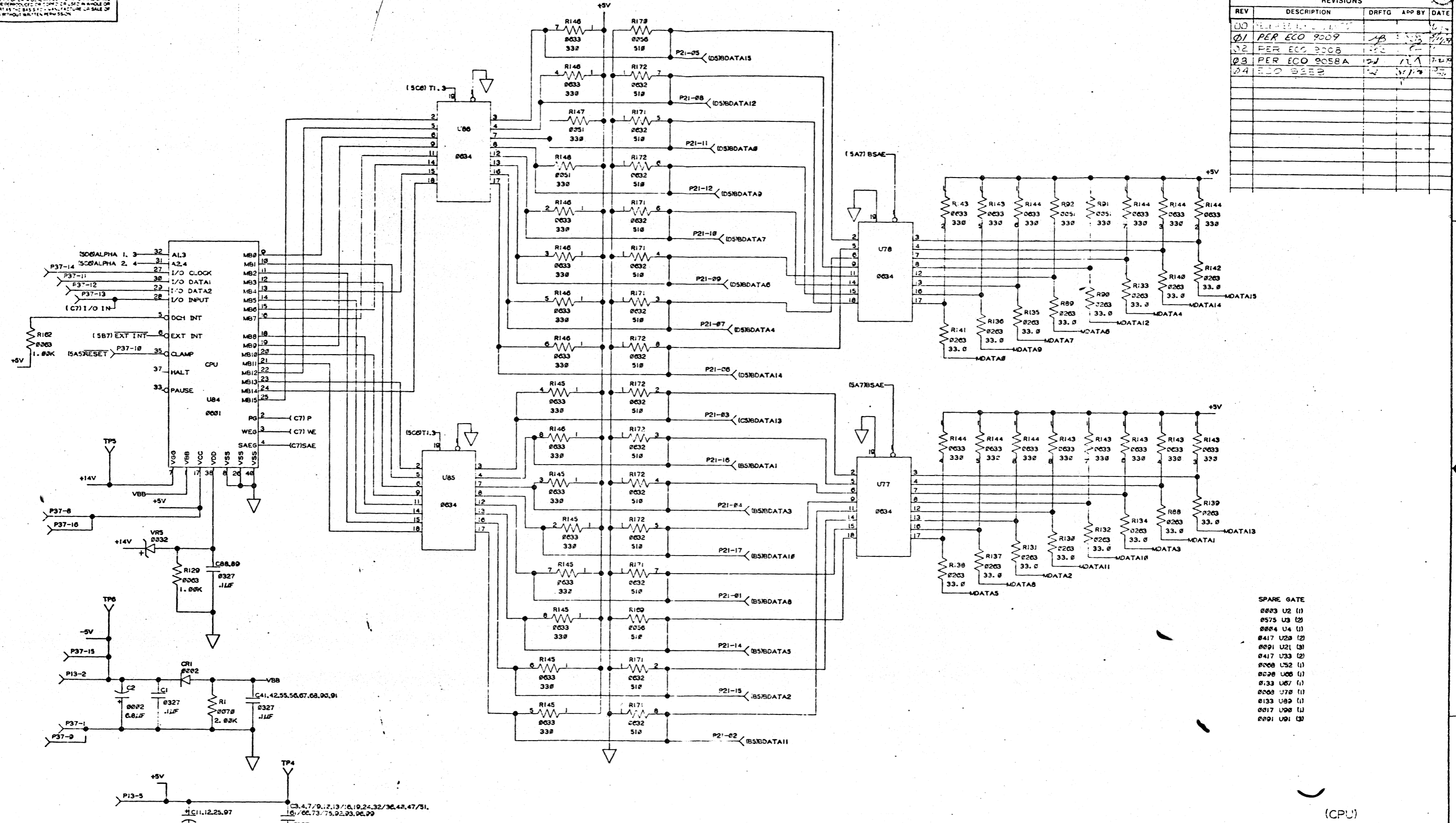


THIS DRAWING AND SPECIFICATIONS HEREIN ARE THE PROPERTY OF DATA GENERAL CORPORATION AND SHALL NOT BE REPRODUCED OR COPIED IN WHOLE OR IN PART AS THE BASIS FOR MANUFACTURE OR SALE OF ITEMS WITHOUT WRITTEN PERMISSION.

REVISIONS				
REV	DESCRIPTION	DRFTG	APP BY	DATE
00	PER ECO 9009			
01	PER ECO 9008			
02	PER ECO 9058A			
03	ECO 9058			



- SPARE GATE
- 0003 U2 (1)
  - 0575 U3 (2)
  - 0604 U4 (1)
  - 0417 U20 (2)
  - 0091 U21 (3)
  - 0417 U33 (2)
  - 0008 U52 (1)
  - 0020 U06 (1)
  - 0133 U67 (1)
  - 0009 U70 (1)
  - 0133 U80 (1)
  - 0017 U90 (1)
  - 0001 U91 (3)

(CPU)

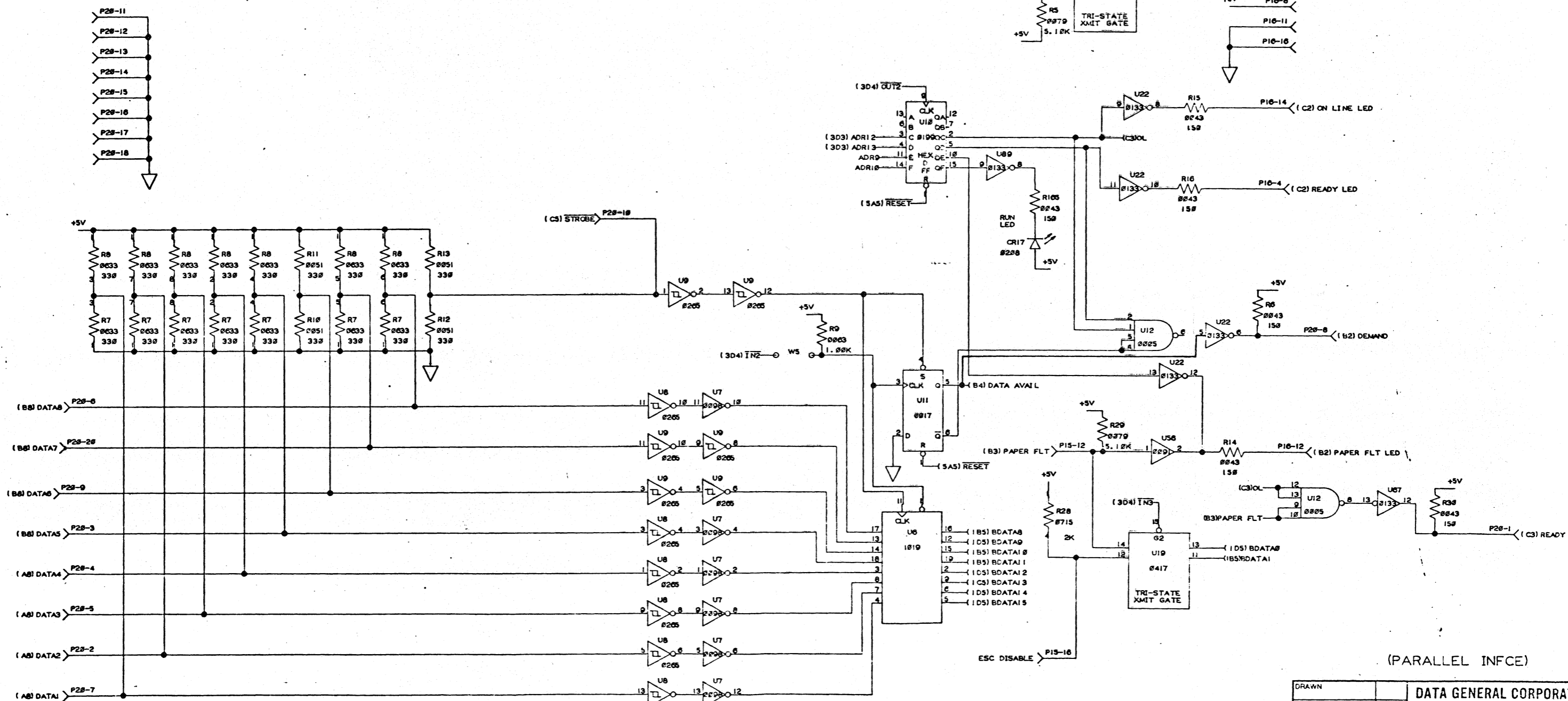
NOTE 1. R143, R144, R145, AND R146 ARE ALL 1% 2003 RESISTOR NETWORKS  
 2. U14/16 REQUIRE IC HEATSINKS 02-3057.  
 3. U44/46, U61/63 REQUIRE IC SOCKETS III-0875.  
 4. U3: REQUIRES IC SOCKET III-0676.  
 5. U84 REQUIRES IC SOCKET III-0925.

1 SHEET  
 1 OF 7

ARTWORK: 107 1367	DRAWN: 2-2-78	DATA GENERAL CORPORATION SOUTHBORO, MASSACHUSETTS 01772
ARTWORK VS SCHEMATIC CHECKED: 00 00 01 02 03 04	ENGINEER: 00513775-U	
APPROVED:	FIRST USED CN: 00513777-T	FILE: DASHER LP2 & TP2 PRT. CONTROL
SIZE: 001001693	REF: 04	

THIS DRAWING AND SPECIFICATIONS HEREIN ARE THE PROPERTY OF DATA GENERAL CORPORATION AND SHALL NOT BE REPRODUCED OR TRANSMITTED IN ANY FORM OR BY ANY MEANS, ELECTRONIC OR MECHANICAL, INCLUDING PHOTOCOPYING, RECORDING, OR BY ANY INFORMATION STORAGE AND RETRIEVAL SYSTEM, WITHOUT WRITTEN PERMISSION.

REVISIONS			
REV	DESCRIPTION	DRFTG	APP BY DATE



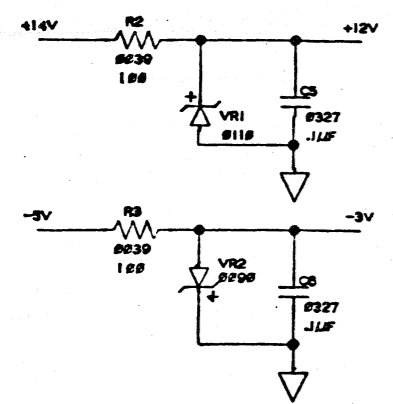
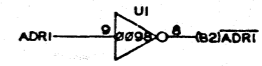
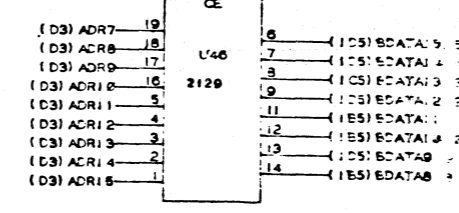
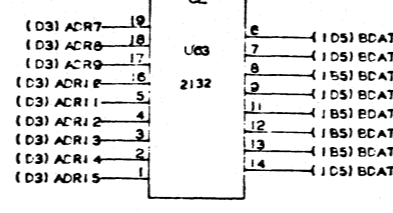
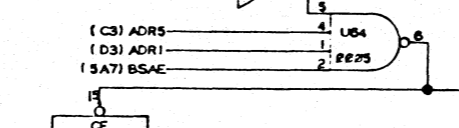
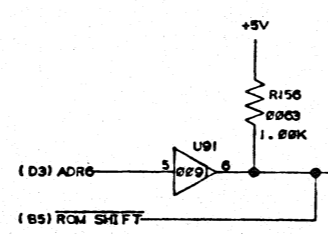
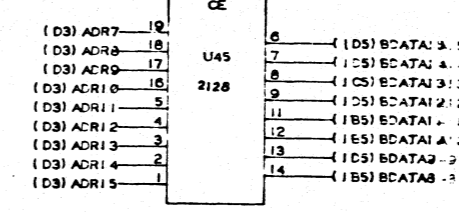
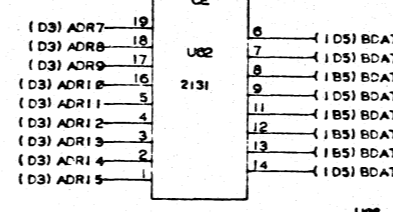
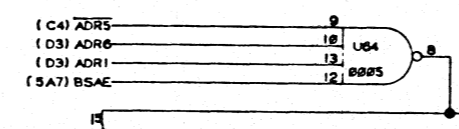
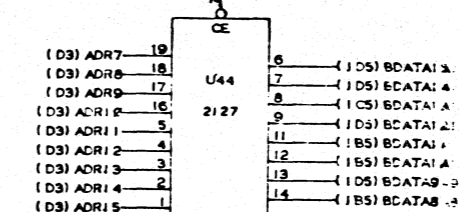
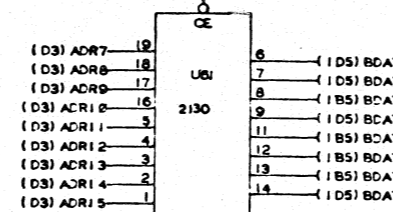
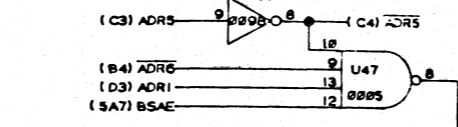
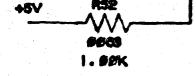
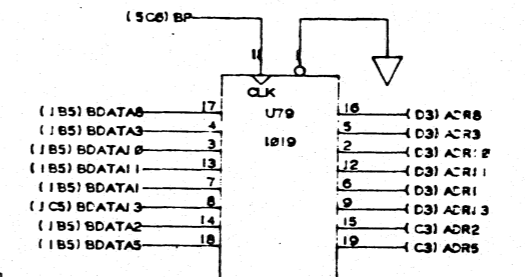
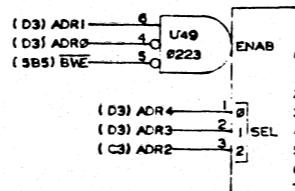
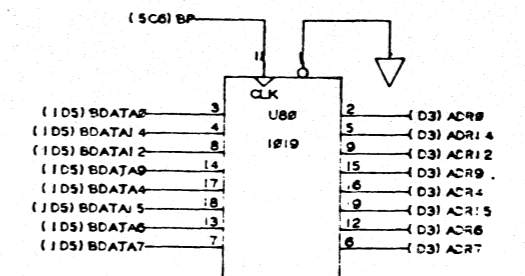
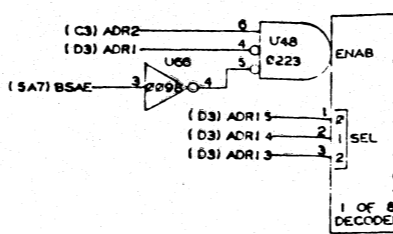
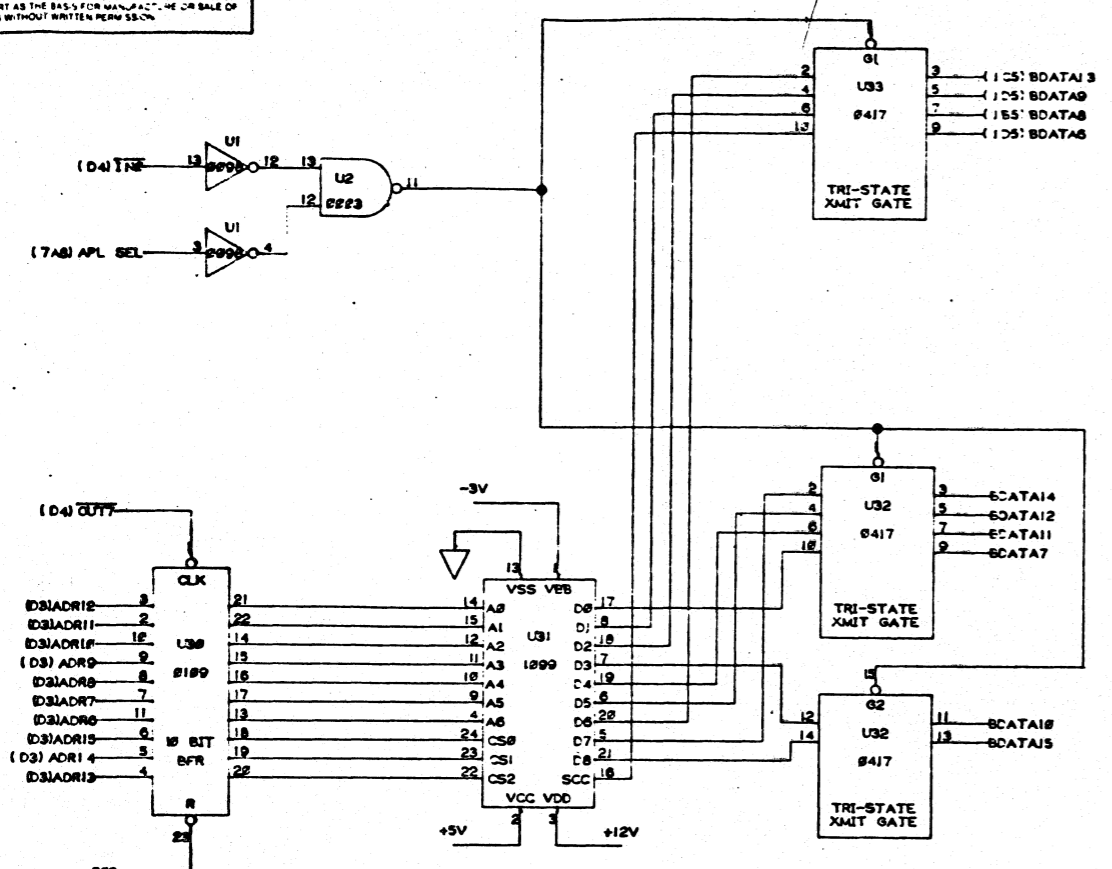
(PARALLEL INFCE)

1 SHEET  
2 OF 7

DRAWN		<b>DATA GENERAL CORPORATION</b> SOUTH BORDO, MASSACHUSETTS 01112 TITLE <b>DASHER</b> <b>LP2 &amp; TP2</b> <b>PRT. CONTROL</b> SIZE CODE D 001001593 04
CHECKED		
ENGINEER		
APPROVED		
FIRST USED ON		

THIS DRAWING AND SPECIFICATION HEREIN ARE THE PROPERTY OF DATA GENERAL CORPORATION AND SHALL NOT BE REPRODUCED OR COPIED IN WHOLE OR IN PART AS THE BASIS FOR MANUFACTURE OR SALE OF ITEMS WITHOUT WRITTEN PERMISSION.

REVISIONS				
REV	DESCRIPTION	DRFTG	APP BY	DATE

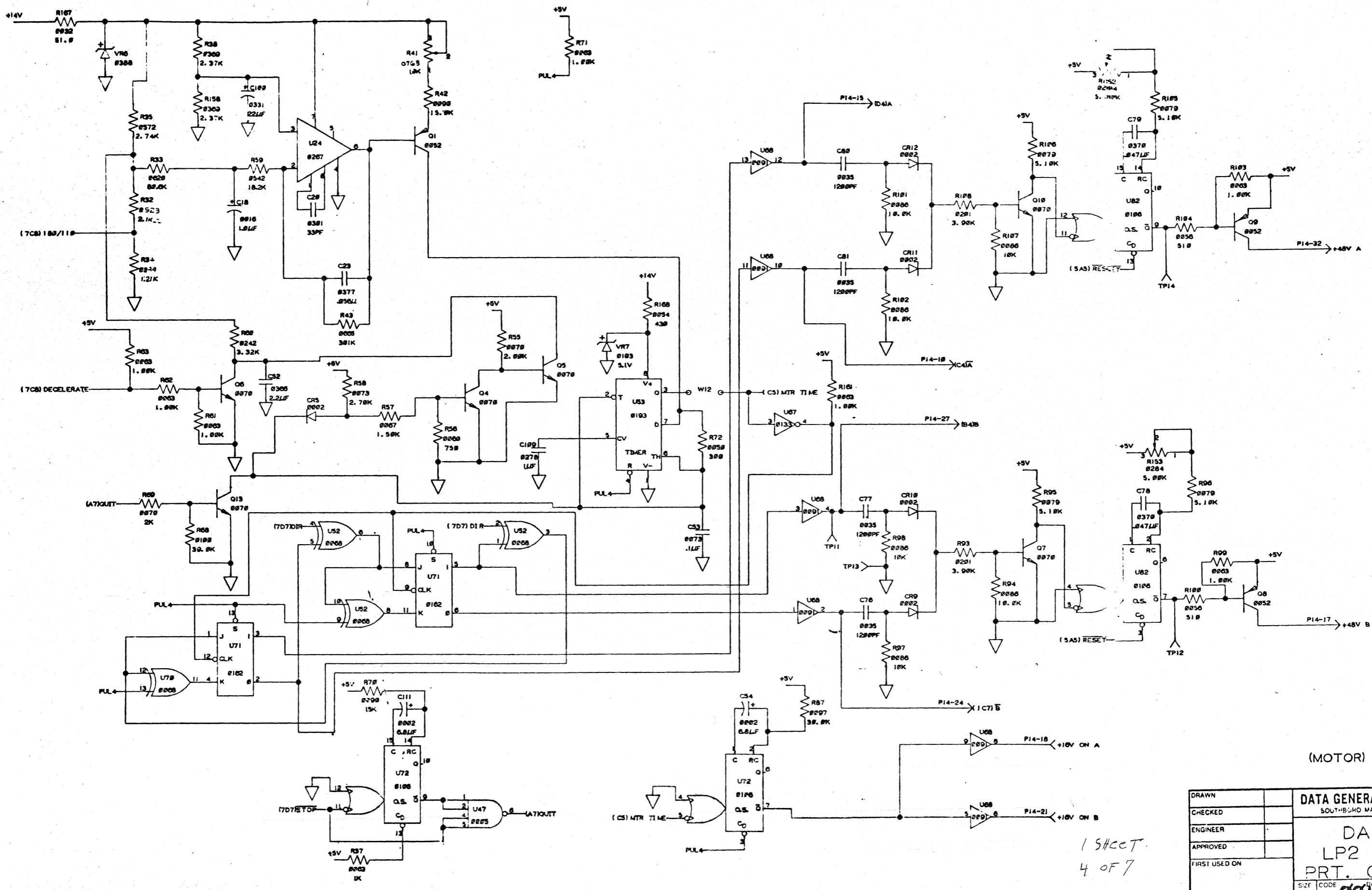


(CHARGEN/ROM.)

DRAWN		<b>DATA GENERAL CORPORATION</b> SOUTHBORO, MASSACHUSETTS 01122 TITLE <b>DASHER</b> <b>LP2 &amp; TP2</b> <b>PRT. CONTROL</b> SIZE CODE 001001693 01
CHECKED		
ENGINEER		
APPROVED		
FIRST USED ON		

1 SHEET  
3 OF 7

THIS DRAWING AND SPECIFICATIONS HEREIN ARE THE PROPERTY OF DATA GENERAL CORPORATION AND SHALL NOT BE REPRODUCED OR COPIED OR IN ANY MANNER OR IN PART AS THE BASIS FOR MANUFACTURE OR SALE OF ITEMS WITHOUT WRITTEN PERMISSION



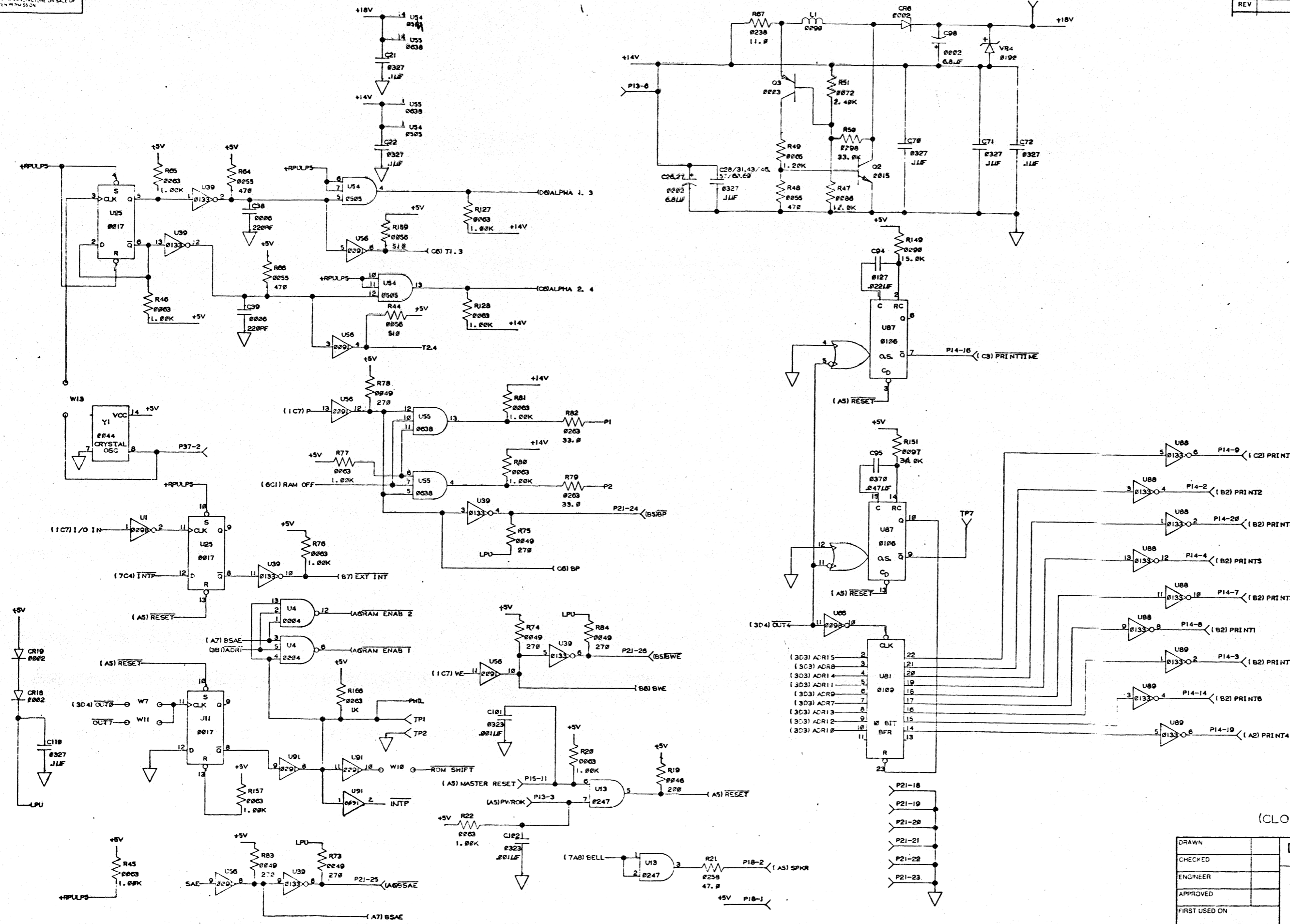
(MOTOR) 4 OF 7

1 SHEET  
4 OF 7

DRAWN		<b>DATA GENERAL CORPORATION</b> SOUTH BORO MASSACHUSETTS 01772 TITLE <b>DASHER</b> <b>LP2 &amp; TP2</b> <b>PRT. CONTROL</b> SIZE CODE DRAWING NUMBER REF D 001001693 04
CHECKED		
ENGINEER		
APPROVED		
FIRST USED ON		

THIS DRAWING AND SPECIFICATIONS HEREIN ARE THE PROPERTY OF DATA GENERAL CORPORATION AND SHALL NOT BE REPRODUCED, COPIED OR SIMILARLY USED IN ANY MANNER WITHOUT THE WRITTEN PERMISSION OF DATA GENERAL CORPORATION.

REVISIONS				
REV	DESCRIPTION	DRFTG	APP BY	DATE



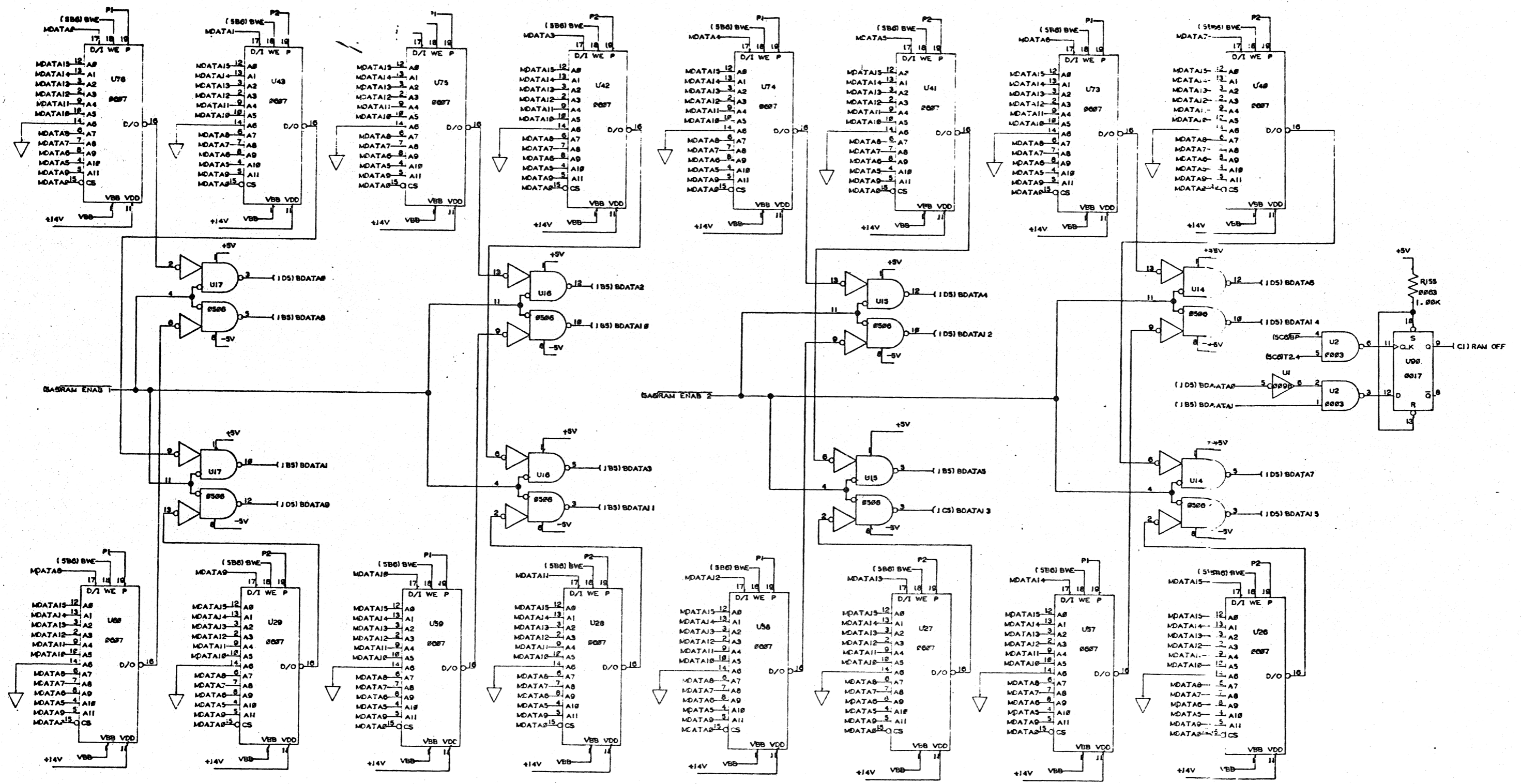
SHEET 5 OF 7

(CLOCK/PRINT)

DRAWN		<b>DATA GENERAL CORPORATION</b> SOUTH BORO MASSACHUSETTS 01772 TITLE <b>DASHER</b> <b>LP2 &amp; TP2</b> <b>PRT. CONTROL</b>
CHECKED		
ENGINEER		
APPROVED		
FIRST USED ON		
SIZE	CODE	D <b>001001693</b> 07

ALL DIMENSIONS AND SPECIFICATIONS HEREIN ARE THE PROPERTY OF DATA GENERAL CORPORATION AND SHALL BE REPRODUCED OR COPIED IN WHOLE OR IN PART AS THE BASIS FOR MANUFACTURE OR SALE OF THIS OR ANY OTHER PRODUCT WITHOUT THE WRITTEN PERMISSION OF DATA GENERAL CORPORATION.

REV	DESCRIPTION	DRFTG	APP BY	DATE



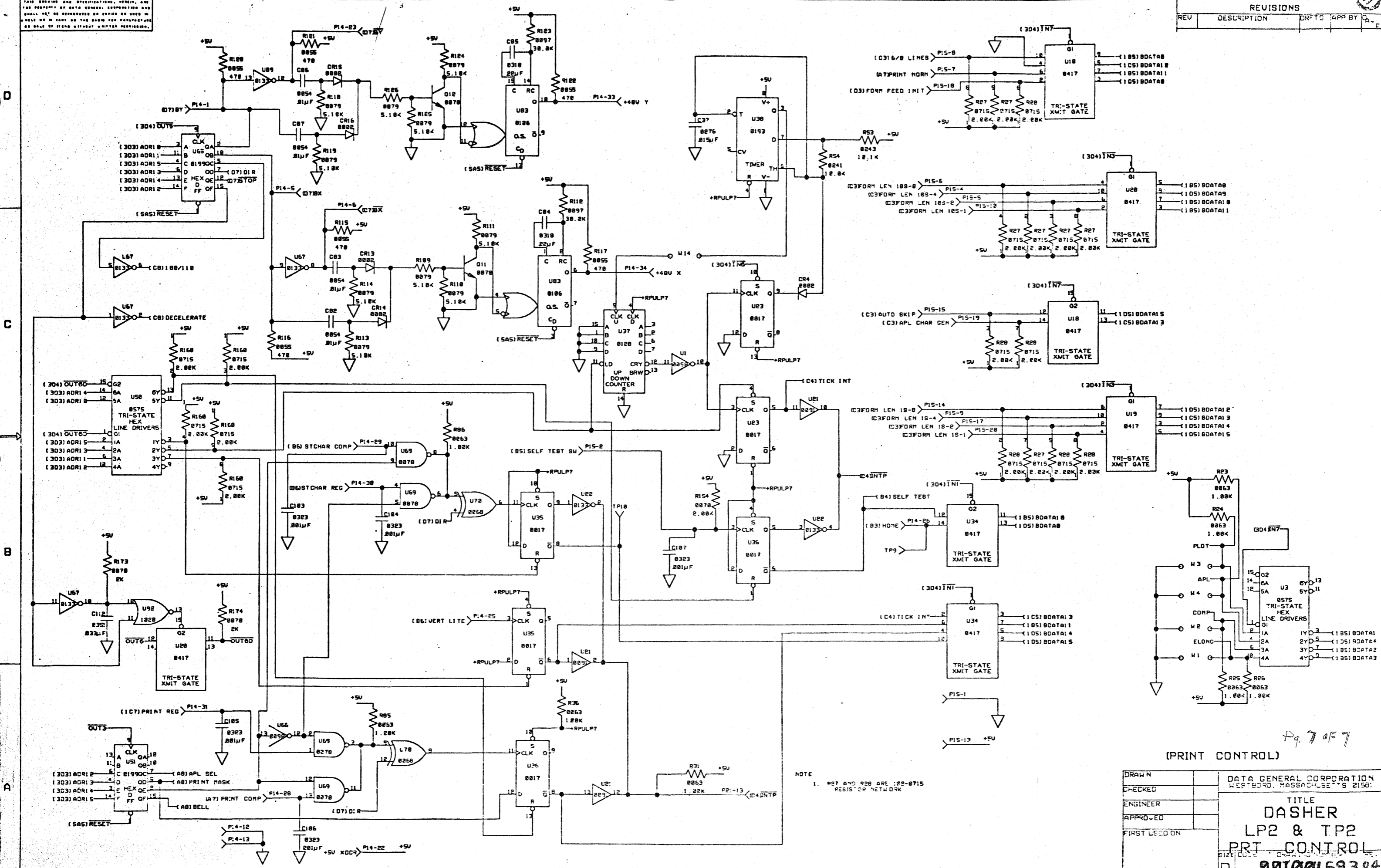
(RAM) 6 of 7

PAGE 6 of 7

DRAWN		<b>DATA GENERAL CORPORATION</b> SOLI-78010 MASSACHUSETTS 01922 TITLE <b>DASHER</b> <b>LP2 &amp; TP2</b> <b>PRT. CONTROL</b> SIZE CODE DRAWING NUMBER <b>D 001001693 04</b>
CHECKED		
ENGINEER		
APPROVED		
FIRST USED ON		

THIS DRAWING AND SPECIFICATIONS, HEREIN, ARE THE PROPERTY OF DATA GENERAL CORPORATION AND SHALL NOT BE REPRODUCED OR COPIED IN WHOLE OR IN PART OR THE BUILT OR REPRODUCED OR SOLD IN ANY MANNER WITHOUT WRITTEN PERMISSION.

REVISIONS			
REV	DESCRIPTION	DRAFTS	APP BY



DRAWN	DATA GENERAL CORPORATION WESTBORO, MASSACHUSETTS 01581
CHECKED	
ENGINEER	
APPROVED	
FIRST USED ON	

Pa. 7 of 7