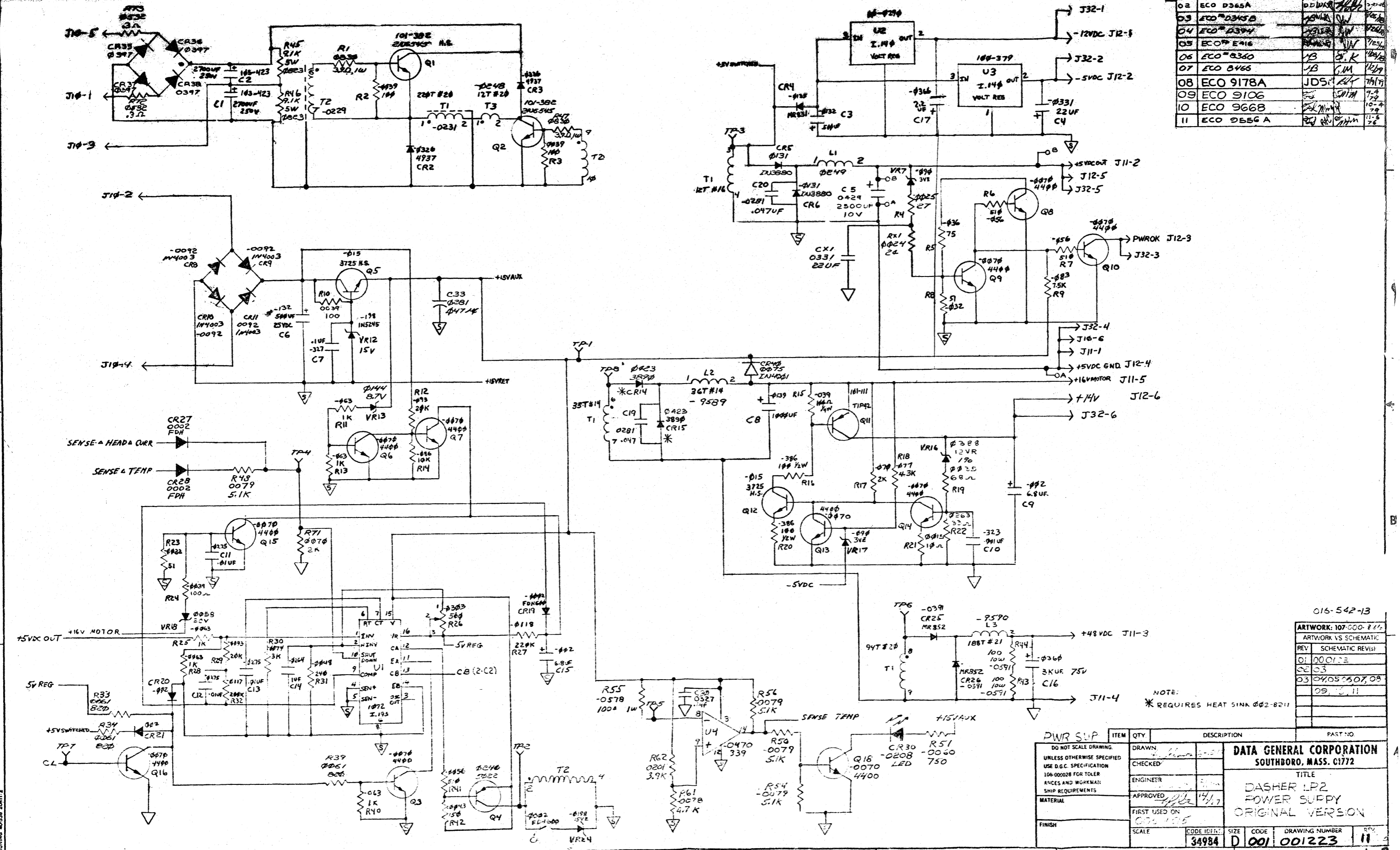


THIS DRAWING AND SPECIFICATIONS HEREIN ARE THE PROPERTY OF DATA GENERAL CORPORATION AND SHALL NOT BE REPRODUCED OR COPIED OR USED IN WHOLE OR IN PART WITHOUT THE WRITTEN PERMISSION OF DATA GENERAL CORPORATION.

REVISIONS				
REV	DESCRIPTION	DRFTG	APP. BY	DATE
00	RELEASED PER ECO D347	DD		1/24/79
01	ECO D344	DD		2/2/79
02	ECO D365A	DD		2/2/79
03	ECO D345B	DD		2/2/79
04	ECO D394	DD		2/2/79
05	ECO E416	DD		7/2/79
06	ECO 8360	JB	G.M.	10/2/79
07	ECO 8466	JB	G.M.	10/2/79
08	ECO 9178A	JDS		7/1/79
09	ECO 9106			7/2/79
10	ECO 966B			10/4/79
11	ECO 9556A			11/5/79



015-542-13

ARTWORK: 107-000-214

ARTWORK VS SCHEMATIC

REV	SCHEMATIC REV(S)
01	000103
02	03
03	04, 05, 06, 07, 08
09	11

NOTE: \* REQUIRES HEAT SINK 062-8211

DWR SUP	ITEM	QTY	DESCRIPTION	PART NO
DO NOT SCALE DRAWING UNLESS OTHERWISE SPECIFIED USE D.G.C. SPECIFICATION 106-00028 FOR TOLERANCES AND WORKMANSHIP REQUIREMENTS	DRAWN			
	CHECKED			
	ENGINEER			
	APPROVED			
	FIRST USED ON			
	SCALE			
	CODE IDENT			
	SIZE			
	CODE			
	DRAWING NUMBER			
	REV			

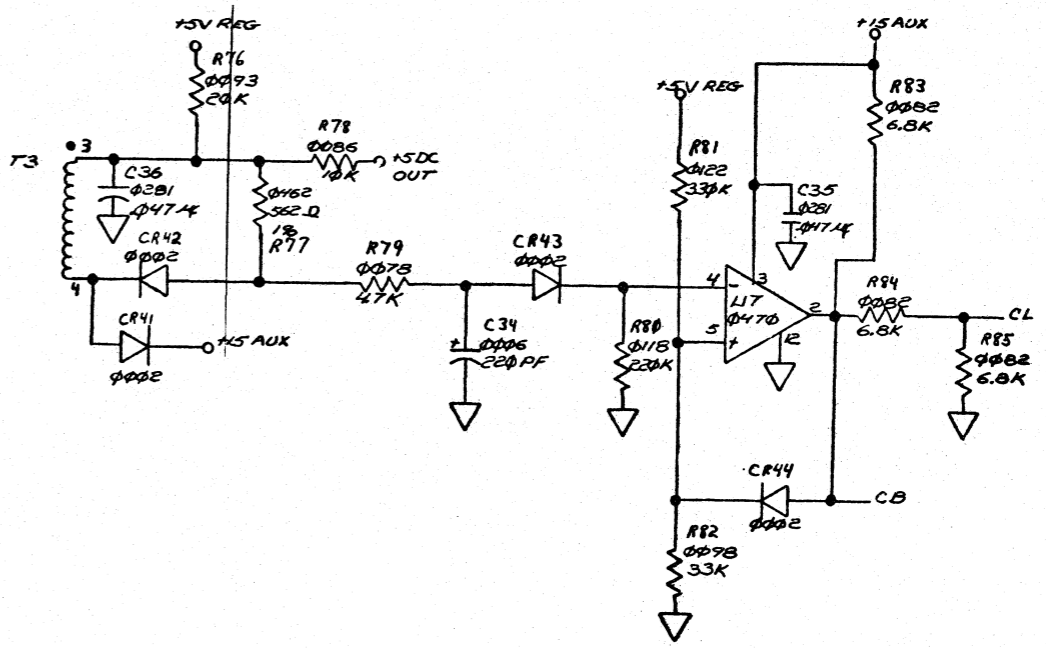
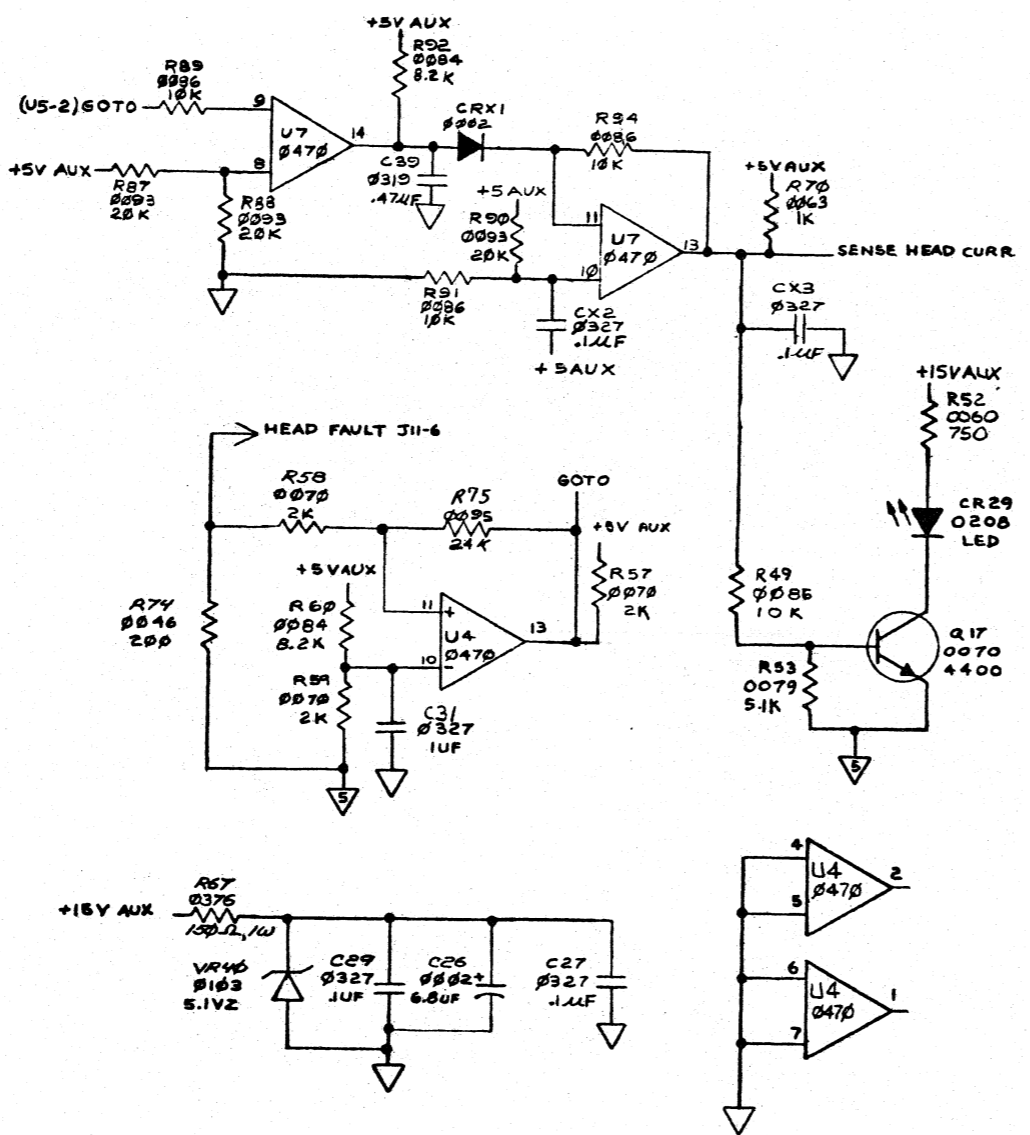
DATA GENERAL CORPORATION  
SOUTHBORO, MASS. 01772

TITLE  
DASHER LP2  
POWER SUPPLY  
ORIGINAL VERSION

SCALE: 34984 D 001 001223 11

THIS DRAWING AND SPECIFICATIONS HEREIN ARE THE PROPERTY OF DATA GENERAL CORPORATION AND SHALL NOT BE REPRODUCED OR COPIED OR USED IN WHOLE OR IN PART AS THE BASIS FOR MANUFACTURE OR SALE OF ITEMS WITHOUT WRITTEN PERMISSION.

REVISIONS				
REV.	DESCRIPTION	DRFTG.	APP. BY	DATE



ITEM	QTY.	DESCRIPTION	PART NO.
DO NOT SCALE DRAWING.			
UNLESS OTHERWISE SPECIFIED USE D.G.C. SPECIFICATION 100-000028 FOR TOLERANCES AND WORKMANSHIP REQUIREMENTS			
MATERIAL			
FINISH			
SCALE	CODE IDENT.	SIZE	CODE
	34984	D	001 00 1223
DRAWN		DATA GENERAL CORPORATION SOUTHBORO, MASS. 01772	
CHECKED		TITLE	
ENGINEER		DASHER LP2	
APPROVED		POWER SUPPLY ORIGINAL VERSION	
FIRST USED ON		DRAWING NUMBER	
		R.F.	

013000838