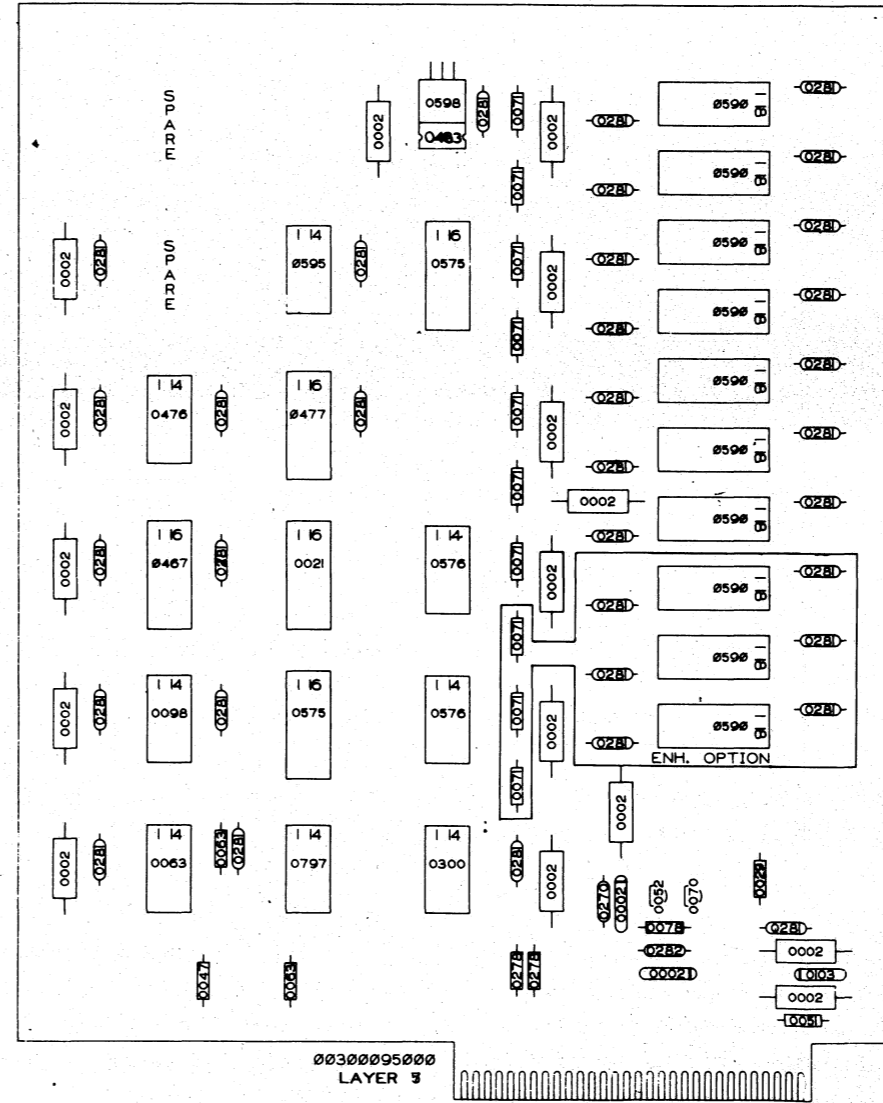
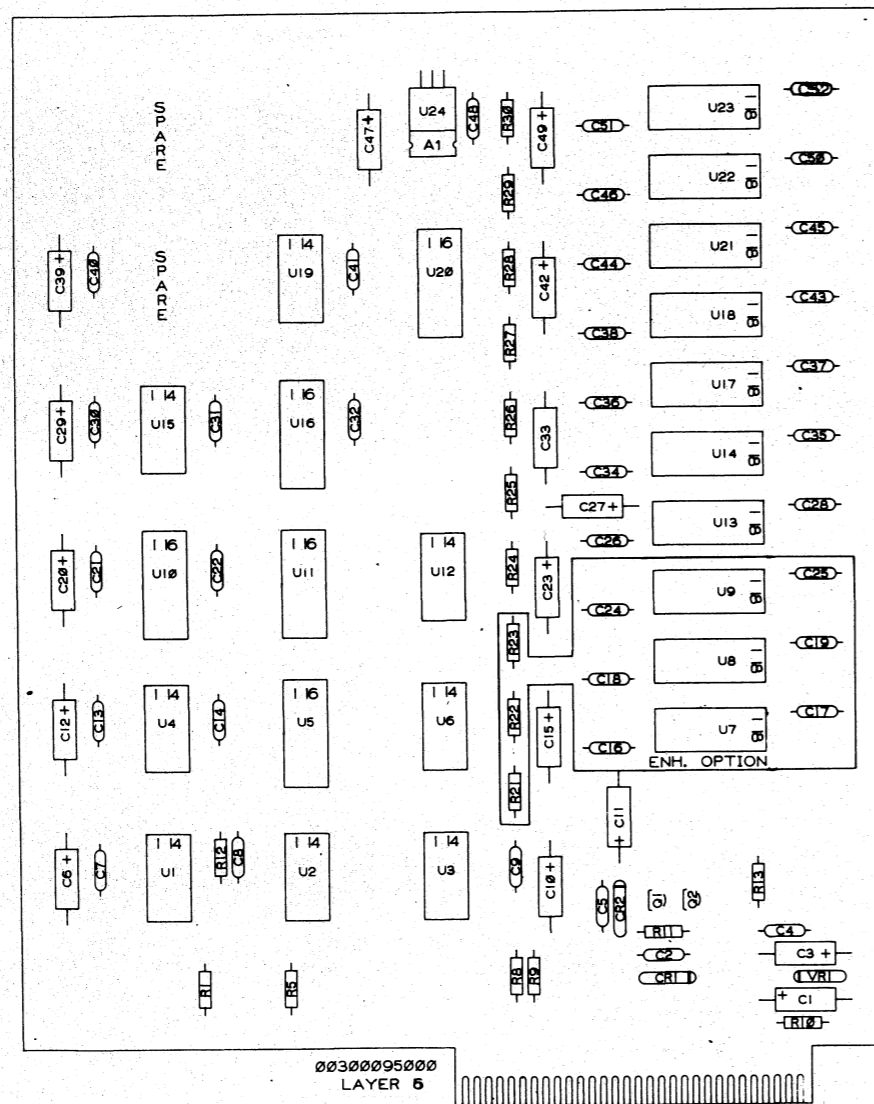


REVISIONS				
REV	DESCRIPTION	DRFTG	APP BY	DATE
00	PER ECO B674	RW		12-12-77
01	PER ECO B675	RL	WJL	2/1/78
02	PER ECO B676	RL	WJL	2/1/78



NOTE:
1. DO NOT INSTALL R8 WITH 6053.

003000950 - 02
107000950 - 00

<small> THIS DRAWING IS THE PROPERTY OF DATA GENERAL CORPORATION. IT IS TO BE USED ONLY FOR THE PROJECT AND FOR THE CUSTOMER'S USE. IT IS NOT TO BE REPRODUCED, COPIED, OR TRANSMITTED IN ANY FORM OR BY ANY MEANS, ELECTRONIC OR MECHANICAL, INCLUDING PHOTOCOPYING, RECORDING, OR BY ANY INFORMATION STORAGE AND RETRIEVAL SYSTEM. </small>	DRAWN	R. Weir	12-12-77
	CHECKED		
	ENGINEER	W. Shroy	12-14-77
	APPROVED	<i>[Signature]</i>	
FIRST USED ON	005009980		
SCALE	CODE IDENT		
	34984		

DATA GENERAL CORPORATION
SOUTHBORO, MASS. 01772

TITLE
IPL
MEMORY DISPLAY
PCB W/ENH OPTION

SIZE	CODE	DRAWING NUMBER	REV
C	016	000546	02