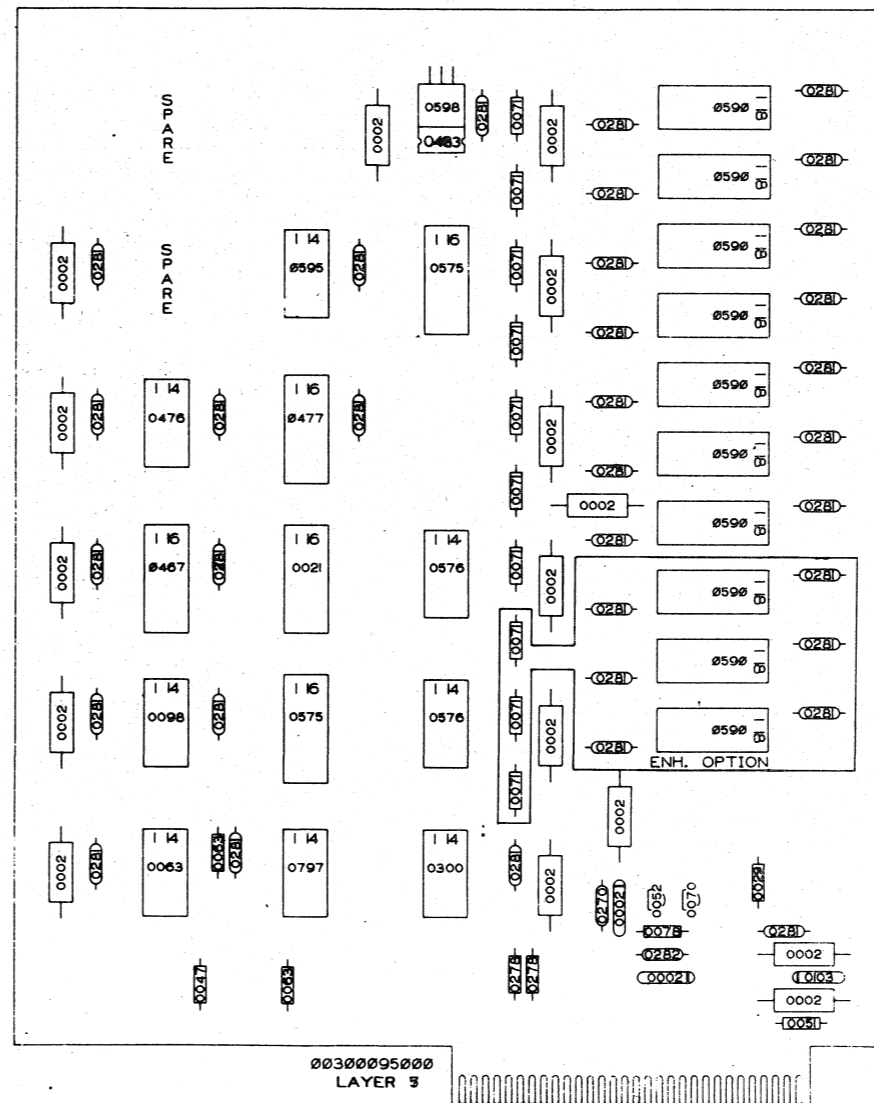
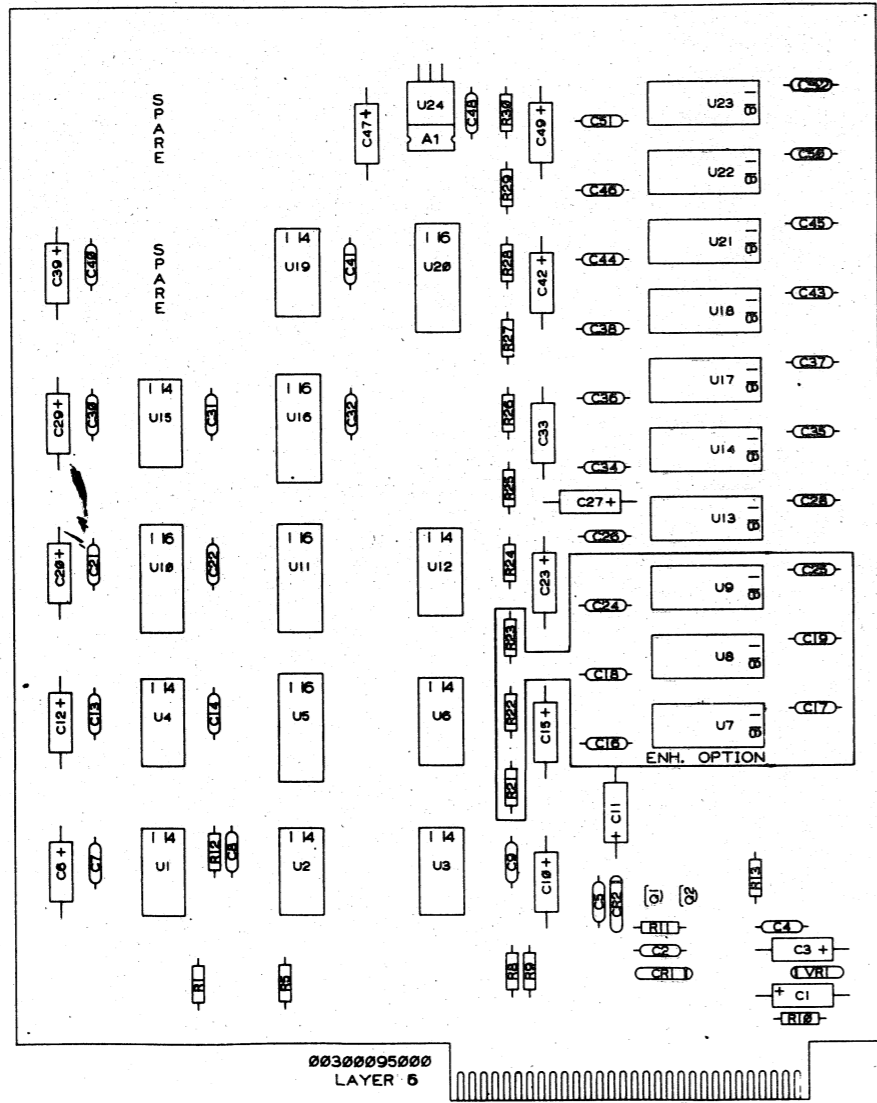


REVISIONS				
REV	DESCRIPTION	DRFTG	APP BY	DATE
00	PER ECO B674	RW		12-12-77
01	PER ECO B675	RL	WKL	2/1/78
02	PER ECO B676	RL	WKL	2/1/78



NOTE:
1. DO NOT INSTALL R8 WITH 6053.

003000950 - 02
107000950 - 00

DRAWN R. WEIR 12-12-77	
CHECKED	
ENGINEER W. Charney 12-14-77	
APPROVED [Signature]	
FIRST USED ON 005009980	
SCALE	CORE 34984

DATA GENERAL CORPORATION
SOUTHBORO, MASS. 01772

TITLE
IPL
MEMORY DISPLAY
PCB W/ENH OPTION

SIZE C 016	CODE 000546	DRAWING NUMBER 02	REV 02
------------	-------------	-------------------	--------