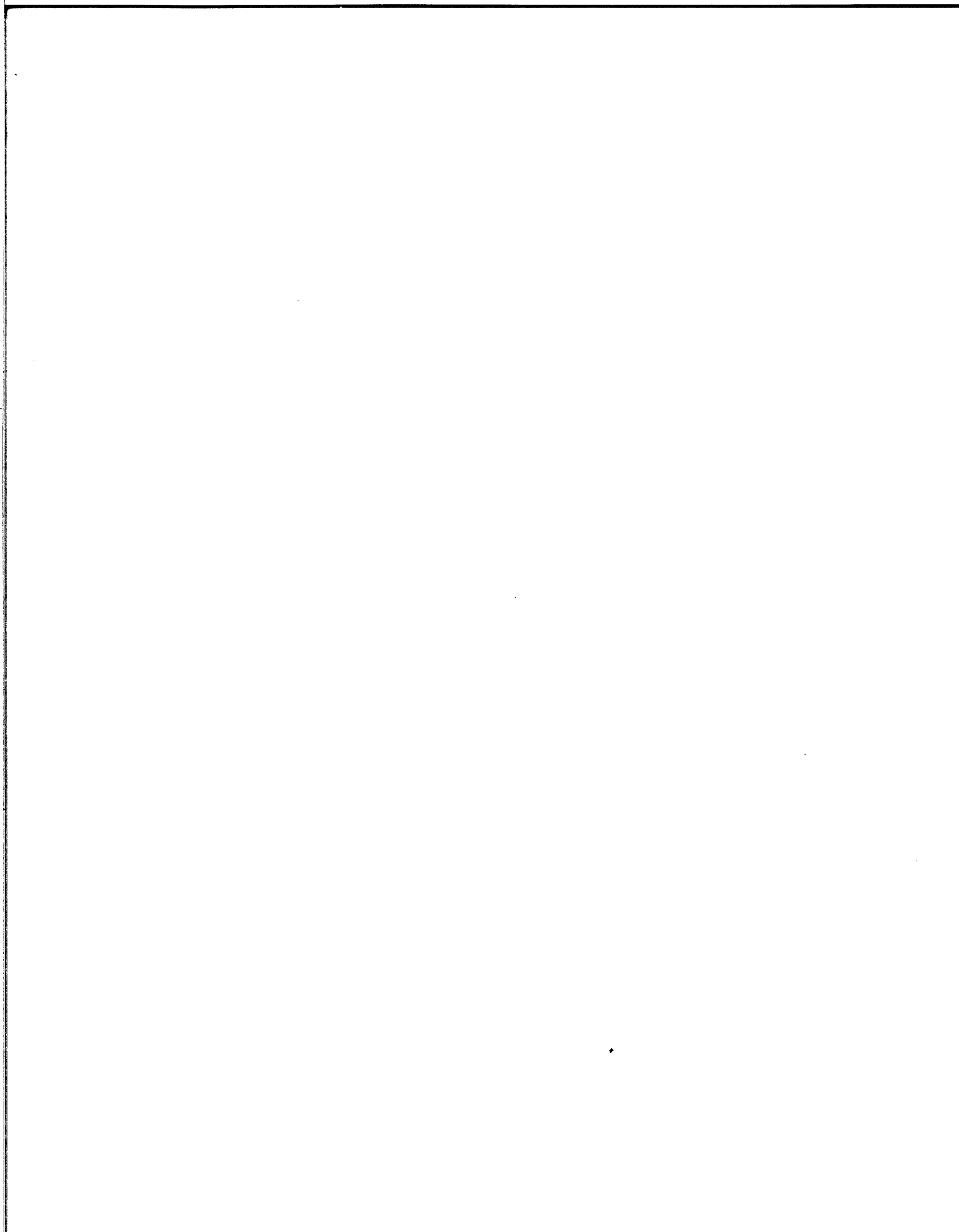


**DASHER™
VIDEO DISPLAY
MODELS 6052,6053**

**ILLUSTRATED
PARTS BREAKDOWN**

016-000404-00



**DASHER™
VIDEO DISPLAY
MODELS 6052,6053**

**ILLUSTRATED
PARTS BREAKDOWN**

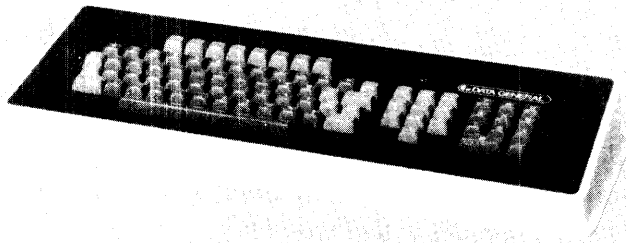
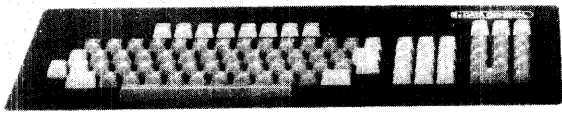
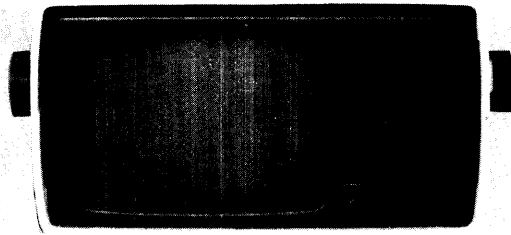
016-000404-00

NOTICE

Data General Corporation (DGC) has prepared this manual for use by DGC personnel and customers as a parts-ordering guide and to show proper sequence of assembly and dis-assembly. The drawings and parts lists contained herein are the property of DGC and shall neither be reproduced in whole or in part without DGC prior written approval nor be implied to grant any license to make, use or sell equipment manufactured in accordance herewith.

DGC reserves the right to make changes without notice in the specifications and materials contained herein and shall not be responsible for any damages (including consequential) caused by reliance on the materials presented, including but not limited to typographical or arithmetic errors, company policy and pricing information.

NOVA, **SUPERNOVA** and **ECLIPSE** are registered trademarks of Data General Corporation, Westboro, Massachusetts. **DASHER** is a trademark of Data General Corporation, Westboro, Massachusetts.



DASHER™ VIDEO DISPLAY MODELS 6052,6053

ILLUSTRATED PARTS BREAKDOWN

PREFACE

The Illustrated Parts Breakdown is a pictorial representation of the Dasher™ Video Display Models 6052, 6053, also included are the Models 6054/6055 Printer Options. It shows what parts are required and how they fit within the subsystem. Each part listed is identified with a unique DGC ordering number.

The first drawing (page I-2) illustrates the major assemblies of the subsystem, and subsequent drawings illustrate and list parts of the major assemblies. The printed circuit board subassemblies are listed, but their component parts are given on 016 drawings which are listed but not included.

TABLE OF CONTENTS

CHAPTER I SUBSYSTEM & PACKAGING

SUBSYSTEM KEY SHEET	I-2
VIDEO DISPLAY TERMINALS AND PRINTER OPTIONS	I-5
SHIPPING PACKAGE	I-10

CHAPTER II EXTERNAL CABLES

I/O CABLE N/800 1 STOP BIT CONFIGURATION	II-2
I/O CABLE N/800 2 STOP BIT CONFIGURATION	II-4
I/O CABLE N/1210 1 STOP BIT CONFIGURATION	II-6
I/O CABLE N/1210 2 STOP BIT CONFIGURATION	II-8
I/O CABLE N/800 W/4062	II-10
I/O CABLE ALM 16/4257	II-12
I/O CABLE EIA INTERFACE	II-14
I/O CABLE SERIAL LCD TO ALM 8	II-16

TABLE OF CONTENTS (Continued)

CHAPTER III MAIN ASSEMBLY

MAIN ASSEMBLY	III-2
Internal Cable CRT to Back Panel	III-6
Internal Cable Beeper to Connector Frame	III-8
Internal Cable Power Switch	III-8
LCD Transformer	III-10
Internal Cable Power Supply to Back Panel	III-10
Video Monitor Assembly	III-12
PEDESTAL ASSEMBLY	III-14
KEYBOARD ASSEMBLY	III-16
External Cable Keyboard to Main	III-18
PRINTER OPTIONS 6054,6055	III-20
INTERCONNECTION DIAGRAM	III-22

APPENDICES

APPENDIX A

PREFIX CODE TABLES	A-1
---------------------------------	------------

ECO HISTORY

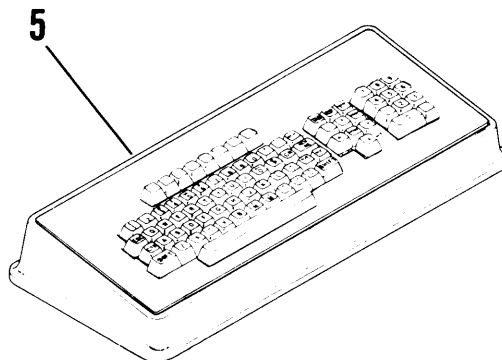
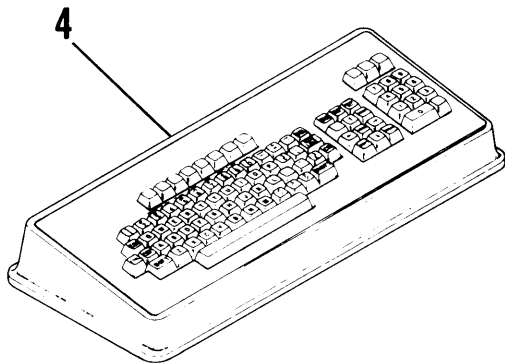
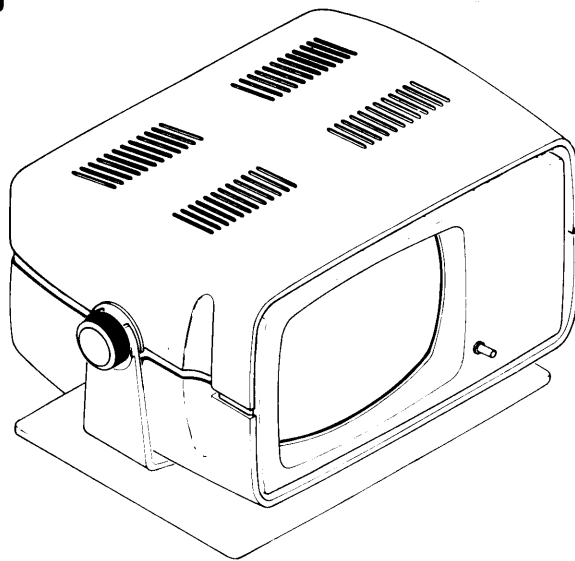
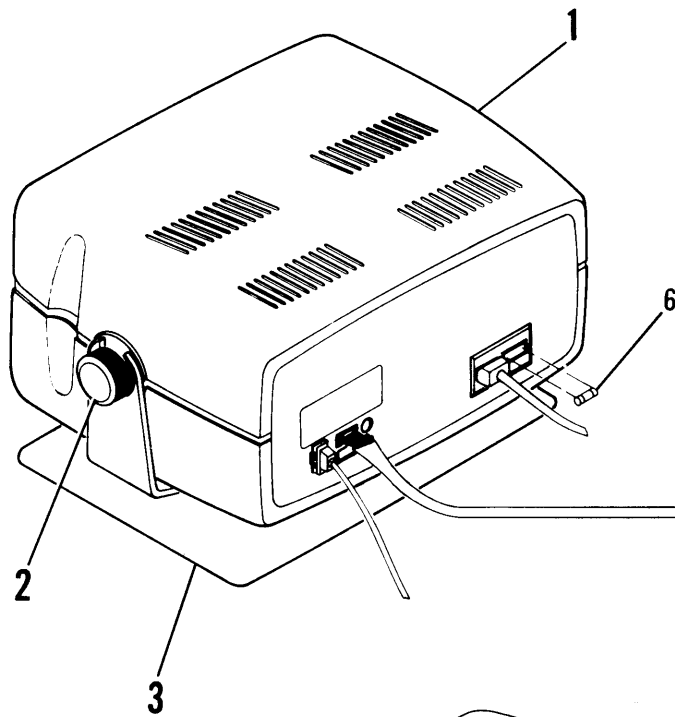
ECO		CHANGED		CHANGED		CHANGED		CHANGED	
NO.	REV	PG	ITEM	PG	ITEM	PG	ITEM	PG	ITEM
6286	00		FIRST RELEASE						

This page intentionally left blank.

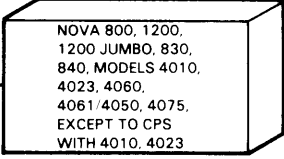
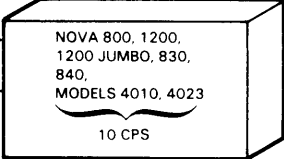
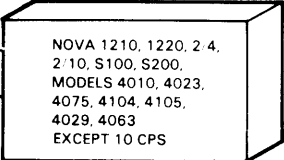
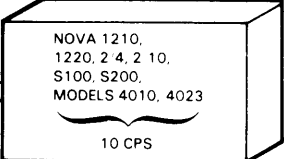
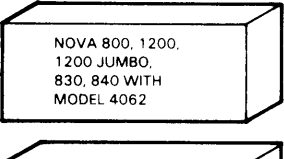
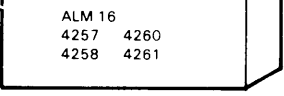
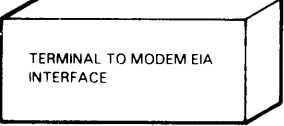
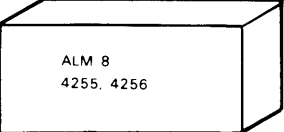
CHAPTER I

SUBSYSTEM AND PACKAGING

SUBSYSTEM KEY SHEET



I/O CABLE FOR:

- 7  NOVA 800, 1200, 1200 JUMBO, 830, 840, MODELS 4010, 4023, 4060, 4061/4050, 4075, EXCEPT TO CPS WITH 4010, 4023
- 8  NOVA 800, 1200, 1200 JUMBO, 830, 840, MODELS 4010, 4023
10 CPS
- 9  NOVA 1210, 1220, 2 4, 2/10, S100, S200, MODELS 4010, 4023, 4075, 4104, 4105, 4029, 4063 EXCEPT 10 CPS
- 10  NOVA 1210, 1220, 2 4, 2 10, S100, S200, MODELS 4010, 4023
10 CPS
- 11  NOVA 800, 1200, 1200 JUMBO, 830, 840 WITH MODEL 4062
- 12  ALM 16
4257 4260
4258 4261
- 13  TERMINAL TO MODEM EIA INTERFACE
- 14  ALM 8
4255, 4256

DG-03802

The drawings and specifications contained herein are the property of DGC and shall neither be reproduced in whole or in part without DGC prior written approval nor be implied to grant any license to make, use or sell equipment manufactured in accordance herewith

PAGE & ITEM NO.	DESCRIPTION	QTY	DGC PART NO.	REF PAGE NO.
	ASSY BASIC LCD 6052	1	005-008001	III-2
	ASSY TERM ENHANCEMENT LCD 6053	1	005-008002	III-2
	ASSY BASIC 110V-60HZ	1	005-008021	
	ASSY LCD T.E. 110V-60HZ	1	005-008154	
1	ASSY MAIN CRT L/C DISPL	1	005-006747	
	ASSY MAIN CRT TERM ENHANCEMENT L/C DISPL	1	005-006845	
	ASSY CRT 60HZ/110V LCD	1	005-008022	
	ASSY CRT 60HZ/110V T.E. LCD	1	005-008155	
2	MECH PT KNOB CRT L/C TERM	2	002-005402	
3	ASSY PEDESTAL L/C DISPL	1	005-006748	III-14
4	ASSY KEYBOARD CVR A L/C DISPL	1	005-006743	III-16
5	ASSY KEYBOARD 1 L/C DISPL	1	005-006746	III-16
6	FUSE 1A SLO BLO 3AG	1	113-000056	
7	ASSY CA SER I/O N/800 1 STOP BIT CONF	1	005-007426	II-2
8	ASSY CA SER I/O N/800 2 STOP BIT CONF	1	005-007427	II-4
9	ASSY CA SER I/O N/1210 1 STOP BIT CONF	1	005-007428	II-6
10	ASSY CA SER I/O N/1210 2 STOP BIT CONF	1	005-007429	II-8
11	ASSY CA SER I/O N/800 W14062	1	005-007638	II-10
12	ASSY CA SER I/O ALM 16/4257	1	005-007636	II-12
13	ASSY CA SER I/O EIA INTFC	1	005-007637	II-14
14	ASSY CA SER I/O ALM8	1	005-008181	II-16

The drawings and specifications contained herein are the property of DGC and shall neither be reproduced in whole or in part without DGC prior written approval nor be implied to grant any license to make, use or sell equipment manufactured in accordance herewith.

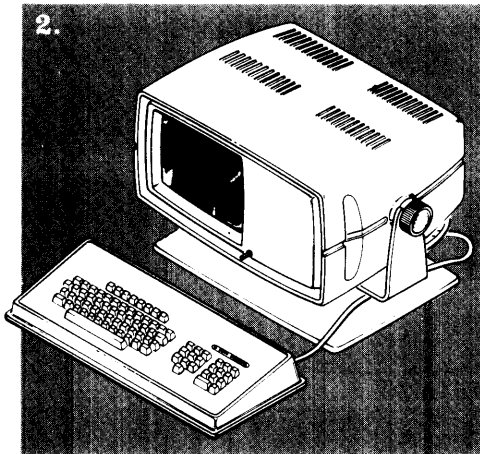
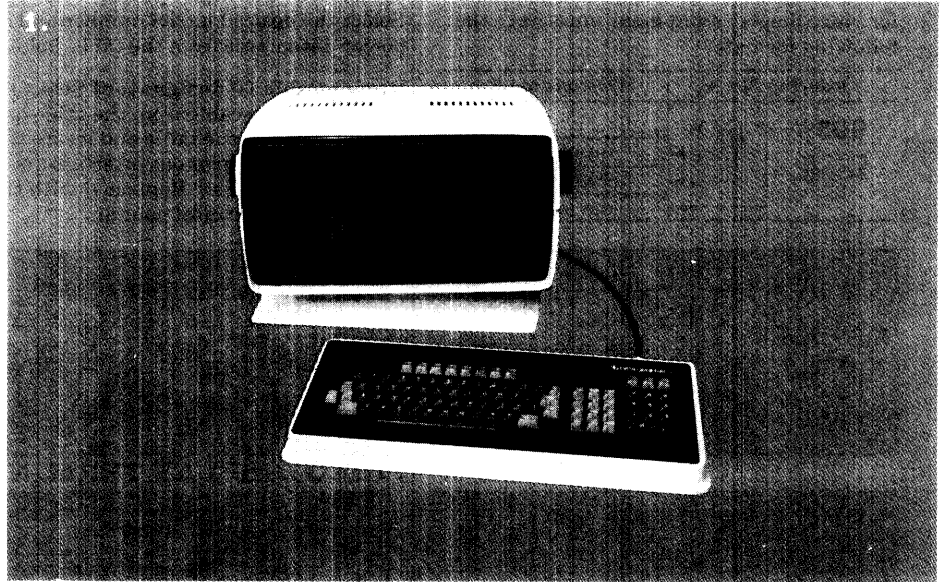
This page intentionally left blank.

DATA TERMINALS

MODELS 6052/6053 VIDEO DISPLAY TERMINALS
 MODELS 6054/6055 PRINTER OPTIONS
 MARCH 1977

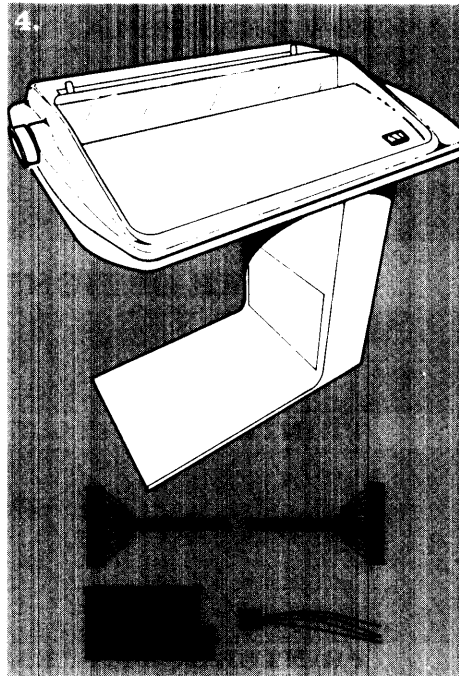
SUBSYSTEM COMPONENTS

1. Enhanced Video Display Terminal includes display and keyboard with 4 foot interconnecting cable. Display characters are 5x8 dot matrix, with blink, dim and underscore attributes. Keyboard contains a typewriter-paired main keypad, 12-key screen management keypad, 11-key user function keypad, and numeric keypad.



2. Video Display Terminal includes display and keyboard with 4 foot interconnecting cable. Display characters are 5x7 dot matrix with blink attribute. Keyboard contains a teletypewriter main keypad, 10-key screen management keypad, 8-key user function keypad, and numeric keypad.

PRINTER OPTIONS



4. Printer Subsystem Option adds a 60 cps receive-only printer to a video display terminal. This option comprises the printer and interfacing components necessary to implement the printer as the terminal's output device. Includes 25 foot cable to printer.



5. Printer Option contains printer interface components. Includes adapter to modem standard cable. The user must supply the printer and its cable.

CABLE



3. Device Cable connects the terminal to a DGC asynchronous interface.

DATA TERMINALS

MODELS 6052/6053 VIDEO DISPLAY TERMINALS MODELS 6054/6055 PRINTER OPTIONS

MARCH 1977

ORDERING INFORMATION

Ordering Format An ordering number for video display equipment must have the following format:

Ordering No. *	Designator For
$605X - \alpha \beta (\)$ <small>MODEL NO.</small>	input power
	character set
	device cable

Model No. and input power Select the desired model number and input power designator from the table below.




Device Cable (α designator) Select the required device cable from the table on the next page. Scan the table and locate the particular asynchronous interface you will use with the display. Replace α with the letter in the rightmost column.

Character Set (β designator) Select the character set desired from the table below. Replace β with the letter in the right column.




Character Set	β
USA	A
UNITED KINGDOM	B
FRENCH	C
GERMAN	D
SWEDISH	F

MODEL NO.	INPUT POWER (NOMINAL)				COMPONENTS INCLUDED			PREREQUISITES
	120V ac, 60 Hz	100V ac, 30 Hz	280V ac, 50 Hz	240V ac, 50 Hz	DISPLAY Dot Matrix w/blink 24 X 80 Character Screen	KEYBOARD Keyboard Cable	Cable	

VIDEO DISPLAY TERMINAL

6052- $\alpha\beta$	●				5 X 7 matrix G upper case  Table-top	 Teletypewriter 8 user-function keys 12 arrangement keys 11 numeric keys	Device  25 ft.	DGC ASYNCHRONOUS INTERFACE
6052- $\alpha\beta 1$		●						
6052- $\alpha\beta 2$			●					
6052- $\alpha\beta 4$				●				



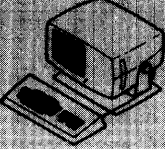
ENHANCED VIDEO DISPLAY TERMINAL

6053- $\alpha\beta$	●				5 X 8 matrix Gg upper/lower case GG dim Q underscore  Table-top	 Typewriter paired 11 user-function keys 11 numeric keys 12 management keys	Device  25 ft.	DGC ASYNCHRONOUS INTERFACE
6053- $\alpha\beta 1$		●						
6053- $\alpha\beta 2$			●					
6053- $\alpha\beta 4$				●				

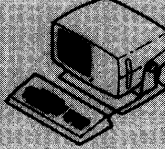
PRINTER OPTIONS

MODEL NO.	INPUT POWER (NOMINAL) Same as above	COMPONENTS INCLUDED			PREREQUISITES
		Printer Interface	Printer	Cable	

PRINTER INTERFACE

6054			 Stand adapter with model 6049 Standard conn. 25-pin female plug	 6052 OR 6053 VIDEO DISPLAY
------	--	---	--	--

PRINTER SUBSYSTEM

6055- $\alpha\beta$	●				 6052 OR 6053 VIDEO DISPLAY
6055- $\alpha\beta 1$		●			
6055- $\alpha\beta 2$			●		
6055- $\alpha\beta 4$				●	

* ALL designators MUST be included in the ordering number, except Model 6054 which requires no designators.

DATA TERMINALS

MODELS 6052/6053 VIDEO DISPLAY TERMINALS
MODELS 6054/6055 PRINTER OPTIONS
MARCH 1977

ORDERING INFORMATION (CABLES) *For 10 cps operation, specify 110 baud on order form*

MODEL NO	DESCRIPTION	INTERCONNECTOR	DESIGNATION
4010	Asynchronous, 20 mA		D
4007	Interface Subassembly		
4050	Teletypewriter Interface Panel		D
4061	Asynchronous Multiplexer, 20 mA		
4051	Modem Interface Panel		B
4063	Asynchronous Multiplexer, 20 mA		
4080	Asynchronous Multiplexer, 20 mA		D
4082	4-Line Asynchronous Multiplexer, EIA style		E
4077	Asynchronous Line Connector, 20 mA		D
4075	Interface Subassembly		
4078	Asynchronous, EIA style		A
4076	Interface Subassembly		
4083	Communication Connector Panel		D
4061	Asynchronous Multiplexer, 20 mA		
4083	Communication Connector Panel		A
4063	Asynchronous Multiplexer, EIA style		
4104	Asynchronous Line Interface, 20 mA		E
4106	Communication Chassis		
4105	Asynchronous Line Interface, EIA		C
4106	Communication Chassis		
4207	microDVA Asynchronous Interface		F
4255 OR 4256	3- or 4-Line Asynchronous Line Multiplexer Modem System		4255/3 4256/6
4251 OR 4252 OR 4253	4-Slot Communication Chassis		
4254 OR 4255	16- or 8-Line Asynchronous Multiplexer for Local/Display/4 Lines		4254/8 4255/16
4251 OR 4252 OR 4253	4-Slot Communication Chassis		
MODEM EIA STD	EIA Standard Asynchronous Modem		J

DATA TERMINALS

MODELS 6052/6053 VIDEO DISPLAY TERMINALS

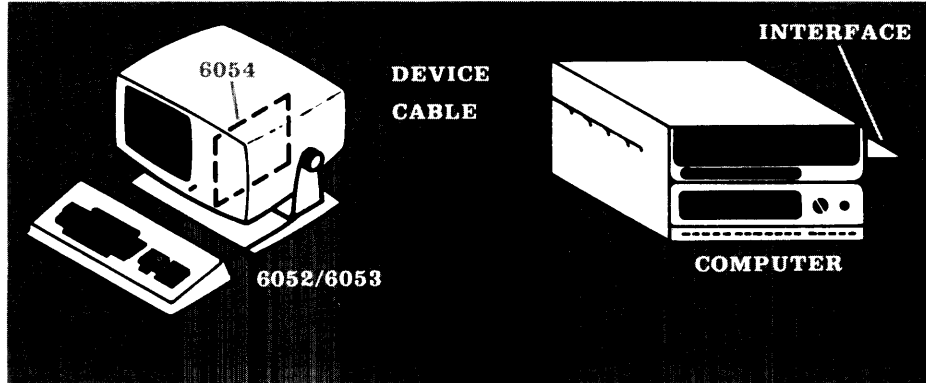
MODELS 6054/6055 PRINTER OPTIONS

MARCH 1977

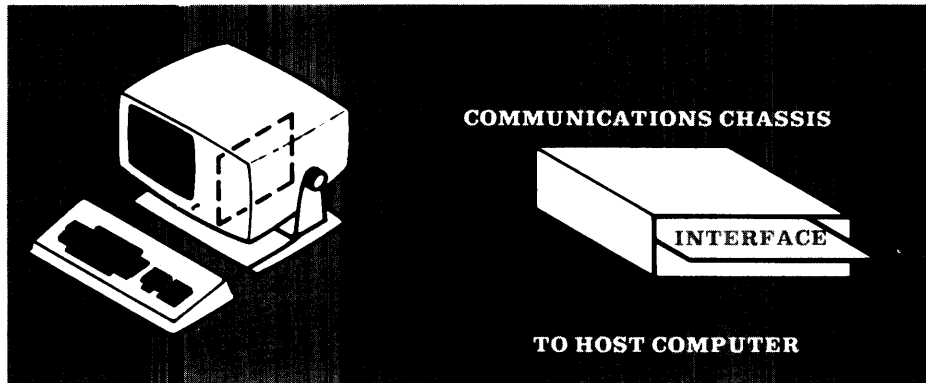
PACKAGING

A video display terminal may connect to any of a wide variety of asynchronous interfaces. A device cable is supplied with each terminal to connect it to a specific interface. The user must specify the appropriate cable when ordering.

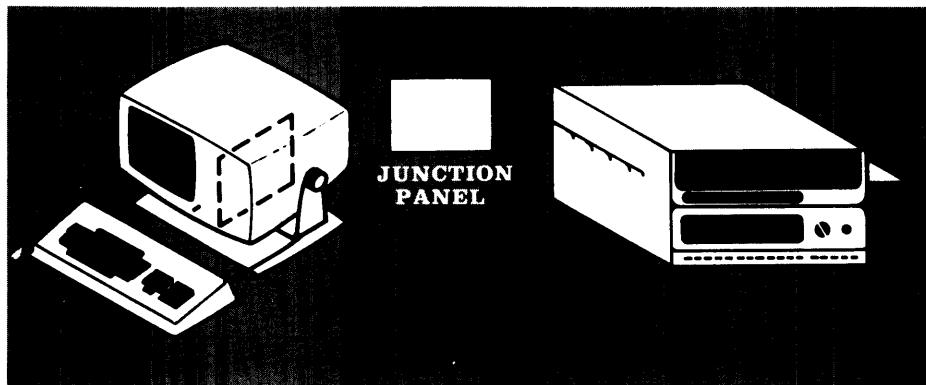
A 6052 or 6053 display terminal connected to a computer-mounted interface. The 6054 printer option is shown dotted; the user must supply the printer and its cable.



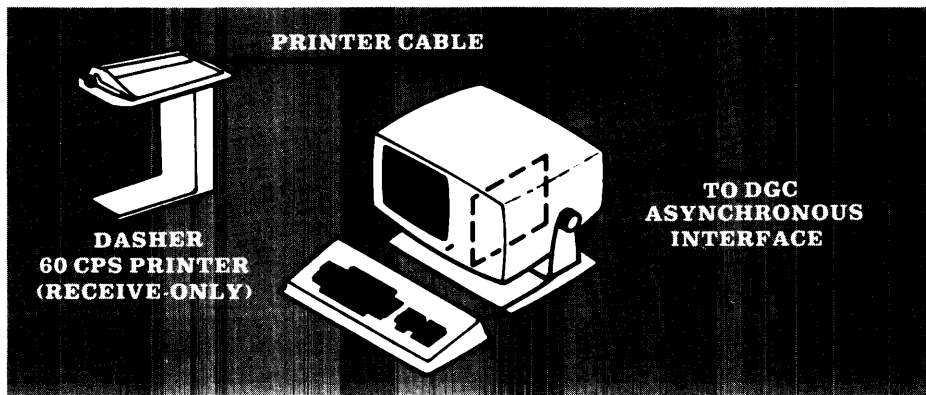
A 6052 or 6053 display terminal connected to a communication chassis interface.



A 6052 or 6053 display terminal connected to a multiplexed junction panel.

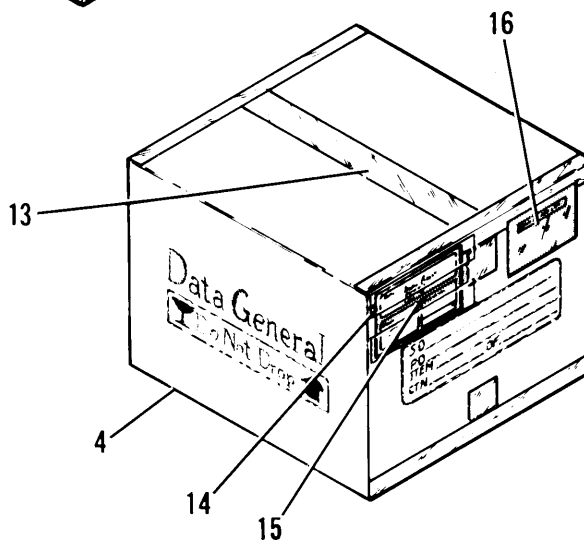
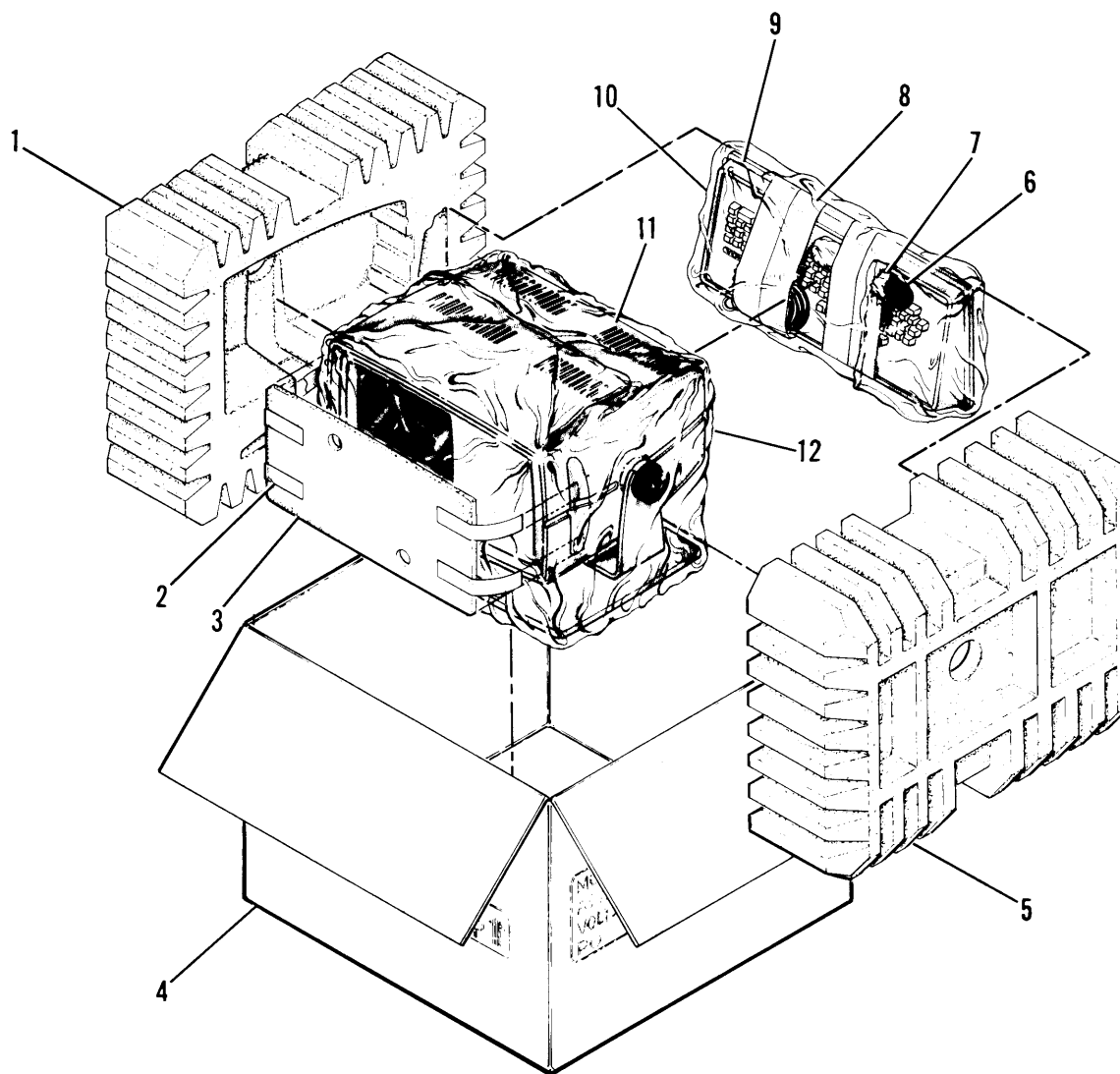


Interconnection scheme for a 6052 or 6053 display terminal with the 6055 printer subsystem option.



This page intentionally left blank.

SHIPPING PACKAGE



DG-03803

The drawings and specifications contained herein are the property of DGC and shall neither be reproduced in whole or in part without DGC prior written approval nor be implied to grant any license to make, use or sell equipment manufactured in accordance herewith.

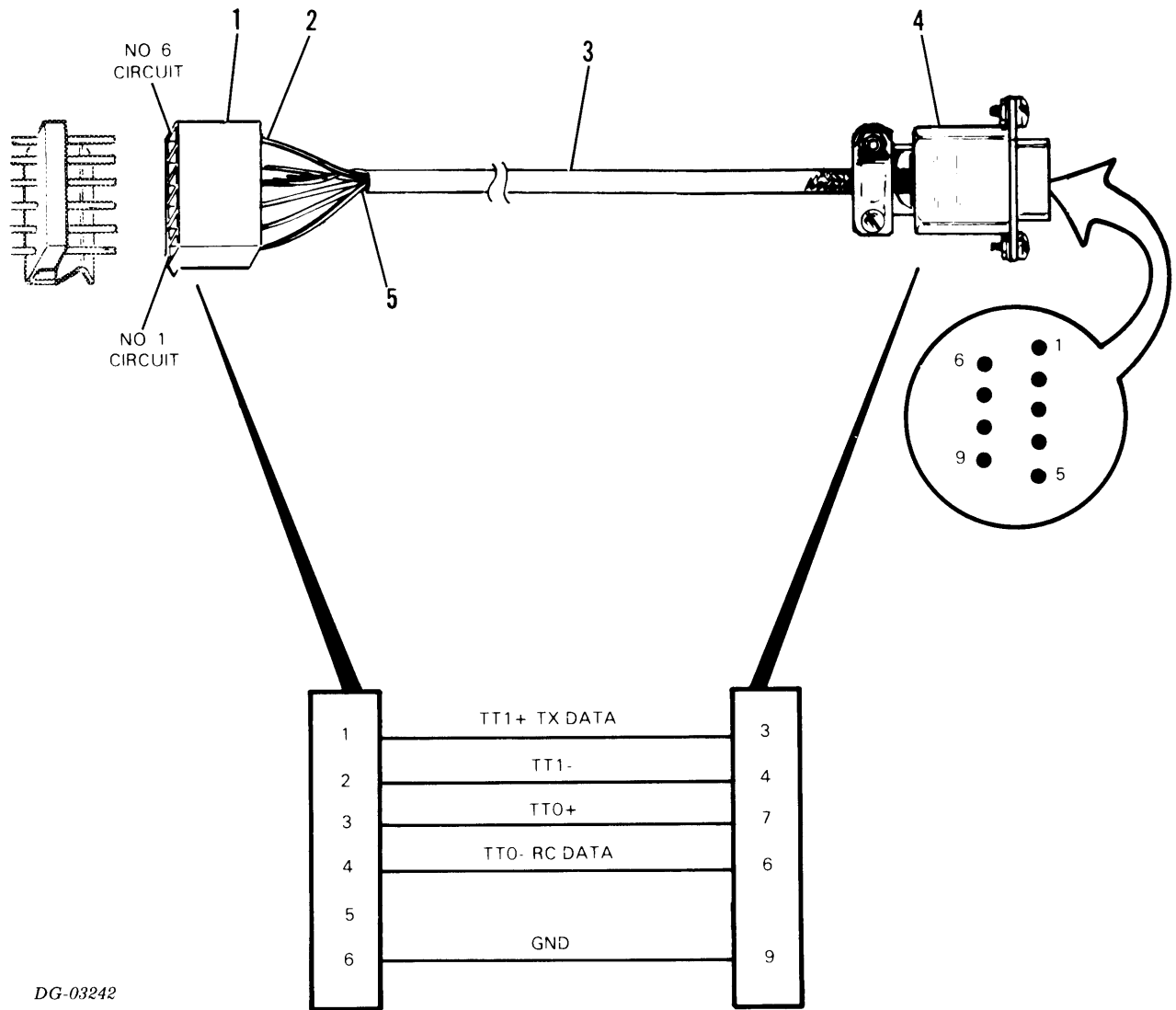
PAGE & ITEM NO.	DESCRIPTION	QTY	DGC PART NO.	REF PAGE NO.
I-4	PACKAGING LCD		044-000010	
1	END CAP (RIGHT SIDE)	1	129-000220	
2	PERMACEL GLASS TAPE, 1/2"	2 FT.	129-000026	
3	FRONT RESTRAINT	1	129-000218	
4	CORRUGATED BOX	1	129-000243	
5	END CAP (LEFT SIDE)	1	129-000219	
6	POWER CORD	REF		III-2
7	FOAM PAD	1	129-000247	
8	FILAMENT TAPE, 2 IN.	9 FT	129-000130	
9	LCD KEYBOARD	REF		III-16
10	POLYBAG (KEYBOARD)	1	129-000244	
11	LCD MONITOR	REF		III-2, III-13
12	POLYBAG (MONITOR)	1	129-000245	
13	REINFORCED SEALING TAPE, 2 IN.	9 FT	129-000027	
14	CLEAR SCOTCH TAPE, 2 IN.	2 FT	129-000051	
15	DGC SHIPPING LABEL	1	129-000030	
16	DGC PACKING LIST	1	129-000043	

The drawings and specifications contained herein are the property of DGC and shall neither be reproduced in whole or in part without DGC prior written approval nor be implied to grant any license to make, use or sell equipment manufactured in accordance herewith.

This page intentionally left blank.

CHAPTER II EXTERNAL CABLES

I/O CABLE N/800 1 STOP BIT CONFIGURATION

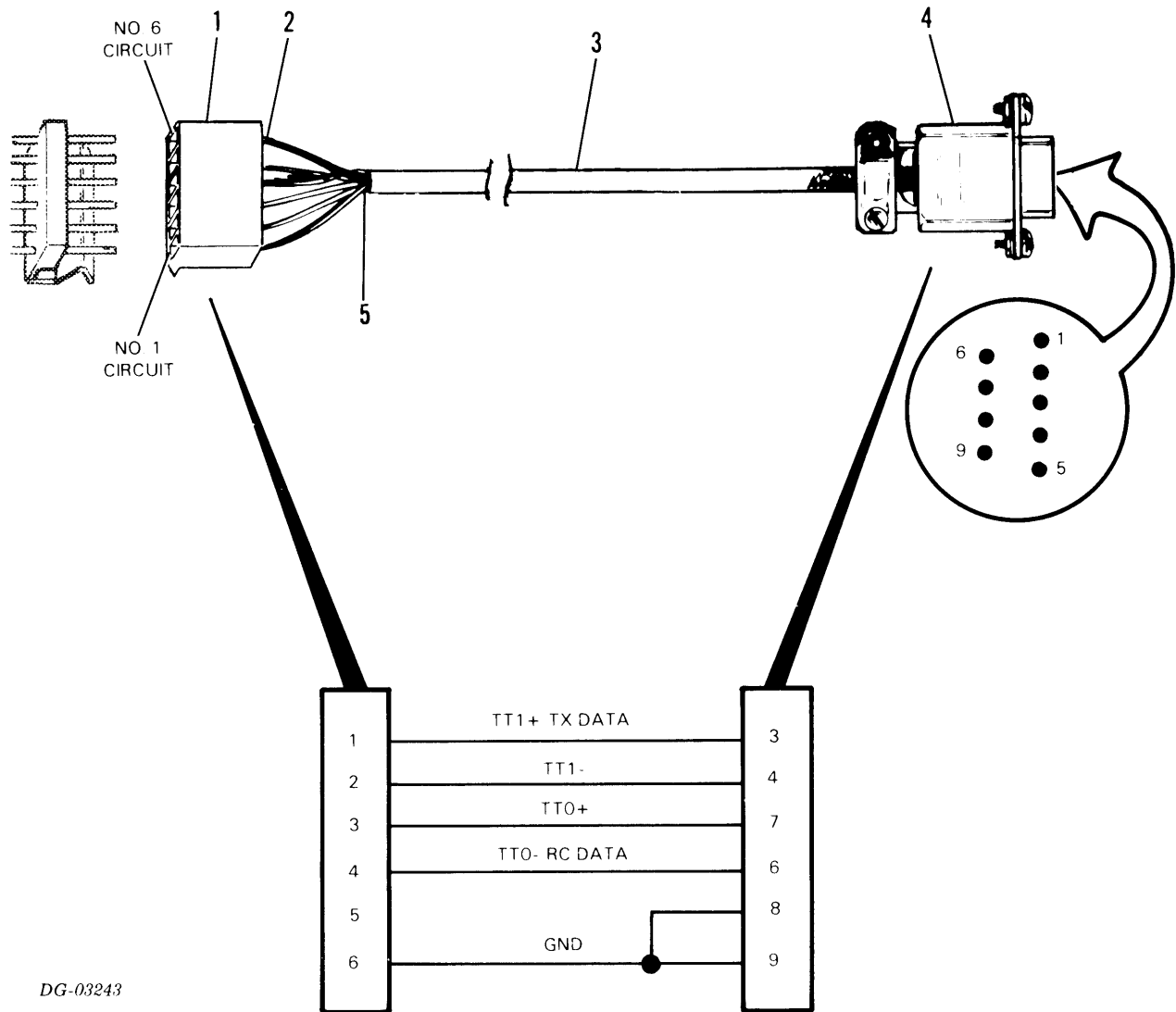


DG-03242

PAGE & ITEM NO.	DESCRIPTION	QTY	DGC PART NO.	REF PAGE NO.
II-2	I/O CABLE N/800 1 STOP BIT CONF		005-007426	I-2
1	CONN PCB MOLEX 09-50-3061	1	111-000565	
2	TERM 2478 18-24 AWG MOLEX 08-50-0105	5	111-000578	
3	TUBING 1/2 DIA HEAT SHRINK BLK	10''	109-000061	
4	CONN 9 CONT PLUG DEC 9 P W/O PINS	1	111-000331	
	CONN JUNCTION SHELL DE 24657	1	111-000019	
	CONN SCREW LOGIC MALE D20419-16	2	111-000023	
	CONN MALE D/10238-34	5	111-000146	
5	CABLE 22 AWG 6-COND 7 X 32	20'	109-000786	

The drawings and specifications contained herein are the property of DGC and shall neither be reproduced in whole or in part without DGC prior written approval nor be implied to grant any license to make, use or sell equipment manufactured in accordance herewith.

I/O CABLE N/800 2 STOP BIT CONFIGURATION

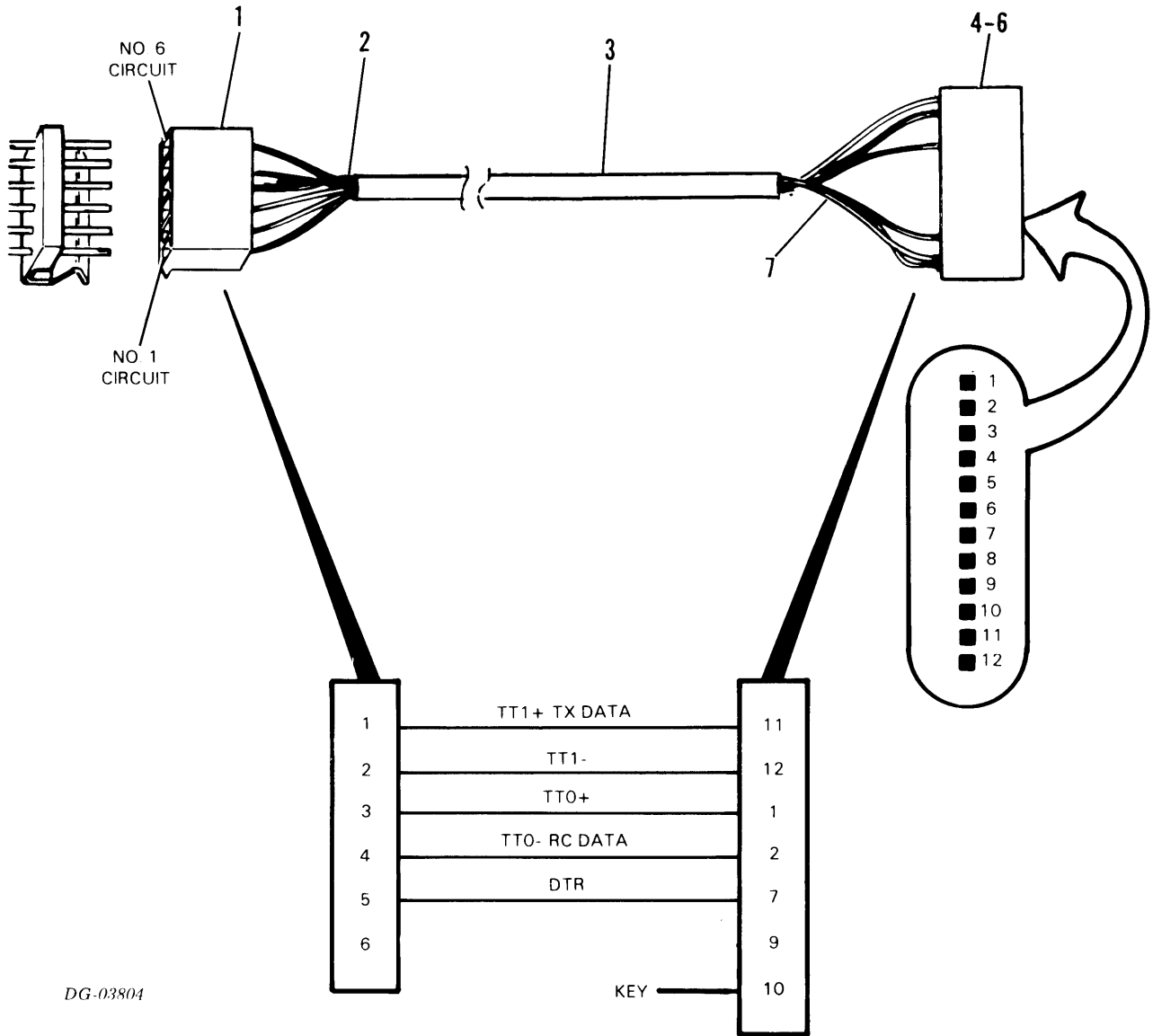


DG-03243

PAGE & ITEM NO.	DESCRIPTION	QTY	DGC PART NO.	REF PAGE NO.
II-4	I/O CABLE N/800 2 STOP BIT CONF		005-007427	I-2
1	CONN PCB MOLEX 09-50-3061	1	111-000565	
2	TERM 2478 18-24 AWG MOLEX 08-50-0105	5	111-000578	
3	TUBING 1/2 DIA HEAT SHRINK BLK	10'	109-000061	
4	CONN 9 CONT PLUG DEC 9P W/O PINS	1	111-000331	
	CONN JUNCTION SHELL DE 24657	1	111-000019	
	CONN SCREW LOCK MALE D20419-16	2	111-000023	
	CONN MALE D/10238-34	5	111-000146	
5	CABLE 22 AWG 6-COND 7 X 32	20'	109-000086	
	WIRE TERMINATION 22 AWG WHT	4"	029-001306	

The drawings and specifications contained herein are the property of DGC and shall neither be reproduced in whole or in part without DGC prior written approval nor be implied to grant any license to make, use or sell equipment manufactured in accordance herewith

I/O CABLE N/1210 1 STOP BIT CONFIGURATION

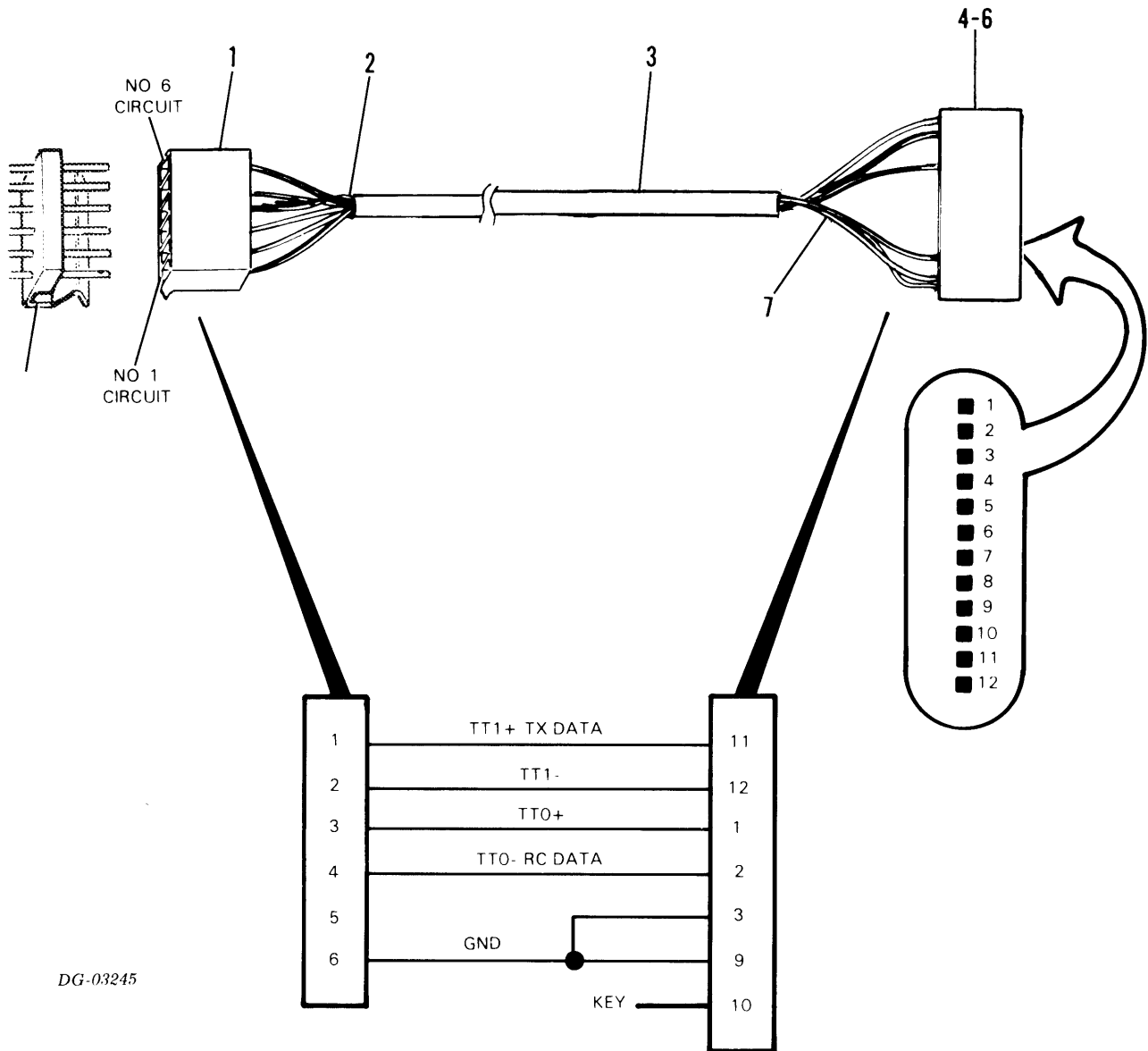


DG-03804

PAGE & ITEM NO.	DESCRIPTION	QTY	DGC PART NO.	REF PAGE NO.
II-6	I/O CABLE N/1210 1 STOP BIT CONF		005-007428	I-2
1	CONN PCB MOLEX 09-50-3061	1	111-000565	
2	TERM 2478 18-24 AWG MOLEX 08-50-0105	6	111-000578	
3	TUBING 1/2 DIA HEAT SHRINK BLK	10'	109-000061	
4	CONN AMP 85969-2 CRP 24-20 AWG	6	111-000058	
5	CONN 12 POSITION AMP 86402-4	1	111-000114	
6	CONN KEY AMP 86286-1	1	111-000148	
7	CABLE 22 AWG 6-COND 7 X 32	20'	109-000086	

The drawings and specifications contained herein are the property of DGC and shall neither be reproduced in whole or in part without DGC prior written approval nor be implied to grant any license to make, use or sell equipment manufactured in accordance herewith.

I/O CABLE N/1210 2 STOP BIT CONFIGURATION



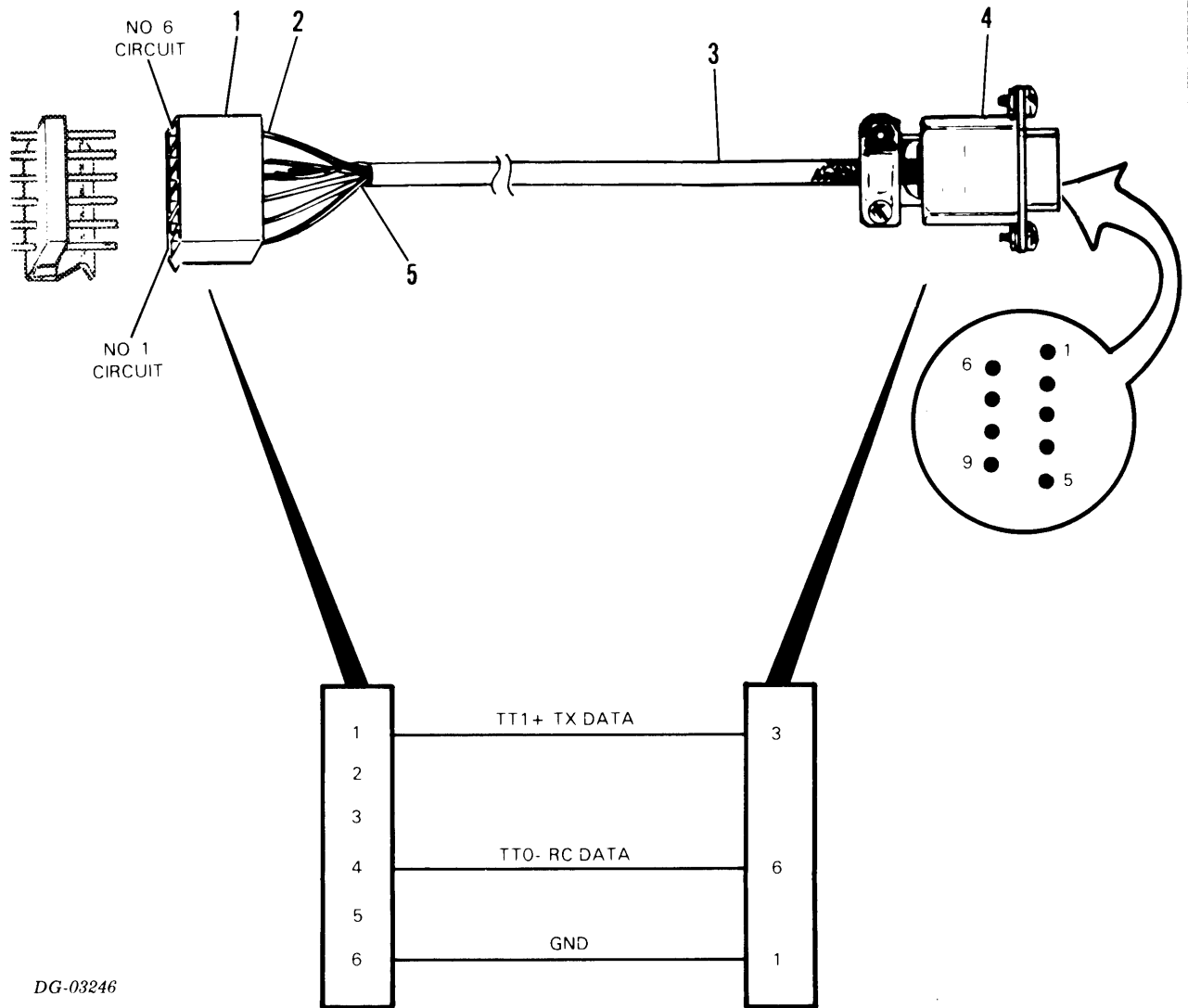
DG-03245

The drawings and specifications contained herein are the property of DGC and shall neither be reproduced in whole or in part without DGC prior written approval nor be implied to grant any license to make, use or sell equipment manufactured in accordance herewith

PAGE & ITEM NO.	DESCRIPTION	QTY	DGC PART NO.	REF PAGE NO.
II-8	I/O CABLE N/1210 2 STOP BIT CONF		005-007429	I-2
1	CONN PCB MOLEX 09-50-3061	1	111-000565	
2	TERM 2478 18-24 AWG MOLEX 08-50-0105	5	111-000578	
3	TUBE 1/2 DIA HEAT SHRINK BLK	10"	109-000061	
4	CONN AMP 85969-2 CRP 24-20 AWG	5	111-000058	
5	CONN 12 POSITION AMP 86402-4	1	111-000114	
6	CONN KEY AMP 86286-1	1	111-000148	
7	CABLE 22 AWG 6-COND 7 X 32	20'	109-000086	
	WIRE TERMINATION 22 AWG WHT	6"	029-001485	

The drawings and specifications contained herein are the property of DGC and shall neither be reproduced in whole or in part without DGC prior written approval nor be implied to grant any license to make, use or sell equipment manufactured in accordance herewith

I/O CABLE N/800 W/4062

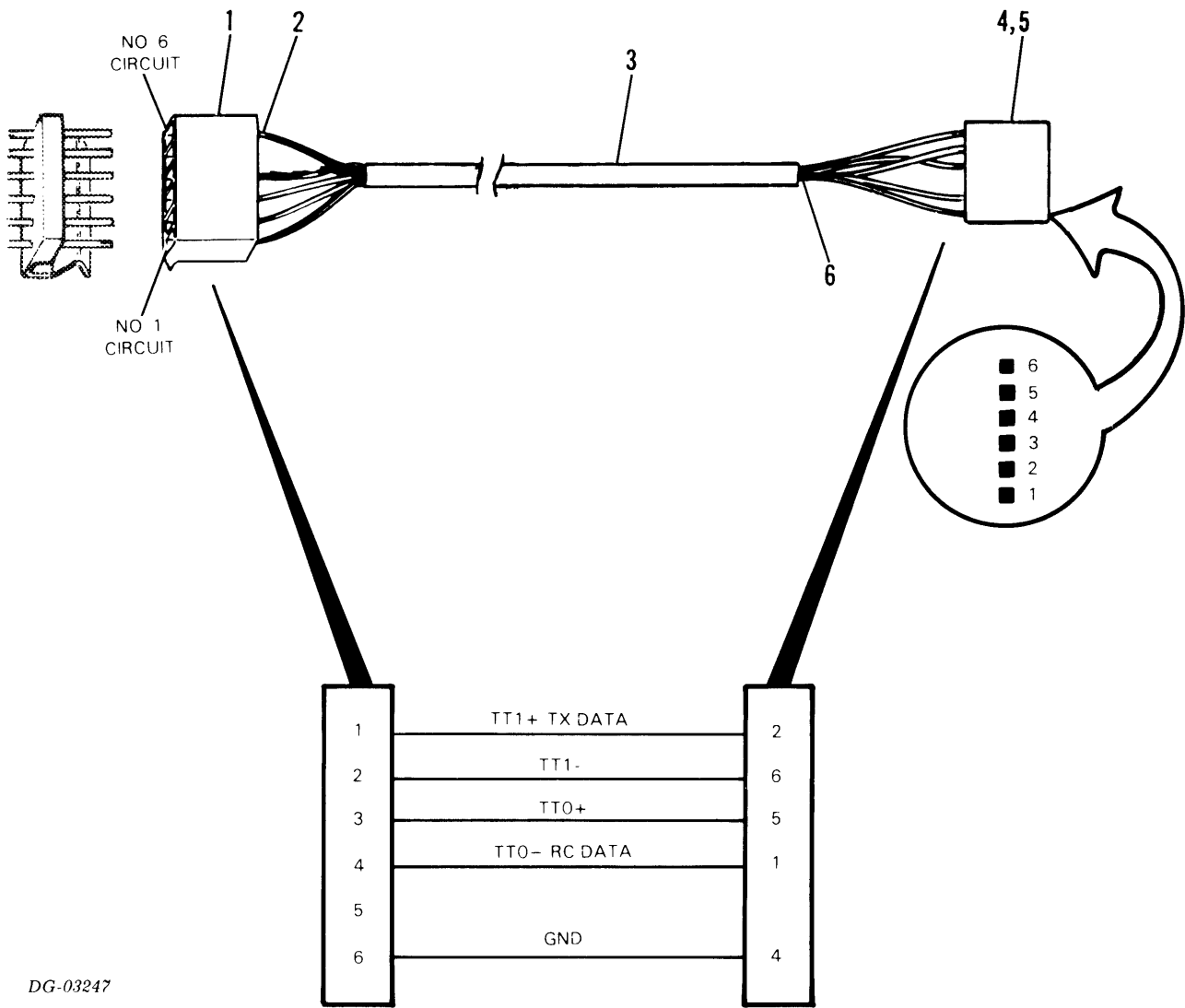


The drawings and specifications contained herein are the property of DGC and shall neither be reproduced in whole or in part without DGC prior written approval nor be implied to grant any license to make, use or sell equipment manufactured in accordance herewith.

PAGE & ITEM NO.	DESCRIPTION	QTY	DGC PART NO.	REF PAGE NO.
II-10	I/O CABLE N/800 W/4062		005-007638	I-2
1	CONN PCB MOLEX 09-50-3061	1	111-000565	
2	TERM 2478 18-24 AWG MOLEX 08-50-0105	3	111-000578	
3	TUBING 1/2 DIA HEAT SHRINK BLK	10'	109-000061	
4	CONN 9 CONT PLUG DEC 9P W/O PINS	1	111-000331	
	CONN JUNCTION SHELL DE 24657	1	111-000019	
	CONN SCREW LOCK MALE D20419-16	2	111-000023	
	CONN MALE/D110238-34	3	111-000146	
5	CABLE 22 AWG 6-COND 7 X 32	20'	109-000086	

The drawings and specifications contained herein are the property of DGC and shall neither be reproduced in whole or in part without DGC prior written approval nor be implied to grant any license to make, use or sell equipment manufactured in accordance herewith.

I/O CABLE ALM 16/4257

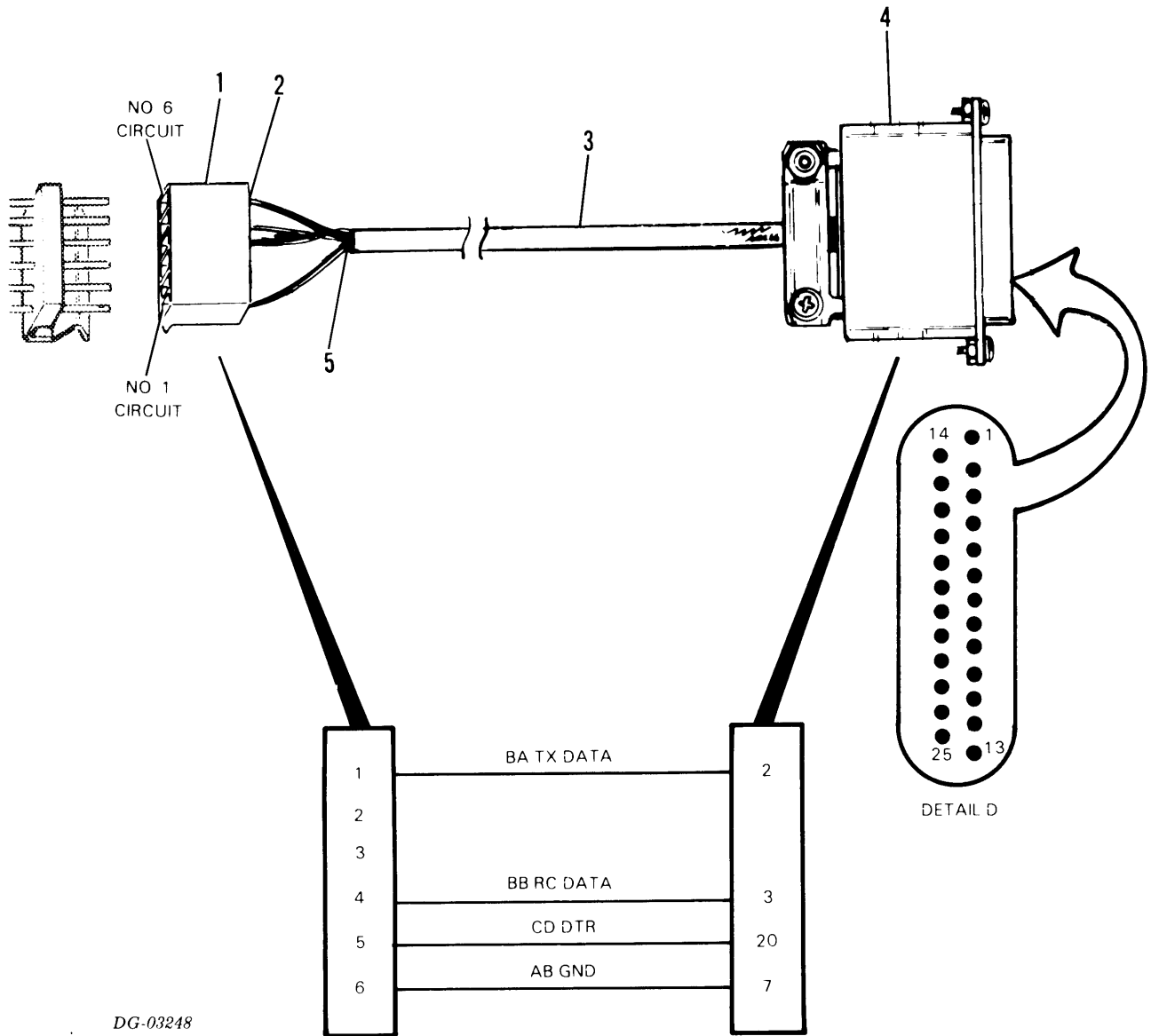


DG-03247

PAGE & ITEM NO.	DESCRIPTION	QTY	DGC PART NO.	REF PAGE NO.
II-12	I/O CABLE ALM 16/4257		005-007636	I-2
1	CONN PCB MOLEX 09-50-3061	1	111-000565	
2	TERM 2478 18-24 AWG MOLEX 08-50-0105	5	111-000578	
3	TUBING 1/2 DIA HEAT SHRINK BLK	10"	109-000061	
4	CONN AMP 85969-2 CRP 24-20 AWG	5	111-000058	
5	CONN 6 PIN MADE FROM DGC111-000113	1	111-000454	
6	CABLE 22 AWG 6 COND 7 X 32	20'	109-000086	

The drawings and specifications contained herein are the property of DGC and shall neither be reproduced in whole or in part without DGC prior written approval nor be implied to grant any license to make, use or sell equipment manufactured in accordance herewith.

I/O CABLE EIA INTERFACE

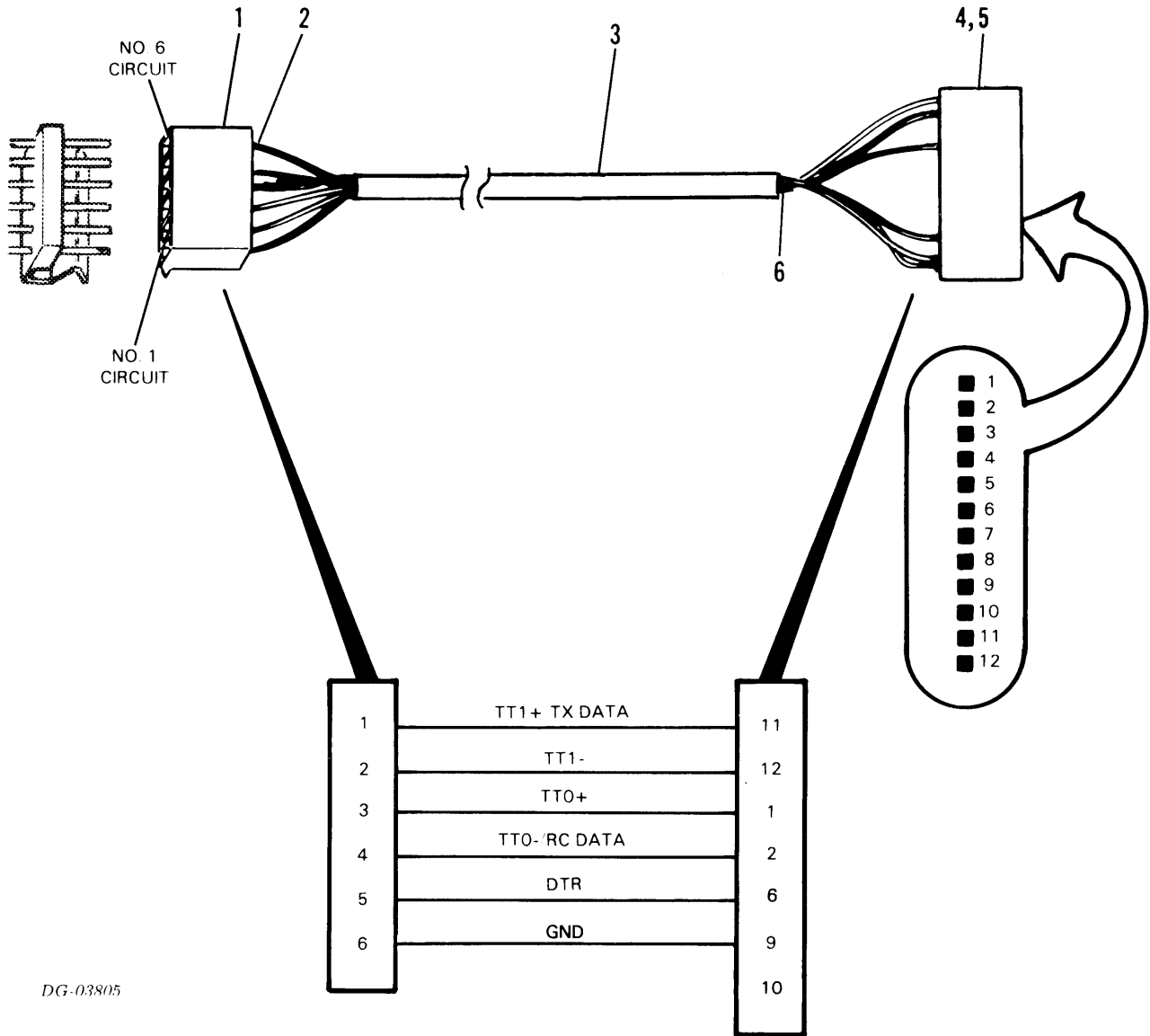


DG-03248

PAGE & ITEM NO.	DESCRIPTION	QTY	DGC PART NO.	REF PAGE NO.
II-14	I/O CABLE EIA INTFC		005-007637	I-2
1	CONN PCB MOLEX 09-50-3061	1	111-000565	
2	TERM 2478 18-24 AWG MOLEX 08-50-0105	4	111-000578	
3	TUBING 1/2 DIA HEAT SHRINK BLK	10''	109-000061	
4	CONN 25 CONT PLUG DEC 25P W/O PINS	1	111-000333	
	CONN JUNCTION SHELL DB 24659	1	111-000020	
	CONN SCREW LOCK MALE 20419-21	2	111-000024	
	CONN MALE/D 110238-34	2	111-000146	
5	CABLE 22 AWG 6-COND 7 X 32	20'	109-000086	

The drawings and specifications contained herein are the property of DGC and shall neither be reproduced in whole or in part without DGC prior written approval nor be implied to grant any license to make, use or sell equipment manufactured in accordance herewith.

I/O CABLE SERIAL LCD TO ALM 8



DG-03805

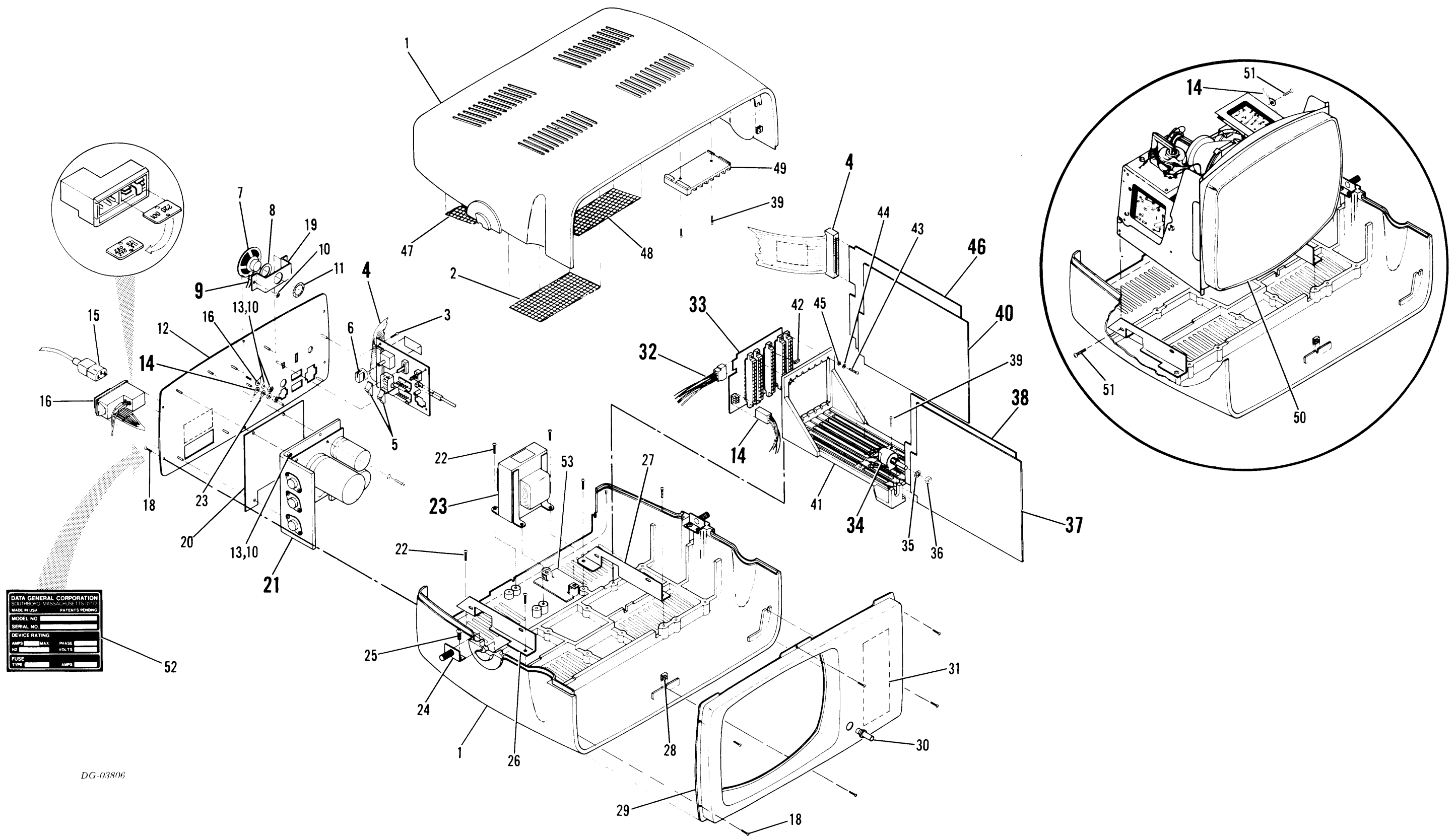
PAGE & ITEM NO.	DESCRIPTION	QTY	DGC PART NO.	REF PAGE NO.
II-16 1 2 3 4 5 6	I/O CABLE SERIAL LCD TO ALM 8 CONN PCB MOLEX 09-50-3061 TERM 2478 18-24 AWG MOLEX 08-50-0105 TUBING 1/2" DIA HEAT SHRINK TUBING CONN AMP 85969-2 CRP24-20AWG CONN 12 POSITION AMP 86402-4 CABLE 22 AWG 6-COND 7 X 32 WIRE TERMINATION 22 AWG WHT	1 3 10" 3 1 1 2"	005-008181 111-000565 111-000578 109-000061 111-000058 111-000114 109-000086 029-001487	I-2

The drawings and specifications contained herein are the property of DGC and shall neither be reproduced in whole or in part without DGC prior written approval nor be implied to grant any license to make, use or sell equipment manufactured in accordance herewith

This page intentionally left blank.

CHAPTER III MAIN ASSEMBLY

MAIN ASSEMBLY



DATA GENERAL CORPORATION	
SOUTHBORO, MASSACHUSETTS 01772	
MADE IN USA PATENTS PENDING	
MODEL NO.	
SERIAL NO.	
DEVICE RATING	
AMPS	MAX. PHASE
HZ	VOLTS
FUSE	
TYPE	AMPS

DG-03806

The drawings and specifications contained herein are the property of DGC and shall neither be reproduced in whole or in part without DGC prior written approval nor be implied to grant any license to make, use or sell equipment manufactured in accordance herewith.

PAGE & ITEM NO.	DESCRIPTION	QTY	DGC PART NO.	REF PAGE NO.
III-2	MAIN CRT ASSEMBLY BASIC MODEL		005-008001	I-2
	MAIN CRT ASSEMBLY ENHANCED MODEL		005-008002	I-2
1	MECH PT ENCL CASE INTEL TERM	2	002-004955	
2	MECH PT CVR 5.34 X 2.38 LCD	2	002-000121	
3	HDW SCR PHH PNH SCDP 4-40 X 1/4	4	106-000478	
4	ASSY PCB ACCESSORY TESTED L/C DISPL	1	005-006769	
	IPL ACCESSORY BD DISPL	REF	016-000323	
5	STD PT CAP, SW BTN BLU 6-02-56	2	123-001024	
6	STD PT KNOB, RND W/BAR POINTER 4011C	1	123-001020	
7	STD PT SPEAKER, 2" P.M. 99-60360	1	123-000828	
8	HDW WSHR FLAT FBR 1.1250DX, 87571DX.031	1	106-000884	
9	ASSY CA INT BEEPER TO CONN FRAME	1	005-006756	III-8
10	HDW NUT HEX KEP SCDP 6-32	8	106-000256	
11	STD PT CLIP, RND TNRMN (1515155-014)	1	123-001059	
12	MECH PT REAR PLATE ASSY, CRT TERM	1	002-005374	
13	HDW WSHR FLAT NO. 6.156 X .375 X .049 SCDP	6	106-000461	
14	ASSY CA INT P/S TO B/P L/C DISPL	1	005-006835	III-10
15	CORD LINE BELDEN 17250	1	109-000249	
16	CONN W/LN FLTR/VOLT SEL 6J4	1	111-000709	
17	MISC INSPECTION STICKER	5	110-000067	
18	HDW SCR PHH PNH TF BLK OXD 6-32 X 3/8	12	106-000909	
19	MECH PT SPKR BRKT, LCD	1	002-005770	
20	MECH PT P/S MTG BRKT THERMAL PAD	1	002-005789	
21	ASSY PWR SUPPLY LCD	1	005-006767	
	MECH PT BRKT, P/S MTG DISPL TERM	1	002-005298	
	ASSY PCB P/S L/C DISPL	1	005-006768	
	IPL P/S PCB LCD	REF	016-000353	
	ASSY CA INT P/S JMPR L/C DISPL	1	005-006836	
	IC LM320K-12 NEG 12V 3 TERM REG	1	100-000354	
	IC LM340K-15 POS 15V 3 TERM REG	1	100-000355	
	IC LM323K SH323KC	1	100-000591	
	HDW SCR PHH PNH SCDP SEMS 6-32 X 1/2	5	106-000546	
	HDW WSHR FLAT PVC .17IDX .370DX 0.06THK	1	106-000608	
	STD PT SOCKET TO-3	3	123-000052	
	STD PT PAD, COND SILICONE TO-3	3	123-001062	
22	SLTD HEX WSHR HD PLASTITE SCDP NO. 6 X 3/8	8	106-000916	
23	ASSY TRANSFORMER LCD	1	005-007616	III-10
	XFMR PWR, DISPL TERM	1	104-000165	
	SLEEVING 3/16" HEAT SHRINK	1	109-000099	
	TERM R TNG NO. 6 STUD 18-22 AMP 2-34144-1	1	111-000264	
	TERM FEMALE .093DIA 18-22GA MOLEX 1381	7	111-000270	
	CONN CONTACT AMP 87270 SER 87269-1	2	111-000671	
	CONN 2P AMP NO 87270-2	1	111-000672	
	TERM FEMALE PIN NO 18-22 02-05-3204 MLX	5	111-000700	
24	MECH PT BRKT, ANGLE CASE/YOKE SPRT	2	002-005394	
25	SLTD HEX WSHR HD PLASTITE SCDP NO. 8 X 3/8	4	106-000915	
26	MECH BRKT MONITOR LH L/C CRT TERM	1	002-005403	
27	MECH PT BRKT MONITOR RH L/C CRT TERM	1	002-005404	
28	STD PRT TNRMN CLIP C11351-632	12	123-001120	
29	MECH PT BEZEL, CRT TERM, INTEL TERM	1	002-005122	
30	STD PT KNOB FOR SHAFT, 295601	1	123-000979	
31	MECH PT FOAM PAD LCD	1	002-006123	
32	ASSY CA INT CRT TO B/P L/C DISPL	1	005-006844	III-6
33	ASSY PCB CONN FRAME TESTED	1	005-006757	
	IPL B/P DISPL TERM	REF	016-000322	
34	ASSY CA INT PWR SWITCH L/C DISPL	1	005-006752	III-8
35	HDW WSHR INTL TOOTH SCDP 3/8	1	106-000554	
36	HDW NUT HEX 3/32 THK SCDP-3/8-32UNEF	1	106-000553	

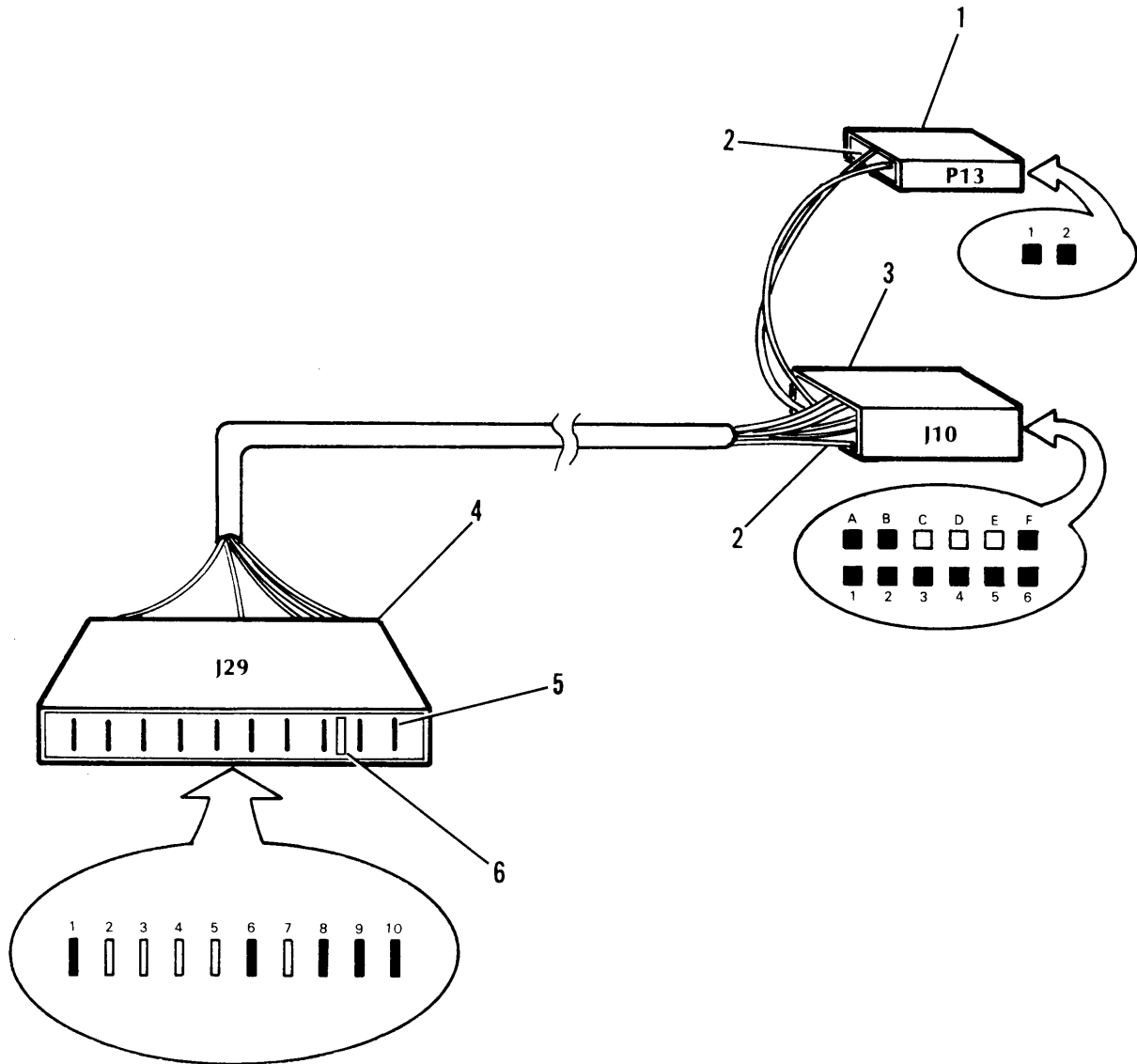
The drawings and specifications contained herein are the property of DGC and shall neither be reproduced in whole or in part without DGC prior written approval nor be implied to grant any license to make, use or sell equipment manufactured in accordance herewith

PAGE & ITEM NO.	DESCRIPTION	QTY	DGC PART NO.	REF PAGE NO.
37	ASSY PCB VIDEO GEN	1		
	L/C DISPL BASIC	1	005-006761	
	IPL DSPL VIDEO LCD	REF	016-000347	
	ENHANCED TERM	1	005-006837	
	IPL DSPL VID TE LCD	REF	016-000348	
38	ASSY PCB DISPL MEMORY	1		
	0607 BASIC	1	005-007544	
	0608 BASIC	1	005-007546	
	0607 TE	1	005-007548	
	0608 TE	1	005-007550	
	IPL DSPL MEM LCD	REF	016-000343	
	IPL DISPLAY MEMORY	REF	016-000344	
39	HDW SCR PHH PNH PLASTITE SCDP NO. 4 X 1/2	6	106-000852	
40	ASSY PCB CTRL TESTED L/C DISPL	1	005-006765	
	IPL DSPL CTL LCD	REF	016-000349	
41	MECH PT CARD GUIDE, BOTTOM DISPL TERM	1	002-005330	
42	CONN POLARIZING KEY BETWEEN CONTACT	5	111-000723	
43	HDW SCR PHH PNH SCDP 4-40X 9/16	6	106-000065	
44	HDW WSHR LOCK SPLIT SCDP NO. 4	6	106-000669	
45	HDW WSHR FLAT NO 4, .125 X .312 X 0.032 SCDP	6	106-000265	
46	ASSY PCB I/O TESTED L/C DISPL	1	005-006759	
	IPL ASYNCH I/O L/C DISPL	REF	016-000350	
47	MECH PT CVR 5.81 X 2.69 LCD	1	002-006120	
48	MECH PT CVR W/NOTCHES LCD	1	002-006122	
49	MECH PT CARD GUIDE TOP DISPL TERM	1	002-005329	
50	PVR ASSY 12" VIDEO MONITOR	1	118-000519	III-12
51	HDW SCR HEX WSHR HD TF SCDP 8-32 X 5/16	3	106-000816	
52	EQUIPMENT LABEL	1	002-006209	
53	MECH PT SHIELD	1	002-006312	

The drawings and specifications contained herein are the property of DGC and shall neither be reproduced in whole or in part without DGC prior written approval nor be implied to grant any license to make, use or sell equipment manufactured in accordance herewith

This page intentionally left blank.

INTERNAL CABLE CRT TO BACK PANEL

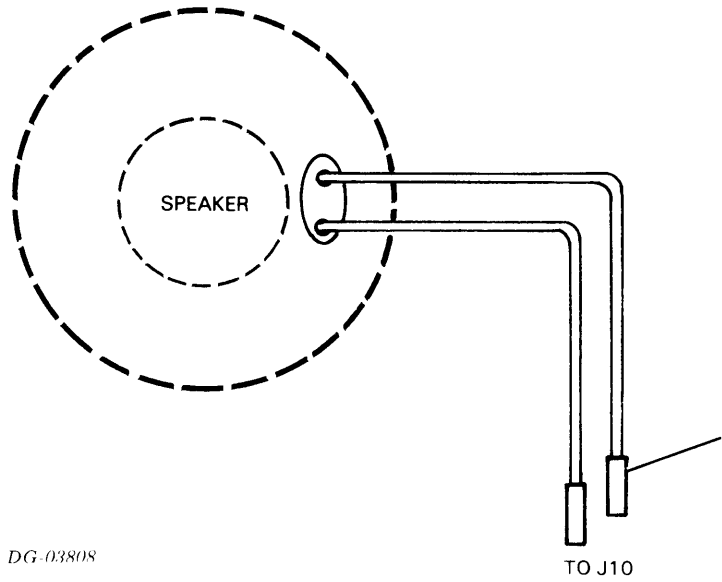


DG-03807

PAGE & ITEM NO.	DESCRIPTION	QTY	DGC PART NO.	REF PAGE NO.
III-6	ASSY CA INT CRT TO B/PL/C DSPL	1	005-006844	III-2, 22
1	CONN PLUG 2P MOLEX 09-50-7021	1	111-000668	
2	WIRE TERMINATION 24 AWG BLK/WHT	14"	029-001937	
	WIRE TERMINATION 24 AWG WHT	15"	029-001938	
	WIRE TERMINATION 24 AWG BLK	15"	029-001939	
	WIRE TERMINATION 24 AWG ORG	15"	029-001940	
	WIRE TERMINATION 24 AWG RED	15"	029-001941	
	WIRE TERMINATION 24 AWG BLU	15"	029-001942	
3	CONN EDGE BRD-6 DUAL W/O EARS	1	111-000543	
4	CONN IOP EDGE, 156 CTRS 583299-1	1	111-000694	
5	CONN CONTACT CRIMP FORK 583259-3	5	111-000695	
6	CONN KEY, POLAR, PL			

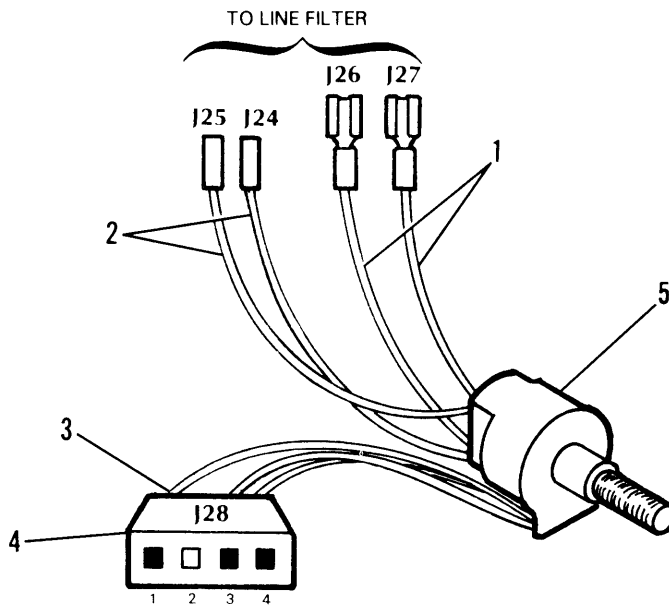
The drawings and specifications contained herein are the property of DGC and shall neither be reproduced in whole or in part without DGC prior written approval nor be implied to grant any license to make, use or sell equipment manufactured in accordance herewith.

INTERNAL CABLE BEEPER TO CONNECTOR FRAME



DG-03808

INTERNAL CABLE POWER SWITCH

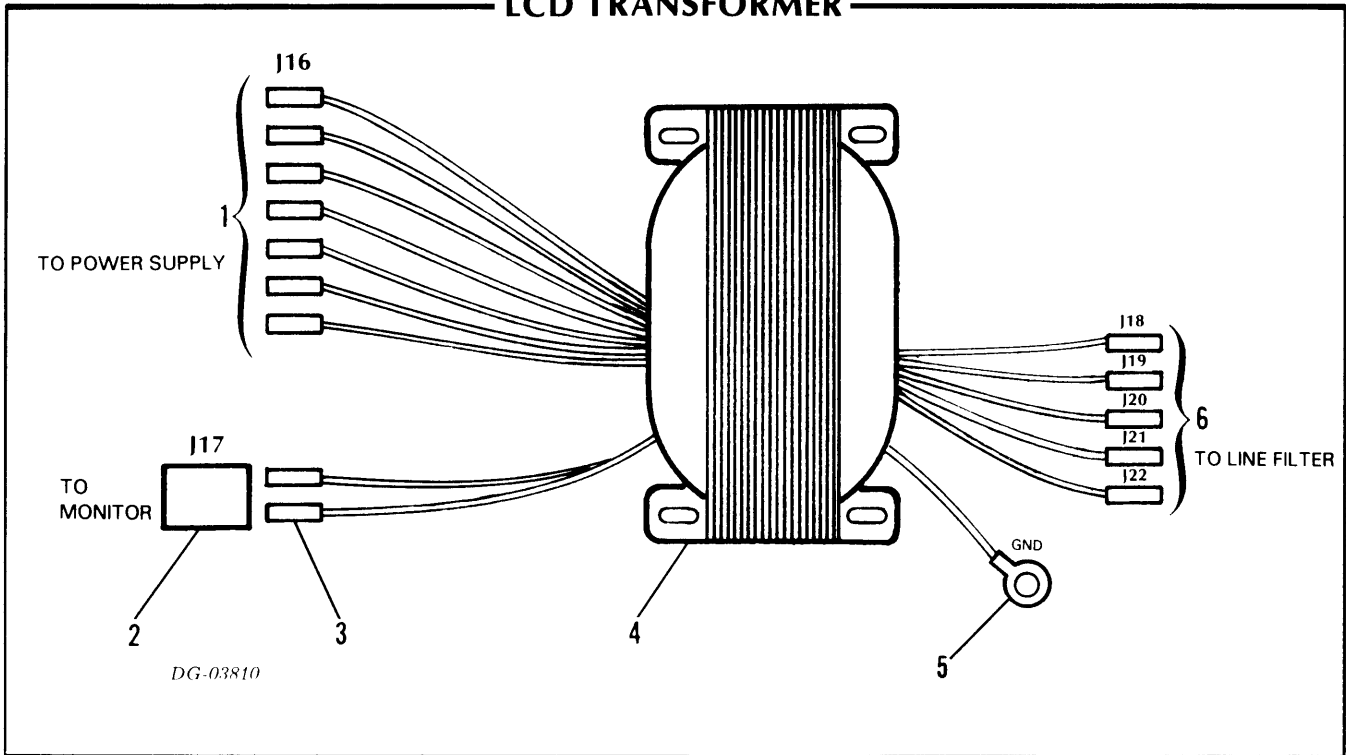


DG-03809

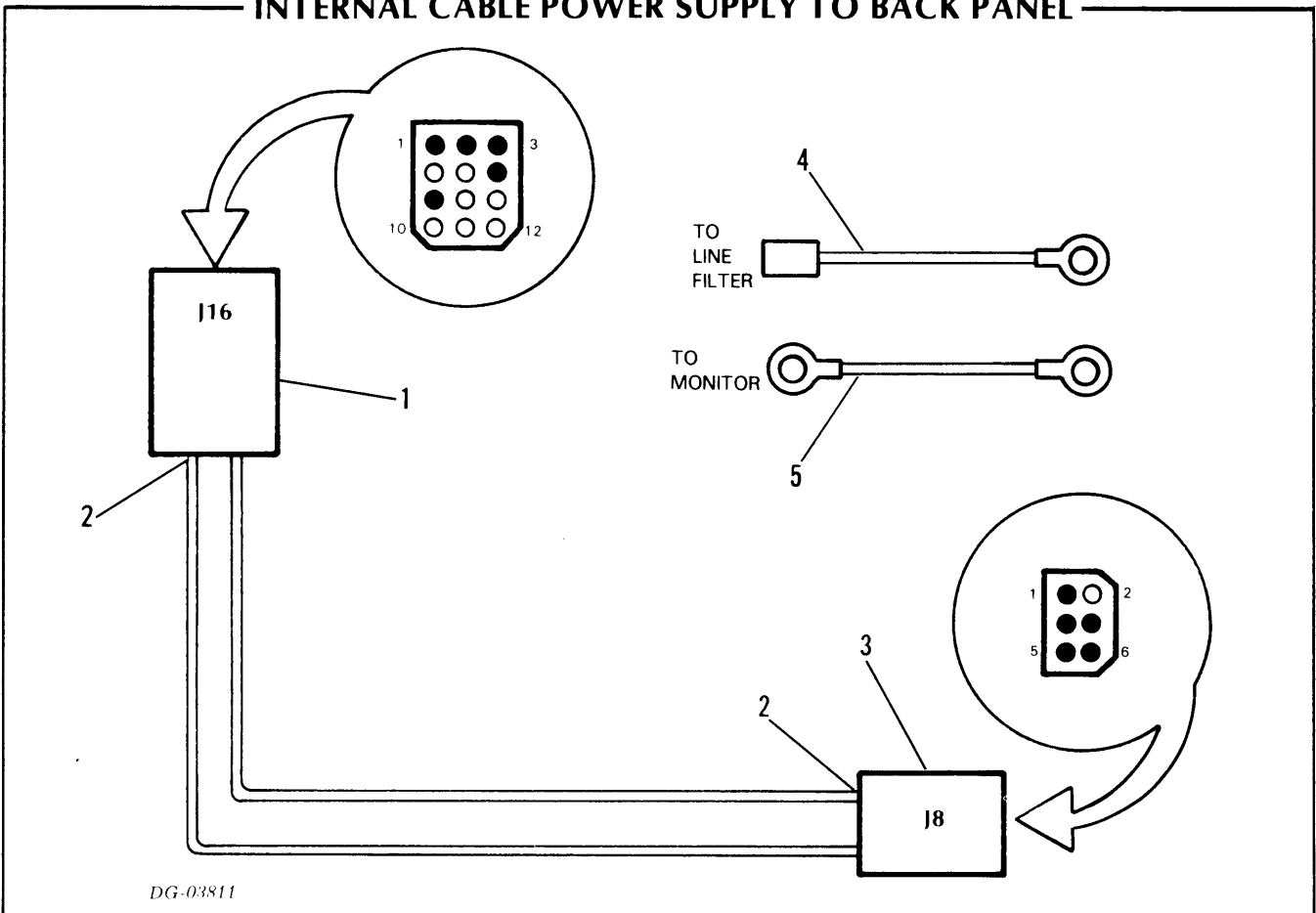
PAGE & ITEM NO.	DESCRIPTION	QTY	DGC PART NO.	REF PAGE NO.
III-8 1	ASSY CA INT BEEPER TO CONN FRAME WIRE TERMINATION 24 AWG WHT	1 15"	005-006756 029-001943	III-2, 22
III-8 1 2 3 4 5	ASSY CA INT PWR SWITCH L/C DSPL TERM RECPT 110 SER 22-18 AWG 509770-71 TERM PIN FEMALE 18-22 02-05-3204 MLX CONN CONTACT AMP 87270 SER 87269-1 CONN 3P AMP NO 87270-3 SWITCH CTLAY-3094	2 2 3 1 1	005-006752 111-000589 111-000706 111-000671 111-000670 110-000275	III-2, 12, 22

The drawings and specifications contained herein are the property of DGC and shall neither be reproduced in whole or in part without DGC prior written approval nor be implied to grant any license to make, use or sell equipment manufactured in accordance herewith.

LCD TRANSFORMER



INTERNAL CABLE POWER SUPPLY TO BACK PANEL

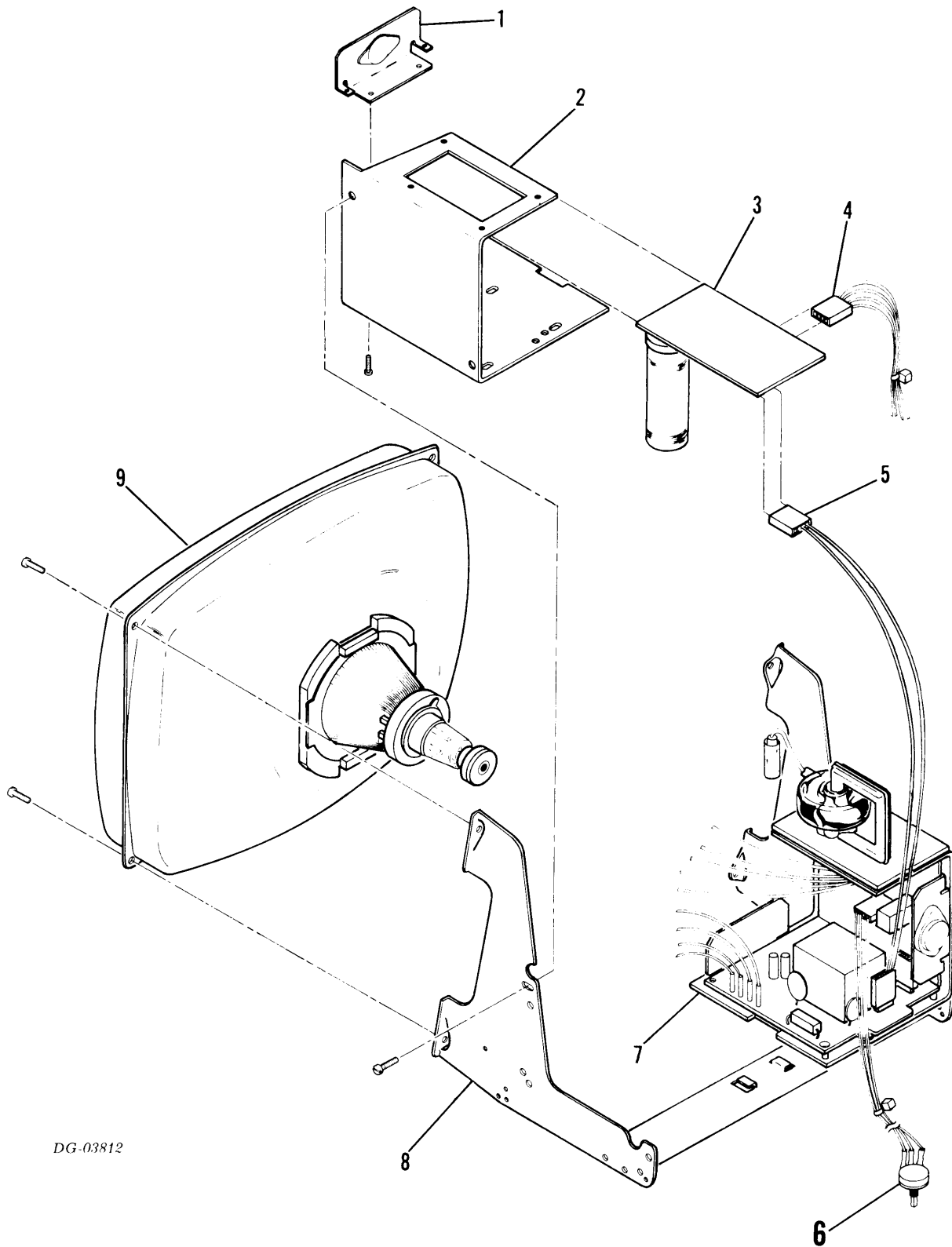


The drawings and specifications contained herein are the property of DGC and shall neither be reproduced in whole or in part without DGC prior written approval nor be implied to grant any license to make, use or sell equipment manufactured in accordance herewith

PAGE & ITEM NO.	DESCRIPTION	QTY	DGC PART NO.	REF PAGE NO.
III-10 1 2 3 4 5 6	ASSY XFMR LCD TERM FEMALE.093 DIA 18-22 GA MOLEX CONN 2P AMP NO 8720-2 CONN CONTACT AMP 872-70 SER 87269-1 XFMR PWR, DSPL TERM TERM RTNG NO 6 STUD 18-22 AMP 3-34144-1 TERM PIN FEMALE NO 18-22 02-05-3204	7 1 2 1 1 5	005-007616 111-000270 111-000672 111-000671 104-000165 111-000264 111-000700	III-2, 22
III-10 1 2 3 4 5	ASSY CA INT P/S TO B/P L/C DSPL CONN RCPT MOLEX 12CKT 1360R-1 WIRE TERMINATION 18 AWG WHT WIRE TERMINATION 18 AWG BLK WIRE TERMINATION 18 AWG RED WIRE TERMINATION 18 AWG YEL WIRE TERMINATION 18 AWG BLU CONN RECEPTACLE MOLEX 126-IR-2 WIRE TERMINATION 18 AWG GRN WIRE TERMINATION 18 AWG GRN	1 14" 14" 14" 14" 14" 1 7" 14"	005-006835 111-000171 029-001930 029-001931 029-001932 029-001933 029-001934 111-000129 029-001935 029-001936	III-2, 22 III-2 III-2

The drawings and specifications contained herein are the property of DGC and shall neither be reproduced in whole or in part without DGC prior written approval nor be implied to grant any license to make, use or sell equipment manufactured in accordance herewith.

VIDEO MONITOR ASSEMBLY



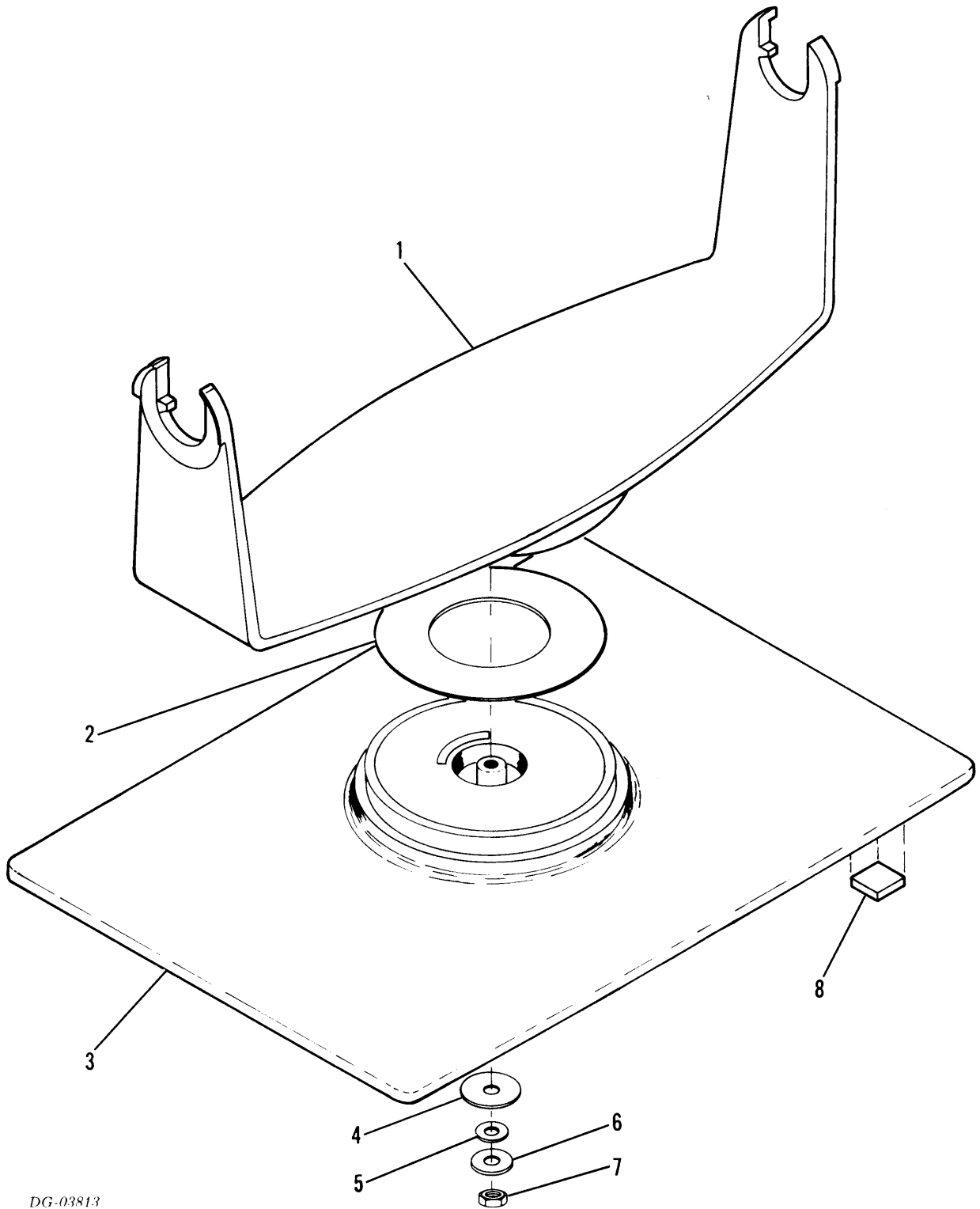
DG-03812

The drawings and specifications contained herein are the property of DGC and shall neither be reproduced in whole or in part without DGC prior written approval nor be implied to grant any license to make, use or sell equipment manufactured in accordance herewith

PAGE & ITEM NO.	DESCRIPTION	QTY	DGC PART NO.	REF PAGE NO.
III-12 1 2 3 4 5 6 7 8 9	PUR ASSY 12" VIDEO MONITOR REGULATOR A8W (6052) 45S137368 POWER SUPPLY CHASSIS CKT MOD P/S PCB (6052) 84V25015A68 P4 TO 70V REG P5 P/S PCB TO VIDEO PPB ASSY CA INT PWR SWITCH L/C DSPL PUR ASSY DEFLECTION COIL 6052 1V25019A45 MONITOR CHASSIS CRT	 1 1 1 	118-000519 101-000380 N/A 116-000299 N/A N/A 005-06752 118-000635 N/A N/A	 III-8

The drawings and specifications contained herein are the property of DGC and shall neither be reproduced in whole or in part without DGC prior written approval nor be implied to grant any license to make, use or sell equipment manufactured in accordance herewith.

PEDESTAL ASSEMBLY



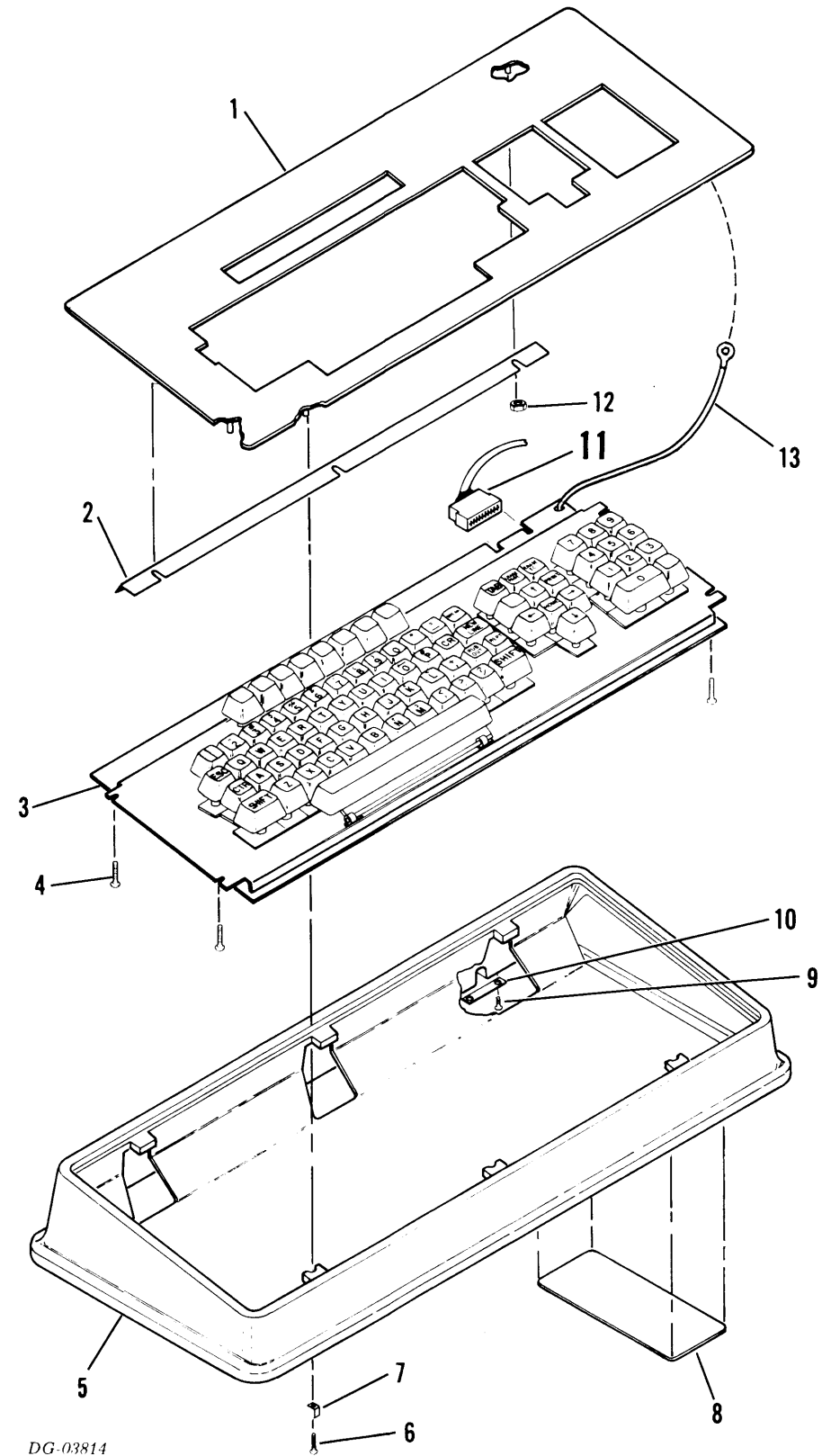
DG-03813

PAGE & ITEM NO.	DESCRIPTION	QTY	DGC PART NO.	REF PAGE NO.
III-14	PEDESTAL ASSEMBLY	1	005-006748	I-2
1	MECH PT YOKE, CAST ALUM L/C DSPL TERM	1	002-005343	
2	MECH PT BEARING PAD L/C CRT TERM	1	002-005451	
3	MECH PEDESTAL CRT ENCL INTEC RM	1	002-005117	
4	WSHR FLAT SZCP 1.25 ODX 11/32 IDX.06	1	106-000830	
5	STD PT SPRING WSHR, BELLEVILLE	1	123-000978	
6	WSHR FLAT SCDP 7/8 ODX 3/8 DX.06 THIC	1	106-000831	
7	HDW NUT HEX SELF-LOCKING SCDP 5/16 X 18	1	106-000832	
8	STD PT SPRT PAD RUBBER, W/ADV BLK	4	123-001023	

The drawings and specifications contained herein are the property of DGC and shall neither be reproduced in whole or in part without DGC prior written approval nor be implied to grant any license to make, use or sell equipment manufactured in accordance herewith.

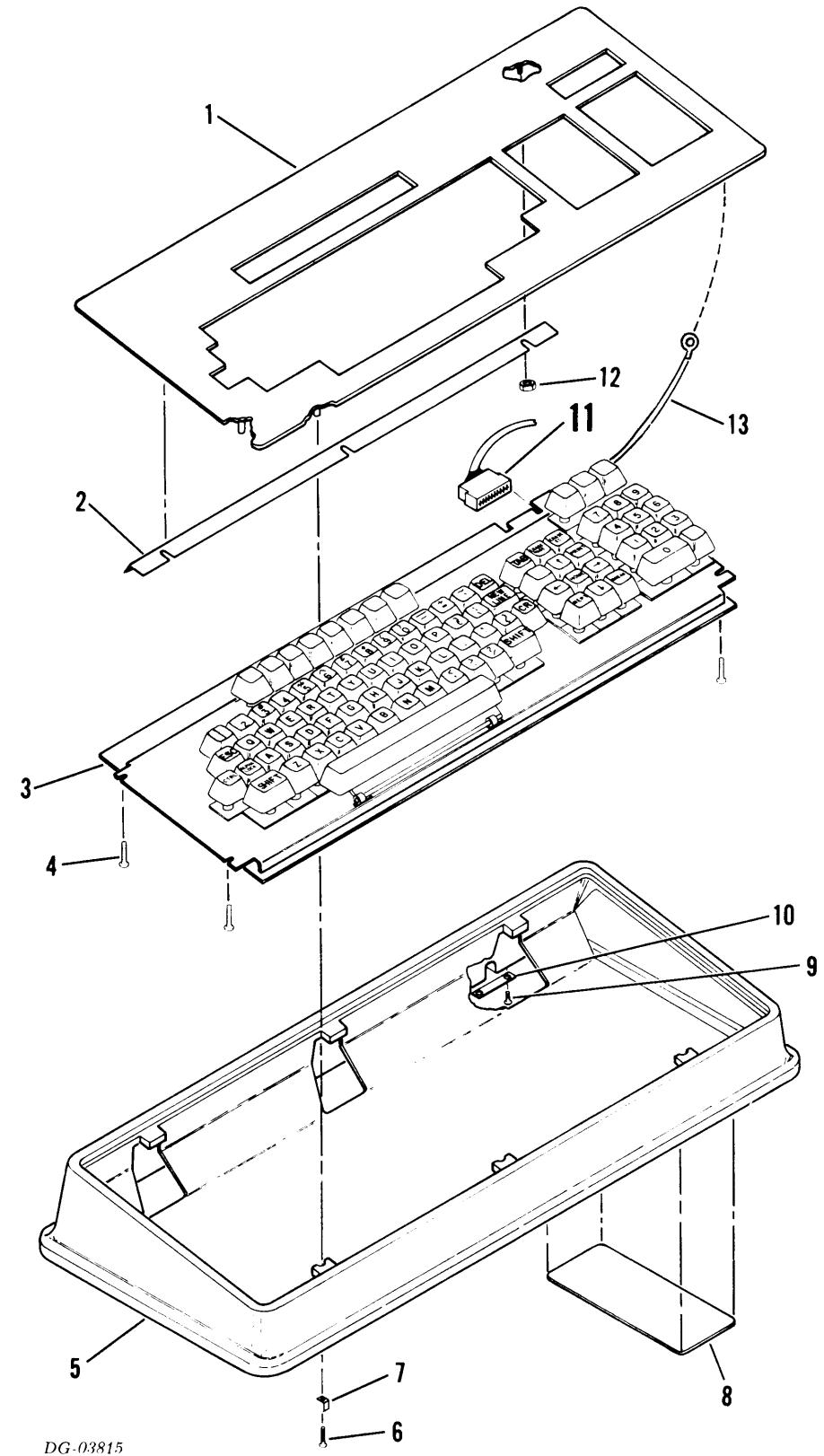
KEYBOARD/COVER ASSEMBLY

BASIC KEYBOARD/COVER ASSEMBLY



DG-03814

ENHANCED KEYBOARD/COVER ASSEMBLY



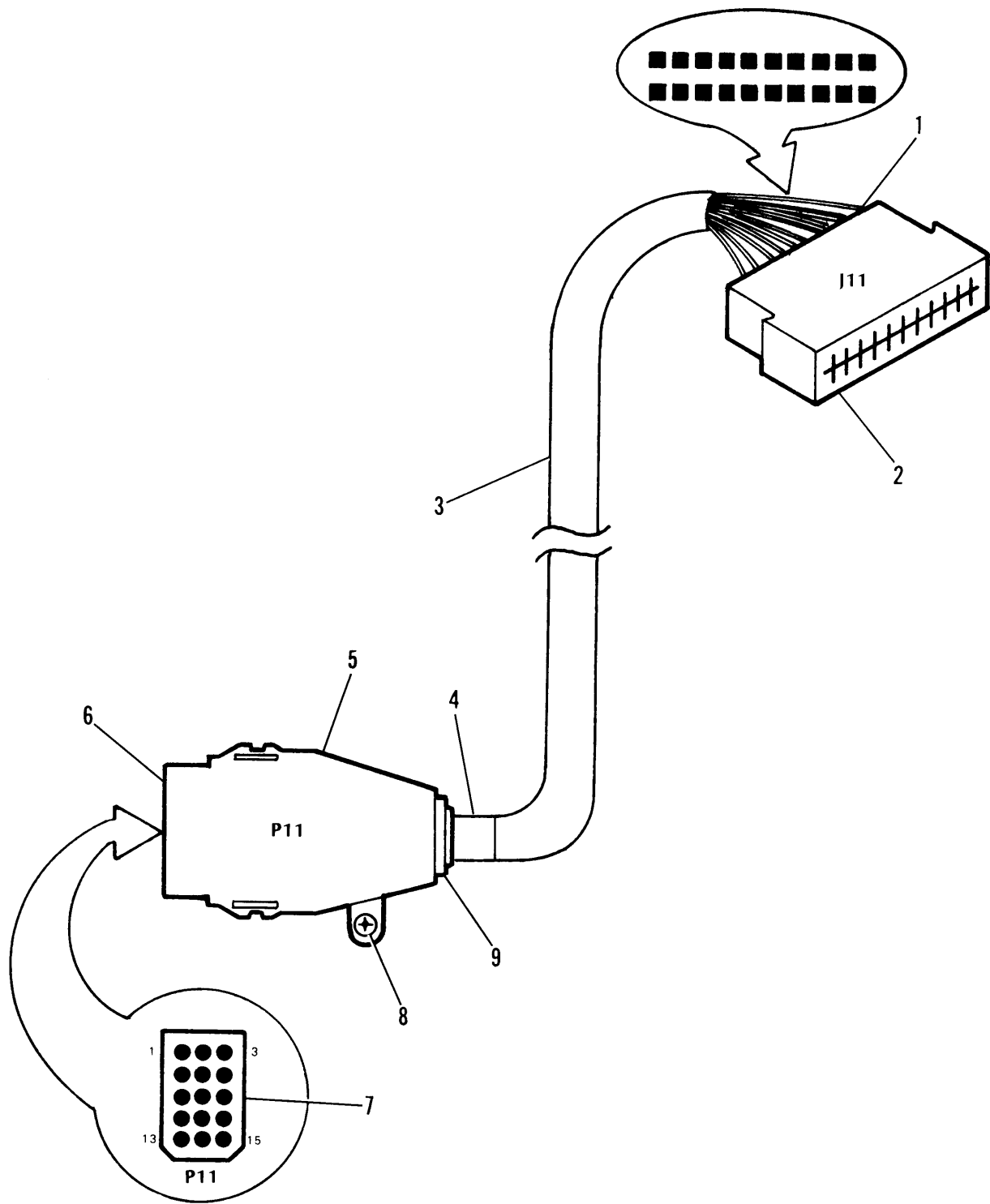
DG-03815

The drawings and specifications contained herein are the property of DGC and shall neither be reproduced in whole or in part without DGC prior written approval nor be implied to grant any license to make, use or sell equipment manufactured in accordance herewith

PAGE & ITEM NO.	DESCRIPTION	QTY	DGC PART NO.	REF PAGE NO.
	KEYBOARD/COVER BSC ASSY		005-006746	I-2
1	MECH PT PLATE KEYBD CVR-000060 KEYBD	1	002-005445	
2	MECH PT KEYBD RTNG CLIP , L/C CRT TERM	1	002-005447	
3	PUR ASSY KEYBOARD, DSPL TERM	1	118-000452	
4	HDW SCR PHH PNH SCDP 6-32 X 3/16	4	106-000479	
5	MECH PT KEYBD ENCL CASE, INTEL TERM	1	002-005116	
6	HDW SCR PHH PNH SCDP 4-40 X 3/16	3	106-000003	
7	MECH PT SLIDE CLIP L/C CRT TERM	3	002-005450	
8	STD PT SPRT PAD, NEO PRN ADHV BACK	2	123-001025	
9	HDW SCR PHH PNH PLASTITE SCDP NO 4 X 1/2	2	106-000852	
10	MECH PT CABLE CLAMP KEYBD LCD	1	002-005601	
11	ASSY CA EXT KEYBD TO CRT L/C DSPL	1	005-006750	III-18
12	HDW NUT HEX KEP SCDP 4-40	3	106-000257	
13	GROUND WIRE	1	029-002646	
	WIRE	5"	109-000011	
	TERM	1	111-000264	
	KEYBOARD/COVER T.E. ASSY		005-006743	I-2
1	MECH PT PLATE KEYBD CVR-000061 KEYBD	1	002-005443	
2	MECH PT KEYBD RTNG CLIP , L/C CRT TERM	1	002-005447	
3	PUR ASSY KEYBOARD, DSPL TERM	1	118-000338	
4	HDW SCR PHH PNH SCDP 6-32 X 3/16	4	106-000479	
5	MECH PT KEYBD ENCL CASE, INTEL TERM	1	002-005116	
6	HDW SCR PHH PNH SCDP 4-40 X 3/16	3	106-000003	
7	MECH PT SLIDE CLIP L/C CRT TERM	3	002-005450	
8	STD PT SPRT PAD, NED PRN ADHV BACK	2	123-001025	
9	HDW SCR PHH PNH PLASTITE SCDP NO 4 X 1/2	2	106-000852	
10	MECH PT CABLE CLAMP KEYBD LCD	1	002-005601	
11	ASSY CA EXT KEYBD TO CRT L/C DSPL	1	005-006750	III-18
12	HDW NUT HEX KEP SCDP 4-40	3	106-000257	
13	GROUND WIRE	1	029-002646	
	WIRE	5"	109-000011	
	TERM	1	111-000264	

The drawings and specifications contained herein are the property of DGC and shall neither be reproduced in whole or in part without DGC prior written approval nor be implied to grant any license to make, use or sell equipment manufactured in accordance herewith.

EXTERNAL CABLE KEYBOARD TO MAIN



DG-03816

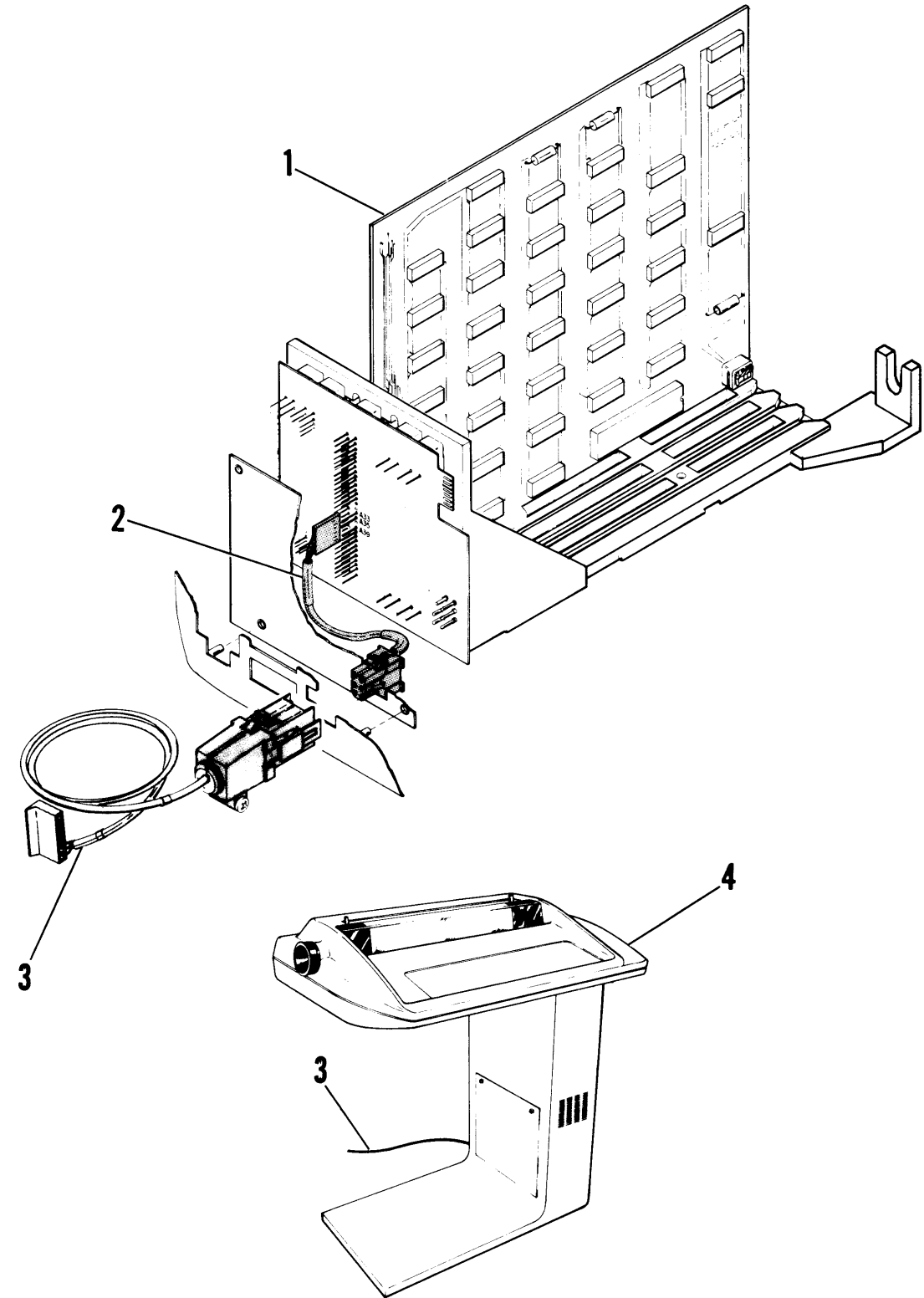
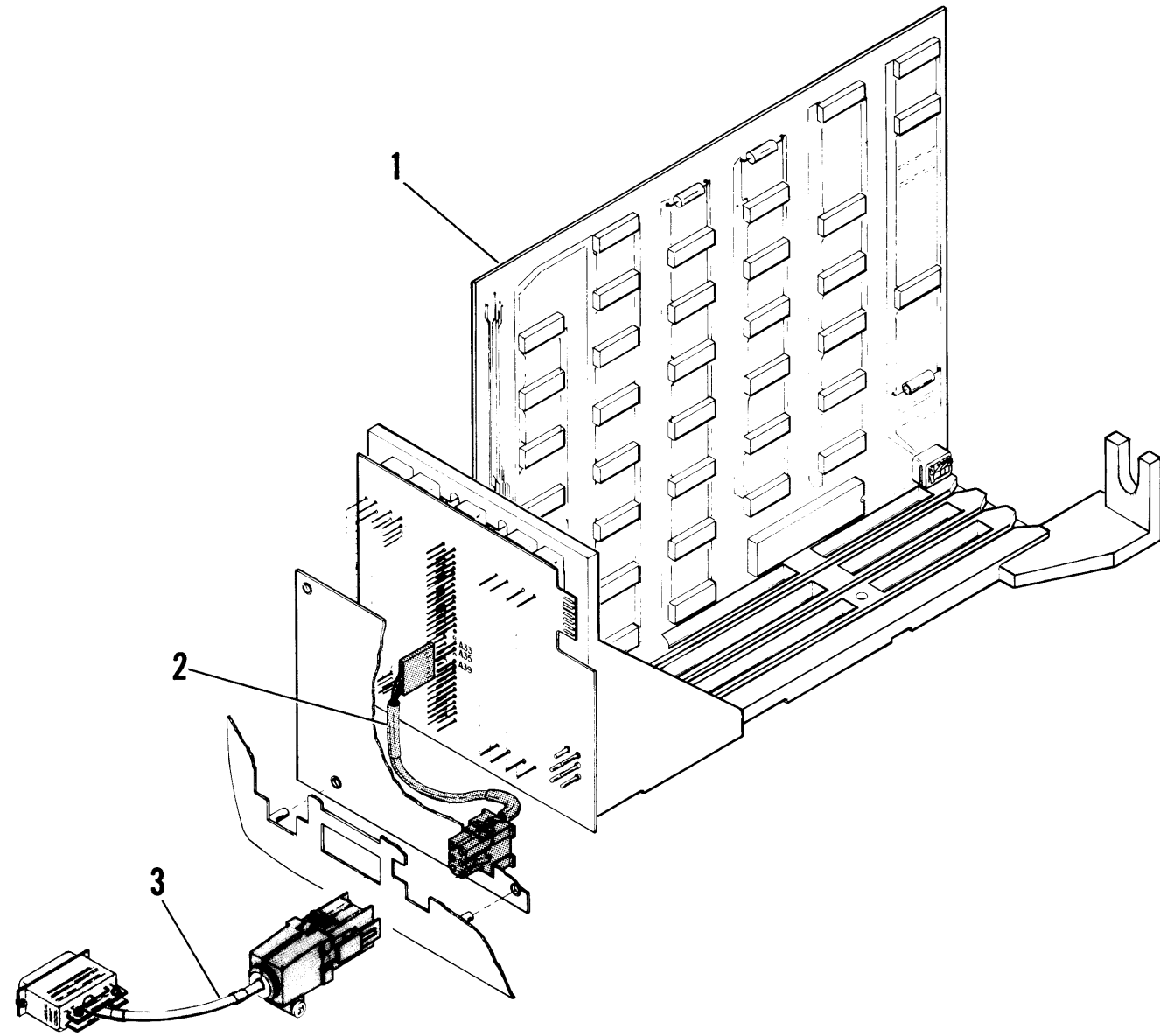
The drawings and specifications contained herein are the property of DGC and shall neither be reproduced in whole or in part without DGC prior written approval nor be implied to grant any license to make, use or sell equipment manufactured in accordance herewith.

PAGE & ITEM NO.	DESCRIPTION	QTY	DGC PART NO.	REF PAGE NO.
III-18	EXT CABLE KEYBD TO MAIN	1	005-006750	III-16,22
1	CONN CONTACT TWIN LEAF AMP 583616	15	111-000115	
2	CONN PC EDGE 10 DUAL POS AMP 583717-1	1	111-000119	
	CONN KEY AMP 583274	1	111-000116	
	CONN SPR RTNG AMP 583691-3	5	111-000123	
3	CABLE 24 AWG 19 COND 7 X 32	1	109-000045	
4	TUBING 1/2 DIA HEAT SHRINK BLK	1	109-000061	
5	CONN HOOD STRN RLF 1-350523-9 AMP	1	111-000788	
6	CONN MR SKT CON 26-18 GLD AMP 350037-2	15	111-000237	
7	CONN MR HSG AMP NO 1-35024409 15SKT	1	111-000260	
8	HDW SCREW PHH PNH TF BLK 6-32 X 3/8	1	106-000909	
9	CONN STRN RLF GROMMET 1-350 380-1AMP	1	111-000790	

The drawings and specifications contained herein are the property of DGC and shall neither be reproduced in whole or in part without DGC prior written approval nor be implied to grant any license to make, use or sell equipment manufactured in accordance herewith.

PRINTER OPTION 6054

PRINTER OPTION 6055

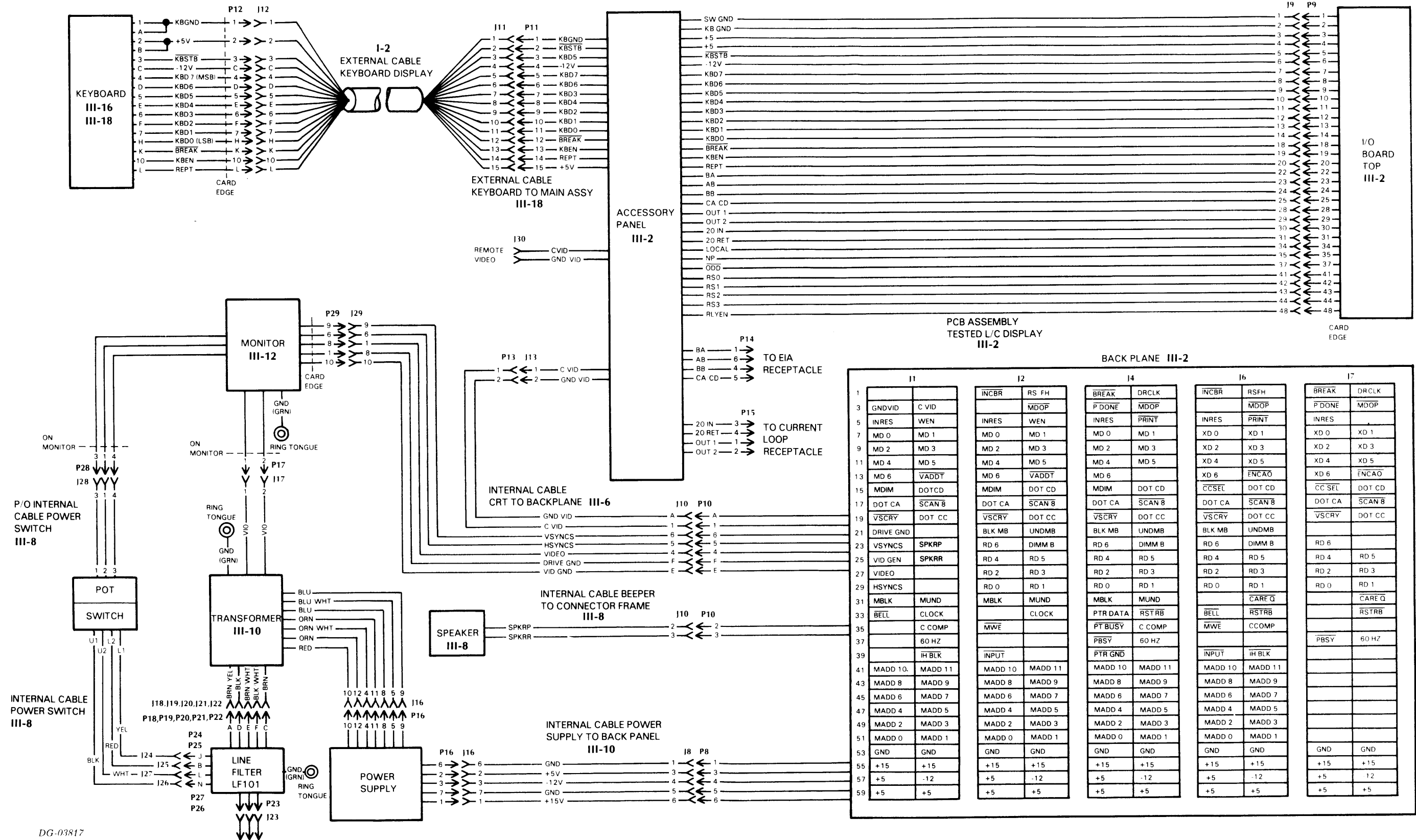


The drawings and specifications contained herein are the property of DGC and shall neither be reproduced in whole or in part without DGC prior written approval nor be implied to grant any license to make, use or sell equipment manufactured in accordance herewith.

PAGE & ITEM NO.	DESCRIPTION	QTY	DGC PART NO.	REF PAGE NO.
III-20	PRINTER OPTION MODEL 6054			I-5-8
1	PCB PRINTER OPTION IPL PRT INTFC	REF	005-008434 016-000440	
2	INTERNAL CABLE ASSEMBLY WIRE TERMINATION WIRE TERMINATION WIRE TERMINATION SLEEVING 3/16" HEAT SHRINK CONN KEY AMP 86286-1 CONN SKT MSG 6 CKT MR AMP #1-480613-9 CONN 6P MOD IV 86427-9	1 1 1 1 3 1 1	005-008432 029-002647 029-002648 029-002649 109-000099 111-000148 111-000580 111-000693	
3	EXTERNAL MODEM CABLE ASSEMBLY HDW SCR PHH PNH TF BLK OXD 6-32 X 3/8 CABLE 22 AWG 6-COND 7 X 32 TUBING 3/8 DIAHEAT SHRINK RED CONN JUNCTION SHELL D824659 CONN SCREW LOCK ASSY FEMALE D204018-2 CONN FEMALE/D110238-35 CONN 25 CONT SKT D8C255 W/O PINS CONN HSG 6 CKT PIN AMP #1-4806 12-9 TERM PIN 26-18 AWG CRIMP MR 350018-3 CONN HOOD CA STRN RLF 1-350373-9 AMP CONN STRN RLF GROMMET 1-350377-D AMP	1 8" 4" 1 2 3 1 1 3 1 1	005-009062 106-000909 109-000086 109-000071 111-000020 111-000022 111-000145 111-000334 111-000581 111-000627 111-000789 111-000791	
III-20	PRINTER OPTION MODEL 6055			I-5-8
1	PCB PRINTER OPTION IPL PTR INTFC	REF	005-008434 016-000440	
2	INTERNAL CABLE ASSEMBLY WIRE TERMINATION WIRE TERMINATION WIRE TERMINATION SLEEVING 3/16" HEAT SHRINK CONN KEY AMP 86386-1 CONN SKT MSG 6 CKT MR AMP #1-480613-9 CONN 6P MOD IV 86427-9	1 1 1 1 3 1 1	005-008432 029-002647 029-002648 029-002649 109-000099 111-000148 111-000580 111-000693	
3	EXTERNAL CABLE ASSEMBLY HDW SCR PHH PNH TF BLK OXD 6-32 X 3/8 CABLE 22 AWG 6-COND 7 X 32 SLEEVING 3/16";HEAT SHRINK CONN PCB MOLEX 09-50-3061 TERM 2478 18-24 AWG MOLEX 08-50-0105 CONN HSG 6 CKT PIN AMP #1-480612-9 TERM PIN 26-18 AWG CRIMP MR 350018-3 CONN HOOD CA STRN RLF 1-350373-9 AMP CONN STRN RF GROMMET 1-350377-0 AMP	1 1 1 1 3 1 1 3 1 1	005-008433 106-000909 109-000086 109-000099 111-000565 111-000578 111-000581 111-000627 111-000789 111-000791	
4	DASHER MODEL 6041		005-007880	

The drawings and specifications contained herein are the property of DGC and shall neither be reproduced in whole or in part without DGC prior written approval nor be implied to grant any license to make, use or sell equipment manufactured in accordance herewith.

INTERCONNECTION DIAGRAM



DG-03817

APPENDIX A

PREFIX CODE TABLE

PREFIX CODES	STANDARD TITLING	PREFIX CODES	STANDARD TITLING
002	MECH PT (MECHANICAL PART)	108	PUR TEST SPEC (TEST SPEC, PURCHASED PARTS)
005	ASSY (ASSEMBLY B/M PARTS LIST) ASSY DOC PKG (SHIPPED DOCUMENTS)	109	WIRE, CABLE, TUBING, SLEEVING
007	KEY (TOP ASSEMBLY B/M)	110	SWITCH, RELAY
008	WL (WIRE LIST FOR CABLES, TEST PLUGS AND INTERCONNECTION WIRING)	111	HSG (HOUSING), CONN (CONNECTOR), TERM (TERMINAL)
010	CONF (CONFIGURATION DRAWING)	112	CABINET
011	TEST EQPT (TEST EQUIPMENT)	113	FUSE, FUHLR (FUSE HOLDER)
015	TM (TECHNICAL MANUAL)	113	CIR BKR (CIRCUIT BREAKER)
016	IPL (ILLUSTRATED PARTS LIST)	114	INDICATOR, BULB
029	WIRE PT (WIRE PART)	115	FAN, MOTOR, BLOWER
036	ECO KIT	116	CM (CIRCUIT MODULES)
037	PKG (PACKAGING)	117	SPEC TOOLS
042	TECHNICAL UPDATES	118	PUR ASSY (PURCHASED ASSEMBLY)
043	FIELD ENGINEERING PUBLICATIONS	118	PUR PRPHL (PURCHASED PERIPHERALS)
044	SHIPPING PACKAGING	119	MISC PT (MISCELLANEOUS PART)
100	IC (INTEGRATED CIRCUIT)	120	ADHVE (ADHESIVE), TAPE
101	XISTOR (TRANSISTORS), DIODES	120	CHEM (CHEMICALS)
102	RES (RESISTORS)	121	CRYSTAL
103	CAP (CAPACITORS)	123	STD PT (STANDARD PART)
104	XFMR (TRANSFORMER)	124	SOLENOIDS
105	CORE FERRITE	126	METAL STOCK
106	HDW (HARDWARE)	128	TOOL
		129	SHPG MAT (SHIPPING MATERIAL)

DG-03906

The drawings and specifications contained herein are the property of DGC and shall neither be reproduced in whole or in part without DGC prior written approval nor be implied to grant any license to make, use or sell equipment manufactured in accordance herewith.

This page intentionally left blank.

Engineering Publications Comment Form

Please help us improve our future publications by answering the questions below. Use the space provided for your comments.

Title: _____

Document No. _____

Yes	No		
<input type="checkbox"/>	<input type="checkbox"/>	Is this manual easy to read?	<input type="radio"/> You (can, cannot) find things easily. <input type="radio"/> Other: <input type="radio"/> Language (is, is not) appropriate. <input type="radio"/> Technical terms (are, are not) defined as needed.
<input type="checkbox"/>	<input type="checkbox"/>	In what ways do you find this manual useful?	<input type="radio"/> Learning to use the equipment <input type="radio"/> To instruct a class. <input type="radio"/> As a reference <input type="radio"/> Other: <input type="radio"/> As an introduction to the product
<input type="checkbox"/>	<input type="checkbox"/>	Do the illustrations help you?	<input type="radio"/> Visuals (are, are not) well designed. <input type="radio"/> Labels and captions (are, are not) clear. <input type="radio"/> Other:
<input type="checkbox"/>	<input type="checkbox"/>	Does the manual tell you all you need to know? What additional information would you like?	
<input type="checkbox"/>	<input type="checkbox"/>	Is the information accurate? (If not please specify with page number and paragraph.)	

Name: _____ Title: _____

Company: _____ Division: _____

Address: _____ City: _____

State: _____ Zip: _____ Telephone: _____ Date: _____

FOLD

FOLD

STAPLE

STAPLE

FOLD

FOLD

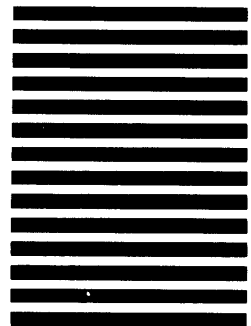


NO POSTAGE
NECESSARY
IF MAILED
IN THE
UNITED STATES

BUSINESS REPLY MAIL
FIRST CLASS PERMIT NO. 26 SOUTHBORO, MA. 01772

Postage will be paid by addressee.

 **Data General**
ATTN: ENGINEERING PUBLICATIONS
Southboro, Massachusetts 01772



Data General

USERS group

Installation Membership Form

Name _____ Position _____ Date _____

Company, Organization or School _____

Address _____ City _____ State _____ Zip _____

Telephone: Area Code _____ No. _____ Ext. _____

1. Account Category

OEM
 End User
 System House
 Government

5. Mode of Operation

Batch (Central)
 Batch (Via RJE)
 On-Line Interactive

2. Hardware

	Qty. Installed	Qty. On Order
M/600	_____	_____
C/350, C/330, C/300	_____	_____
S/250, S/230, S/200	_____	_____
S/130	_____	_____
AP/130	_____	_____
CS Series	_____	_____
N3/D	_____	_____
Other NOVA	_____	_____
microNOVA	_____	_____
Other (Specify) _____	_____	_____

6. Communications

RSTCP CAM
 HASP 4025
 RJE80 Other
 SAM

Specify _____

3. Software

AOS RDOS
 DOS RTOS
 SOS Other

Specify _____

7. Application Description

○ _____

4. Languages

Algol Assembler
 DG/L Interactive
 Cobol Fortran
 ECLIPSE Cobol RPG II
 Business BASIC PL/1
 BASIC Other

Specify _____

8. Purchase

From whom was your machine(s) purchased?

Data General Corp.
 Other
 Specify _____

9. Users Group

Are you interested in joining a special interest or regional Data General Users Group?

○ _____

FOLD

FOLD

STAPLE

STAPLE

FOLD

FOLD



BUSINESS REPLY MAIL
FIRST CLASS PERMIT NO. 26 SOUTHBORO, MA. 01772

Postage will be paid by addressee:

 **Data General**

ATTN: Users Group Coordinator

Southboro, Massachusetts 01772

NO POSTAGE
NECESSARY
IF MAILED
IN THE
UNITED STATES

