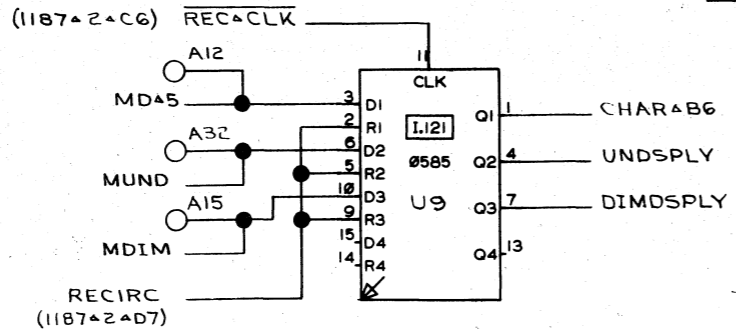
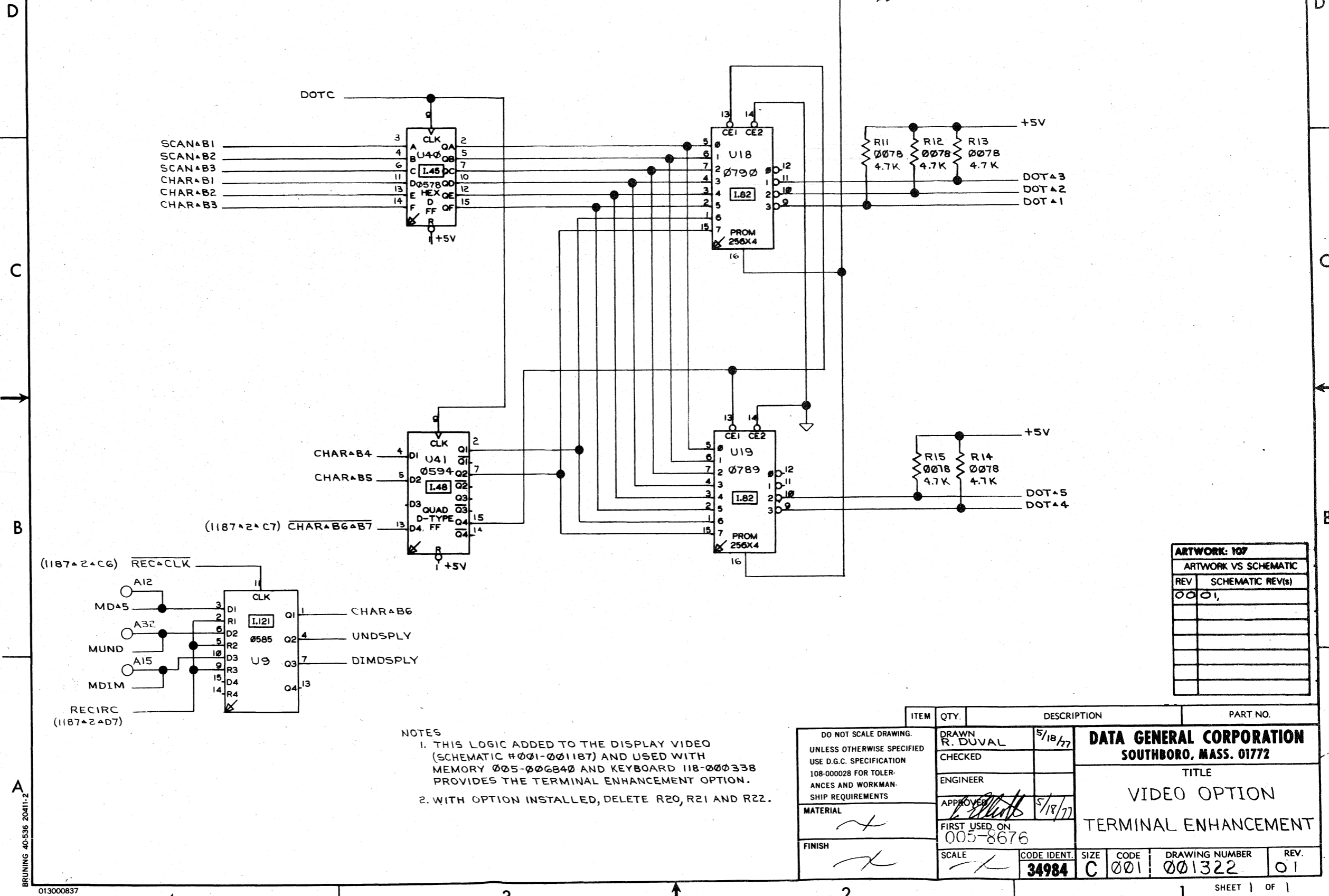


THIS DRAWING AND SPECIFICATIONS, HEREIN, ARE THE PROPERTY OF DATA GENERAL CORPORATION AND SHALL NOT BE REPRODUCED OR COPIED OR USED IN WHOLE OR IN PART AS THE BASIS FOR MANUFACTURE OR SALE OF ITEMS WITHOUT WRITTEN PERMISSION.

REVISIONS				
REV.	DESCRIPTION	DRFTG.	APP. BY	DATE
00	Release Per ECO 6248	-	-	6/23/77
01	PER ECO 6713	DUVAL	KE	10-20-77



- NOTES
1. THIS LOGIC ADDED TO THE DISPLAY VIDEO (SCHEMATIC #001-001187) AND USED WITH MEMORY 005-006840 AND KEYBOARD 118-000338 PROVIDES THE TERMINAL ENHANCEMENT OPTION.
 2. WITH OPTION INSTALLED, DELETE R20, R21 AND R22.

ARTWORK: 107	
ARTWORK VS SCHEMATIC	
REV	SCHEMATIC REV(S)
00	01

ITEM	QTY.	DESCRIPTION	PART NO.
DO NOT SCALE DRAWING. UNLESS OTHERWISE SPECIFIED USE D.G.C. SPECIFICATION 108-000028 FOR TOLERANCES AND WORKMANSHIP REQUIREMENTS			
DRAWN R. DUVAL		5/18/77	DATA GENERAL CORPORATION SOUTHBORO, MASS. 01772
CHECKED			
ENGINEER			TITLE
APPROVED		5/18/77	VIDEO OPTION
FIRST USED ON		005-8676	TERMINAL ENHANCEMENT
MATERIAL			
FINISH			
SCALE	CODE IDENT.	SIZE	CODE
	34984	C	001
DRAWING NUMBER		REV.	
001322		01	

BRUNING 40-536 20411-2

013000837