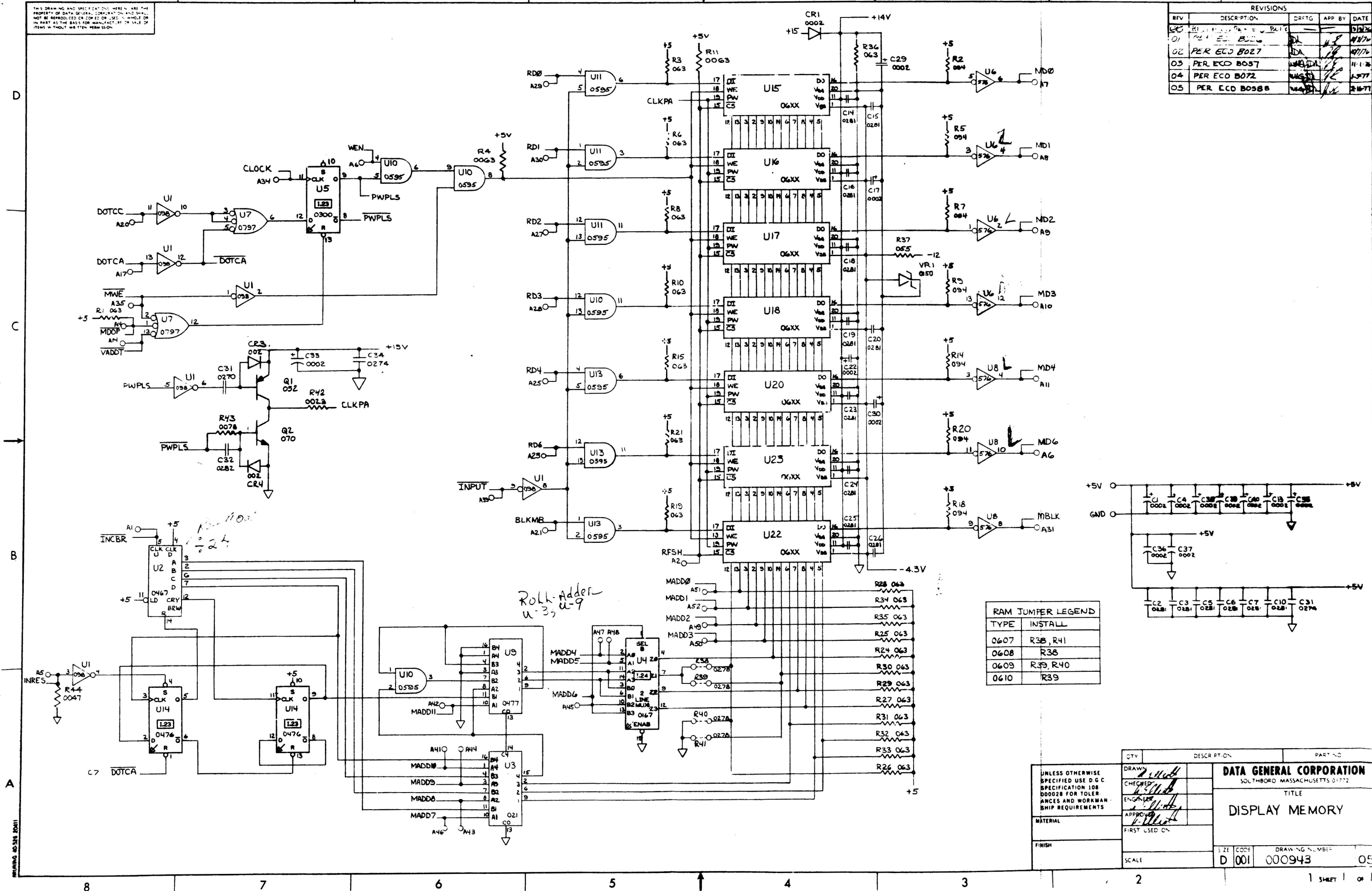


THIS DRAWING AND SPECIFICATIONS HEREIN ARE THE PROPERTY OF DATA GENERAL CORPORATION AND SHALL NOT BE REPRODUCED OR COPIED OR USED IN WHOLE OR IN PART AS THE BASIS FOR MANUFACTURE OF ANY ITEM WITHOUT WRITTEN PERMISSION.

REVISIONS				
REV	DESCRIPTION	DRFTG	APP BY	DATE
00	REVISED PER ECO B026	DA	DA	11/17/76
01	PER ECO B027	DA	DA	11/17/76
02	PER ECO B027	DA	DA	11-17-76
03	PER ECO B027	DA	DA	11-17-76
04	PER ECO B072	DA	DA	1-27-77
05	PER ECO B0588	DA	DA	2-16-77



TYPE	INSTALL
0607	R38, R41
0608	R38
0609	R39, R40
0610	R39

UNLESS OTHERWISE SPECIFIED USE D.G.C. SPECIFICATION 108-00028 FOR TOLERANCES AND WORKMANSHIP REQUIREMENTS		DATA GENERAL CORPORATION SOUTHBORO, MASSACHUSETTS 01772	
DRAWN	Checked	TITLE DISPLAY MEMORY	
CHECKED	Approved		
ENGINEER	Approved	DRAWING NUMBER D 001 000943	
MATERIAL	FIRST USED ON	SCALE	
FINISH		SHEET CODE D 001	

DRAWING NO. 348 20411