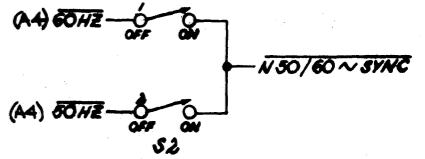


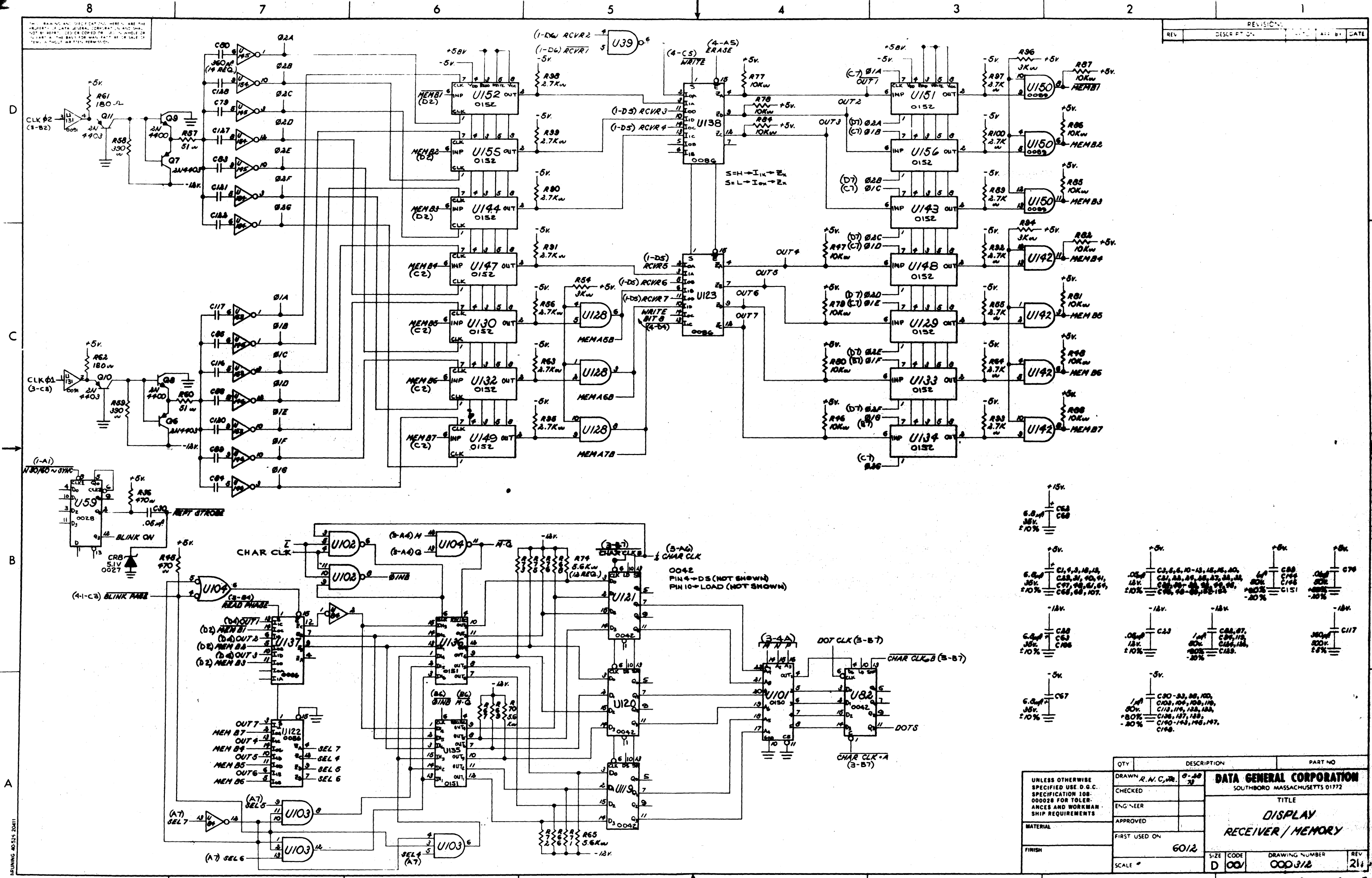
REVISIONS				
REV	DESCRIPTION	CHG	APP BY	DATE
01	ECO-1961		R.W.C.	3-8
02	ECO-2156		R.W.C.	4-23
03	ECO# 2574		R.W.C.	5-23
04	ECO# 2797		RAS	6-24
05	ECO# 2888		RAS	7-24
06	ECO# 2917		RAS	7-24
07	ECO# 2885		RAS	7-24
08	ECO# 2962		RAS	7-24
09	ECO# 3203		RW	1-15
10	ECO# 3077A		RW	3-3
11	ECO# 3419		RW	4-26
12	ECO# 3495		RW	6-25
13	ECO# 3609		RW	6-25
14	ECO# 3505		RW	7-25
15	ECO# 3716		RW	7-25
16	ECO# 3462		RAS	8-25
17	ECO# 3703		RW	1-15
18	ECO# 4855		RW	2-28
19	ECO# 4790		RW	7-27
20	ECO# 5728		RW	2-77
21	ECO# 5932		RW	4-77

ARTWORK NO. 000017		ARTWORK NO. 000017	
REV	SCHEMATIC REV	REV	SCHEMATIC REV
08	08	01	00 (FIRST REV)
09		02	01 ECO# 1961
17	10, 11, 12, 13, 14, 15, 16, 17, 18, 19, 20, 21	03	02 ECO# 2574
21	19, 20, 21	04	03
		05	04
		06	05
		07	06
		08	07
		09	08
		10	09
		11	10
		12	11
		13	12
		14	13
		15	14
		16	15
		17	16
		18	17
		19	18
		20	19
		21	20

NOTE:
 EXAMPLE OF COORDINATE INTERPRETATION:
 (C1) DESCRIBES COORDINATE ON SAME PAGE OF SAME DRAWING.
 (2-C3) DESCRIBES COORDINATE ON PAGE 2 OF SAME DRAWING.
 (4-1-C3) DESCRIBES COORDINATE ON PAGE 1 OF DRAWING 001-000454. (FIRST NUMBER OF COORDINATE IS LAST NUMBER OF ANOTHER DRAWING INVOLVED.)

UNLESS OTHERWISE SPECIFIED USE D.G.C. SPECIFICATION 108-00008 FOR TOLERANCES AND WORKMANSHIP REQUIREMENTS		DATA GENERAL CORPORATION	
SOUTHBORO, MASSACHUSETTS 01772		TITLE	
DRAWN R.W.C. DR. 8-91		RECEIVER/MEMORY	
CHECKED R.F.J. 6-11		DRAWING NUMBER 000312	
ENGINEER [Signature] 1/77		REV 21	
APPROVED [Signature]		SIZE CODE D 001	
FIRST USED ON .6012		DRAWING NUMBER 000312	
SCALE		REV 21	

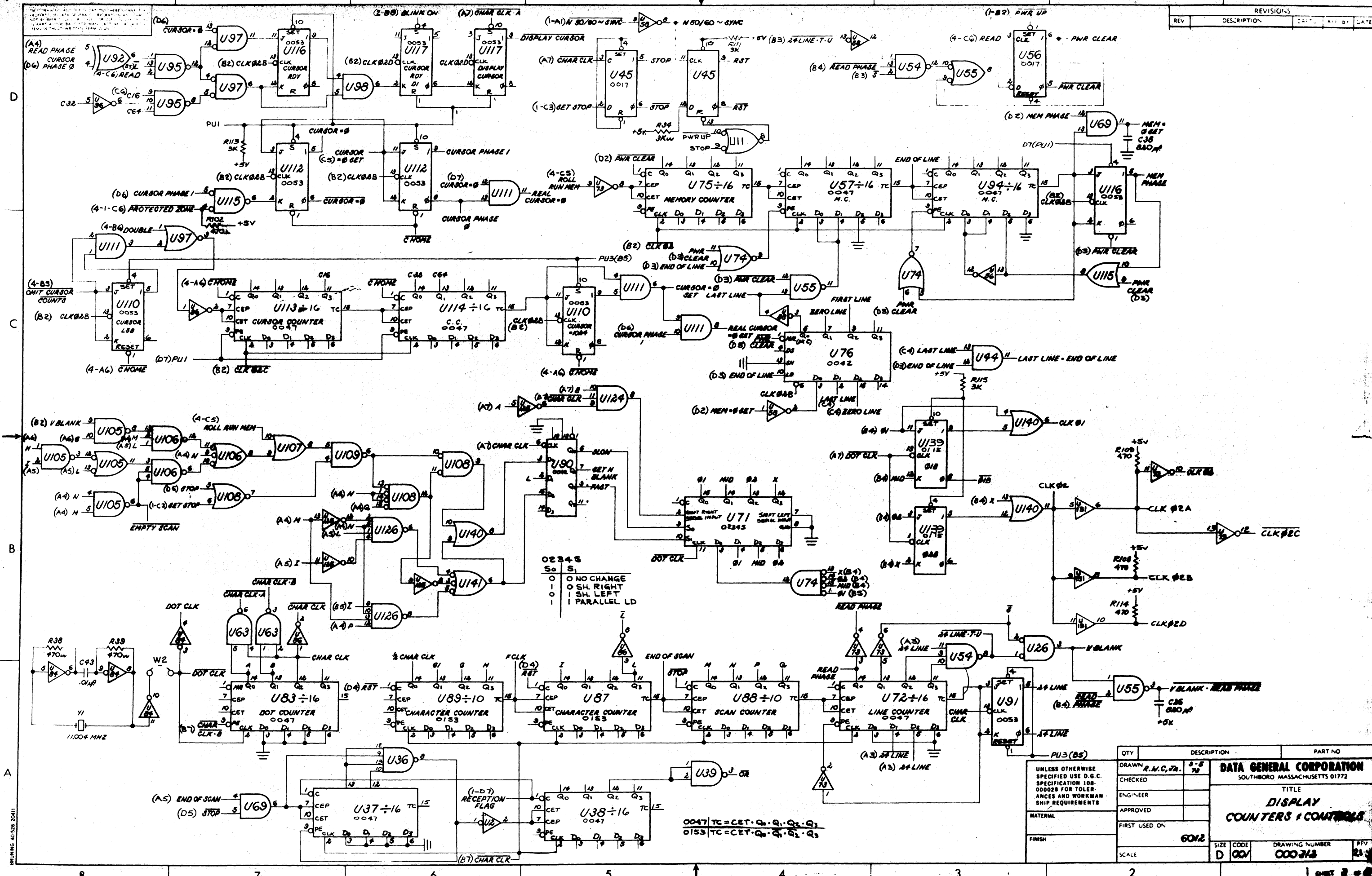




- 6.8MΩ ±10% C52, C58
- 6.8MΩ ±10% C53, C59
- 6.8MΩ ±10% C54, C60
- 6.8MΩ ±10% C55, C61
- 6.8MΩ ±10% C56, C62
- 6.8MΩ ±10% C57, C63
- 6.8MΩ ±10% C58, C64
- 6.8MΩ ±10% C59, C65
- 6.8MΩ ±10% C60, C66
- 6.8MΩ ±10% C61, C67
- 6.8MΩ ±10% C62, C68
- 6.8MΩ ±10% C63, C69
- 6.8MΩ ±10% C64, C70
- 6.8MΩ ±10% C65, C71
- 6.8MΩ ±10% C66, C72
- 6.8MΩ ±10% C67, C73
- 6.8MΩ ±10% C68, C74
- 6.8MΩ ±10% C69, C75
- 6.8MΩ ±10% C70, C76
- 6.8MΩ ±10% C71, C77
- 6.8MΩ ±10% C72, C78
- 6.8MΩ ±10% C73, C79
- 6.8MΩ ±10% C74, C80
- 6.8MΩ ±10% C75, C81
- 6.8MΩ ±10% C76, C82
- 6.8MΩ ±10% C77, C83
- 6.8MΩ ±10% C78, C84
- 6.8MΩ ±10% C79, C85
- 6.8MΩ ±10% C80, C86
- 6.8MΩ ±10% C81, C87
- 6.8MΩ ±10% C82, C88
- 6.8MΩ ±10% C83, C89
- 6.8MΩ ±10% C84, C90
- 6.8MΩ ±10% C85, C91
- 6.8MΩ ±10% C86, C92
- 6.8MΩ ±10% C87, C93
- 6.8MΩ ±10% C88, C94
- 6.8MΩ ±10% C89, C95
- 6.8MΩ ±10% C90, C96
- 6.8MΩ ±10% C91, C97
- 6.8MΩ ±10% C92, C98
- 6.8MΩ ±10% C93, C99
- 6.8MΩ ±10% C94, C100
- 6.8MΩ ±10% C95, C101
- 6.8MΩ ±10% C96, C102
- 6.8MΩ ±10% C97, C103
- 6.8MΩ ±10% C98, C104
- 6.8MΩ ±10% C99, C105
- 6.8MΩ ±10% C100, C106
- 6.8MΩ ±10% C101, C107
- 6.8MΩ ±10% C102, C108
- 6.8MΩ ±10% C103, C109
- 6.8MΩ ±10% C104, C110
- 6.8MΩ ±10% C105, C111
- 6.8MΩ ±10% C106, C112
- 6.8MΩ ±10% C107, C113
- 6.8MΩ ±10% C108, C114
- 6.8MΩ ±10% C109, C115
- 6.8MΩ ±10% C110, C116
- 6.8MΩ ±10% C111, C117
- 6.8MΩ ±10% C112, C118
- 6.8MΩ ±10% C113, C119
- 6.8MΩ ±10% C114, C120
- 6.8MΩ ±10% C115, C121
- 6.8MΩ ±10% C116, C122
- 6.8MΩ ±10% C117, C123
- 6.8MΩ ±10% C118, C124
- 6.8MΩ ±10% C119, C125
- 6.8MΩ ±10% C120, C126
- 6.8MΩ ±10% C121, C127
- 6.8MΩ ±10% C122, C128
- 6.8MΩ ±10% C123, C129
- 6.8MΩ ±10% C124, C130
- 6.8MΩ ±10% C125, C131
- 6.8MΩ ±10% C126, C132
- 6.8MΩ ±10% C127, C133
- 6.8MΩ ±10% C128, C134
- 6.8MΩ ±10% C129, C135
- 6.8MΩ ±10% C130, C136
- 6.8MΩ ±10% C131, C137
- 6.8MΩ ±10% C132, C138
- 6.8MΩ ±10% C133, C139
- 6.8MΩ ±10% C134, C140
- 6.8MΩ ±10% C135, C141
- 6.8MΩ ±10% C136, C142
- 6.8MΩ ±10% C137, C143
- 6.8MΩ ±10% C138, C144
- 6.8MΩ ±10% C139, C145
- 6.8MΩ ±10% C140, C146
- 6.8MΩ ±10% C141, C147
- 6.8MΩ ±10% C142, C148
- 6.8MΩ ±10% C143, C149
- 6.8MΩ ±10% C144, C150
- 6.8MΩ ±10% C145, C151
- 6.8MΩ ±10% C146, C152
- 6.8MΩ ±10% C147, C153
- 6.8MΩ ±10% C148, C154
- 6.8MΩ ±10% C149, C155
- 6.8MΩ ±10% C150, C156
- 6.8MΩ ±10% C151, C157
- 6.8MΩ ±10% C152, C158
- 6.8MΩ ±10% C153, C159
- 6.8MΩ ±10% C154, C160
- 6.8MΩ ±10% C155, C161
- 6.8MΩ ±10% C156, C162
- 6.8MΩ ±10% C157, C163
- 6.8MΩ ±10% C158, C164
- 6.8MΩ ±10% C159, C165
- 6.8MΩ ±10% C160, C166
- 6.8MΩ ±10% C161, C167
- 6.8MΩ ±10% C162, C168
- 6.8MΩ ±10% C163, C169
- 6.8MΩ ±10% C164, C170
- 6.8MΩ ±10% C165, C171
- 6.8MΩ ±10% C166, C172
- 6.8MΩ ±10% C167, C173
- 6.8MΩ ±10% C168, C174
- 6.8MΩ ±10% C169, C175
- 6.8MΩ ±10% C170, C176
- 6.8MΩ ±10% C171, C177
- 6.8MΩ ±10% C172, C178
- 6.8MΩ ±10% C173, C179
- 6.8MΩ ±10% C174, C180
- 6.8MΩ ±10% C175, C181
- 6.8MΩ ±10% C176, C182
- 6.8MΩ ±10% C177, C183
- 6.8MΩ ±10% C178, C184
- 6.8MΩ ±10% C179, C185
- 6.8MΩ ±10% C180, C186
- 6.8MΩ ±10% C181, C187
- 6.8MΩ ±10% C182, C188
- 6.8MΩ ±10% C183, C189
- 6.8MΩ ±10% C184, C190
- 6.8MΩ ±10% C185, C191
- 6.8MΩ ±10% C186, C192
- 6.8MΩ ±10% C187, C193
- 6.8MΩ ±10% C188, C194
- 6.8MΩ ±10% C189, C195
- 6.8MΩ ±10% C190, C196
- 6.8MΩ ±10% C191, C197
- 6.8MΩ ±10% C192, C198
- 6.8MΩ ±10% C193, C199
- 6.8MΩ ±10% C194, C200

QTY	DESCRIPTION	PART NO
	UNLESS OTHERWISE SPECIFIED USE D.G.C. SPECIFICATION 100-00028 FOR TOLERANCES AND WORKMANSHIP REQUIREMENTS	
	DRAWN R.A.C. 08-28-72	
	CHECKED	
	ENGINEER	
	APPROVED	
	FIRST USED ON	
	6012	
	SCALE	
	SIZE CODE	
	D 00/	
	DRAWING NUMBER	
	000312	
	REV	
	21	

BRIMING 40-524 20411



REVISIONS	
REV	DESCRIPTION

QTY	DESCRIPTION	PART NO

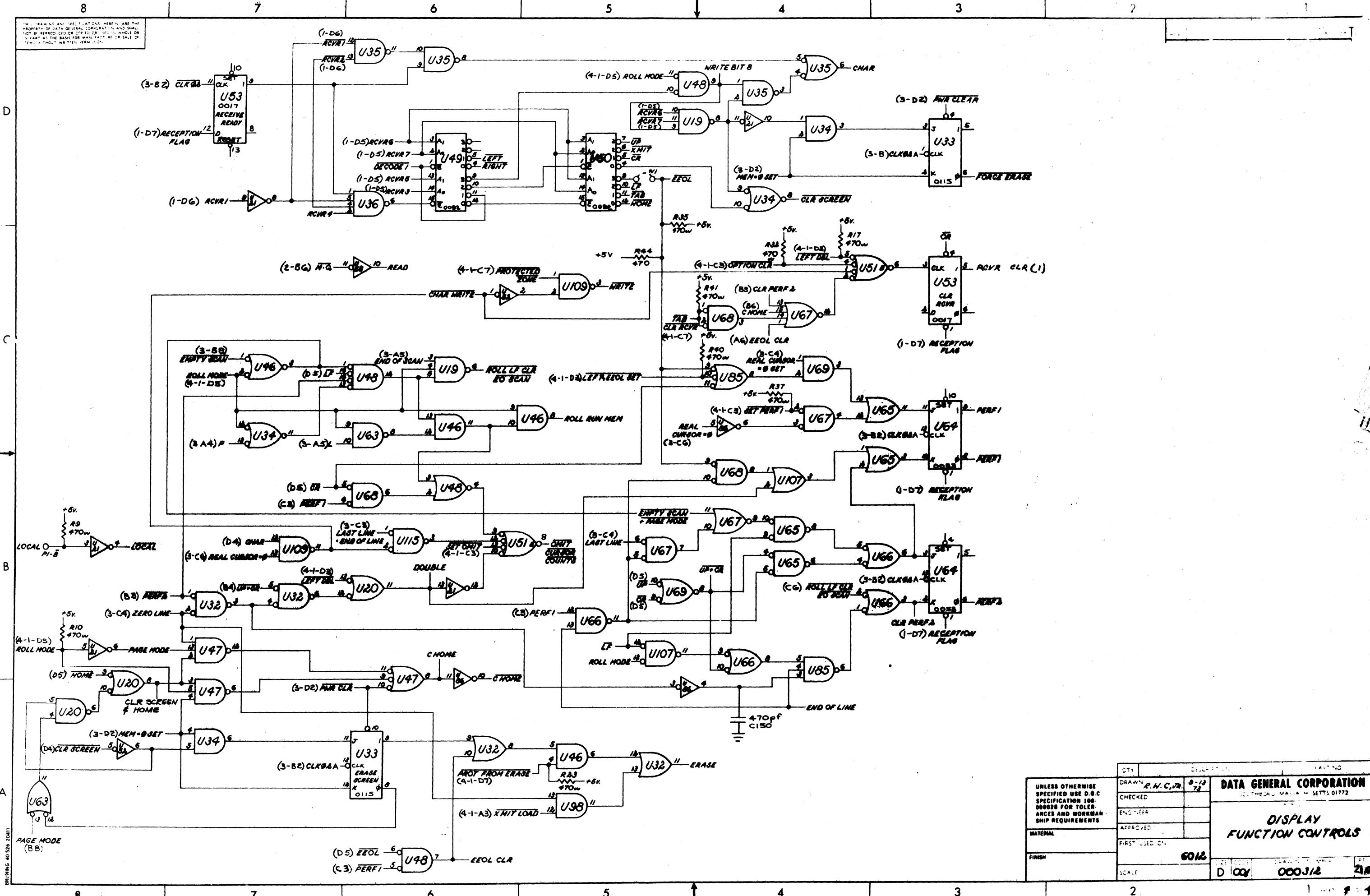
UNLESS OTHERWISE SPECIFIED USE D.G.C. SPECIFICATION 108-00028 FOR TOLERANCES AND WORKMANSHIP REQUIREMENTS

DRAWN	R.M.C. 72
CHECKED	
ENGINEER	
APPROVED	
FIRST USED ON	
SCALE	60/2

DATA GENERAL CORPORATION	
SOUTHBORO MASSACHUSETTS 01772	
TITLE	
DISPLAY	
COUNTERS & CONTROLS	
SIZE	CODE
D	001
DRAWING NUMBER	0003/3
REV	21

$$0047 \text{ TC} = \text{CET} \cdot Q_1 \cdot Q_2 \cdot Q_3$$
$$0153 \text{ TC} = \text{CET} \cdot Q_0 \cdot Q_1 \cdot Q_2 \cdot Q_3$$

BRUNING 40-528 20411



THE DRAWING AND SPECIFICATIONS HEREIN ARE THE PROPERTY OF DATA GENERAL CORPORATION AND SHALL NOT BE REPRODUCED OR COPIED OR IN WHOLE OR IN PART AS THE BASIS FOR ANY PART OR SALE OF ANY PRODUCT WITHOUT PERMISSION.

BRUNING 40 526 20411

UNLESS OTHERWISE SPECIFIED USE D.G.C. SPECIFICATION 100-000028 FOR TOLERANCES AND WORKMANSHIP REQUIREMENTS		DTY	REVISION	DATE
MATERIAL	FINISH	DRAWN	CHECKED	ENGINEER
				APPROVED
		FIRST USED ON	SCALE	
		6012		
		D	003	000312
				218
DATA GENERAL CORPORATION SOLTCEN MA SA - SETTS 01772 DISPLAY FUNCTION CONTROLS				