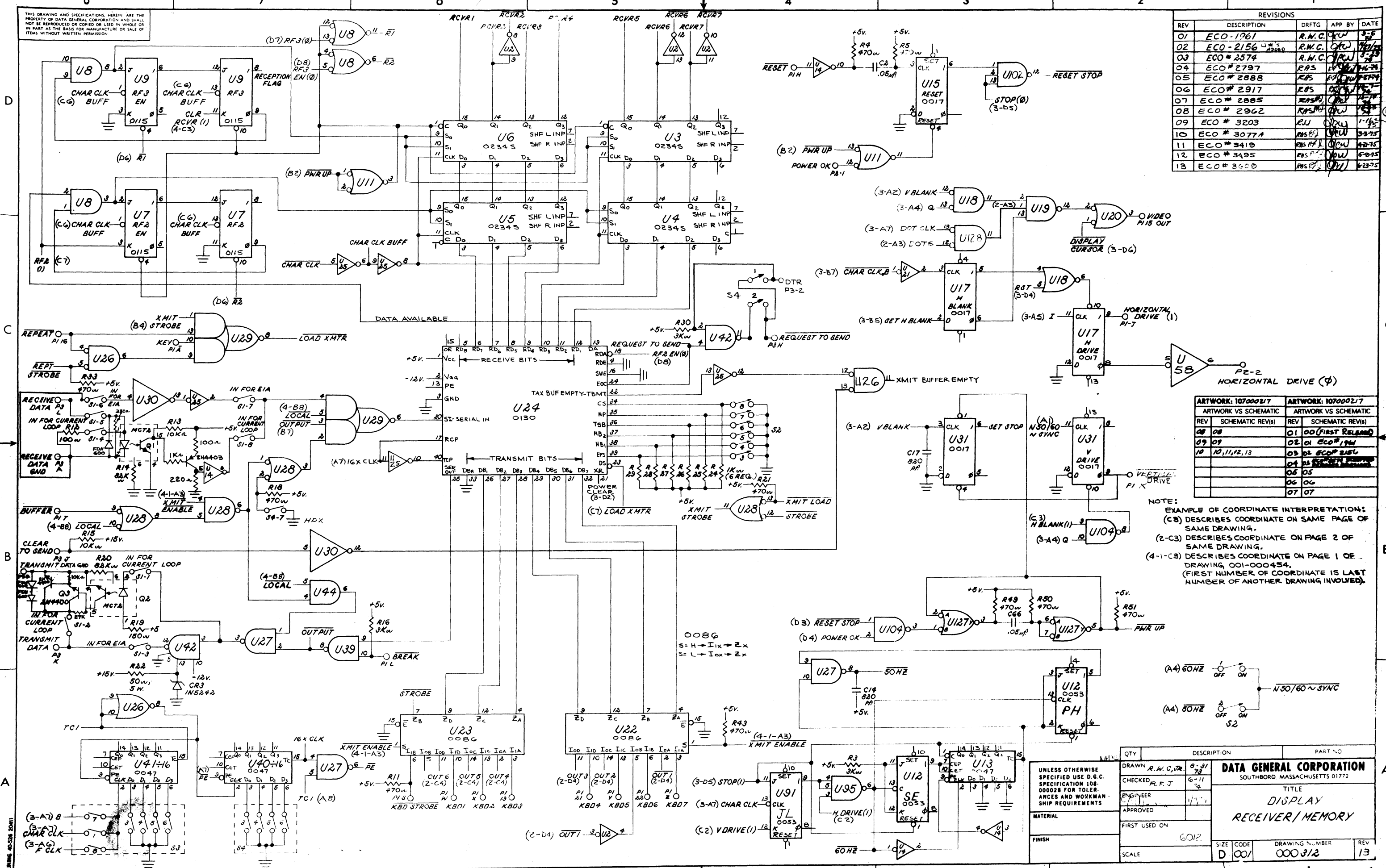


THIS DRAWING AND SPECIFICATIONS, HEREIN, ARE THE PROPERTY OF DATA GENERAL CORPORATION AND SHALL NOT BE REPRODUCED OR COPIED OR USED IN WHOLE OR IN PART AS THE BASIS FOR MANUFACTURE OR SALE OF ITEMS WITHOUT WRITTEN PERMISSION

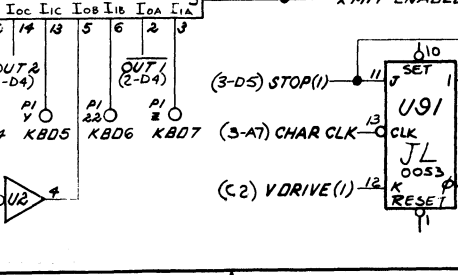
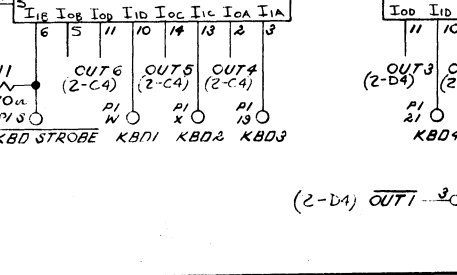
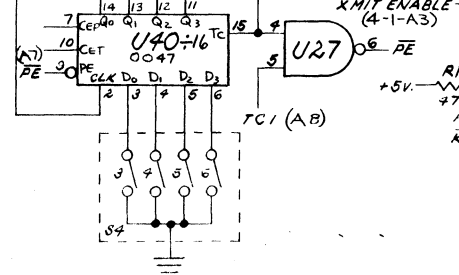
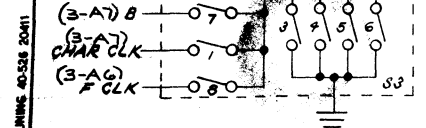
REVISIONS				
REV	DESCRIPTION	DRFTG	APP BY	DATE
01	ECO-1761	R.W.C.	OKW	3-5
02	ECO-2156	R.W.C.	OKW	3-5
03	ECO # 2574	R.W.C.	OKW	3-5
04	ECO # 2797	RAS	OKW	3-5
05	ECO # 2888	RAS	OKW	3-5
06	ECO # 2917	RAS	OKW	3-5
07	ECO # 2885	RAS	OKW	3-5
08	ECO # 2962	RAS	OKW	3-5
09	ECO # 3203	RW	OKW	1-16-75
10	ECO # 3077A	RAS	OKW	3-2-75
11	ECO # 3419	RAS	OKW	4-2-75
12	ECO # 3495	RAS	OKW	6-9-75
13	ECO # 3600	RAS	OKW	6-23-75



ARTWORK: 1070002/7		ARTWORK: 1070002/7	
REV	SCHEMATIC REV(S)	REV	SCHEMATIC REV(S)
01	00	01	00 (FIRST RELEASE)
02	01	02	01 (ECO # 194)
03	02	03	02 (ECO # 257)
04	03	04	03 (ECO # 279)
05	04	05	04 (ECO # 288)
06	05	06	05 (ECO # 291)
07	06	07	06 (ECO # 288)

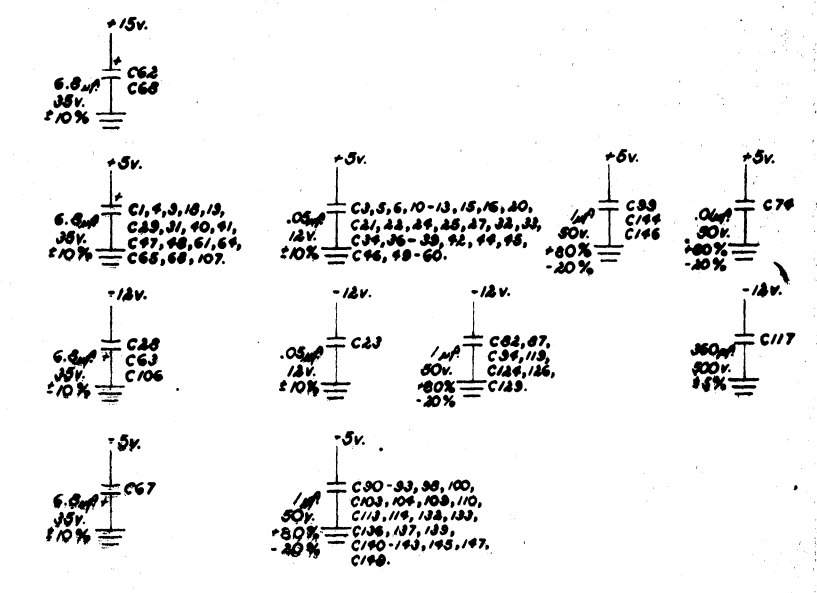
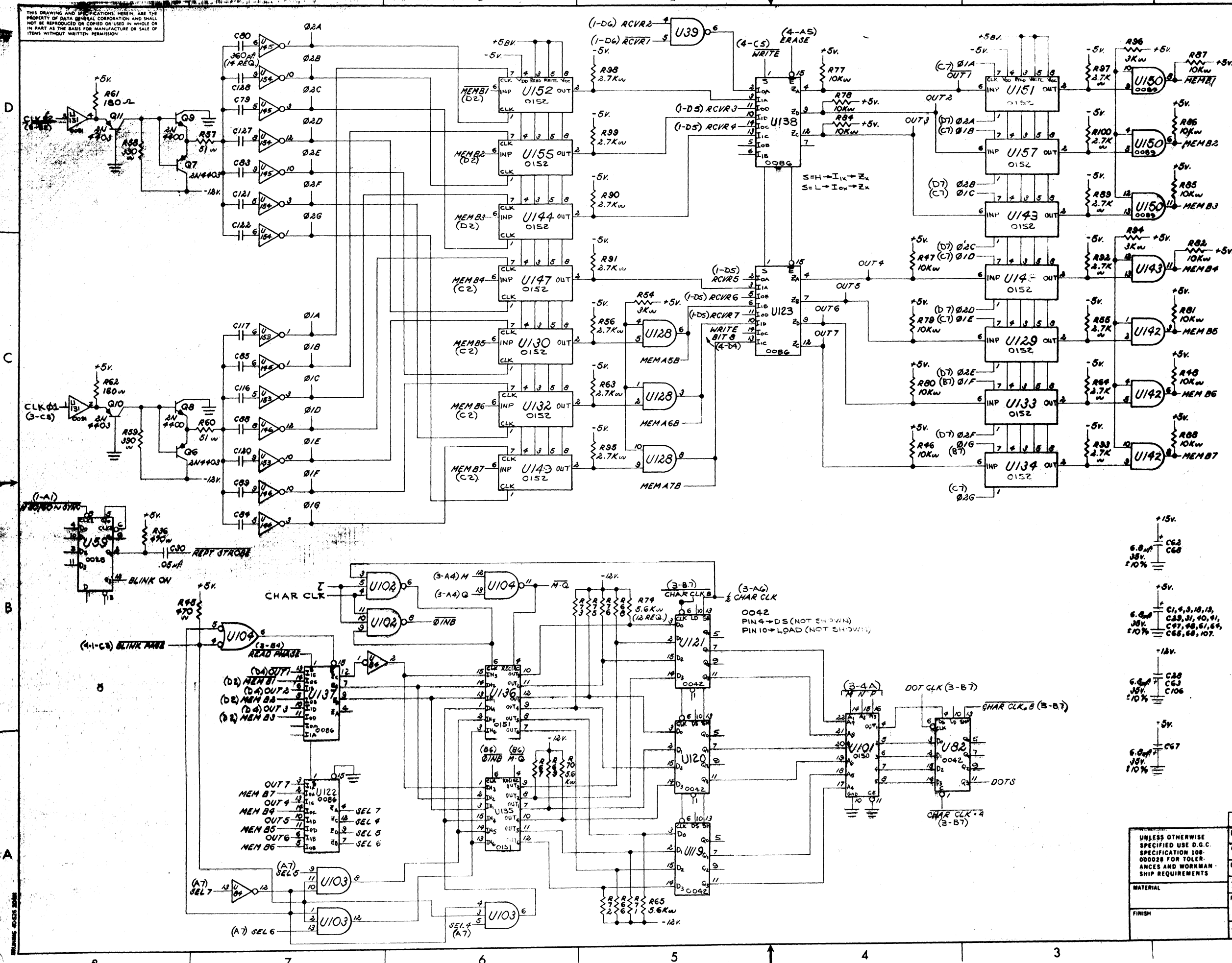
NOTE:  
 EXAMPLE OF COORDINATE INTERPRETATION:  
 (C3) DESCRIBES COORDINATE ON SAME PAGE OF SAME DRAWING.  
 (2-C3) DESCRIBES COORDINATE ON PAGE 2 OF SAME DRAWING.  
 (4-1-C3) DESCRIBES COORDINATE ON PAGE 1 OF DRAWING 001-000454.  
 (FIRST NUMBER OF COORDINATE IS LAST NUMBER OF ANOTHER DRAWING INVOLVED).

QTY	DESCRIPTION	PART NO
	UNLESS OTHERWISE SPECIFIED USE D.S.C. SPECIFICATION 108-00028 FOR TOLERANCES AND WORKMANSHIP REQUIREMENTS	
	DRAWN R.W.C./DR. 8-31-73	
	CHECKED R.F.J. 6-11-74	
	ENGINEER C. 11-7-74	
	APPROVED	
	FIRST USED ON 6012	
	SCALE	
	SIZE CODE D 001	
	DRAWING NUMBER 000312	
	REV 13	



THIS DRAWING AND SPECIFICATIONS HEREIN ARE THE PROPERTY OF DATA GENERAL CORPORATION AND SHALL NOT BE REPRODUCED OR COPIED OR USED IN WHOLE OR IN PART AS THE BASIS FOR MANUFACTURE OR SALE OF ITEMS WITHOUT WRITTEN PERMISSION

REVISIONS			
REV	DESCRIPTION	DRFTG	APP BY DATE



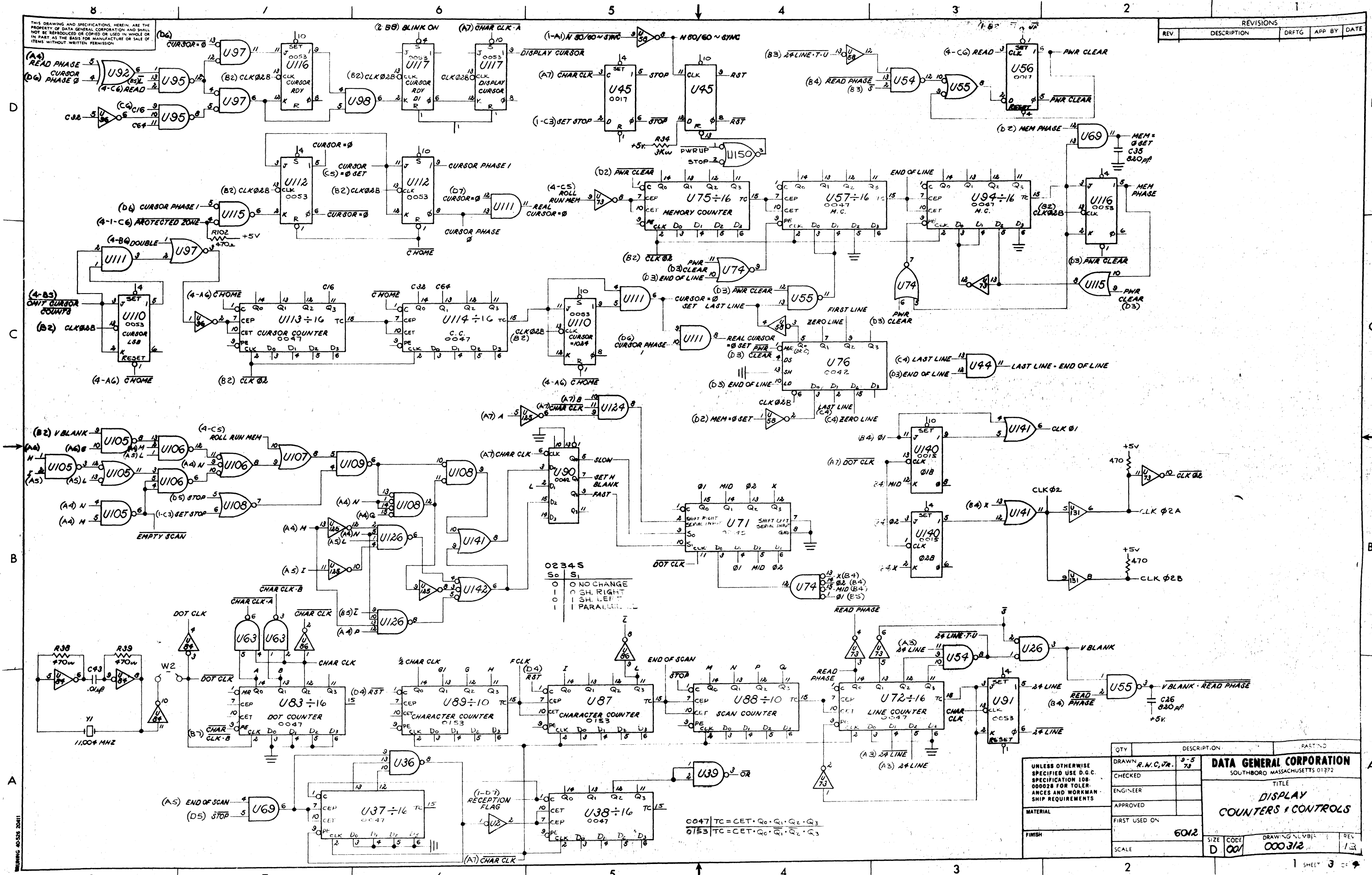
QTY	DESCRIPTION	PART NO

UNLESS OTHERWISE SPECIFIED USE D.G.C. SPECIFICATION 108-00008 FOR TOLERANCES AND WORKMANSHIP REQUIREMENTS	<b>DATA GENERAL CORPORATION</b> SOUTHBORO MASSACHUSETTS 01772	
DRAWN R.M.C.J.R. 0-20 79	TITLE <b>DISPLAY RECEIVER / MEMORY</b>	
CHECKED		
ENGINEER		
APPROVED		
FIRST USED ON		
SCALE	SIZE CODE D 00	DRAWING NUMBER 000312
		REV 13

THIS DRAWING AND SPECIFICATIONS, HEREIN, ARE THE PROPERTY OF DATA GENERAL CORPORATION AND SHALL NOT BE REPRODUCED OR COPIED OR USED IN WHOLE OR IN PART AS THE BASIS FOR MANUFACTURE OR SALE OF ITEMS WITHOUT WRITTEN PERMISSION.

REVISIONS			
REV	DESCRIPTION	DRFTG	APP BY DATE



QTY	DESCRIPTION	PART NO

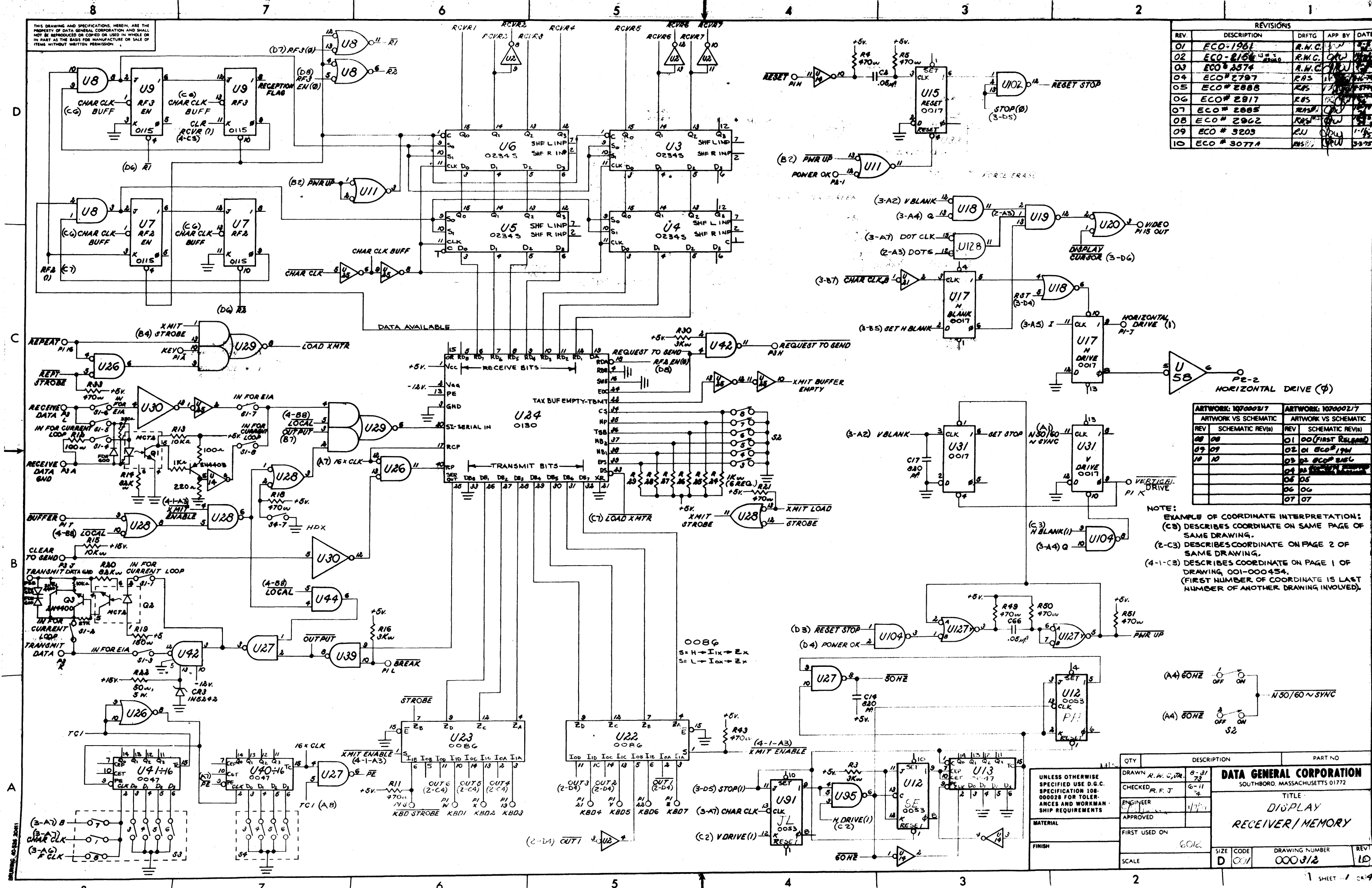
UNLESS OTHERWISE SPECIFIED USE D.G.C. SPECIFICATION 108-00028 FOR TOLERANCES AND WORKMANSHIP REQUIREMENTS	DRAWN R.N.C./J.R. 9-5-78	<b>DATA GENERAL CORPORATION</b> SOUTHBORO MASSACHUSETTS 01772
CHECKED		TITLE
ENGINEER		<b>DISPLAY COUNTERS &amp; CONTROLS</b>
APPROVED		
FIRST USED ON		
MATERIAL		
FINISH		
SCALE	6012	SIZE CODE
	D 001	DRAWING NUMBER
		000312
		REV
		13

DRAWING 40-305 20411



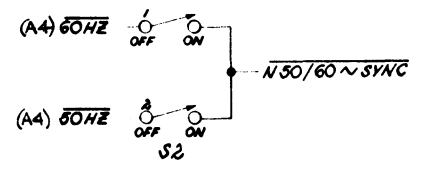
THIS DRAWING AND SPECIFICATIONS HEREIN ARE THE PROPERTY OF DATA GENERAL CORPORATION AND SHALL NOT BE REPRODUCED OR COPIED OR USED IN WHOLE OR IN PART AS THE BASIS FOR MANUFACTURE OR SALE OF ITEMS WITHOUT WRITTEN PERMISSION.

REVISIONS				
REV.	DESCRIPTION	DRFTG	APP BY	DATE
01	ECO# 1981	R.W.C.		
02	ECO# 2154	R.W.C.		
03	ECO# 2574	R.W.C.		
04	ECO# 2797	R.F.S.		
05	ECO# 2888	R.F.S.		
06	ECO# 2917	R.F.S.		
07	ECO# 2885	R.F.S.		
08	ECO# 2962	R.F.S.		
09	ECO# 3203	R.W.		
10	ECO# 3077A	R.S.B.		



ARTWORK: 107000217		ARTWORK: 107000217	
REV	SCHEMATIC REV(S)	REV	SCHEMATIC REV(S)
00	00	01	00 (FIRST RELEASED)
01	01	02	01 ECO# 1981
02	02	03	02 ECO# 2154
03	03	04	03 ECO# 2574
04	04	05	04 ECO# 2797
05	05	06	05 ECO# 2888
06	06	07	06 ECO# 2917

NOTE:  
 EXAMPLE OF COORDINATE INTERPRETATION:  
 (C3) DESCRIBES COORDINATE ON SAME PAGE OF SAME DRAWING.  
 (2-C3) DESCRIBES COORDINATE ON PAGE 2 OF SAME DRAWING.  
 (4-1-C3) DESCRIBES COORDINATE ON PAGE 1 OF DRAWING 001-000434. (FIRST NUMBER OF COORDINATE IS LAST NUMBER OF ANOTHER DRAWING INVOLVED).



QTY	DESCRIPTION	PART NO
	UNLESS OTHERWISE SPECIFIED USE D.G.C. SPECIFICATION 108-00028 FOR TOLERANCES AND WORKMANSHIP REQUIREMENTS	
	MATERIAL	
	FINISH	

DRAWN	CHECKED	ENGINEER	APPROVED	FIRST USED ON	SCALE
R.W.C.	R.F.S.			6016	

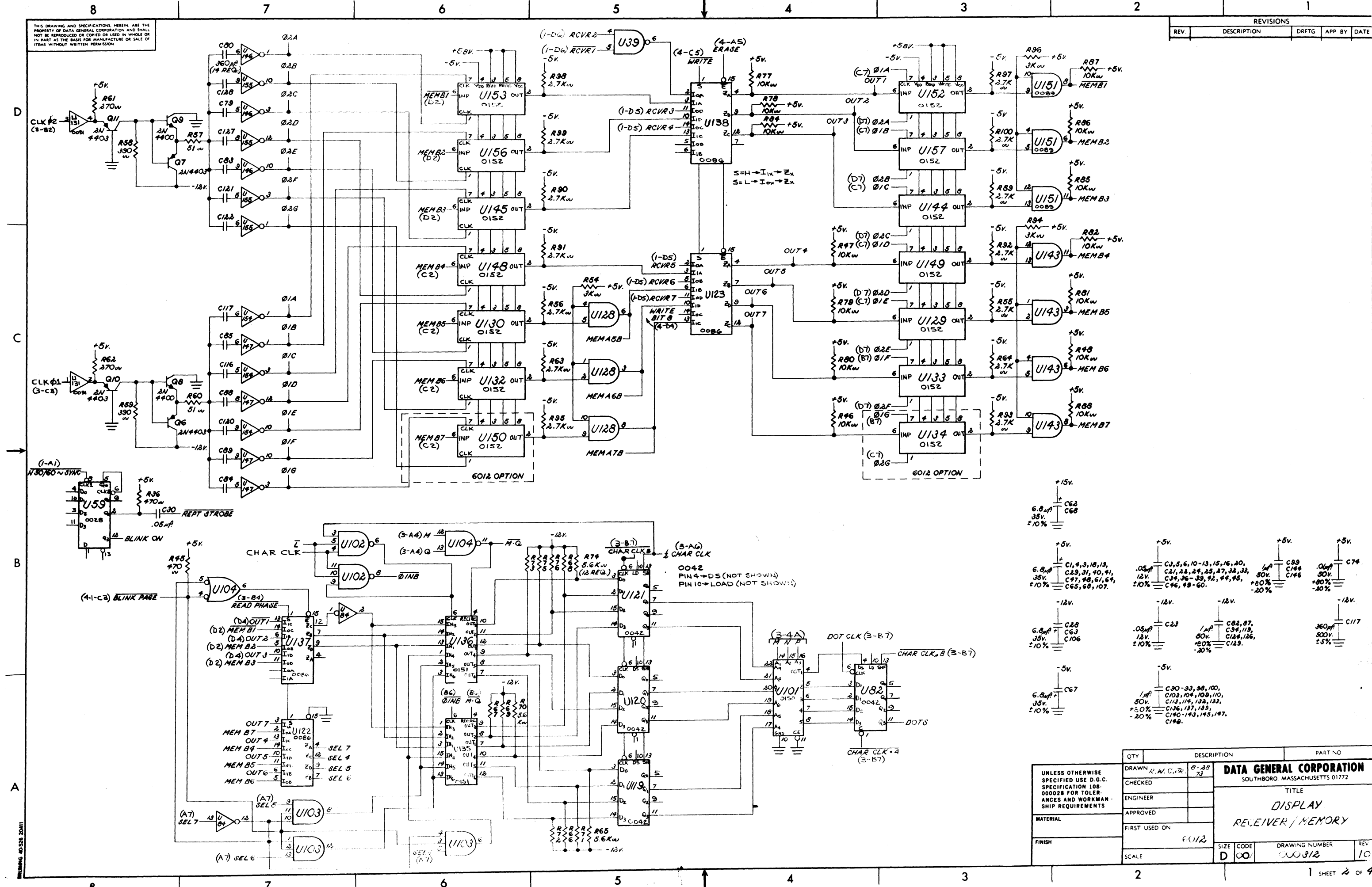
DATA GENERAL CORPORATION			
SOUTHBORO, MASSACHUSETTS 01772			
TITLE			
DISPLAY RECEIVER/MEMORY			
SIZE	CODE	DRAWING NUMBER	REV
D	001	000312	10

DRAWING: 40-285-2041

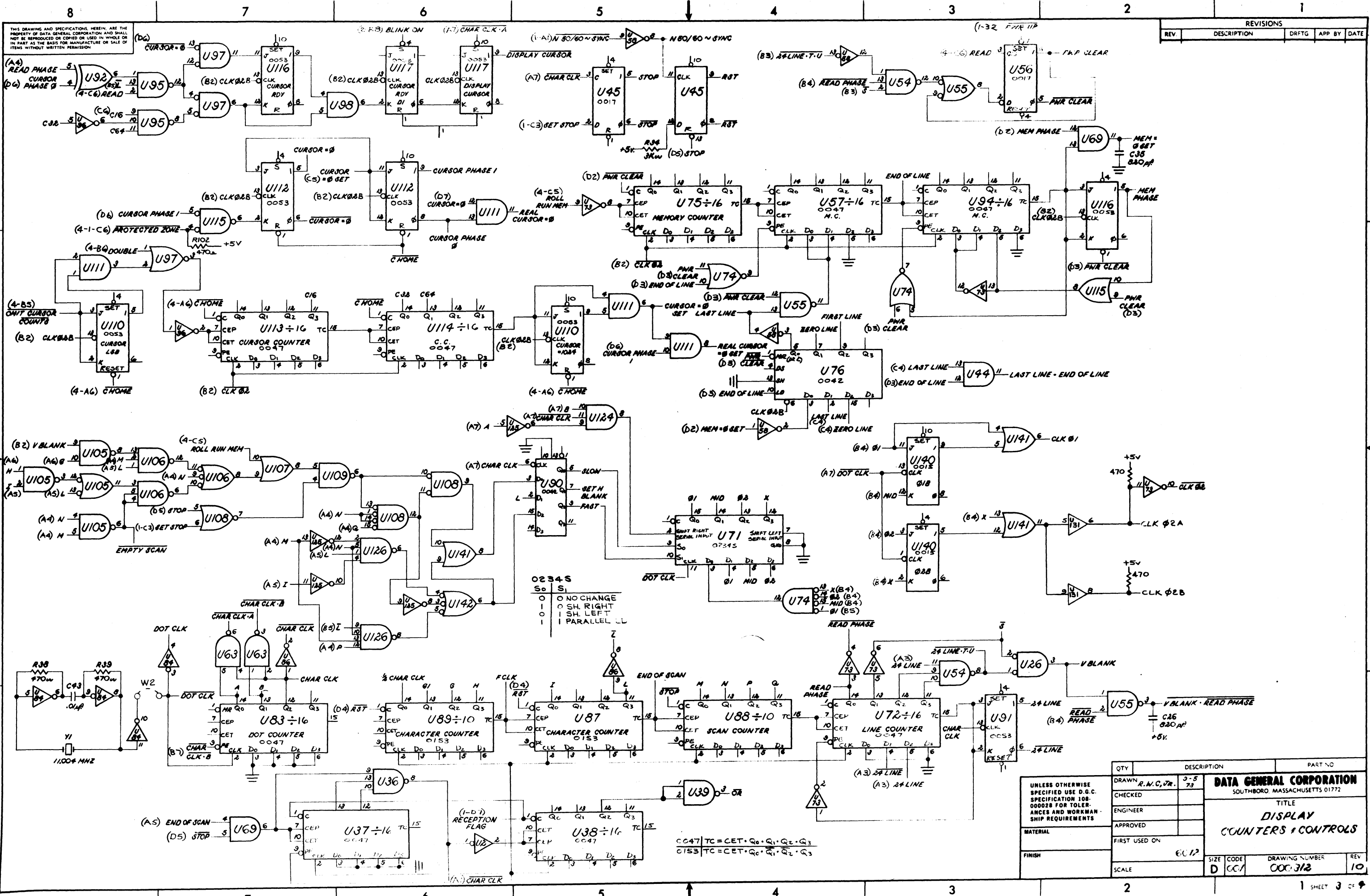


THIS DRAWING AND SPECIFICATIONS, HEREIN, ARE THE PROPERTY OF DATA GENERAL CORPORATION AND SHALL NOT BE REPRODUCED OR COPIED OR USED IN WHOLE OR IN PART AS THE BASIS FOR MANUFACTURE OR SALE OF ITEMS WITHOUT WRITTEN PERMISSION.

REVISIONS				
REV	DESCRIPTION	DRFTG	APP BY	DATE



UNLESS OTHERWISE SPECIFIED USE D.G.C. SPECIFICATION 108-00028 FOR TOLERANCES AND WORKMANSHIP REQUIREMENTS	QTY	DESCRIPTION	PART NO
	DRAWN R.W.C. 73		
	CHECKED		
	ENGINEER		
MATERIAL	APPROVED		
	FIRST USED ON		
FINISH	SCALE	6012	
	SIZE	D	
	CODE	00	
DRAWING NUMBER		00312	
REV		10	



REVISIONS				
REV	DESCRIPTION	DRFTG	APP BY	DATE

0234S

S <sub>0</sub>	S <sub>1</sub>
0	0 NO CHANGE
1	1 SH. RIGHT
2	2 SH. LEFT
3	3 PARALLEL CL

QTY	DESCRIPTION	PART NO

UNLESS OTHERWISE SPECIFIED USE D.G.C. SPECIFICATION 100-00028 FOR TOLERANCES AND WORKMANSHIP REQUIREMENTS		DATA GENERAL CORPORATION SOUTH BORDO, MASSACHUSETTS 01772	
TITLE <b>DISPLAY COUNTERS &amp; CONTROLS</b>			
DRAWN R.A.C./R.		J-5 7/3	
CHECKED			
ENGINEER			
APPROVED			
FIRST USED ON			
MATERIAL			
FINISH			
SCALE			
SIZE	CODE	DRAWING NUMBER	REV
D	CC1	000 312	10

$$CC47 TC = CET \cdot Q_0 \cdot Q_1 \cdot Q_2 \cdot Q_3$$

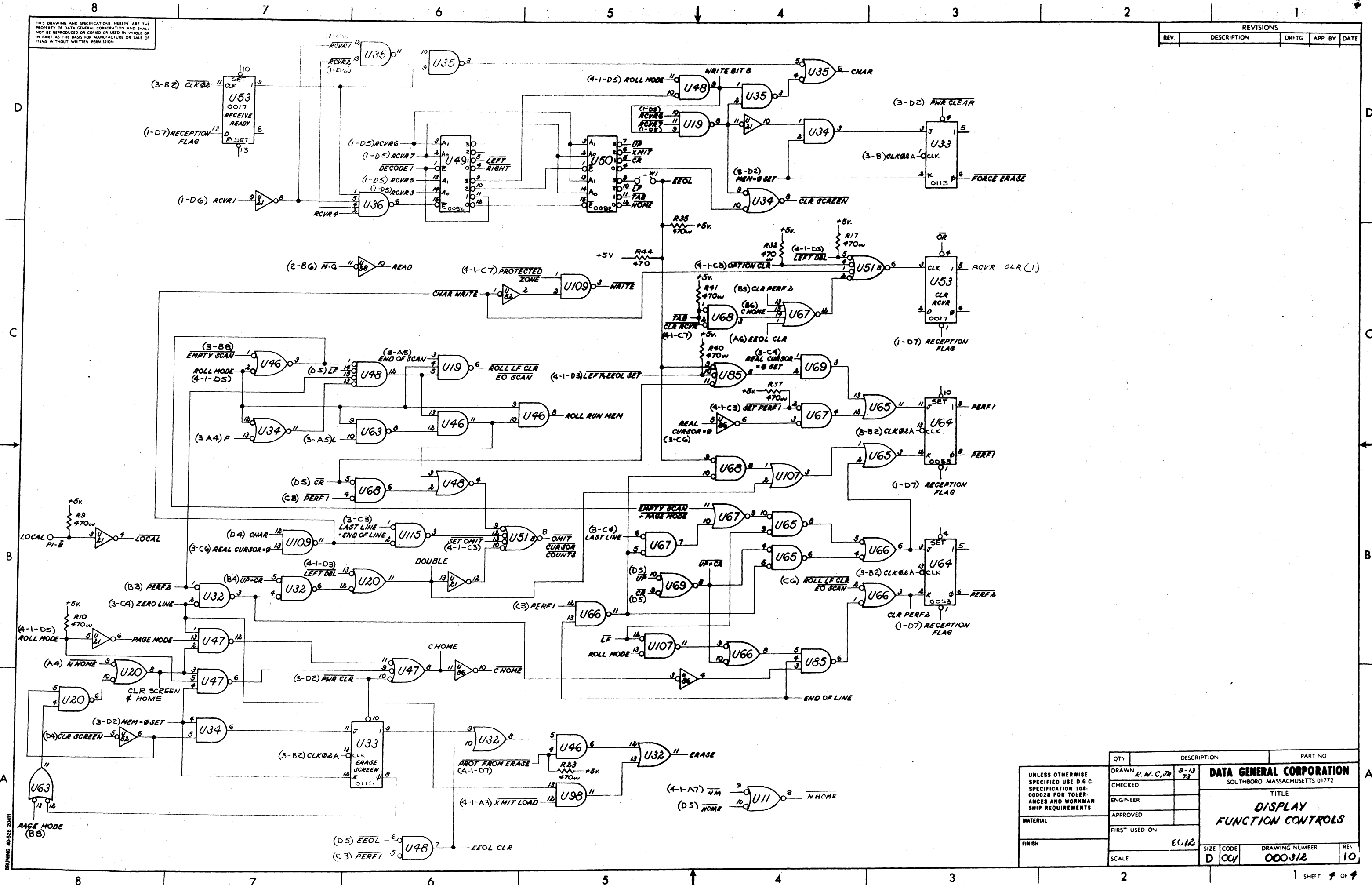
$$C153 TC = CET \cdot Q_0 \cdot Q_1 \cdot Q_2 \cdot Q_3$$

DRAWING 40-528 20411

A

THIS DRAWING AND SPECIFICATIONS HEREIN ARE THE PROPERTY OF DATA GENERAL CORPORATION AND SHALL NOT BE REPRODUCED OR COPIED OR USED IN WHOLE OR IN PART AS THE BASIS FOR MANUFACTURE OR SALE OF ITEMS WITHOUT WRITTEN PERMISSION.

REVISIONS			
REV.	DESCRIPTION	DRTG	APP BY DATE



QTY	DESCRIPTION	PART NO

UNLESS OTHERWISE SPECIFIED USE D.G.C. SPECIFICATION 108-00028 FOR TOLERANCES AND WORKMANSHIP REQUIREMENTS	DRAWN R.A.C., 9-13-73	CHECKED	ENGINEER	APPROVED	FIRST USED ON	MATERIAL	FINISH	SCALE	SIZE CODE	DRAWING NUMBER	REV
									D CC	000312	10



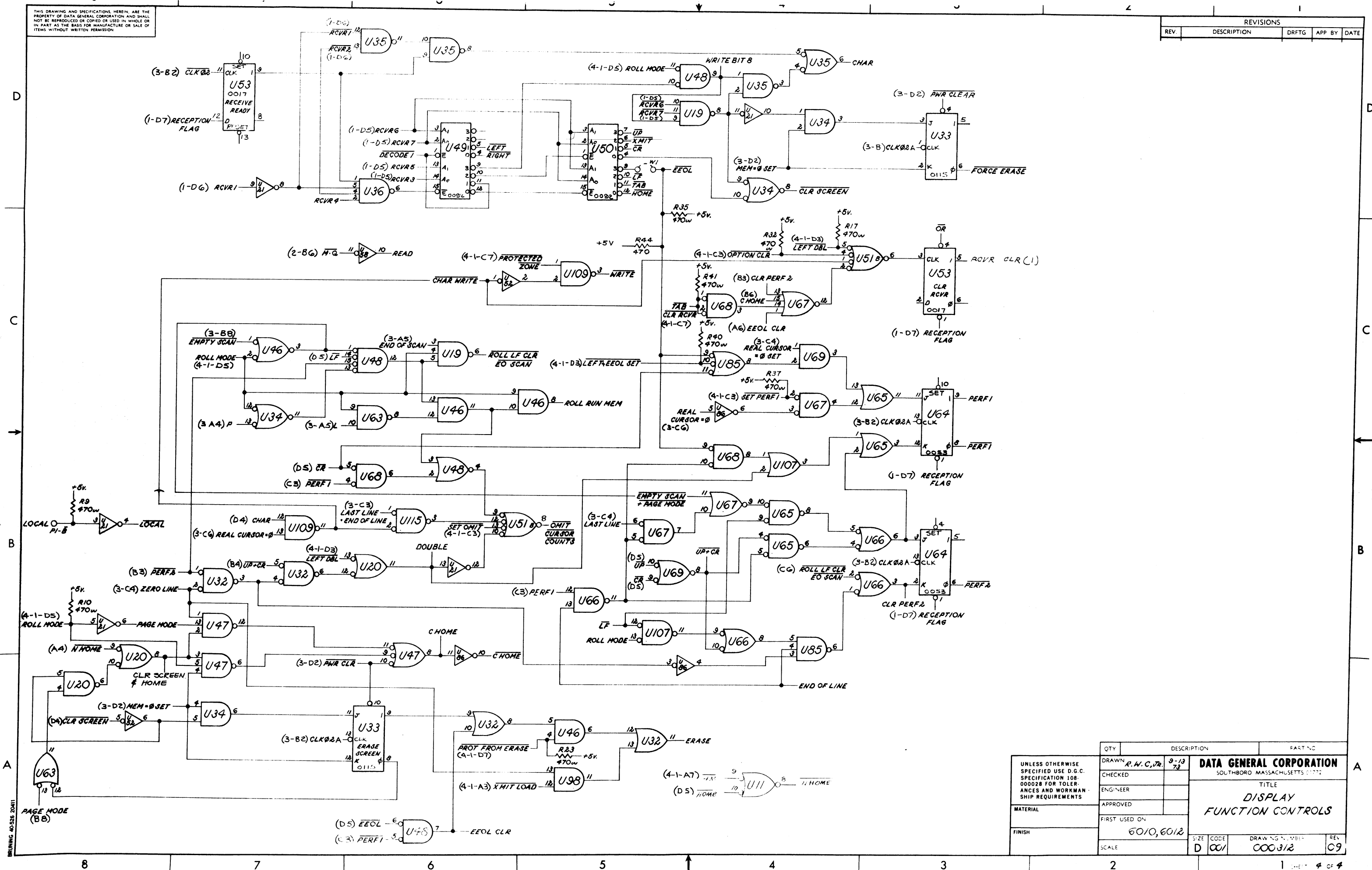






THIS DRAWING AND SPECIFICATIONS HEREIN ARE THE PROPERTY OF DATA GENERAL CORPORATION AND SHALL NOT BE REPRODUCED OR COPIED OR USED IN WHOLE OR IN PART AS THE BASIS FOR MANUFACTURE OR SALE OF ITEMS WITHOUT WRITTEN PERMISSION

REVISIONS				
REV.	DESCRIPTION	DRFTG	APP BY	DATE



QTY	DESCRIPTION	PART NO

UNLESS OTHERWISE SPECIFIED USE D.G.C. SPECIFICATION 108-00028 FOR TOLERANCES AND WORKMANSHIP REQUIREMENTS		DRAWN: R. A. C. JR. 9-13-73		DATA GENERAL CORPORATION SOUTHBORO MASSACHUSETTS 01772	
CHECKED		TITLE DISPLAY FUNCTION CONTROLS			
ENGINEER					
APPROVED					
MATERIAL		FIRST USED ON 6010, 6012			
FINISH		SCALE		SIZE CODE D 001	DRAWING NUMBER 000312
				REV C9	

BRUNING 40-526 20A11

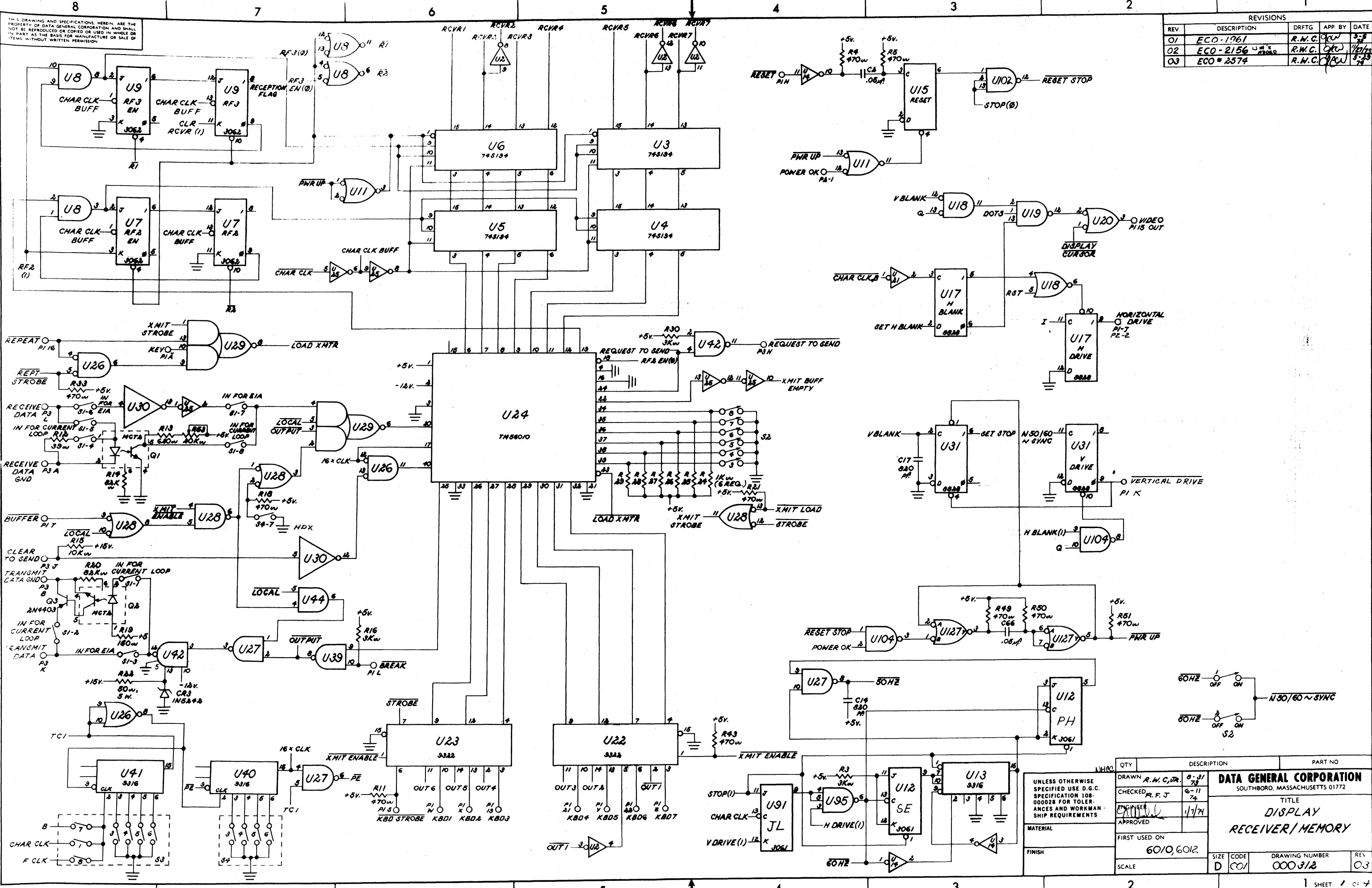












REVISIONS				
REV.	DESCRIPTION	DRFTG	APP BY	DATE
01	ECO-1961	R.W.C.	OK	3-78
02	ECO-2156	R.W.C.	OK	11/78
03	ECO # 2574	R.W.C.	OK	3-79

QTY	DESCRIPTION	PART NO
1	UNLESS OTHERWISE SPECIFIED USE D.G.C. SPECIFICATION 108-00028 FOR TOLERANCES AND WORKMANSHIP REQUIREMENTS	
1	DRAWN R.W.C. DR. 8-31-78	
1	CHECKED R.F.J. 6-11-78	
1	ENGINEER [Signature]	
1	APPROVED [Signature]	
1	FIRST USED ON 6010, 6012	
1	SCALE	
1	SIZE D	
1	CODE	
1	DRAWING NUMBER 000312	
1	REV 03	

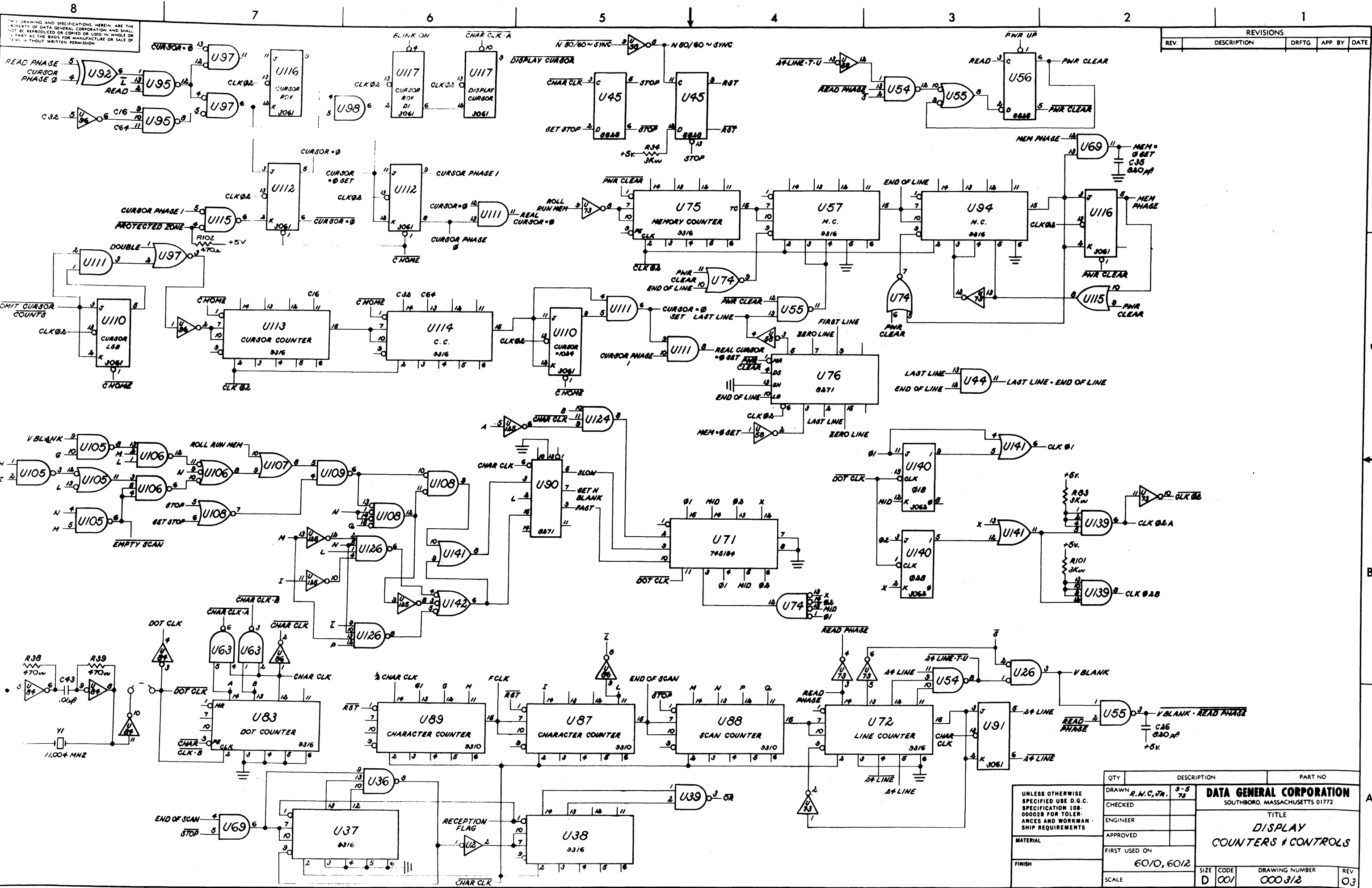
DATA GENERAL CORPORATION  
SOUTHBORO, MASSACHUSETTS 01772

TITLE  
**DISPLAY RECEIVER/MEMORY**

BRUNING 40-526 20411







REVISIONS			
REV.	DESCRIPTION	DRFTG	APP BY DATE

UNLESS OTHERWISE SPECIFIED USE D.G.C. SPECIFICATION 108-00028 FOR TOLERANCES AND WORKMANSHIP REQUIREMENTS	QTY	DESCRIPTION	PART NO
	DRAWN	R. W. C. JR.	9-5 79
	CHECKED		
	ENGINEER		
MATERIAL	APPROVED	FIRST USED ON	60/0, 60/2
FINISH	SCALE	SIZE	CODE
DRAWING NUMBER		REV	
0003/2		03	

**DATA GENERAL CORPORATION**  
SOUTHBORO, MASSACHUSETTS 01772

**TITLE**  
DISPLAY  
COUNTERS & CONTROLS

