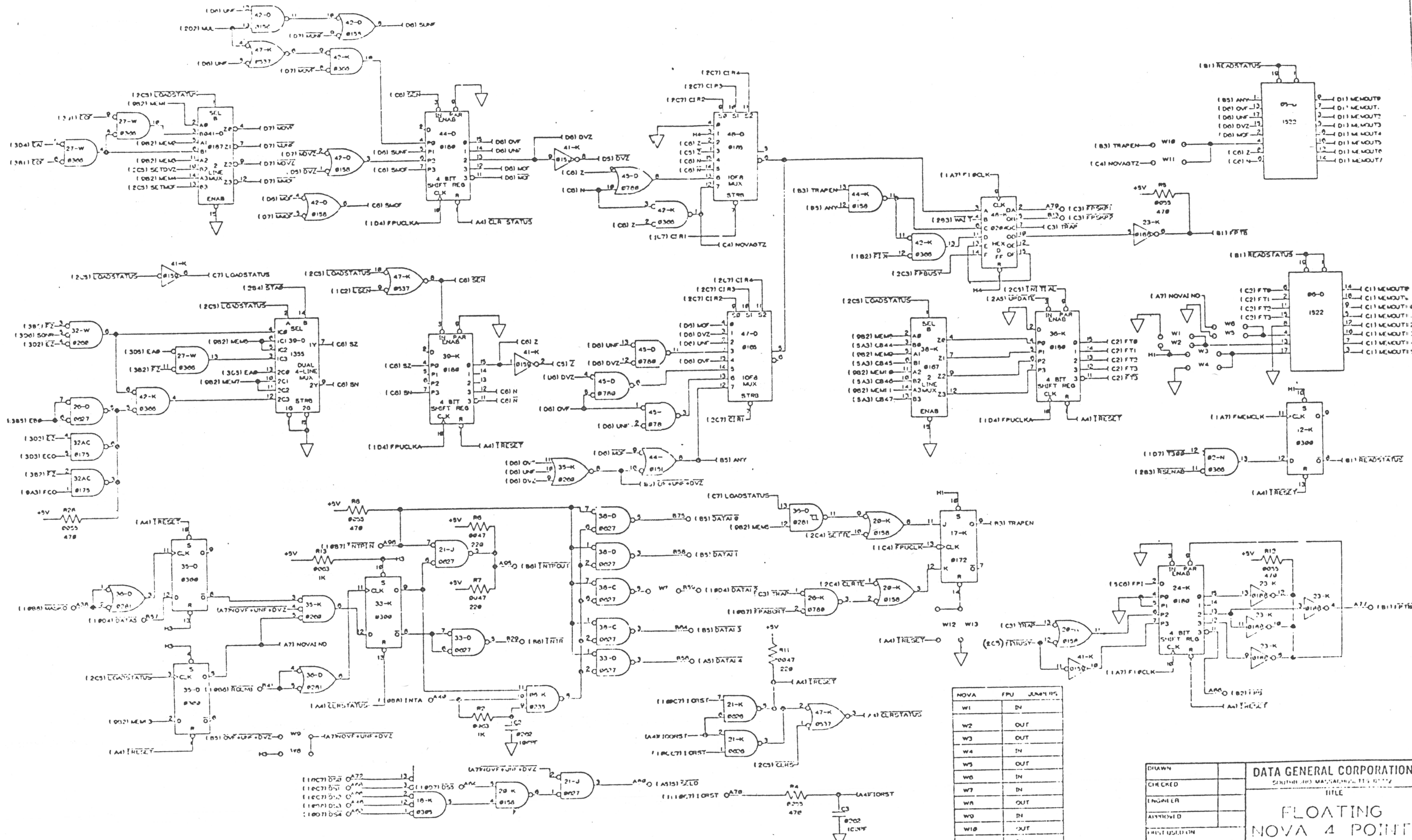


|            |      |  |     |
|------------|------|--|-----|
| DRAWN      |      | <b>DATA GENERAL CORPORATION</b><br><small>Sixth Floor, 1100 Massachusetts Avenue</small><br><b>TITLE</b><br><b>FLOATING NOVA 4 POINT</b> |     |
| CHECKED    |      |  |     |
| ENGINEER   |      |  |     |
| APPROVED   |      |  |     |
| PRINTED ON |      |  |     |
| SIZE       | COOP | DATE   | NO. |
| D          |      | 00   | 011 |

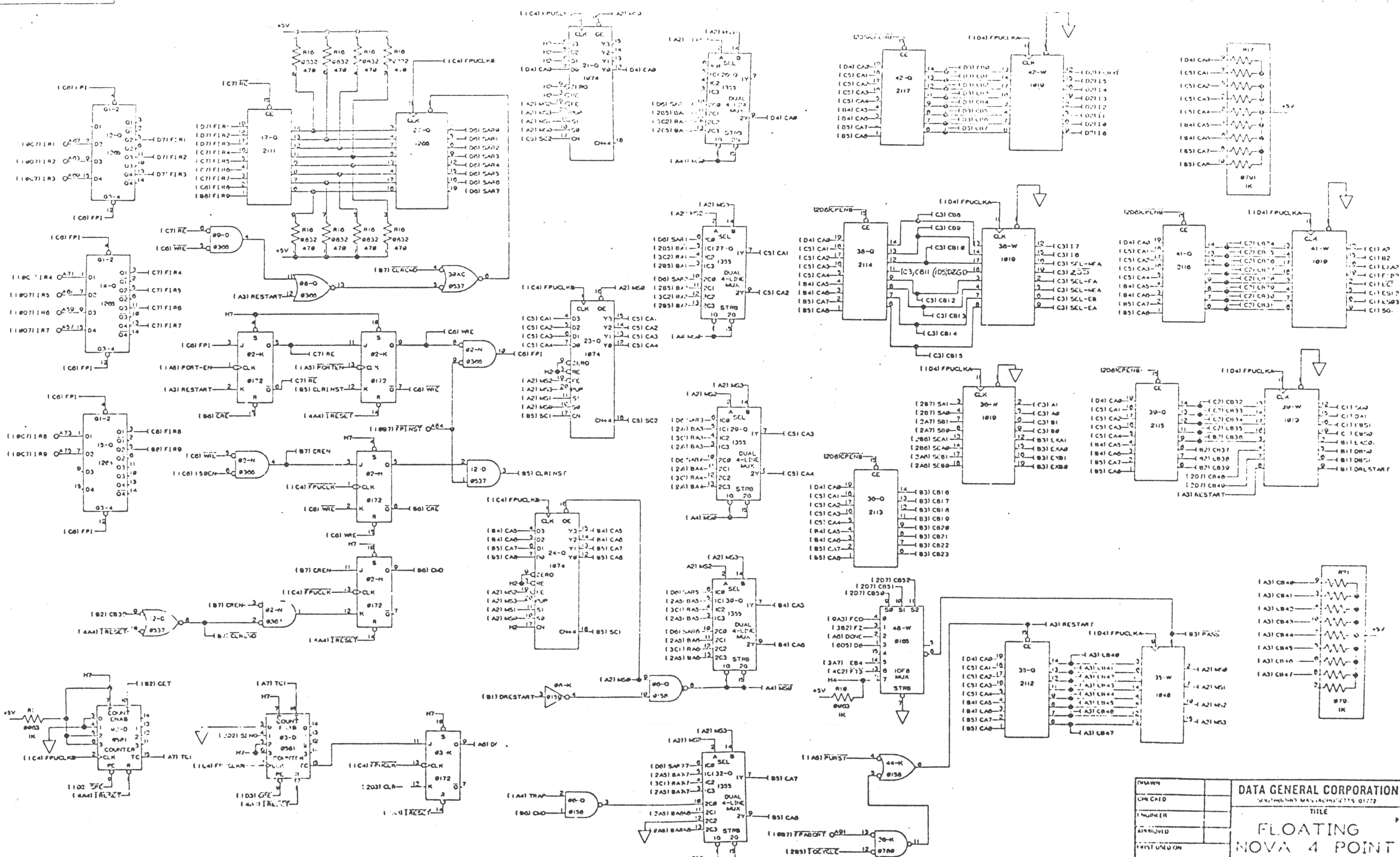


| NOVA | FRU | JUN 4 1955 |
|------|-----|------------|
| W1   | IN  |            |
| W2   | OUT |            |
| W3   | OUT |            |
| W4   | IN  |            |
| W5   | OUT |            |
| W6   | IN  |            |
| W7   | IN  |            |
| W8   | OUT |            |
| W9   | IN  |            |
| W10  | OUT |            |
| W11  | IN  |            |
| W12  | OUT |            |
| W13  | OUT |            |

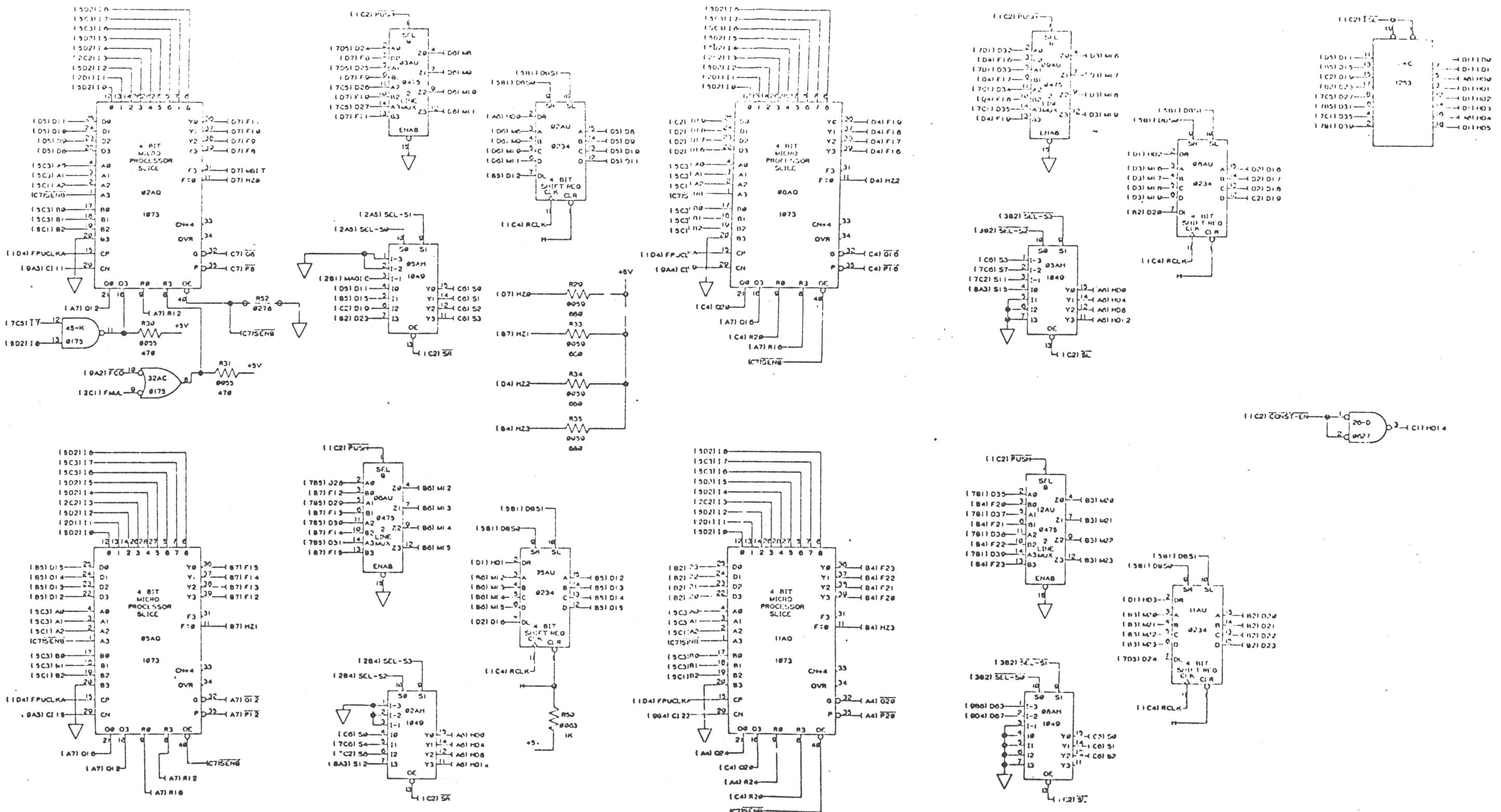
|                |  |  |
|----------------|--|--|
| DRAWN          |  | <b>DATA GENERAL CORPORATION</b><br>SERIAL AND MANUFACTURING DEPT.<br>TITLE<br><b>FLOATING NOVA 4 POINT</b><br>DATE: 00-00-00 |
| CHECKED        |  |  |
| ENGINEER       |  |  |
| APPROVED       |  |  |
| FIRST USE ONLY |  |  |

5

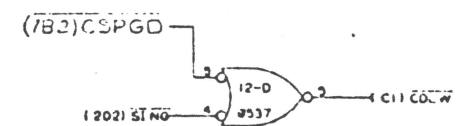
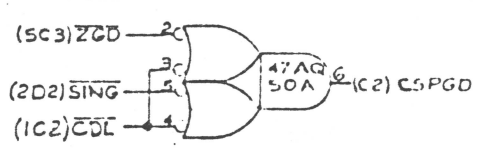
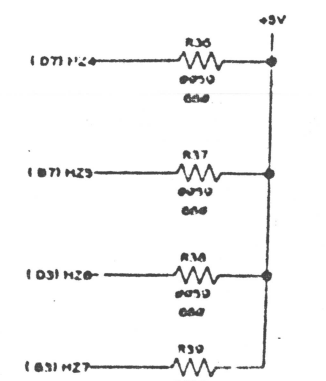
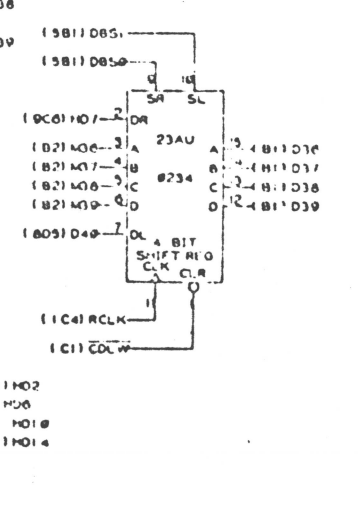
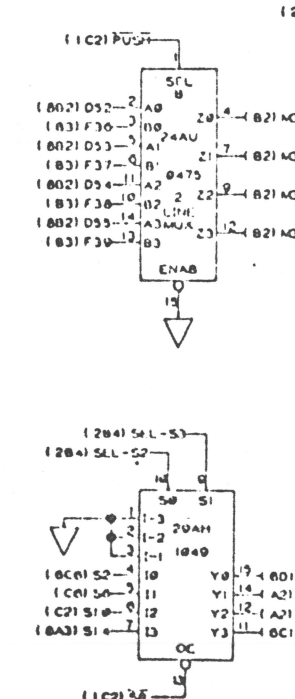
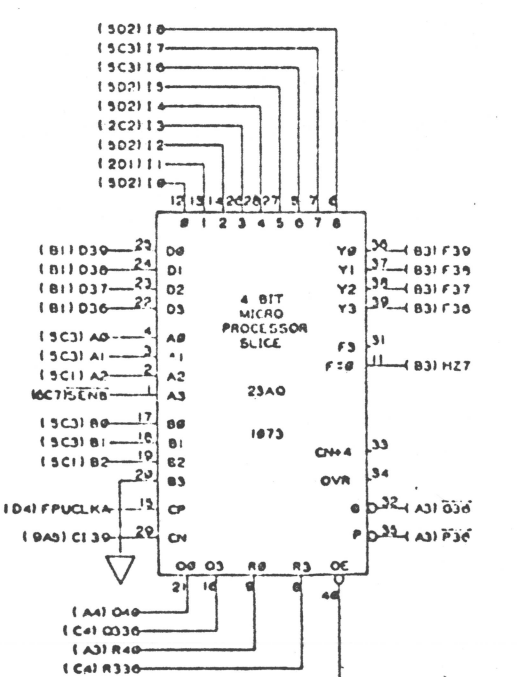
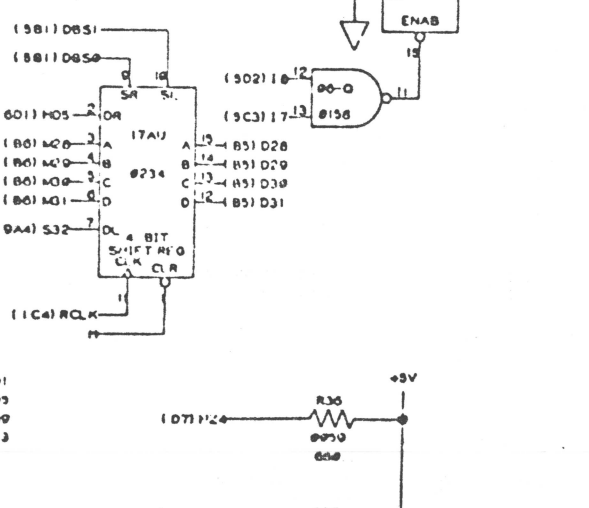
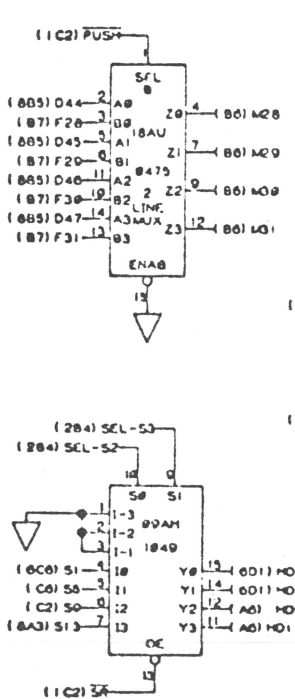
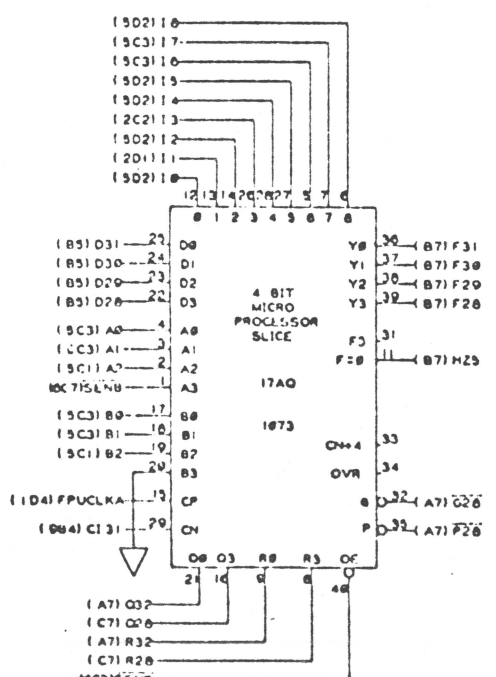
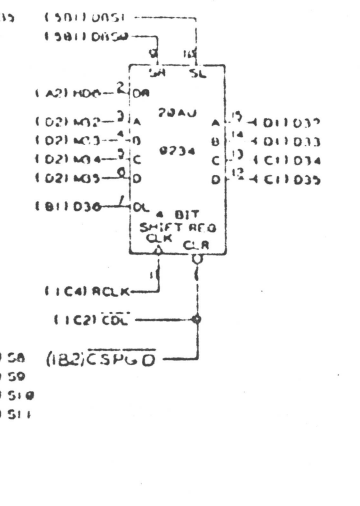
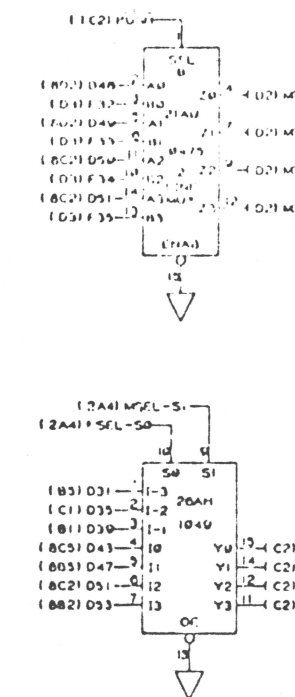
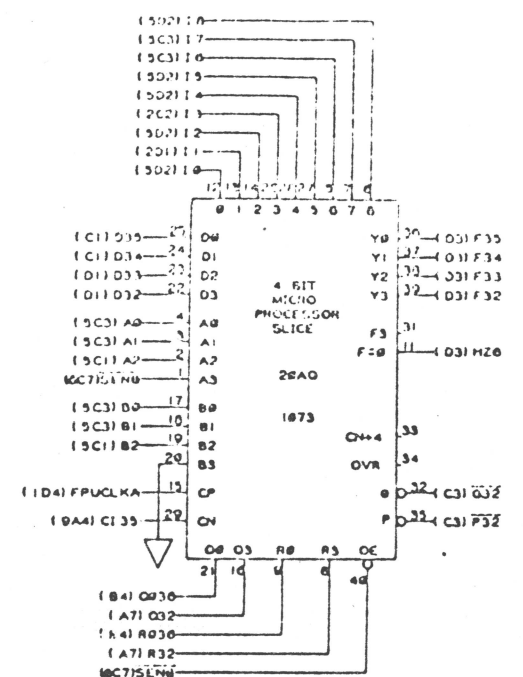
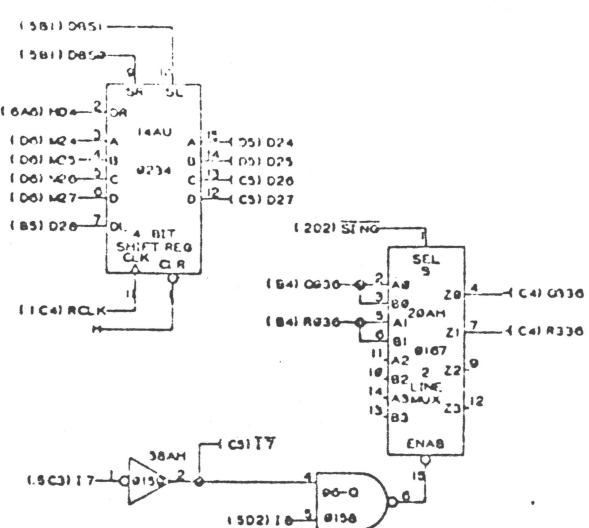
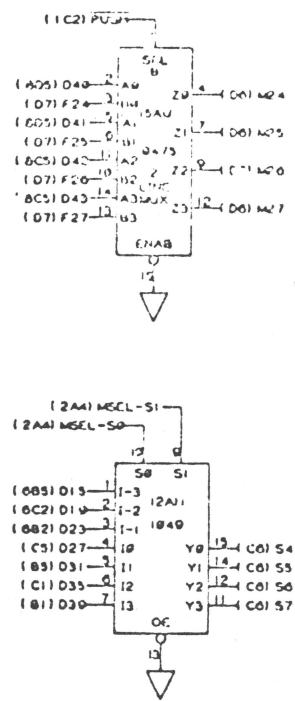
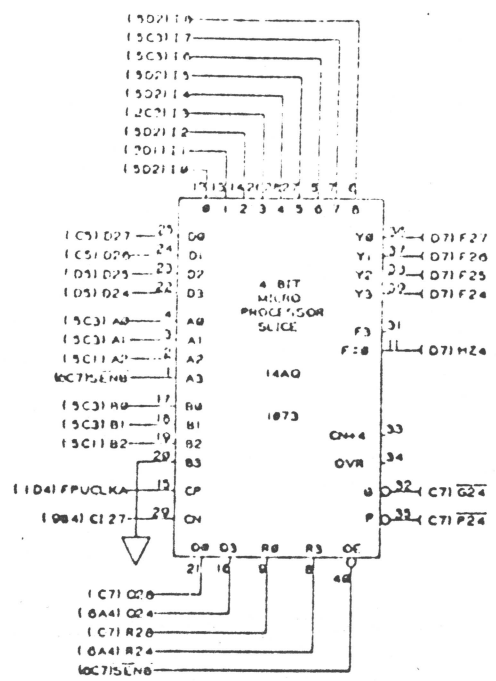
5



|            |  |   |
|------------|--|---|
| DESIGNED   |  | <b>DATA GENERAL CORPORATION</b><br>1600 BAYVIEW AVENUE<br>CUPERTINO, CALIF. 95014 |
| DATE       |  |   |
| BY         |  |   |
| APPROVED   |  |   |
| PRINTED ON |  |   |
|            |  | TITLE   |
|            |  | <b>FLOATING NOVA 4 POINT</b>  |



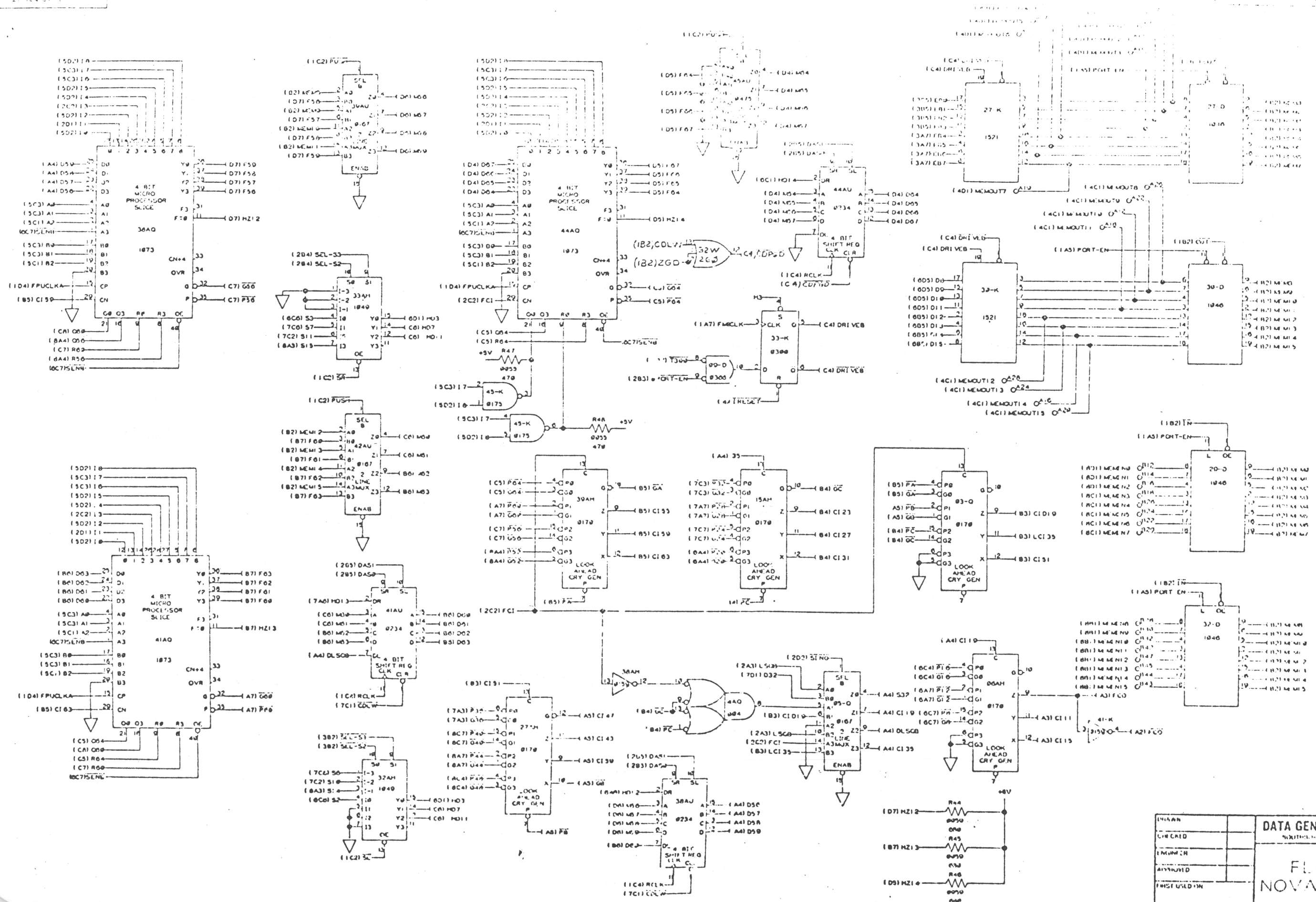
|              |  |   |
|--------------|--|---|
| DRAWN        |  | <b>DATA GENERAL CORPORATION</b><br>SOUTHBRIDGE MASSACHUSETTS 01772<br>TITLE<br><b>FLOATING NOVA 4 POINT</b> |
| CHEKED       |  |   |
| ENGINEER     |  |   |
| APPROVED     |  |   |
| TEST USED ON |  | 8/78 ICGAN<br>DANA RAYMOND  |



|               |  |  |
|---------------|--|--|
| DRAWN         |  | <b>DATA GENERAL CORPORATION</b><br>SOUTHBURY MASSACHUSETTS 01777<br>TITLE<br><b>FLOATING NOVA 4 POINT</b><br>SIZE CODE |
| CREATED       |  |  |
| ENGINEER      |  |  |
| APPROVED      |  |  |
| FIRST USED ON |  |  |







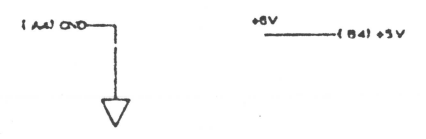
10

AP11 O (A4) GND  
 AP12 O (A4) GND  
 AP13 O (A4) +5V  
 AP14 O (A4) +5V  
 AP15 O  
 AP16 O (D7) MEMOUT1  
 AP17 O (A4) MEMOUT8  
 AP18 O (A4) MEMOUT1  
 AP19 O (A4) MEMOUT1  
 AP20 O (A4) MEMOUT1  
 AP21 O (A4) MEMOUT1  
 AP22 O (A4) MEMOUT1  
 AP23 O (A4) MEMOUT1  
 AP24 O (A4) MEMOUT1  
 AP25 O (A4) MEMOUT1  
 AP26 O (A4) MEMOUT1  
 AP27 O (A4) MEMOUT1  
 AP28 O (A4) MEMOUT1  
 AP29 O (A4) MEMOUT1  
 AP30 O (A4) MEMOUT1  
 AP31 O (A4) MEMOUT1  
 AP32 O (A4) MEMOUT1  
 AP33 O (A4) MEMOUT1  
 AP34 O (A4) MEMOUT1  
 AP35 O (A4) MEMOUT1  
 AP36 O (A4) MEMOUT1  
 AP37 O (A4) MEMOUT1  
 AP38 O (A4) MEMOUT1  
 AP39 O (A4) MEMOUT1  
 AP40 O (A4) MEMOUT1  
 AP41 O (A4) MEMOUT1  
 AP42 O (A4) MEMOUT1  
 AP43 O (A4) MEMOUT1  
 AP44 O (A4) MEMOUT1  
 AP45 O (A4) MEMOUT1  
 AP46 O (A4) MEMOUT1  
 AP47 O (A4) MEMOUT1  
 AP48 O (A4) MEMOUT1  
 AP49 O (A4) MEMOUT1  
 AP50 O (A4) MEMOUT1

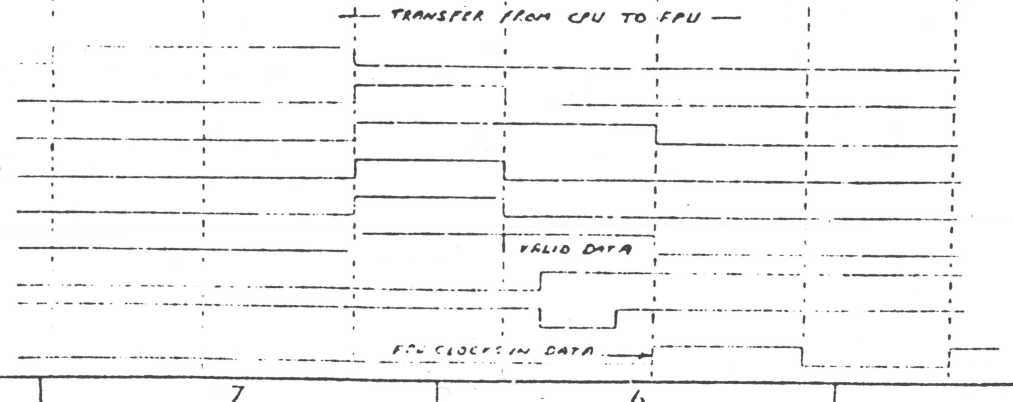
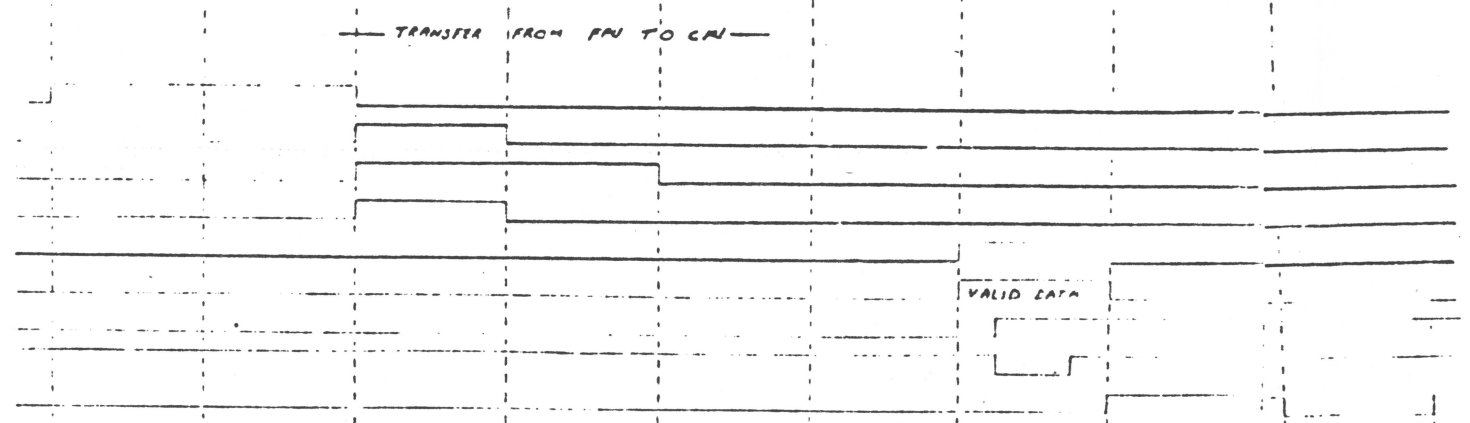
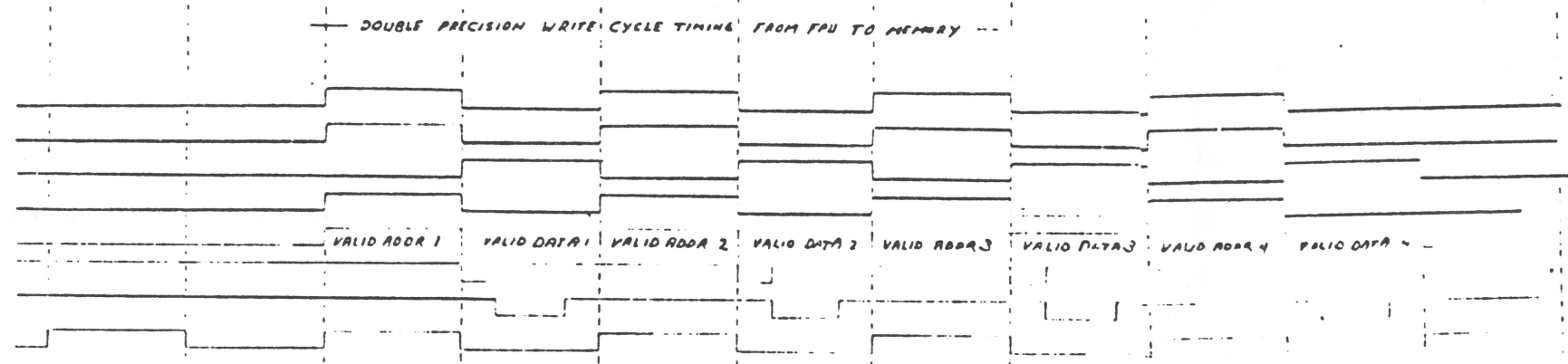
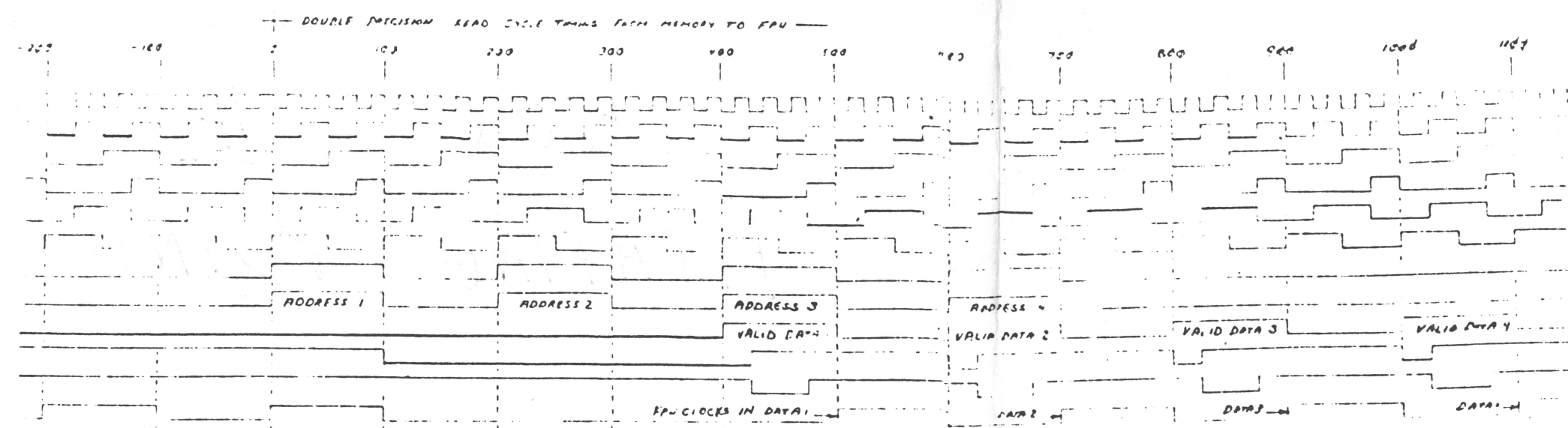
AP51 O (D7) MEMOUT1  
 AP52 O (D7) IR7  
 AP53 O (D7) IR6  
 AP54 O (D7) IR5  
 AP55 O (D7) D54  
 AP56 O (D7) IR2  
 AP57 O (D7) D53  
 AP58 O (A4) GND  
 AP59 O (C7) D53  
 AP60 O (C7) IR1  
 AP61 O (C7) D51  
 AP62 O (C7) IR3  
 AP63 O (C7) ORST  
 AP64 O (C7) IR4  
 AP65 O (C7) D52  
 AP66 O (C7) IR6  
 AP67 O (C7) IR9  
 AP68 O (C7) FPCPU  
 AP69 O (A8) FPTH  
 AP70 O (C7) FPMEM  
 AP71 O (A4) GND  
 AP72 O (A4) GND  
 AP73 O (A4) GND  
 AP74 O (A4) GND  
 AP75 O (A4) GND  
 AP76 O (A4) GND  
 AP77 O (A4) GND  
 AP78 O (A4) GND  
 AP79 O (A4) GND  
 AP80 O (A4) GND  
 AP81 O (A4) GND  
 AP82 O (A4) GND  
 AP83 O (A4) GND  
 AP84 O (A4) GND  
 AP85 O (A4) GND  
 AP86 O (A4) GND  
 AP87 O (A4) GND  
 AP88 O (A4) GND  
 AP89 O (A4) GND  
 AP90 O (A4) GND  
 AP91 O (A4) GND  
 AP92 O (A4) GND  
 AP93 O (A4) GND  
 AP94 O (A4) GND  
 AP95 O (A4) GND  
 AP96 O (A4) GND  
 AP97 O (A4) GND  
 AP98 O (A4) GND  
 AP99 O (A4) GND  
 A100 O (A4) GND

BP1 C (A4) GND  
 BP2 O (A4) GND  
 BP3 O (B4) +5V  
 BP4 O (B4) +5V  
 BP5 O  
 BP6 O  
 BP7 O  
 BP8 O  
 BP9 O  
 BP10 O  
 BP11 O (B0) MEM N0  
 BP12 O (A4) FPCPU2  
 BP13 O (B0) MEM N1  
 BP14 O (B0) MEM N1  
 BP15 O (B0) MEM N2  
 BP16 O (B0) MEM N2  
 BP17 O (B0) MEM N3  
 BP18 O (B0) MEM N3  
 BP19 O (B0) MEM N7  
 BP20 O (A4) GND  
 BP21 O (A4) GND  
 BP22 O (B0) MEM N8  
 BP23 O (B0) MEM N8  
 BP24 O (B0) MEM N8  
 BP25 O (B0) MEM N4  
 BP26 O (B0) MEM N4  
 BP27 O (B0) MEM N8  
 BP28 O (A8) INTN  
 BP29 O (B0) MEM N0  
 BP30 O (B0) MEM N0  
 BP31 O (B0) MEM N10  
 BP32 O (B0) MEM N10  
 BP33 O (B0) MEM N10  
 BP34 O (B0) MEM N10  
 BP35 O (B0) MEM N10  
 BP36 O (B0) MEM N10  
 BP37 O (B0) MEM N10  
 BP38 O (A4) GND  
 BP39 O (A4) GND  
 BP40 O (B0) MEM N11  
 BP41 O (B0) MEM N11  
 BP42 O (B0) MEM N15  
 BP43 O (B0) MEM N14  
 BP44 O (B0) MEM N13  
 BP45 O (B0) MEM N12  
 BP46 O (B0) MEM N12  
 BP47 O (B0) MEM N12  
 BP48 O (A4) GND  
 BP49 O (A4) GND  
 BP50 O (A4) GND

BP51 O  
 BP52 O  
 BP53 O  
 BP54 O (A4) DATA1  
 BP55 O (D4) DATA3  
 BP56 O (A4) DATA1  
 BP57 O (D4) DATA3  
 BP58 O  
 BP59 O  
 BP60 O  
 BP61 O  
 BP62 O  
 BP63 O  
 BP64 O (A4) DATA1  
 BP65 O  
 BP66 O  
 BP67 O (A4) GND  
 BP68 O  
 BP69 O  
 BP70 O  
 BP71 O  
 BP72 O  
 BP73 O  
 BP74 O (A4) DATA1  
 BP75 O  
 BP76 O  
 BP77 O  
 BP78 O  
 BP79 O (C4) PWRCK  
 BP80 O (A4) GND  
 BP81 O  
 BP82 O  
 BP83 O  
 BP84 O  
 BP85 O  
 BP86 O  
 BP87 O  
 BP88 O (A4) GND  
 BP89 O (A4) GND  
 BP90 O  
 BP91 O (A4) GND  
 BP92 O  
 BP93 O  
 BP94 O  
 BP95 O  
 BP96 O (B4) +5V  
 BP97 O (B4) +5V  
 BP98 O (A4) GND  
 BP99 O (A4) GND  
 BP100 O (A4) GND



|              |   |   |
|--------------|---|---|
| DESIGNED     |   | <b>DATA GENERAL CORPORATION</b><br>SOUTH BORD MA 01772<br>TITLE<br><b>FLOATING NOVA 4 POINT</b> |
| CHECKED      |   |   |
| ENGINEER     |   |   |
| APPROVED     |   |   |
| TEST USED ON |   |   |
| SIZE         | D | DRAWING NUMBER<br><b>0010070</b>  |



- NOTES:
1. MEMCAN MAY BE PULSED LOW IN 100 NS INCREMENTS BY A) MEMWAIT B) MEMSORAY
  2. FOR SINGLE PRECISION TWO WORDS ARE TRANSFERRED
  3. FOR DOUBLE PRECISION FOUR WORDS ARE TRANSFERRED
  4. ALL TIMES ARE IN NANO SECONDS

FPU-CPU-MEMORY TIMING

| ITEM   | QTY | DESCRIPTION | REVISION |
|--|-----|-------------|----------|
| DO NOT SCALE DRAWING UNLESS OTHERWISE SPECIFIED BY DGC SPECIFICATION |     |             |          |
| 100 HOURS FOR TOLERANCE AND EQUIPMENT TO BE PROVIDED                 |     |             |          |
| MATERIAL   |     |             |          |
| DATE   |     |             |          |
| BY   |     |             |          |
| DATA GENERAL CORPORATION<br>WISBORO MASS 01891                       |     |             |          |
| NOVA 4<br>FLOATING<br>POINT  |     |             |          |
| 00100261 01  |     |             |          |