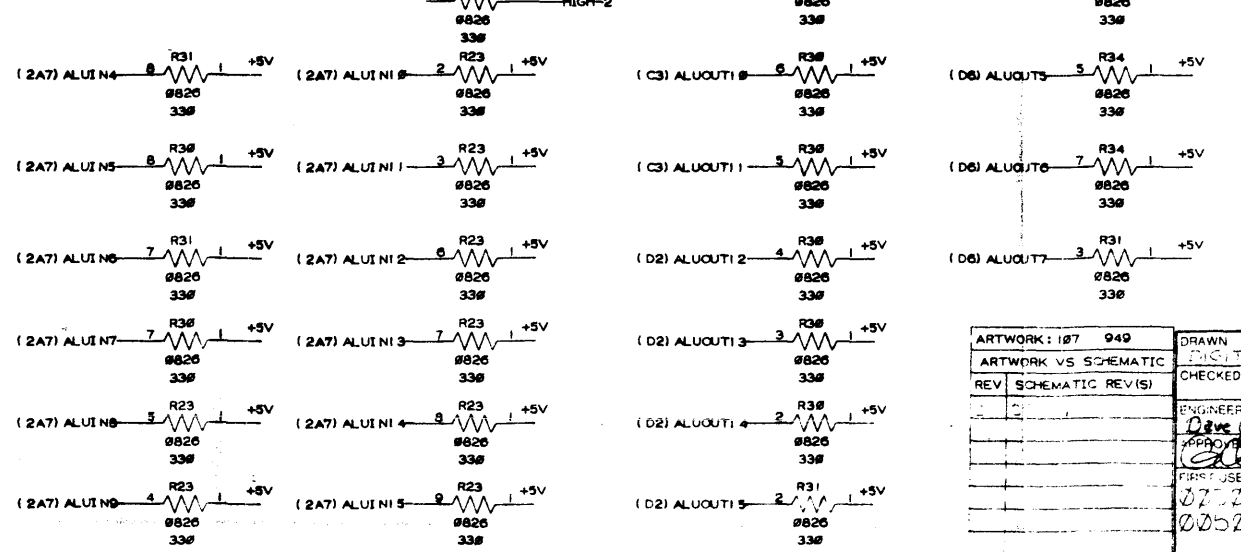
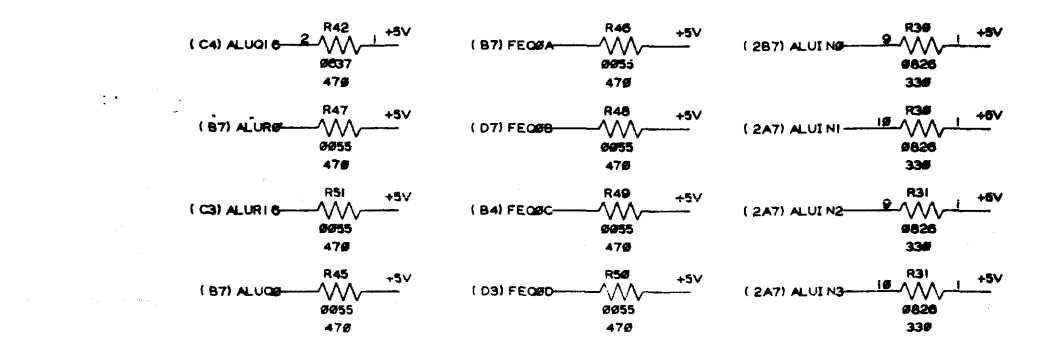
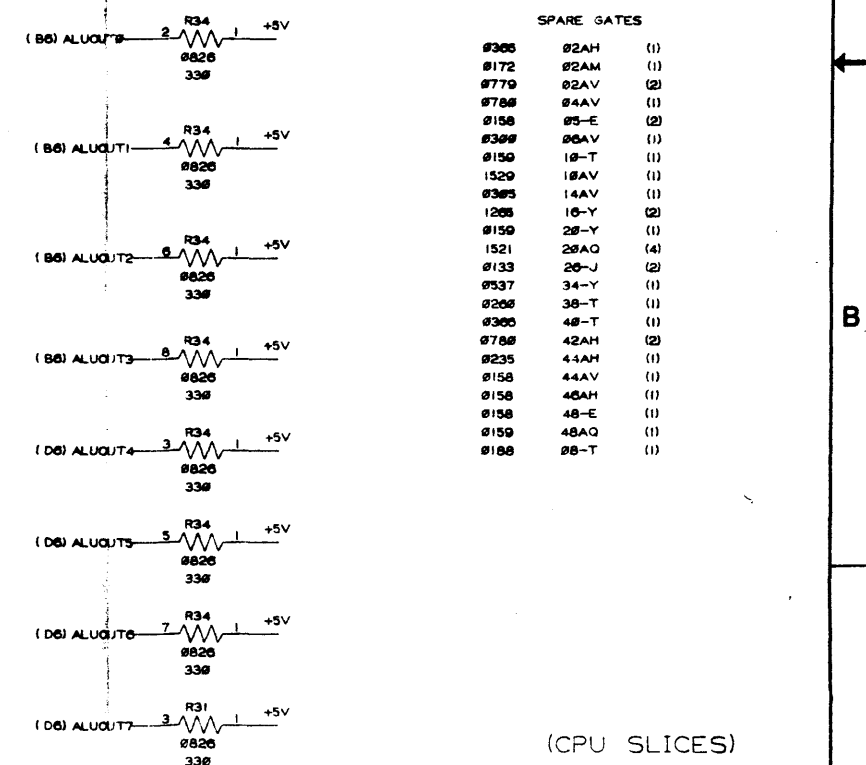
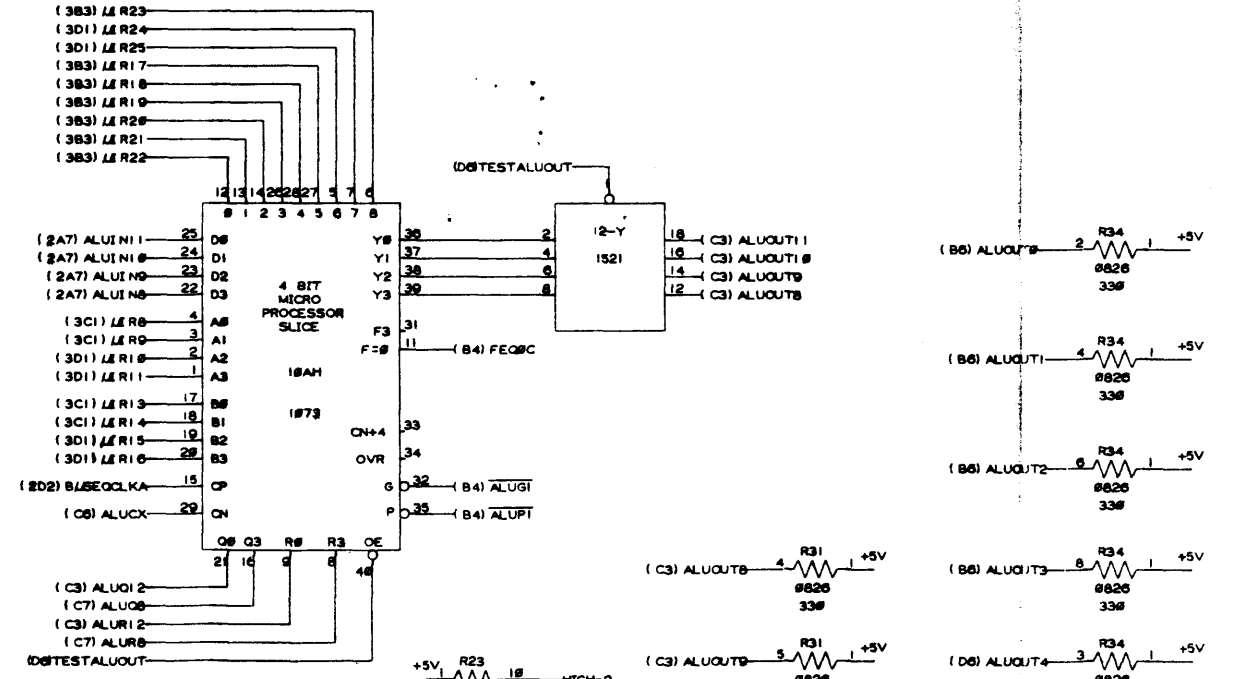
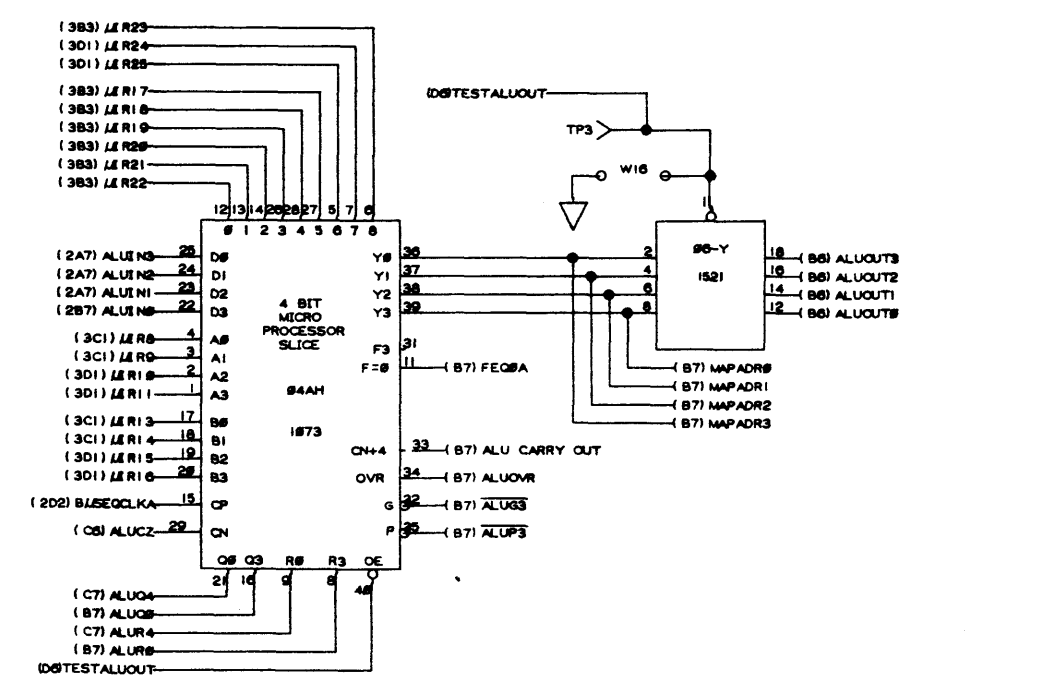
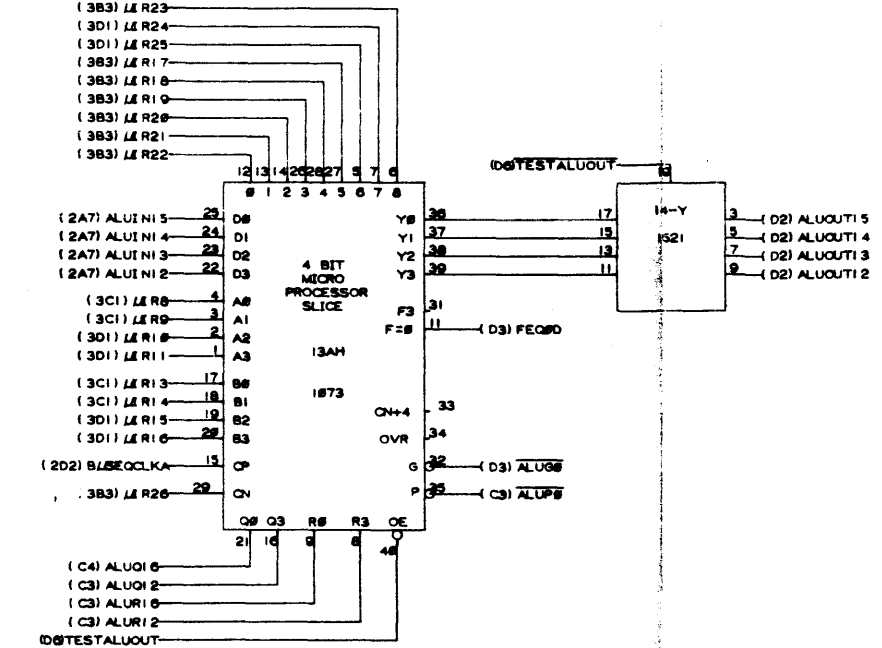
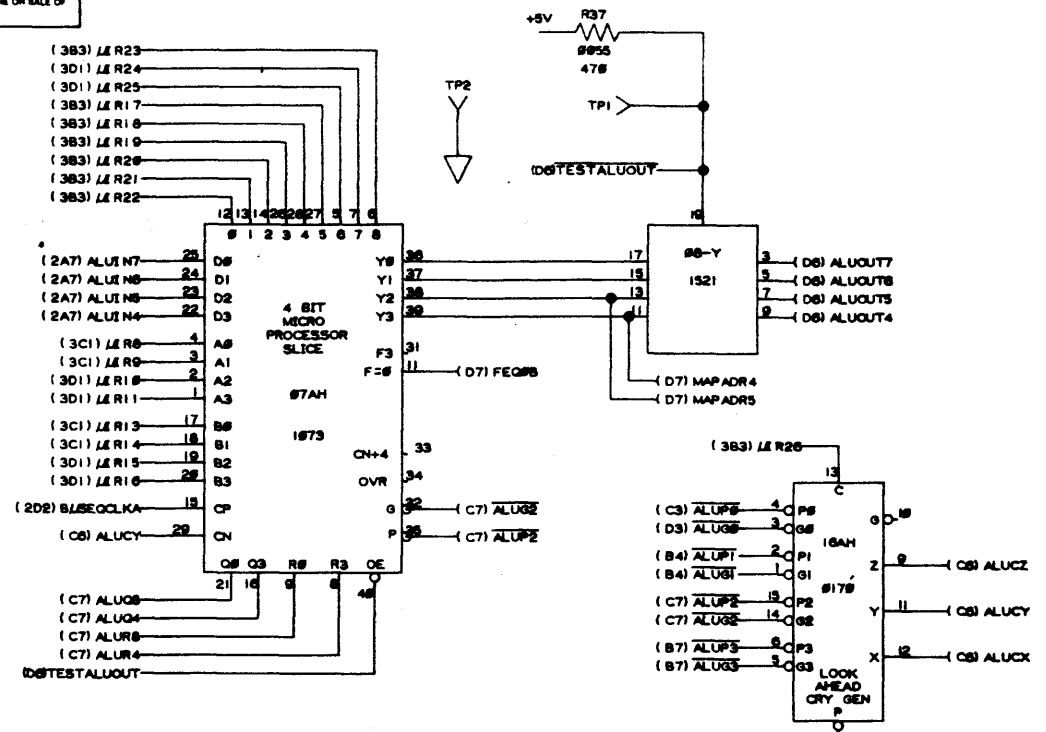


THIS DRAWING AND SPECIFICATIONS HEREIN ARE THE PROPERTY OF DATA GENERAL CORPORATION AND SHALL NOT BE REPRODUCED OR COPIED OR USED IN WHOLE OR IN PART AS THE BASIS FOR MANUFACTURE OR SALE OF ITEMS WITHOUT WRITTEN PERMISSION

REVISIONS				
REV	DESCRIPTION	DRFTG	APP BY	DATE
00				10/1/74
01	PER ECO E590	WLG	D.S.G.	2/1/75



ARTWORK: 107 949	DRAWN	10/1/74	DATA GENERAL CORPORATION SOUTHBORO MASSACHUSETTS 01772
ARTWORK VS SCHEMATIC	ENGINEERED	10/1/74	
REV SCHEMATIC REV(S)	CHECKED		TITLE
	ENGINEER	10/1/74	DGC NOVA
	APPROVED		
	FIRST USED ON		
	027212766-		
	025212067-		

SIZE CODE DRAWING NUMBER REV
D 27 20162401

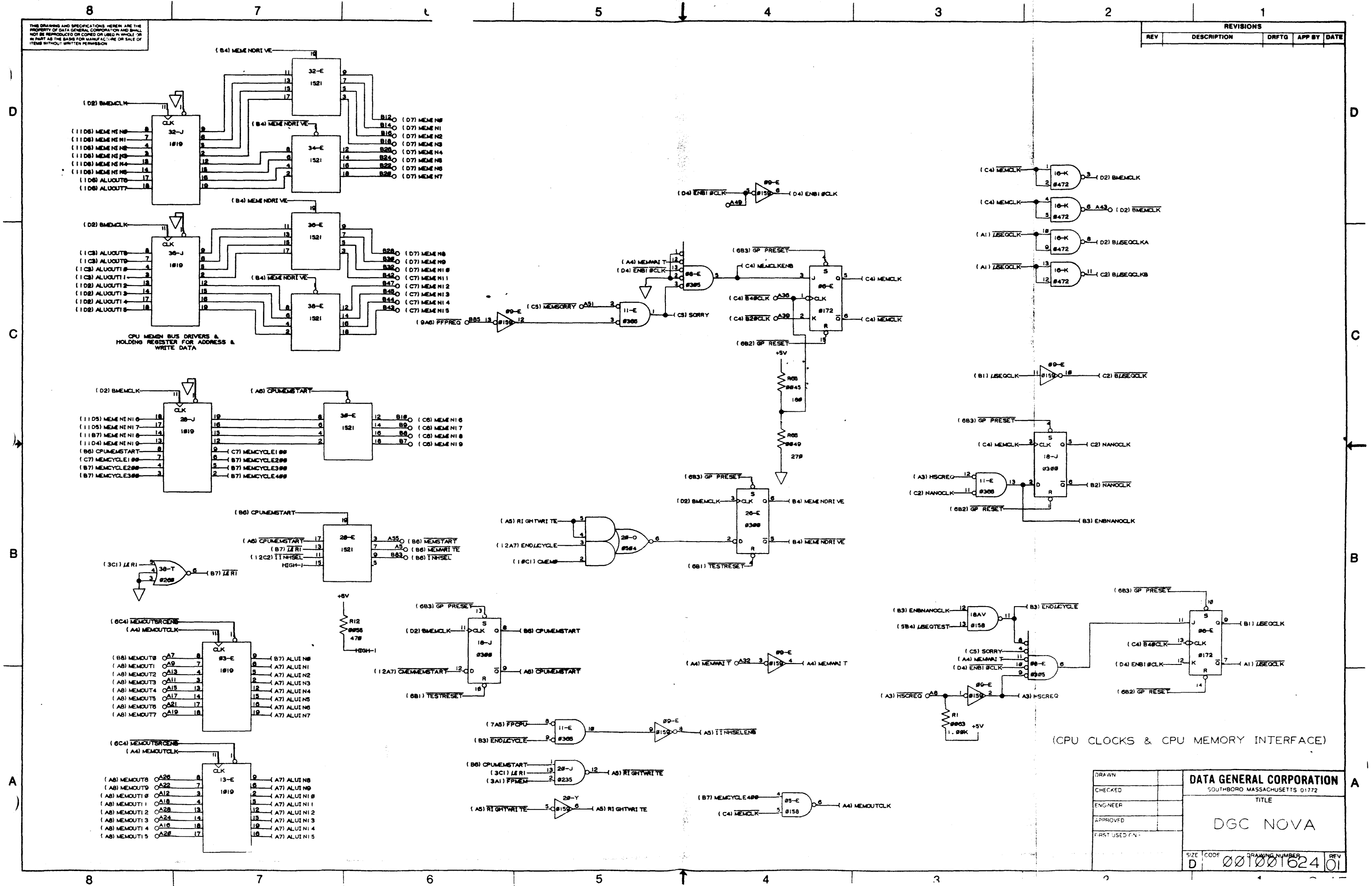
D
C
B
A

8 7 6 5 4 3 2 1

1 SHEET of 5

THIS DRAWING AND SPECIFICATIONS HEREIN ARE THE PROPERTY OF DATA GENERAL CORPORATION AND SHALL NOT BE REPRODUCED OR COPIED OR USED IN WHOLE OR IN PART AS THE BASIS FOR MANUFACTURE OR SALE OF ITEMS WITHOUT WRITTEN PERMISSION.

REVISIONS				
REV	DESCRIPTION	DRFTG	APP BY	DATE

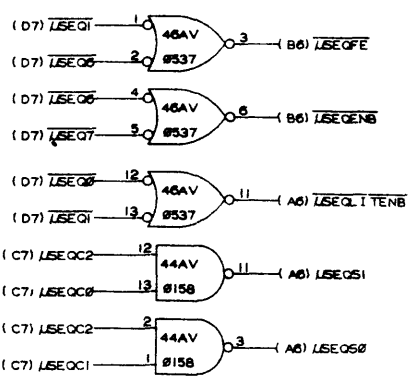
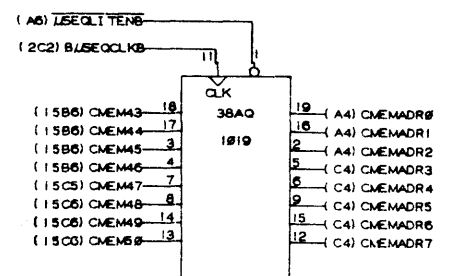
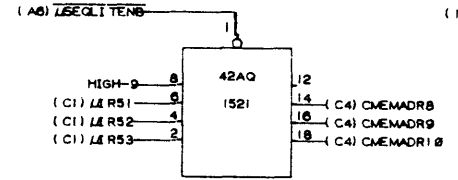
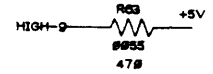
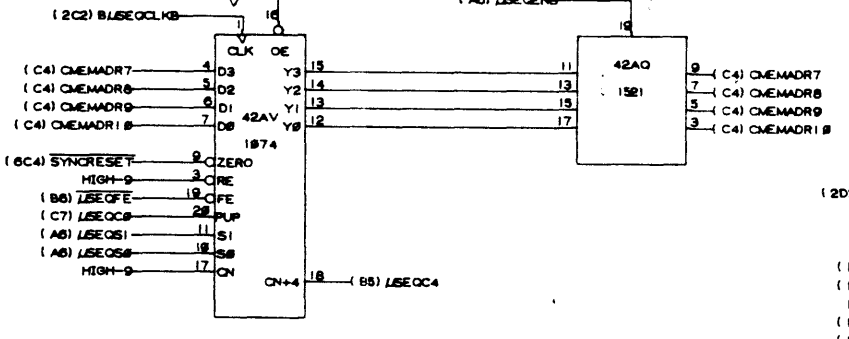
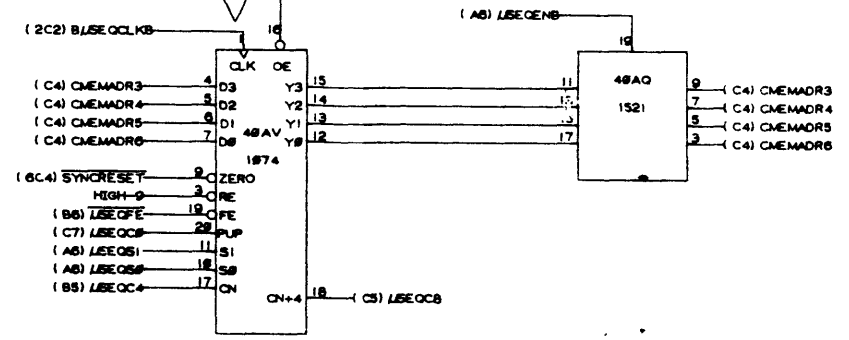
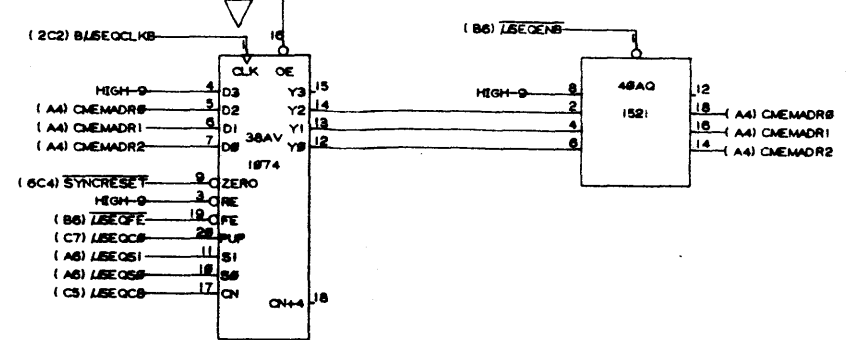
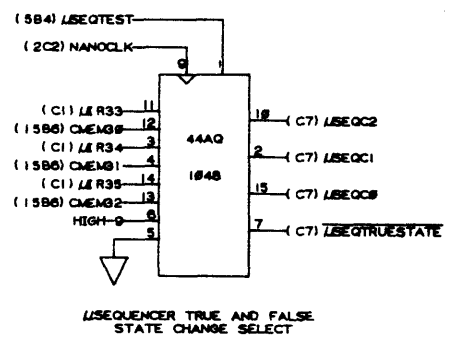
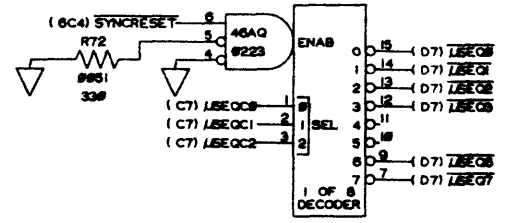


(CPU CLOCKS & CPU MEMORY INTERFACE)

DRAWN		DATA GENERAL CORPORATION SOUTH BORO, MASSACHUSETTS 01772 TITLE <h2 style="text-align: center;">DGC NOVA</h2>	
CHECKED			
ENGINEER			
APPROVED			
FIRST USED (N):			
SIZE	CODE	DRAWING NUMBER	REV
D		001001624	01

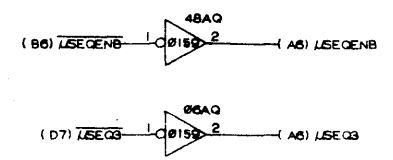
THIS DRAWING AND SPECIFICATIONS HEREIN ARE THE PROPERTY OF DATA GENERAL CORPORATION AND SHALL NOT BE REPRODUCED OR COPIED OR USED IN WHOLE OR IN PART AS THE BASIS FOR MANUFACTURE OR SALE OF ITEMS WITHOUT WRITTEN PERMISSION.

REVISIONS			
REV	DESCRIPTION	DR%	DATE

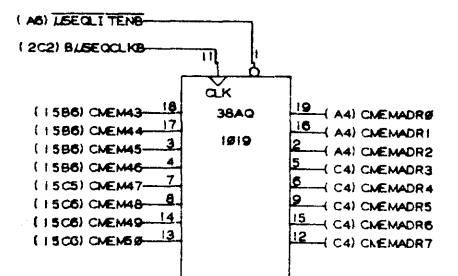
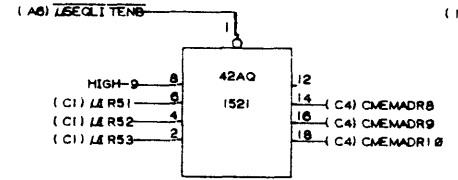
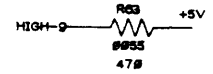


NOTE

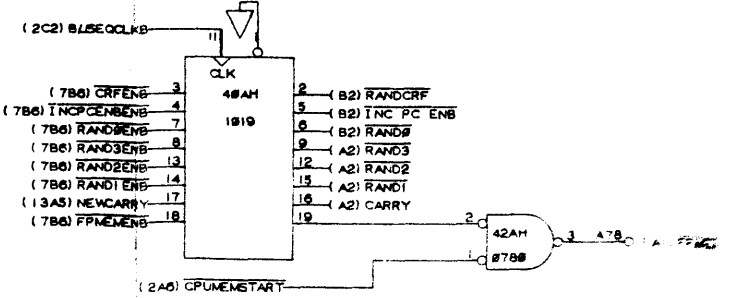
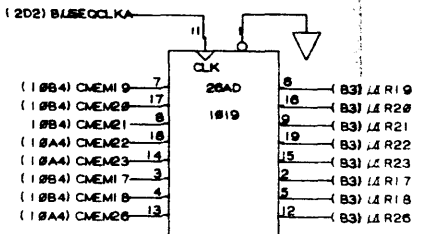
	C2	C1	C0
JUMP	0	0	0
PUSHJ	0	0	1
DECODE	0	1	0
SAGE	0	1	1
UNUSED	1	0	0
UNUSED	1	0	1
POPJ	1	1	0
CONTINUE	1	1	1



LPC & STACK FOR LSEQUENCER



LSEQUENCER JUMP ADDRESS FOR JUMP & PUSHJ LOOPS



(MICRO IR AND MICRO SEQUENCER)

DRAWN		DATA GENERAL CORPORATION 300 BROADWAY, BOSTON, MASS. 02108 TEL: 617-252-1000 FAX: 617-252-1001 DEC 1984
CHECKED		
ENGINEER		
APPROVED		
FIRST USED ON		
REV		

THIS DRAWING AND SPECIFICATIONS HEREIN ARE THE PROPERTY OF DATA GENERAL CORPORATION AND SHALL NOT BE REPRODUCED OR COPIED OR USED IN WHOLE OR IN PART AS THE BASIS FOR MANUFACTURE OR SALE OF ITEMS WITHOUT WRITTEN PERMISSION.

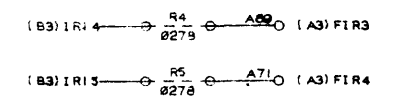
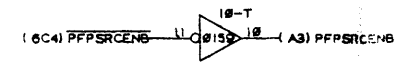
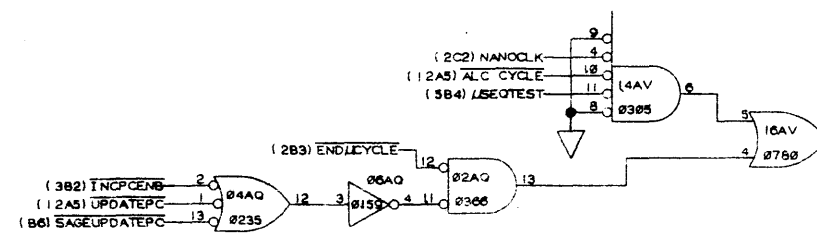
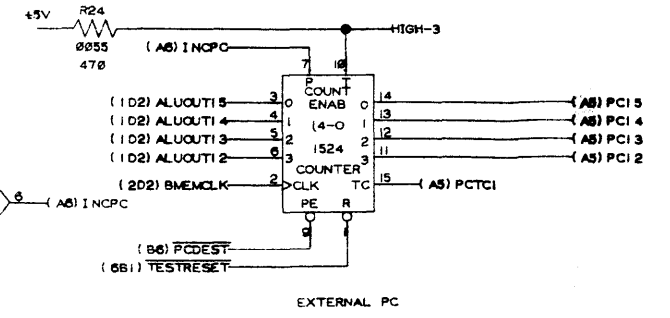
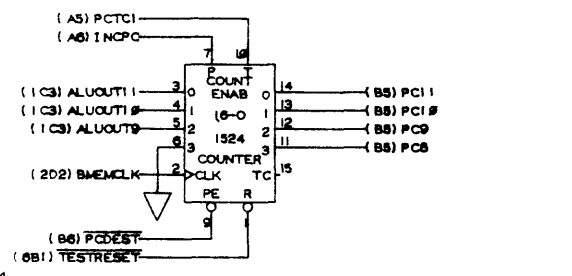
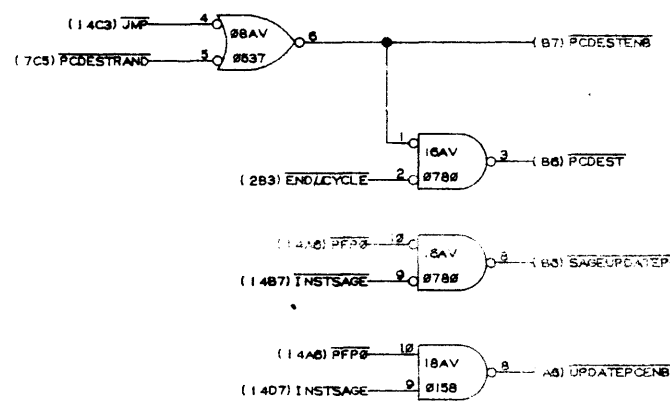
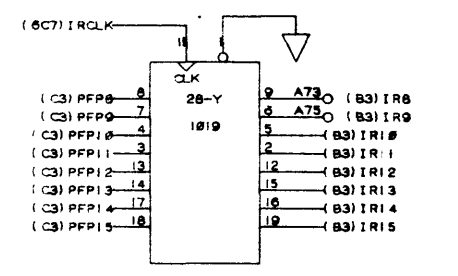
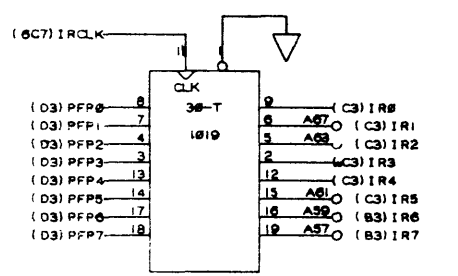
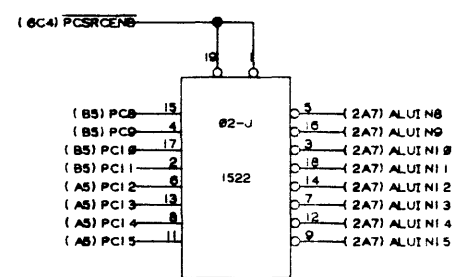
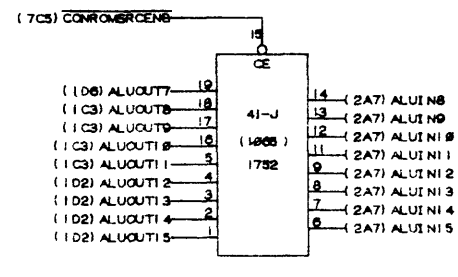
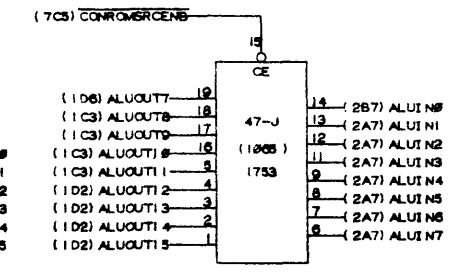
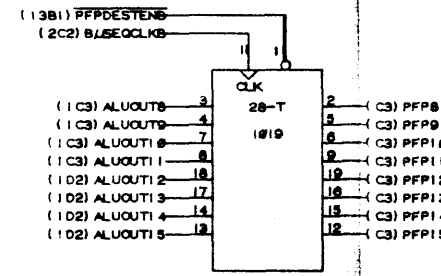
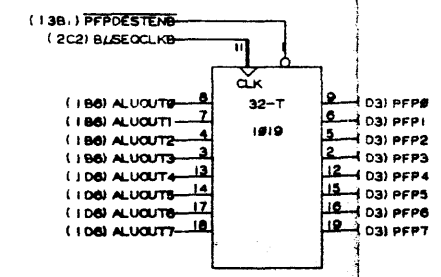
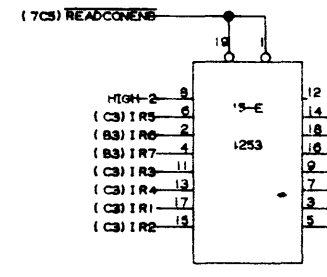
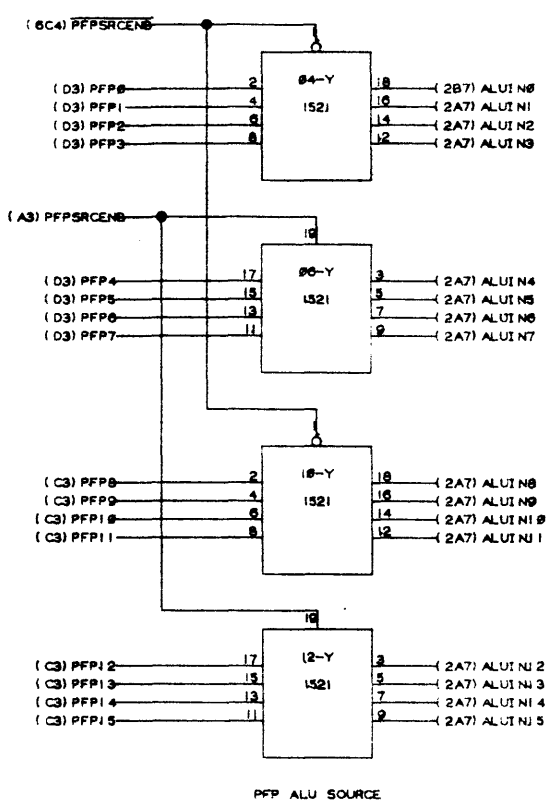
REVISIONS			
REV	DESCRIPTION	DRFTG	APP BY DATE

D

C

B

A



(PC, CONSOLE ROM, PFPSTRC, PFPDEST IR)

DRAWN		DATA GENERAL CORPORATION SOUTH BORO, MASSACHUSETTS 01772 TITLE DGC NOVA
CHECKED		
ENGINEER		
DATE		
SIZE CODE 001001624 REV 01		

D

C

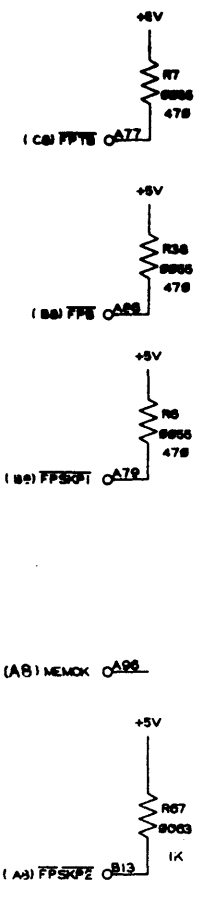
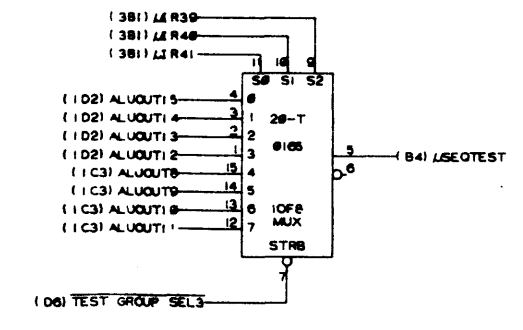
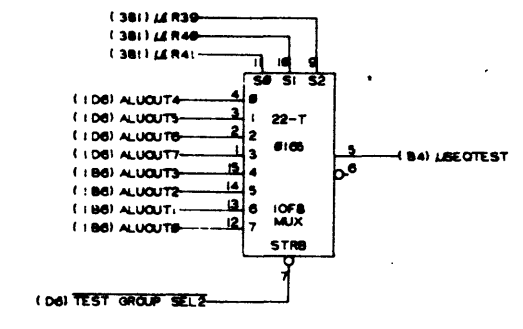
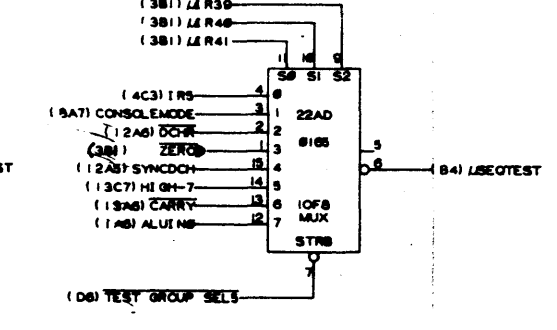
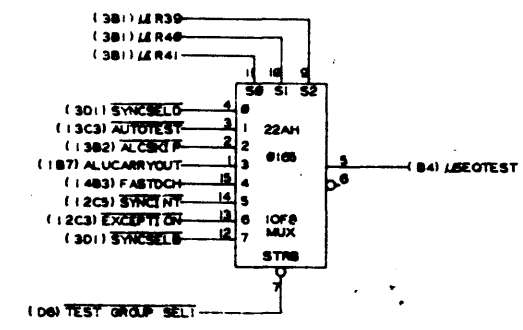
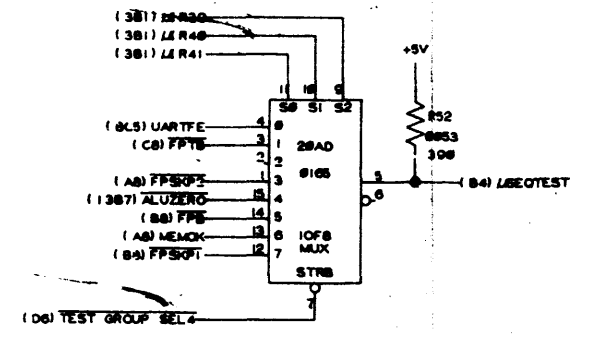
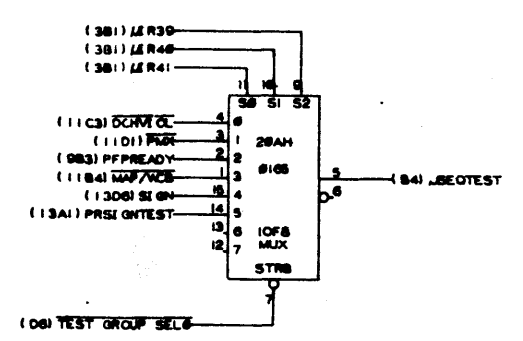
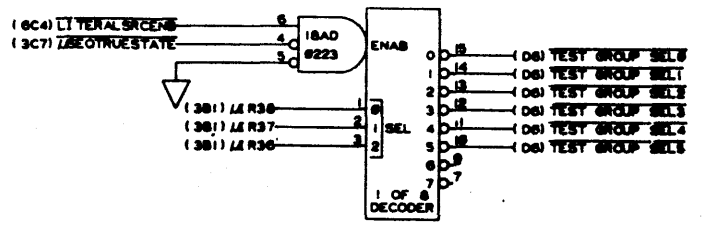
B

A

THE DIMENSIONS AND SPECIFICATIONS HEREIN ARE THE PROPERTY OF DATA GENERAL CORPORATION AND SHALL NOT BE REPRODUCED OR COPIED OR USED IN WHOLE OR IN PART AS THE BASIS FOR MANUFACTURE OR SALE OF PARTS WITHOUT WRITTEN PERMISSION.

REVISIONS			
REV	DESCRIPTION	DRAFTS	APP'D BY

D
C
B
A



NOTE TEST SELECTED BY THE SIGNAL TEST GROUP SELS ARE NEGATIVE ASSERTED ALL OTHER TESTS ARE POSITIVE ASSERTED

(DGC TEST MUX AND TEST CONDITIONS)

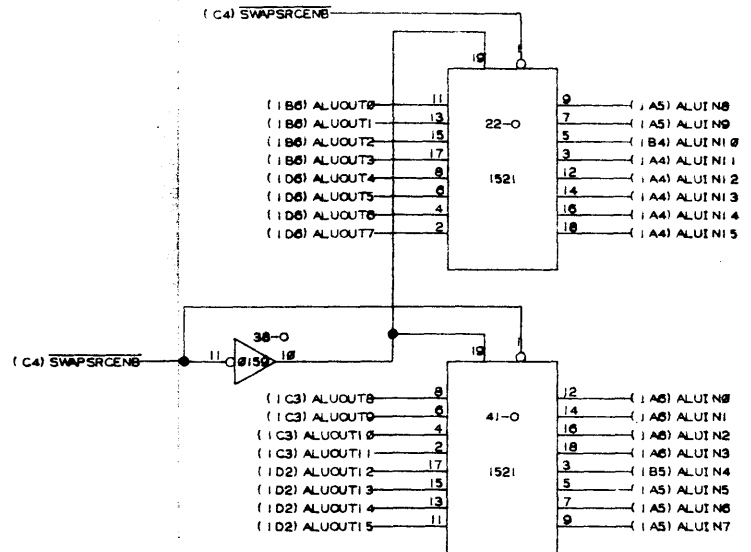
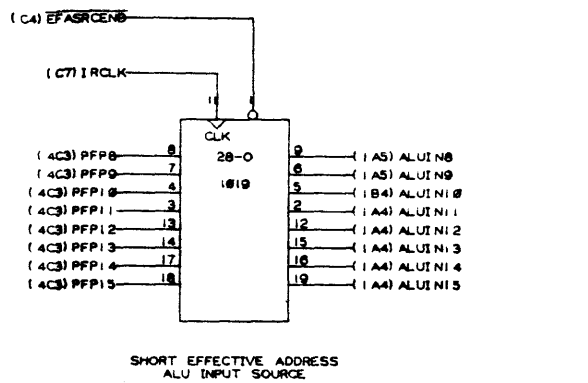
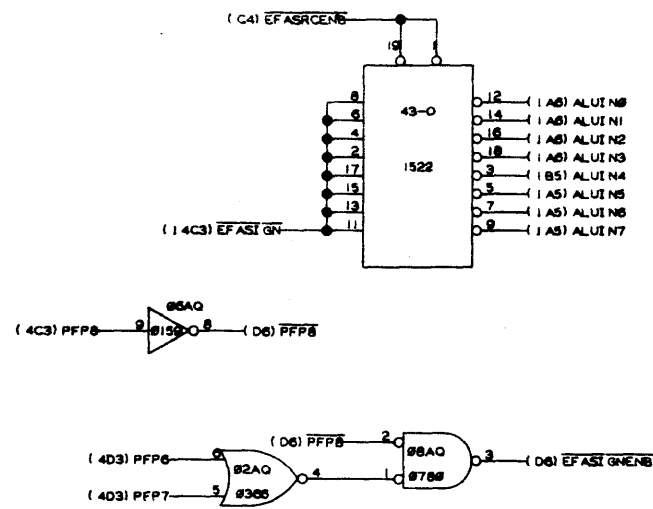
DRAWN		DATA GENERAL CORPORATION SOUTHBORO, MASSACHUSETTS 01557 TITLE DGC NO. 7A SIZE CODE DRAWING NUMBER D 0010010101
CHECKED		
ENGINEER		
APPROVED		
FIRST USED ON		

ALL DRAWINGS AND SPECIFICATIONS HEREIN ARE THE PROPERTY OF DATA GENERAL CORPORATION AND SHALL NOT BE REPRODUCED OR COPIED OR USED IN WHOLE OR IN PART AS THE BASIS FOR MANUFACTURE OR SALE OF ITEMS WITHOUT WRITTEN PERMISSION

REVISIONS				
REV	DESCRIPTION	DRFTG	APP BY	DATE

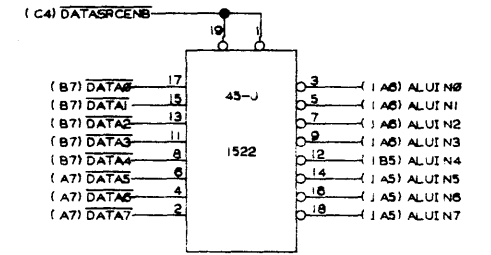
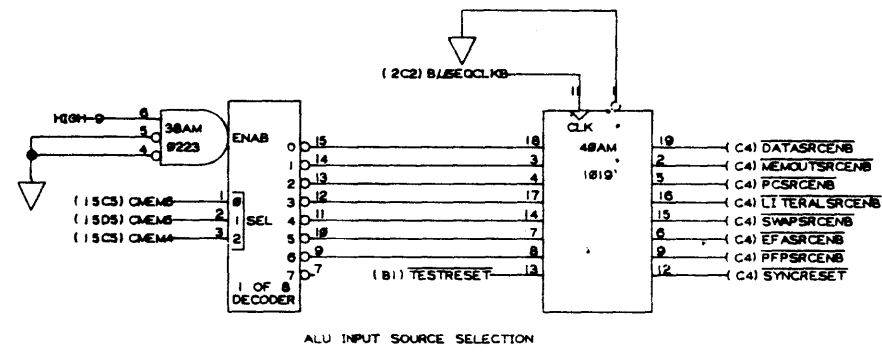
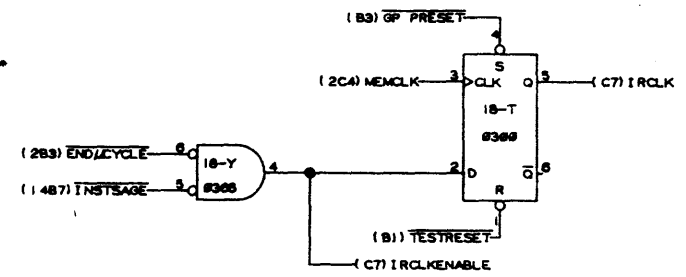
D

D



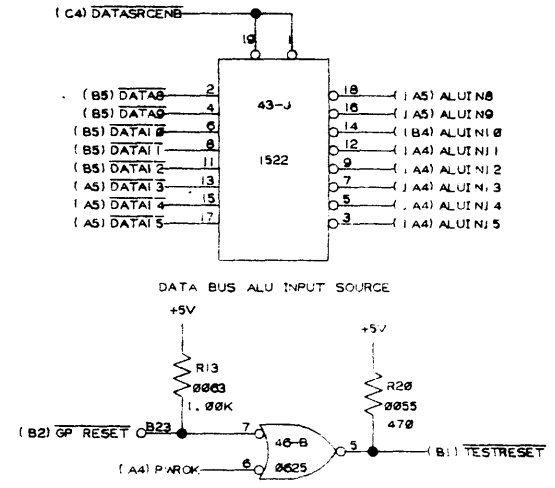
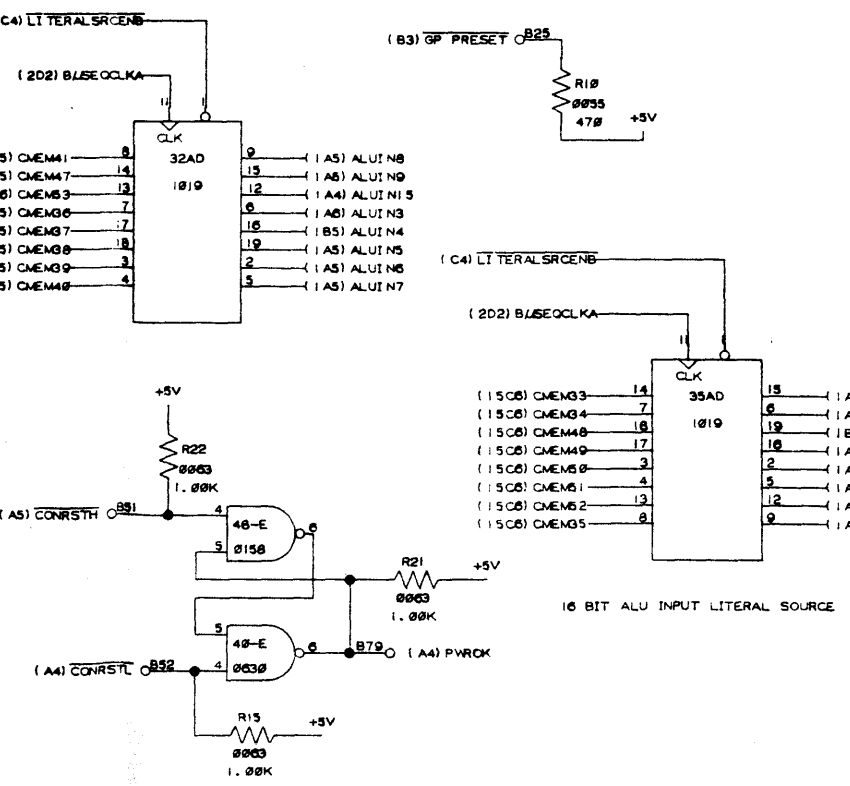
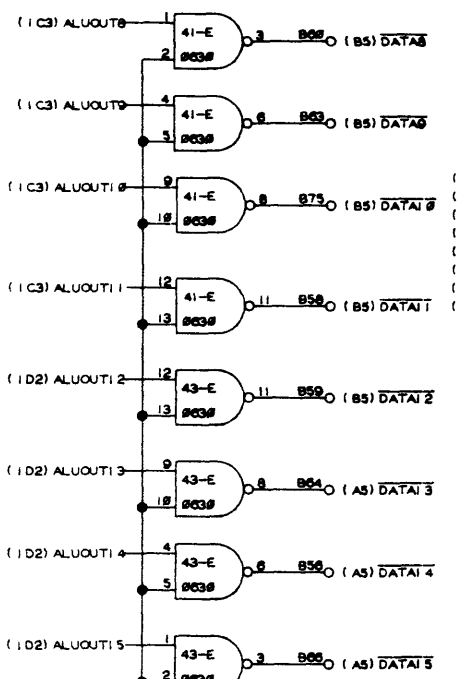
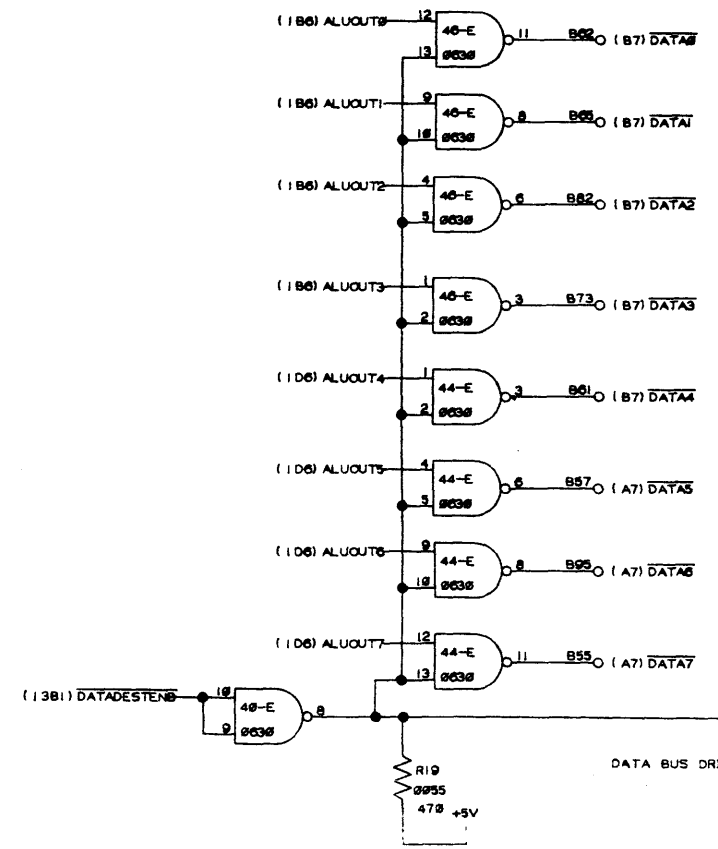
C

C



B

B



A

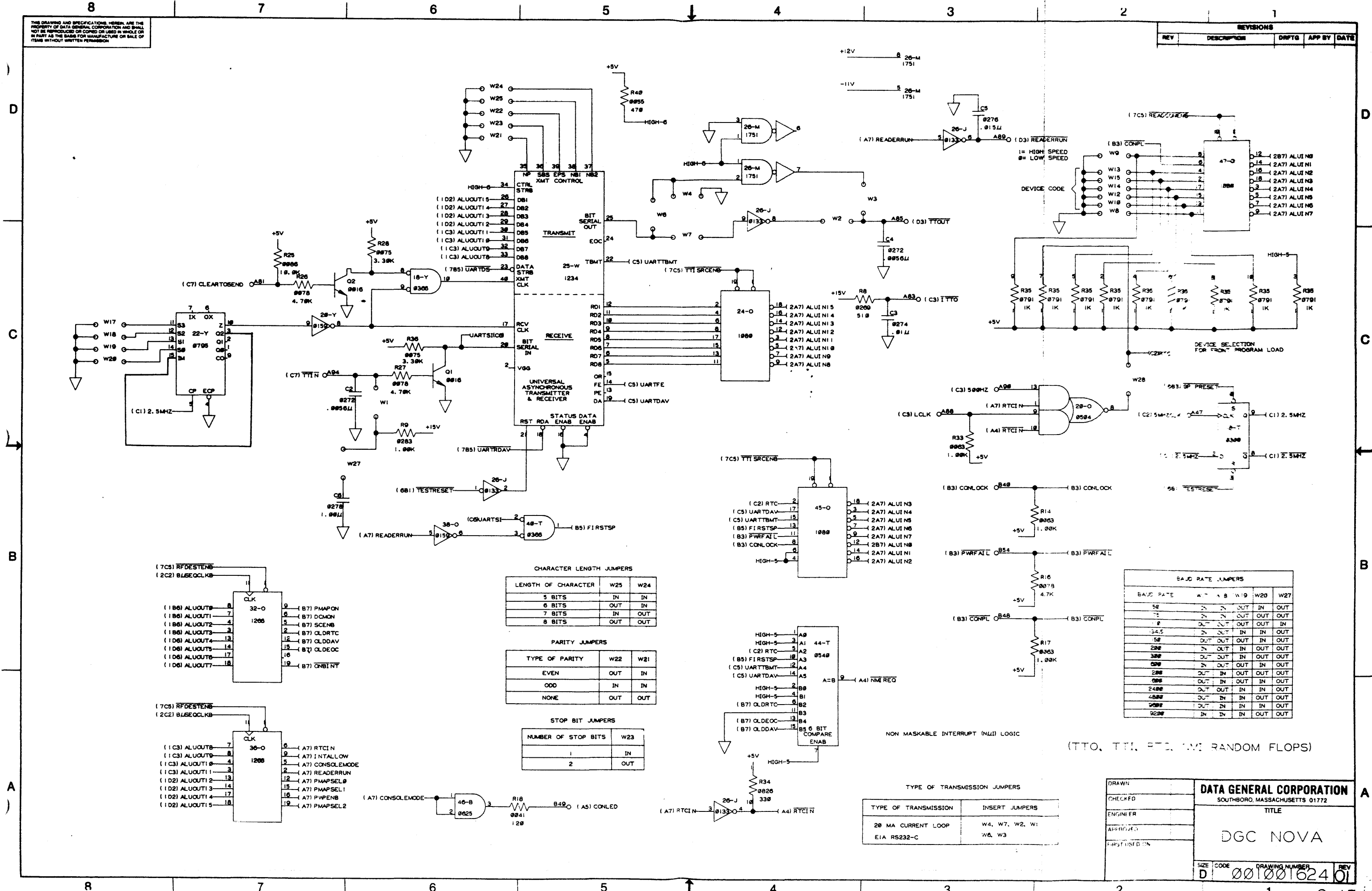
A

(SWAP AND VARIOUS M/R ENABLE DECODES)

DRAWN		DATA GENERAL CORPORATION SOUTH BORO, MASSACHUSETTS 01772 TITLE DOLBY NOVA SIZE CODE 231-71624-01
CHECKED		
ENGINEER		
APPROVED		
FIRST USED ON		

THIS DRAWING AND SPECIFICATIONS HEREIN ARE THE PROPERTY OF DATA GENERAL CORPORATION AND SHALL NOT BE REPRODUCED OR COPIED OR USED IN WHOLE OR IN PART AS THE BASIS FOR MANUFACTURE OR SALE OF ITEMS WITHOUT WRITTEN PERMISSION

REVISIONS				
REV	DESCRIPTION	DRFTG	APP BY	DATE



CHARACTER LENGTH JUMPERS

LENGTH OF CHARACTER	W25	W24
5 BITS	IN	IN
6 BITS	OUT	IN
7 BITS	IN	OUT
8 BITS	OUT	OUT

PARITY JUMPERS

TYPE OF PARITY	W22	W21
EVEN	OUT	IN
ODD	IN	IN
NONE	OUT	OUT

STOP BIT JUMPERS

NUMBER OF STOP BITS	W23
1	IN
2	OUT

BAUD RATE JUMPERS

BAUD RATE	W17	W18	W19	W20	W27
50	IN	IN	OUT	IN	OUT
75	IN	IN	OUT	OUT	OUT
100	OUT	OUT	OUT	OUT	IN
150	IN	OUT	IN	IN	OUT
200	OUT	OUT	IN	IN	OUT
300	OUT	OUT	IN	OUT	OUT
400	IN	OUT	OUT	IN	OUT
500	OUT	IN	OUT	IN	OUT
600	OUT	IN	IN	OUT	OUT
800	OUT	IN	IN	OUT	OUT
1200	IN	IN	IN	OUT	OUT

TYPE OF TRANSMISSION JUMPERS

TYPE OF TRANSMISSION	INSERT JUMPERS
20 MA CURRENT LOOP	W4, W7, W2, W1
EIA RS232-C	W6, W3

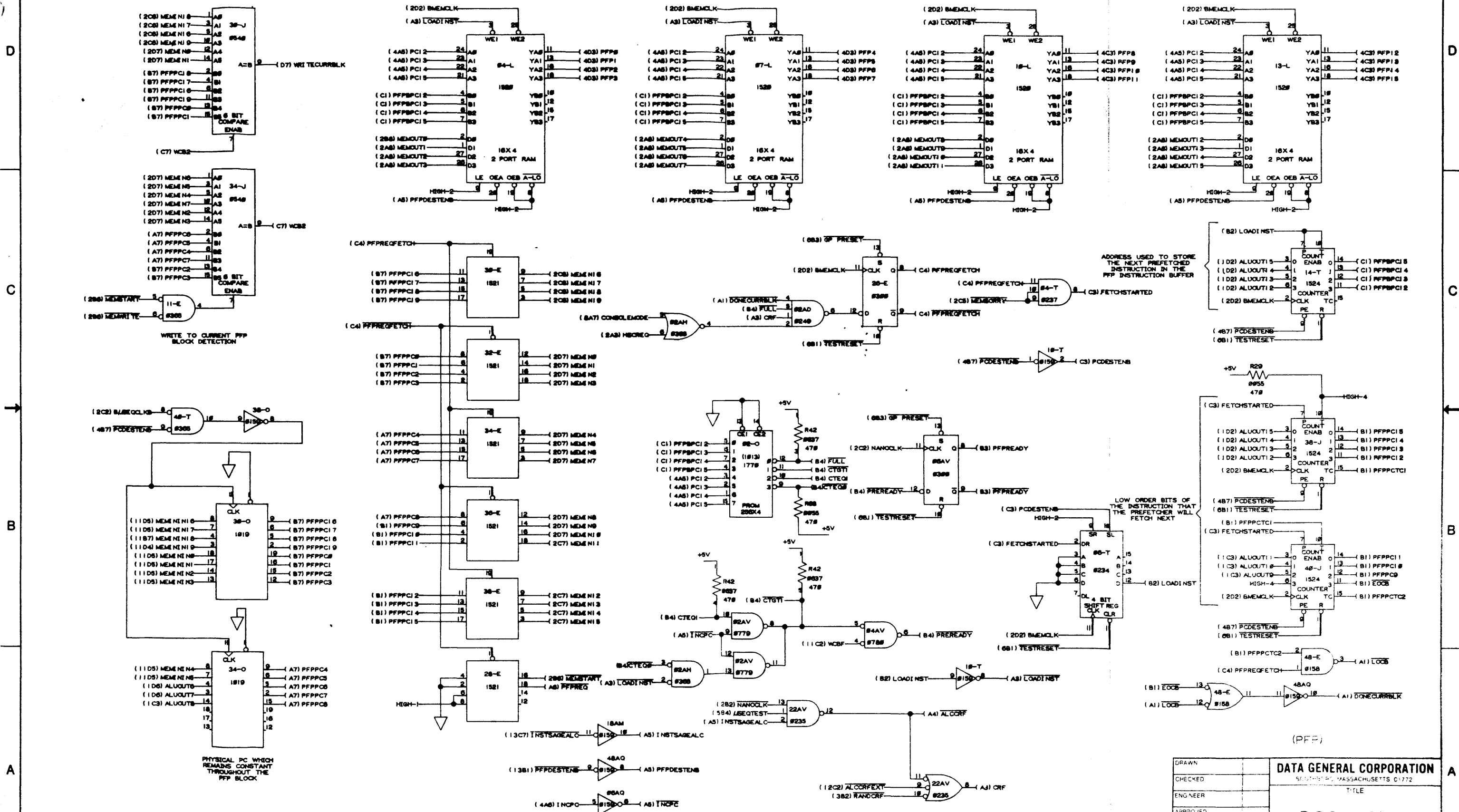
(TTO, TTI, RTC, RWI RANDOM FLOPS)

DRAWN	DATA GENERAL CORPORATION SOUTHBORO, MASSACHUSETTS 01772 TITLE DGC NOVA
CHECKED	
ENGINEER	
APPROVED	
FIRST LISTED ON	SIZE CODE DRAWING NUMBER REV D 001001624 01

REVISIONS				
REV	DESCRIPTION	DRFTG	APP BY	DATE

THIS DRAWING AND SPECIFICATIONS, HEREIN ARE THE PROPERTY OF DATA GENERAL CORPORATION AND SHALL NOT BE REPRODUCED OR COPIED OR USED IN WHOLE OR IN PART AS THE BASIS FOR MANUFACTURE OR SALE OF ITEMS WITHOUT WRITTEN PERMISSION

PPF INSTRUCTION STORAGE BUFFER



DRAWN	DATA GENERAL CORPORATION SOUTH BRIDGE, MASSACHUSETTS 01772 TITLE <h3>DGC NOVA</h3>		
CHECKED			
ENGINEER			
APPROVED			
FIRST USED ON			
SIZE	CODE	ISSUE NUMBER	REV
D	00	001624	01

8

7

6

5

4

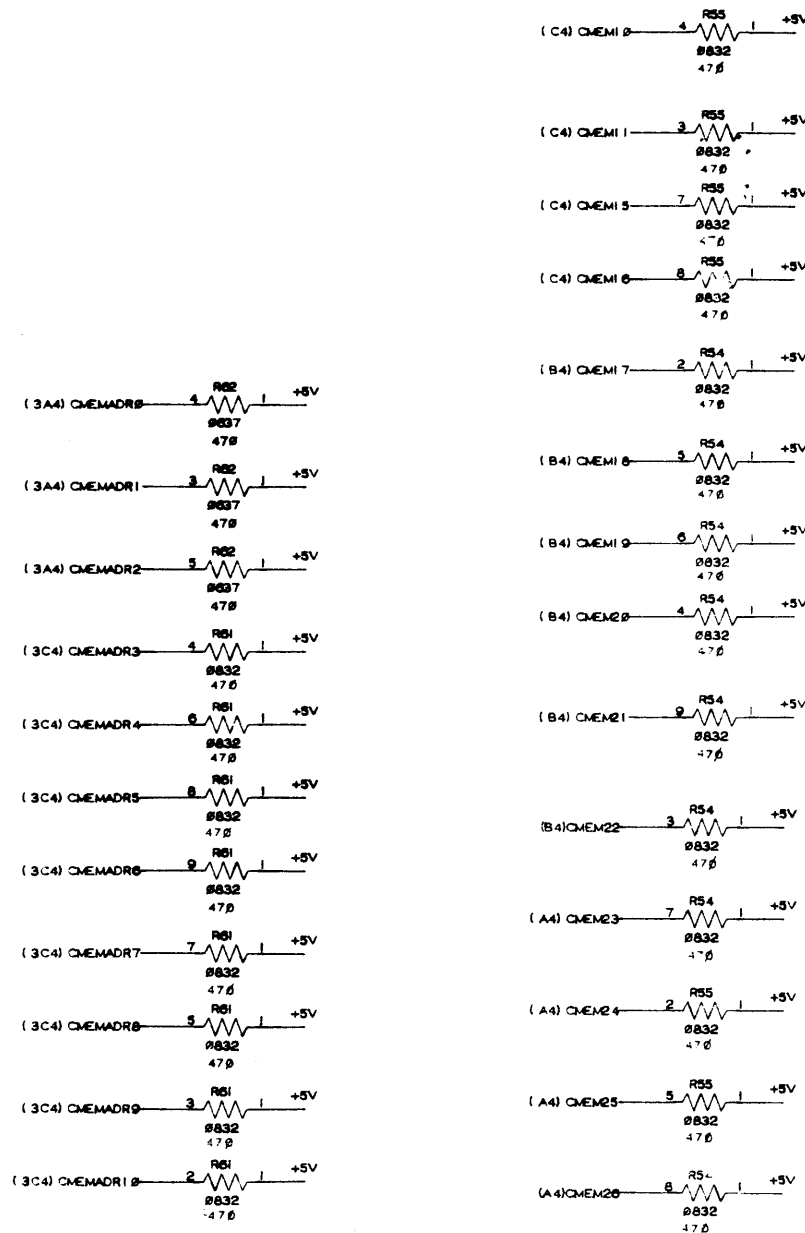
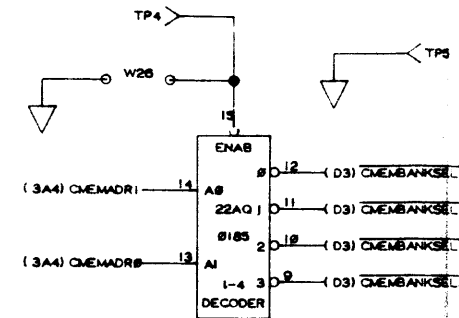
3

2

1

3 DRAWING AND SPECIFICATIONS HEREIN ARE THE PROPERTY OF DATA GENERAL CORPORATION AND SHALL NOT BE REPRODUCED OR COPIED OR USED IN WHOLE OR IN PART AS THE BASIS FOR MANUFACTURE OR SALE OF ANY PRODUCT WITHOUT WRITTEN PERMISSION

REVISIONS				
REV	DESCRIPTION	DRFTG	APP BY	DATE



(CONTROL ROMARRAY)

DRAWN		DATA GENERAL CORPORATION SOUTH-BORO MASSACHUSETTS 01772 TITLE DG: 110VA
CHECKED		
ENGINEER		
APPROVED		
FIRST USED IN		SIZE CODE: D PART NUMBER: 02100162401 REV: 01

8

7

6

5

4

3

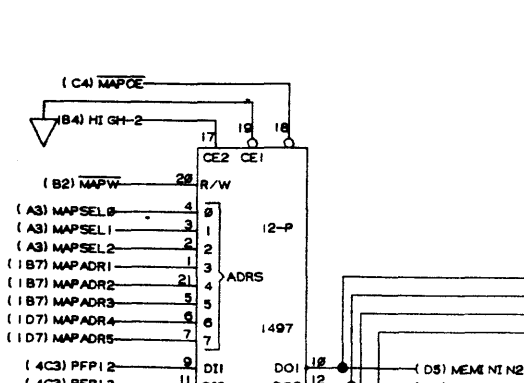
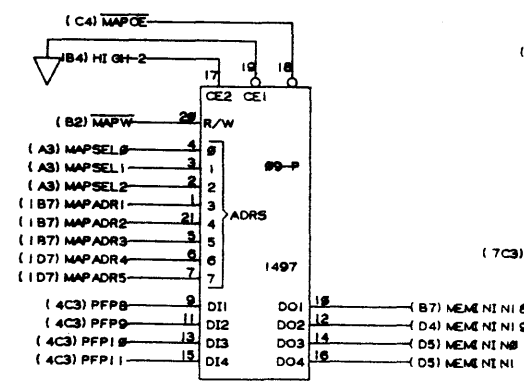
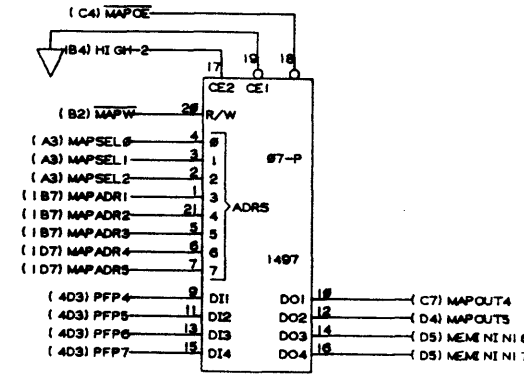
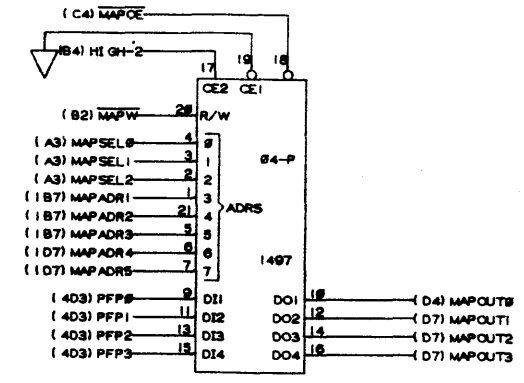
2

1

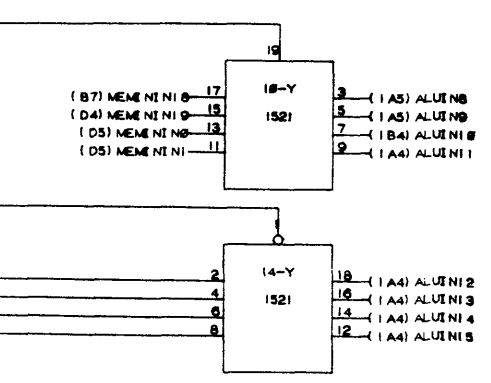
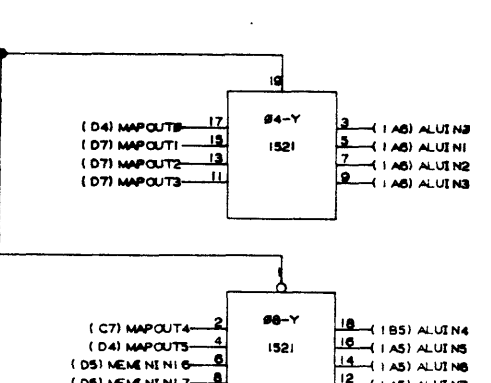
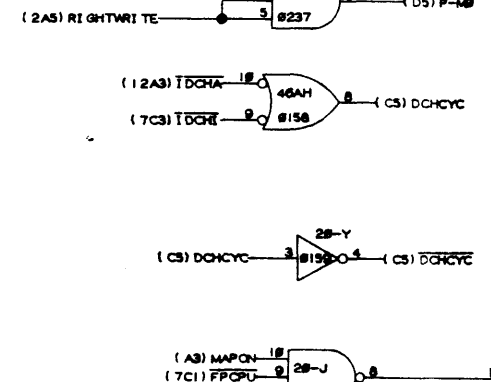
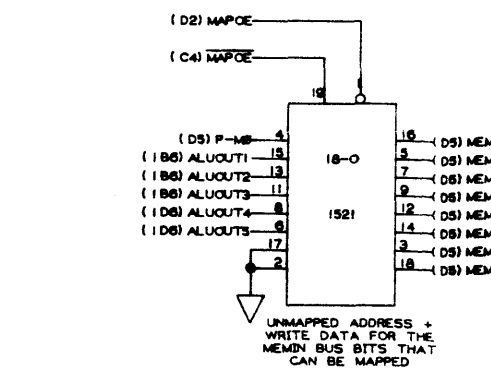
10 15

THIS DRAWING AND SPECIFICATIONS, HEREIN, ARE THE PROPERTY OF DATA GENERAL CORPORATION AND SHALL NOT BE REPRODUCED OR COPIED OR USED IN WHOLE OR IN PART AS THE BASIS FOR MANUFACTURE OR SALE OF ITEMS WITHOUT WRITTEN PERMISSION.

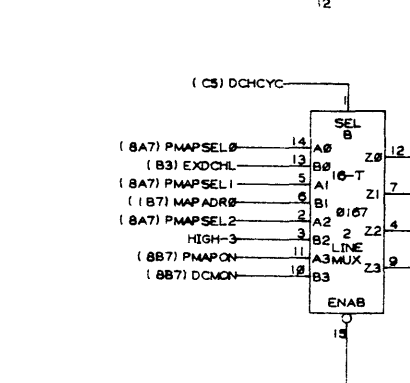
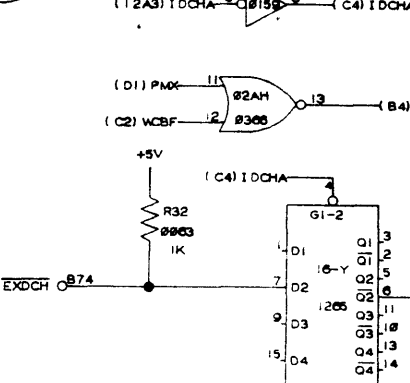
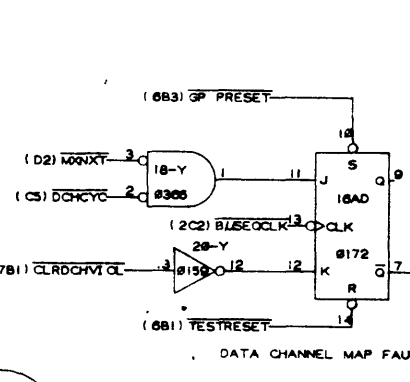
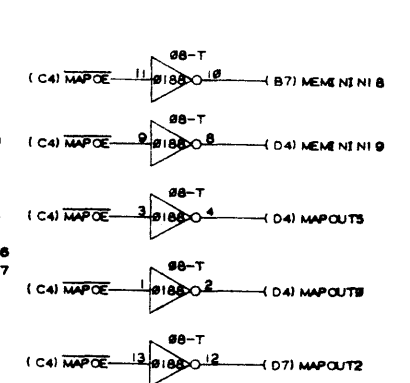
REVISIONS				
REV	DESCRIPTION	DRFTG	APP BY	DATE



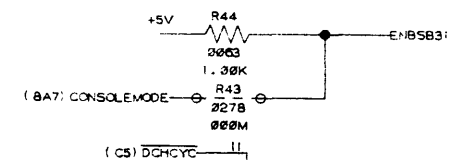
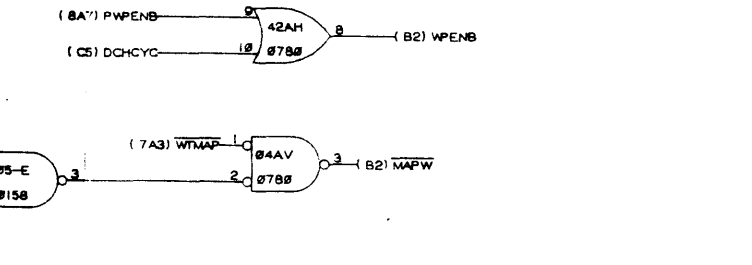
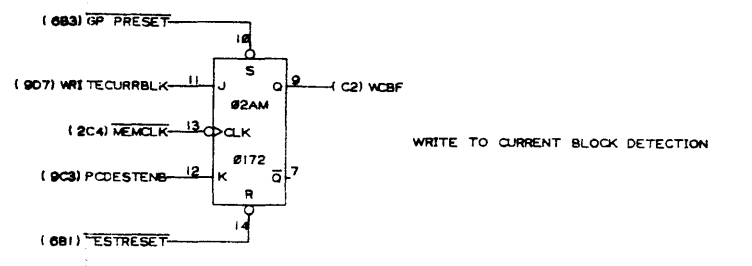
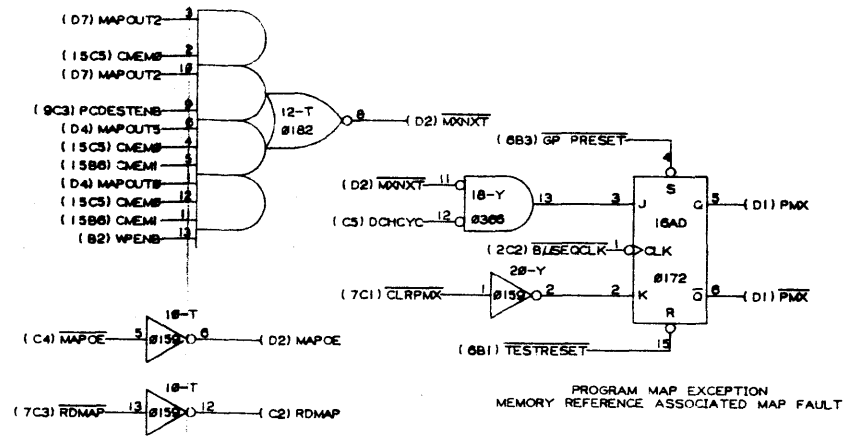
256K16 SCRATCHPAD RAM INCLUDES MAP ENTRIES



SCRATCHPAD RAM ALU INPUT SOURCE



MAP SELECT FPR PROGRAM/DCH



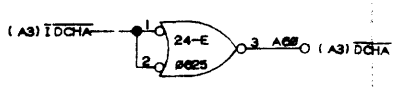
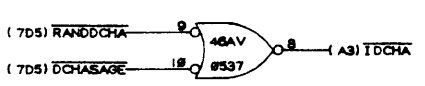
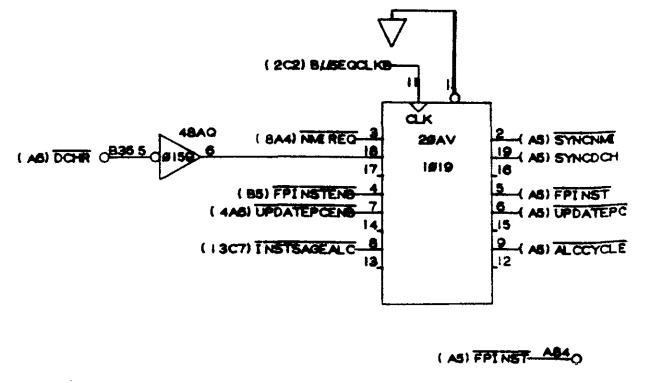
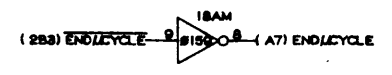
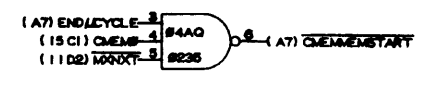
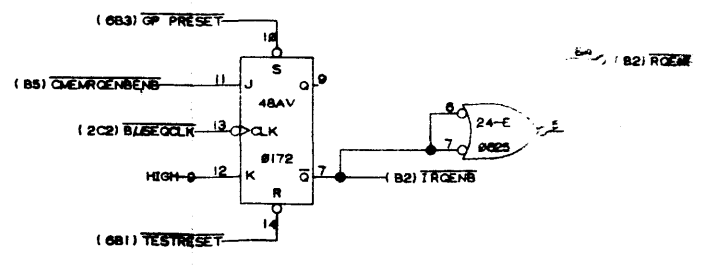
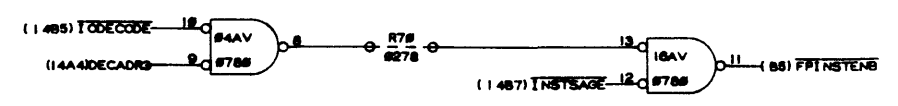
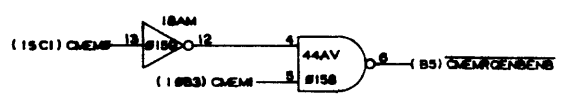
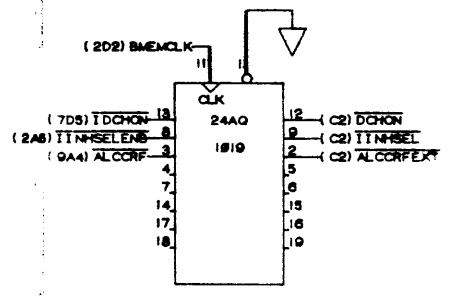
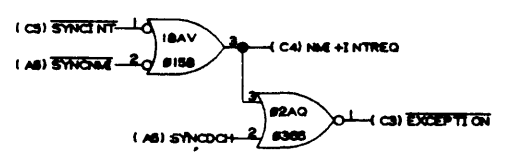
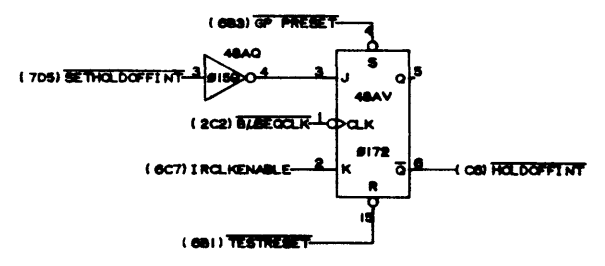
SUPERVISOR BLOCK 31 MEMORY REFERENCE DETECTION

(MAP)

DRAWN		DATA GENERAL CORPORATION SOUTHBORO, MASSACHUSETTS 01772 TITLE DGC NOVA SIZE CODE DRAWING NUMBER REV D 00100 624 01
CHECKED		
ENGINEER		
APPROVED		
FIRST USED IN		

THIS DRAWING AND SPECIFICATIONS HEREIN ARE THE PROPERTY OF DATA GENERAL CORPORATION AND SHALL NOT BE REPRODUCED OR COPIED OR USED IN WHOLE OR IN PART AS THE BASIS FOR MANUFACTURE OR SALE OF ITEMS WITHOUT WRITTEN PERMISSION

REV	DESCRIPTION	DATE	APPROVED

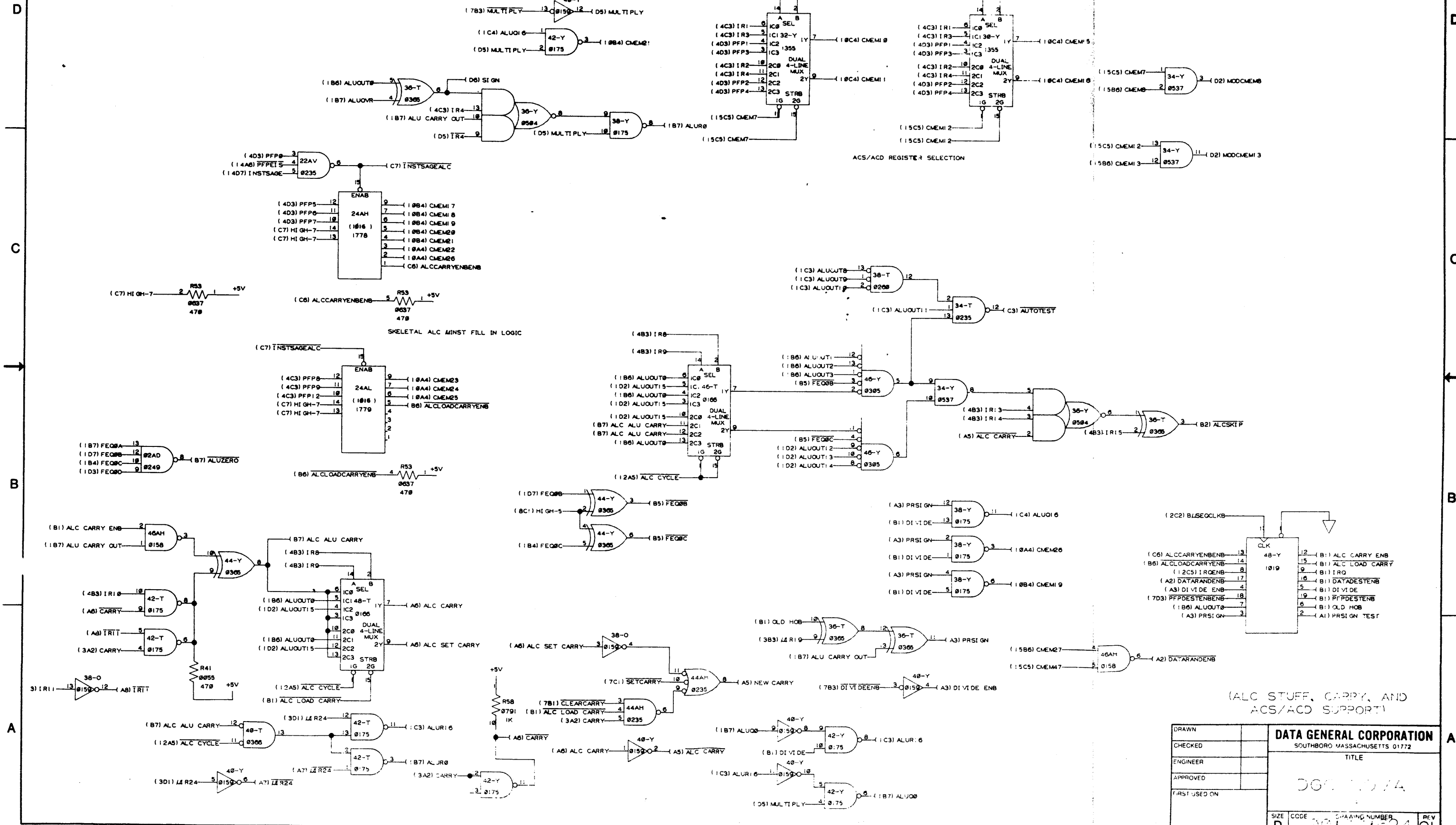


(MEMORY CONTROL DATA CHANNEL INTERPRET LOG)

DRAWN	DATA GENERAL CORPORATION 11000 N. DEWEEB RICHMOND, MASSACHUSETTS 01912 DATA GENERAL REV 12401 12 of 15
CHECKED	
ENGINEER	
APPROVED	
FIRST USED ON	

THIS DRAWING AND SPECIFICATIONS HEREIN ARE THE PROPERTY OF DATA GENERAL CORPORATION AND SHALL NOT BE REPRODUCED OR COPIED OR USED IN WHOLE OR IN PART AS THE BASIS FOR MANUFACTURE OR SALE OF ITEMS WITHOUT WRITTEN PERMISSION

REVISIONS				
REV	DESCRIPTION	DRFTG	APP BY	DATE

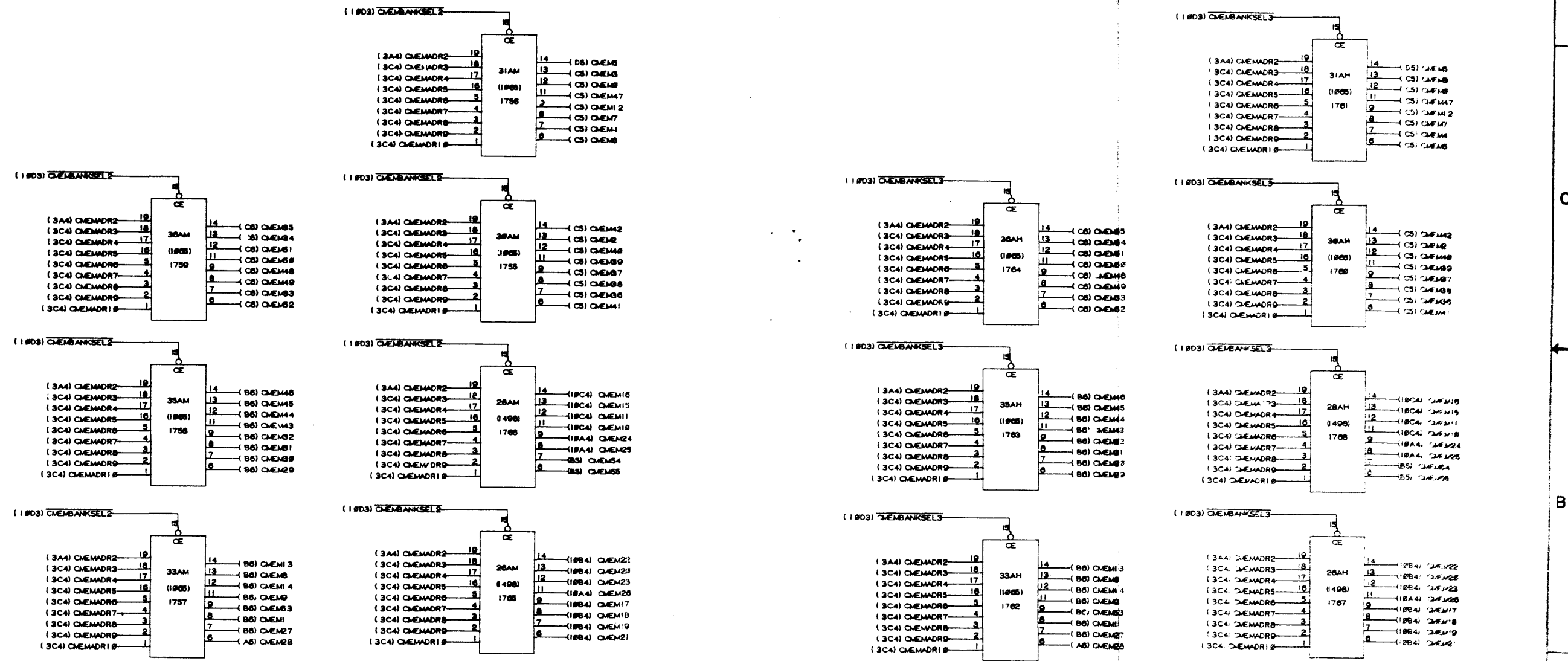


(ALU STUFF, CARRY, AND ACS/ACD SUPPORT)

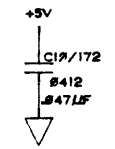
DRAWN		DATA GENERAL CORPORATION SOUTHBORO MASSACHUSETTS 01772 TITLE 300 1074 SIZE CODE 301 1324 01 REV
CHECKED		
ENGINEER		
APPROVED		
FIRST USED ON		
SHEET 2 of 2		

THIS DRAWING AND SPECIFICATIONS HEREIN ARE THE PROPERTY OF DATA GENERAL CORPORATION AND SHALL NOT BE REPRODUCED OR COPIED OR USED IN WHOLE OR IN PART AS THE BASIS FOR MANUFACTURE OR SALE OF ITEMS WITHOUT WRITTEN PERMISSION

REVISIONS				
REV	DESCRIPTION	DRFTG	APP BY	DATE



CONTROL MEMORY ADDRESSES 2998₈ TO 2777₈



CONTROL MEMORY ADDRESSES 3008₈ TO 2777₈

(CONTROL ROM BANK A)

DRAWN		DATA GENERAL CORPORATION SOUTHBRIDGE, MASSACHUSETTS 01772 TITLE DGC NOVA SIZE CODE D 27 77 02401
CHECKED		
ENGINEER		
APPROVED		
FIRST DESIGN		REV