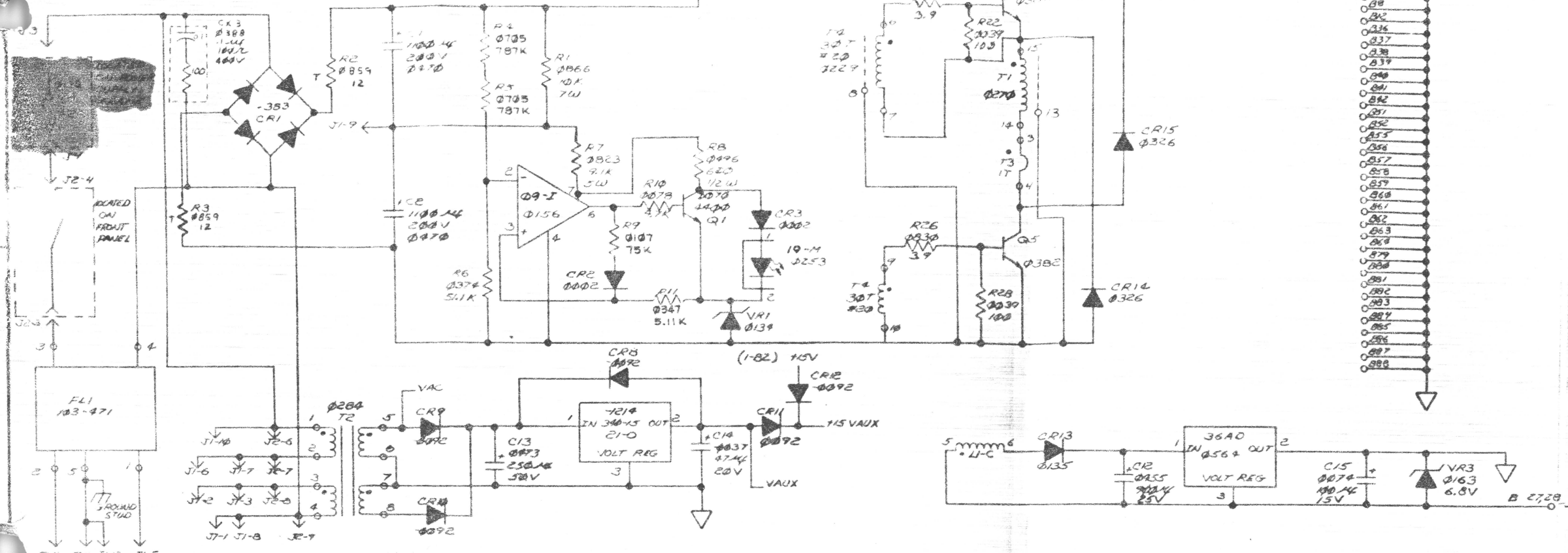
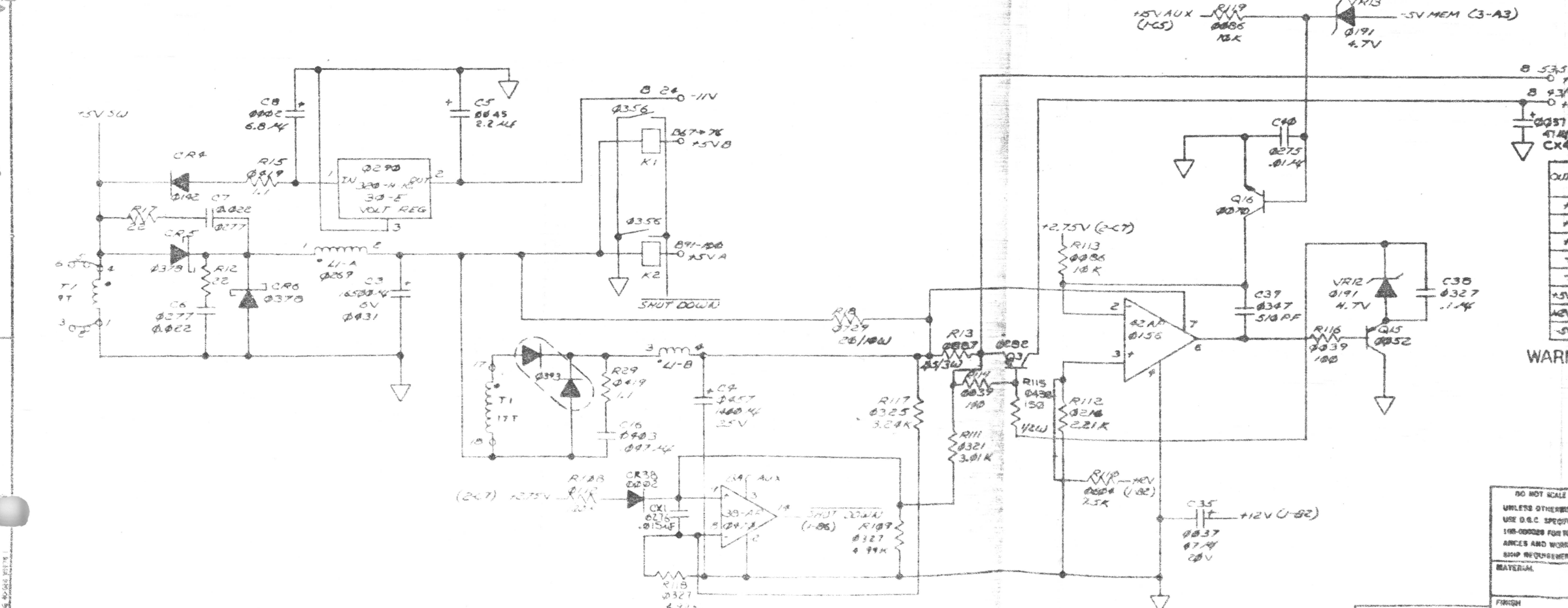


THIS DRAWING AND SPECIFICATIONS HEREBY ARE THE PROPERTY OF DATA GENERAL CORPORATION AND SHALL NOT BE REPRODUCED OR COPIED OR USED IN WHOLE OR IN PART AS THE BASIS FOR MANUFACTURE OR SALE OF ITEMS WITHOUT WRITTEN PERMISSION

REVISIONS				
REV	DESCRIPTION	DRFTG	APP BY	DATE
00	PER ECO* L 172			1/77
01	PER ECO* FB41			2/77
02	SEE ECO* FB92			4/77
03	SEE ECO* G716			4/77



- NOTES:
- 1) R1, R2, R3 NOT INSTALLED WHEN BATTERY BACKUP OPTION IS INSTALLED.
  - 2) C1/C2 ARE A MATCHED PAIR.
  - 3) SET R142 FOR BATT = 7.05 VOLTS WHEN BATTERY IS CHARGED.
  - 4) SET R48 FOR +5VA = 5.15V AT POWER SUPPLY EDGE CONNECTOR



OUTPUT	VOLTAGE		CURRENT	
	MIN.	MAX.	MIN.	MAX.
+5V	4.95V	5.2	5A	35A
+12V	11.7V	12.7V	0	3A
+15V	14.0V	16.0V	0	1.5A
-5V	4.75V	5.25V	0	1.5A
-12V	11.0V	12.5V	0	0.25A
+5V MEM	4.95V	5.2V	0	1A
+12V MEM	11.3V	12.7V	0	0.3A
-5V MEM	4.75V	5.25V	0	0.5A

5A MAX TOTAL

WARNING! - HAZARDOUS VOLTAGES EXIST ON THIS UNIT. SERVICE MUST BE PERFORMED BY QUALIFIED PERSONNEL.

ITER	QTY	DESCRIPTION	PART NO
1	1	300W POWER SUPPLY	

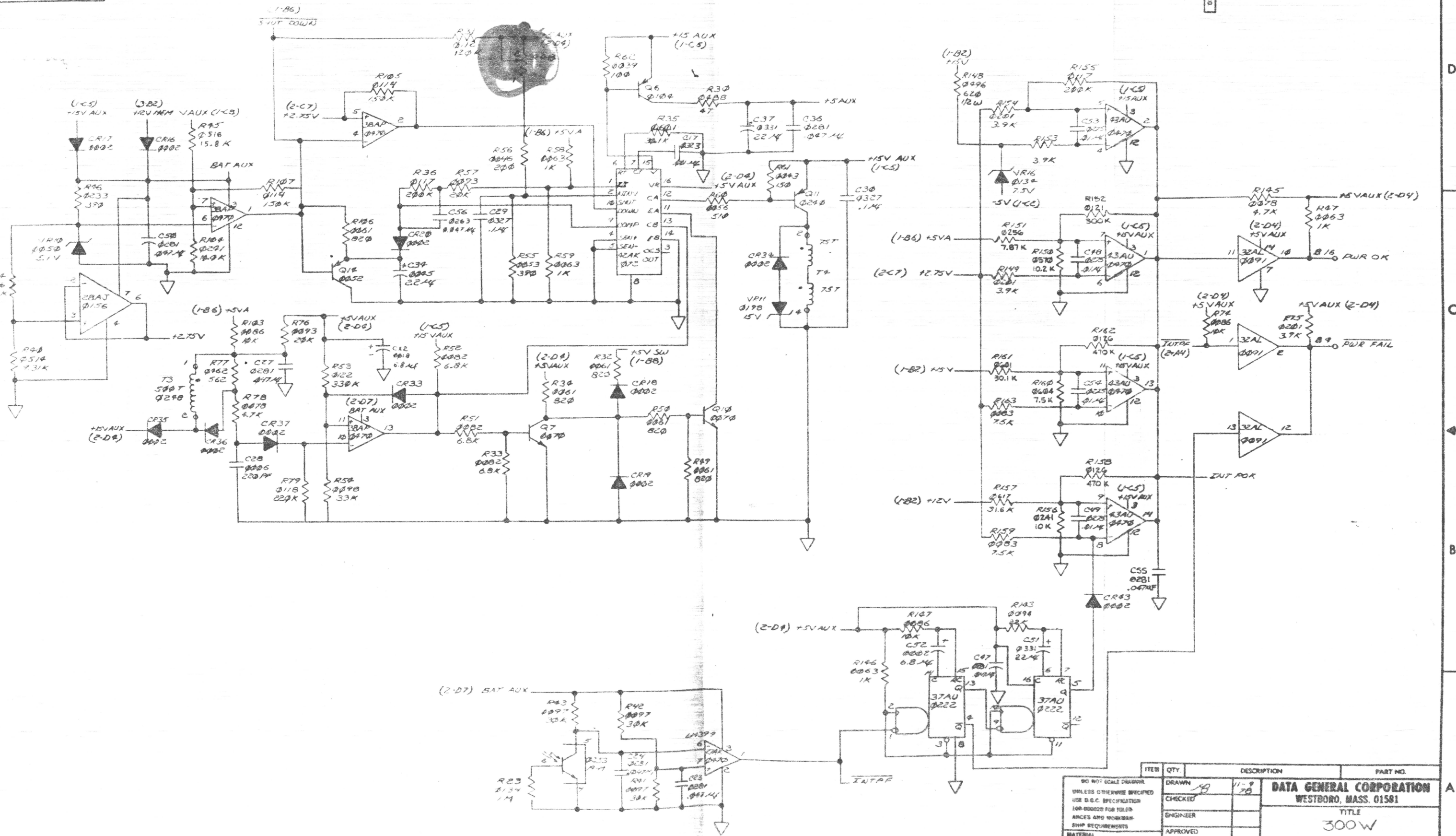
  

DO NOT SCALE DIMENSIONS UNLESS OTHERWISE SPECIFIED	DRAWN	11-77	DATA GENERAL CORPORATION WESTBORO, MASS. 01581
USE D.C. SPECIFICATION 100-00000 FOR TOLERANCES AND WORKMANSHIP REQUIREMENTS	CHECKED		
MATERIAL	ENGINEER		
APPROVED	1-9-77		TITLE 300W POWER SUPPLY
FIRST USED ON	005012105		SCALE
SCALE	CODE IDENT	SIZE	CODE
0037	07/4	20V	DRAWING NUMBER 001616
			REV 03

SHEET 1 OF 3

FORMS AND SPECIFICATIONS HEREIN ARE THE PROPERTY OF DATA GENERAL CORPORATION AND SHALL BE REPRODUCED OR COPIED IN WHOLE OR IN PART AT THE RISK OF THE MANUFACTURER OR USER OF THIS DRAWING WITHOUT WRITTEN PERMISSION.

REVISIONS				
REV	DESCRIPTION	DRFTG	APP BY	DATE
1				



ITEM	QTY	DESCRIPTION	PART NO.

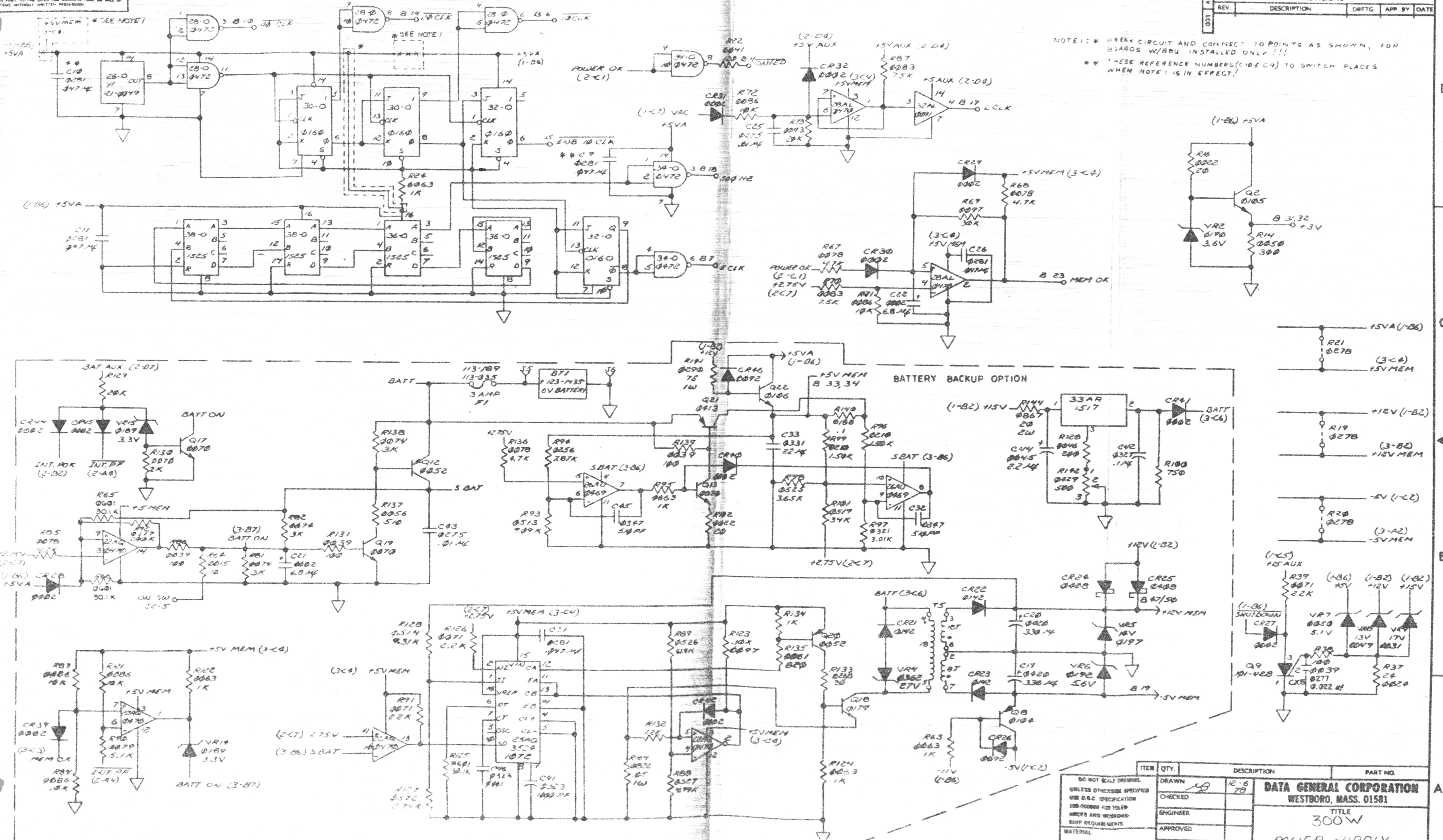
DO NOT SCALE DRAWING		DRAWN 11-9	
UNLESS OTHERWISE SPECIFIED		CHECKED 70	
USE D.C. SPECIFICATION		ENGINEER	
FOR ORDERED FOR TOLERANCES AND WORKMANSHIP REQUIREMENTS		APPROVED	
MATERIAL		FIRST USED ON	
FINISH		SCALE	
		CODE IDENT	SIZE
		D	101
		DRAWING NUMBER	REV
		001616	03

**DATA GENERAL CORPORATION**  
 WESTBORD, MASS. 01581  
 TITLE  
**300W POWER SUPPLY**

WARNING AND SPECIFICATIONS HEREIN ARE THE PROPERTY OF DATA GENERAL CORPORATION AND SHALL BE REPRODUCED OR COPIED IN WHOLE OR IN PART AS THE BASIS FOR MANUFACTURE OR SALE OF THIS DRAWING WITHOUT WRITTEN PERMISSION.

REVISIONS				
REV	DESCRIPTION	DRFTG	APP BY	DATE
1				
2				
3				

NOTE 1: BREAK CIRCUIT AND CONNECT TO POINTS AS SHOWN, FOR BOARDS W/BBU INSTALLED ONLY !!!  
 \*\* THESE REFERENCE NUMBERS (CIRCUIT) TO SWITCH PLACES WHEN NOTE 1 IS IN EFFECT!



ITEM	QTY.	DESCRIPTION	PART NO.
1	1	DC ROT SCALE DRAWING	
2	1	WIRELESS OTHERS SPECIFIED	
3	1	USE D.C. SPECIFICATION	
4	1	TOLERANCES AND WORKMANSHIP REQUIREMENTS	
5	1	MATERIAL	
6	1	FRESH	

DRAWN	12-6	70
CHECKED		
ENGINEER		
APPROVED		
FIRST USED ON		
SCALE	CODE IDENT.	SIZE
CODE	001	001616
DRAWING NUMBER		
REV		03

**DATA GENERAL CORPORATION**  
 WESTBORO, MASS. 01581  
**TITLE**  
 300W  
**POWER SUPPLY**