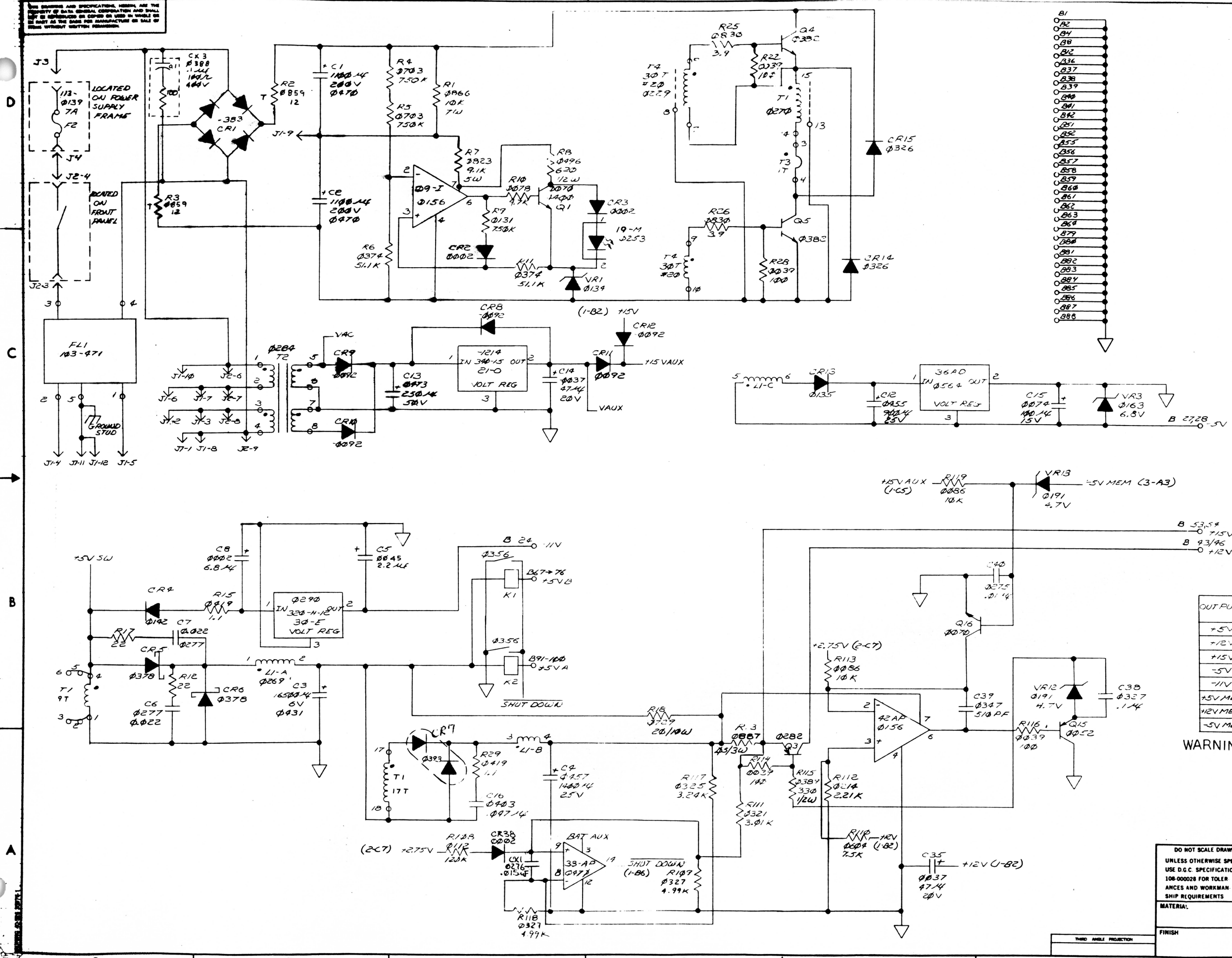


THIS DRAWING AND SPECIFICATIONS, HEREIN, ARE THE PROPERTY OF DATA GENERAL CORPORATION AND SHALL NOT BE REPRODUCED OR COPIED OR USED IN WHOLE OR IN PART AS THE BASIS FOR MANUFACTURE OR SALE OF SIMILAR WITHOUT WRITTEN PERMISSION.

REVISIONS				
REV	DESCRIPTION	DRFTG	APP BY	DATE
01	PER ECO FB41	ESNA		



- NOTES:
- 1) R19, R20, R21 NOT INSTALLED WHEN BATTERY BACKUP OPTION IS INSTALLED.
  - 2) C1 & C2 ARE A MATCHED PAIR.
  - 3) SET R12 FOR BATT = 7.05 VOLTS WHEN BATTERY IS CHARGED.
  - 4) SET R48 FOR +5VA = 5.15V AT POWER SUPPLY EDGE CONNECTOR

OUTPUT	VOLTAGE		CURRENT	
	MIN.	MAX.	MIN.	MAX.
+5V	4.95V	5.2	5A	35A
+12V	11.7V	12.7V	?	5A
+15V	14.0V	16.0V	?	1.5A
-5V	4.75V	5.25V	?	1.5A
-11V	11.0V	12.5V	?	0.25A
+5V MEM	4.95V	5.2V	?	1A
+12V MEM	11.3V	12.7V	?	0.3A
-5V MEM	4.75V	5.25V	?	0.5A

5A MAX TOTAL

WARNING:—HAZARDOUS VOLTAGES EXIST ON THIS UNIT. SERVICE MUST BE PERFORMED BY QUALIFIED PERSONNEL.

ITEM	QTY.	DESCRIPTION	PART NO.
DO NOT SCALE DRAWING			
DRAWN	11-7		
CHECKED	78		
ENGINEER			
APPROVED	1-77		
FIRST USED ON			
SCALE			
CODE IDENT			
SIZE			
CODE			
DRAWING NUMBER			
REV			

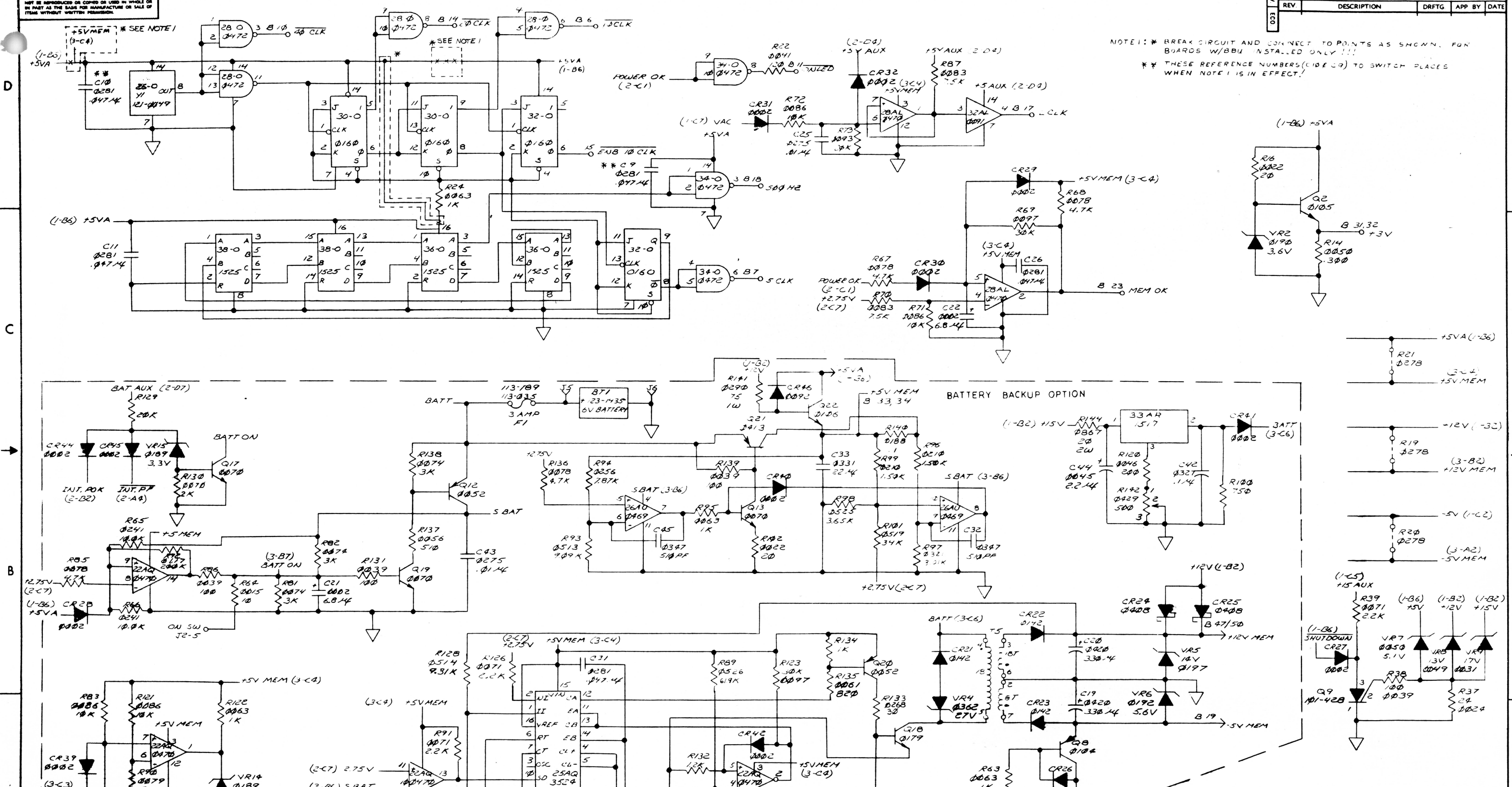
DATA GENERAL CORPORATION  
WESTBORO, MASS. 01581  
TITLE  
300W  
POWER SUPPLY

463 730 9800 x472

THIS DRAWING AND SPECIFICATIONS, HEREIN, ARE THE PROPERTY OF DATA GENERAL CORPORATION AND SHALL NOT BE REPRODUCED OR COPIED OR USED IN WHOLE OR IN PART AS THE BASIS FOR MANUFACTURE OR SALE OF ITEMS WITHOUT WRITTEN PERMISSION.

REVISIONS				
REV	DESCRIPTION	DRFTG	APP BY	DATE
1				

NOTE 1: \* BREAK CIRCUIT AND CONNECT TO POINTS AS SHOWN, FOR BOARDS W/BBU INSTALLED ONLY !!!  
 \*\* THESE REFERENCE NUMBERS (CIRCUIT) TO SWITCH PLACES WHEN NOTE 1 IS IN EFFECT!

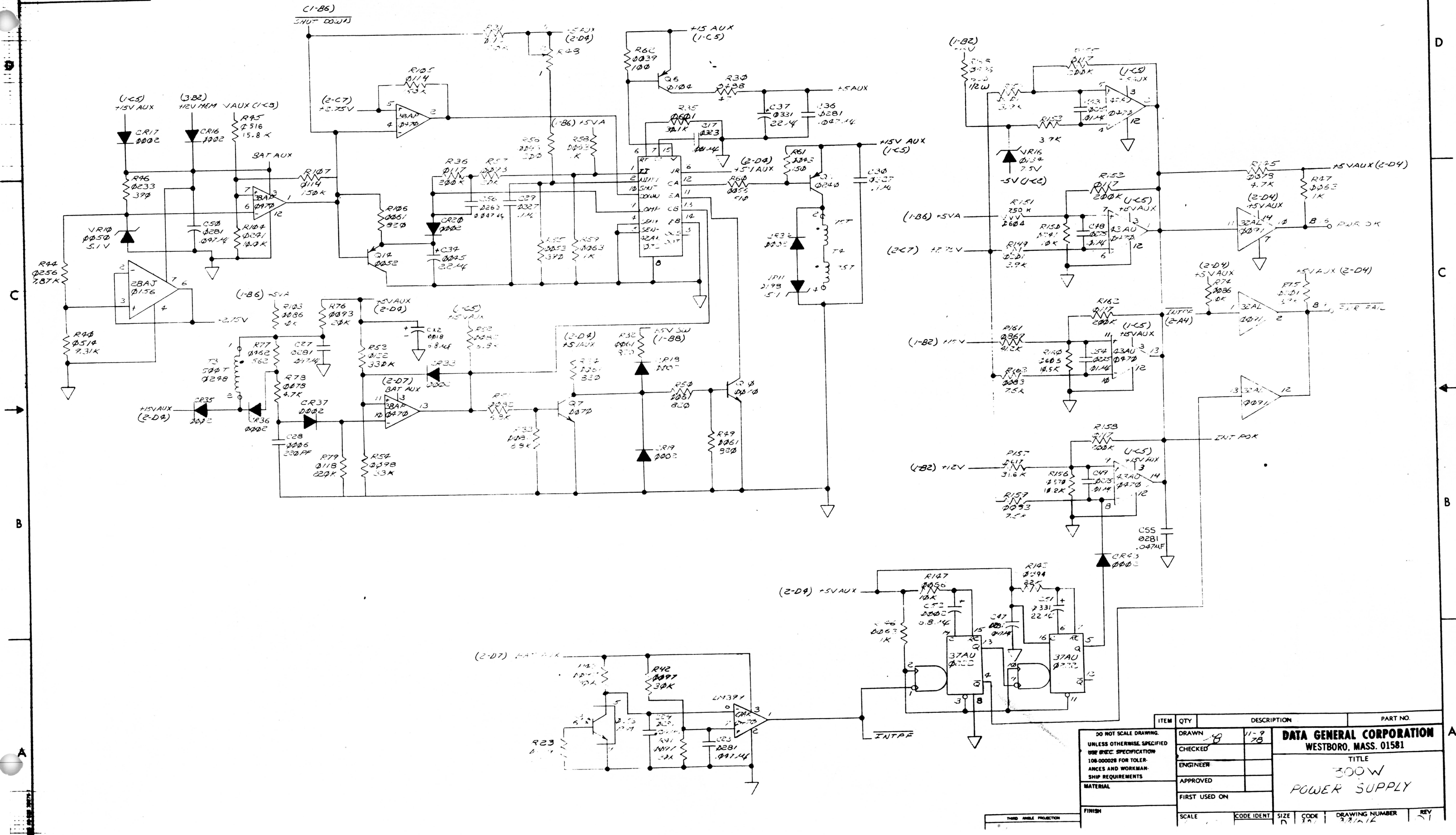


ITEM	QTY.	DESCRIPTION	PART NO.
DO NOT SCALE DRAWING. UNLESS OTHERWISE SPECIFIED USE D.G.C. SPECIFICATION 108-00028 FOR TOLERANCES AND WORKMANSHIP REQUIREMENTS.			
DRAWN <i>LD</i>		12-5 78	
CHECKED			
ENGINEER			
APPROVED			
FIRST USED ON			
FINISH			
SCALE <i>1:1</i>		CODE IDENT.	SIZE <i>D</i>
		CODE <i>20</i>	DRAWING NUMBER <i>201516</i>
		REV <i>01</i>	

**DATA GENERAL CORPORATION**  
 WESTBORO, MASS. 01581  
 TITLE  
**300W**  
**POWER SUPPLY**

THIS DRAWING AND SPECIFICATIONS HEREIN ARE THE PROPERTY OF DATA GENERAL CORPORATION AND SHALL NOT BE REPRODUCED OR COPIED OR USED IN WHOLE OR IN PART AS THE BASIS FOR MANUFACTURE OR SALE OF THIS DRAWING WITHOUT WRITTEN PERMISSION.

REVISIONS				
REV	DESCRIPTION	DRFTG	APP BY	DATE
ECO				



ITEM	QTY	DESCRIPTION	PART NO.
DO NOT SCALE DRAWING. UNLESS OTHERWISE SPECIFIED USE INCH SPECIFICATION 100-00028 FOR TOLERANCES AND WORKMANSHIP REQUIREMENTS.			
DRAWN	11-9	DATA GENERAL CORPORATION	
CHECKED	78	WESTBORO, MASS. 01581	
ENGINEER		TITLE	
APPROVED		300W	
FIRST USED ON		POWER SUPPLY	
SCALE	CODE IDENT	SIZE	CODE
		D	30
DRAWING NUMBER		REV	
300W		1	