

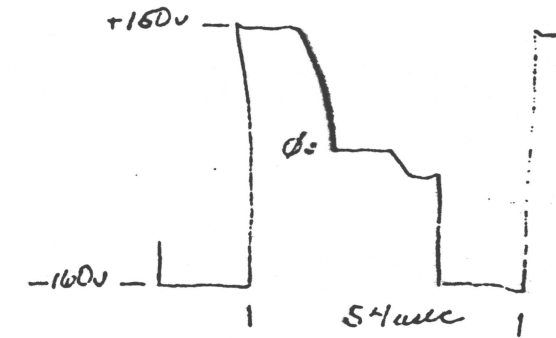
THE DRAWING AND SPECIFICATIONS HEREIN ARE THE PROPERTY OF DATA GENERAL CORPORATION AND SHALL NOT BE REPRODUCED OR COPIED IN WHOLE OR IN PART OR IN ANY MANNER FOR MANUFACTURE OR USE OF ANY OTHER PERSON OR ORGANIZATION.

REVISIONS				
REV	DESCRIPTION	DATE	APP. BY	DATE
00	REVISED PER ECOT-19			

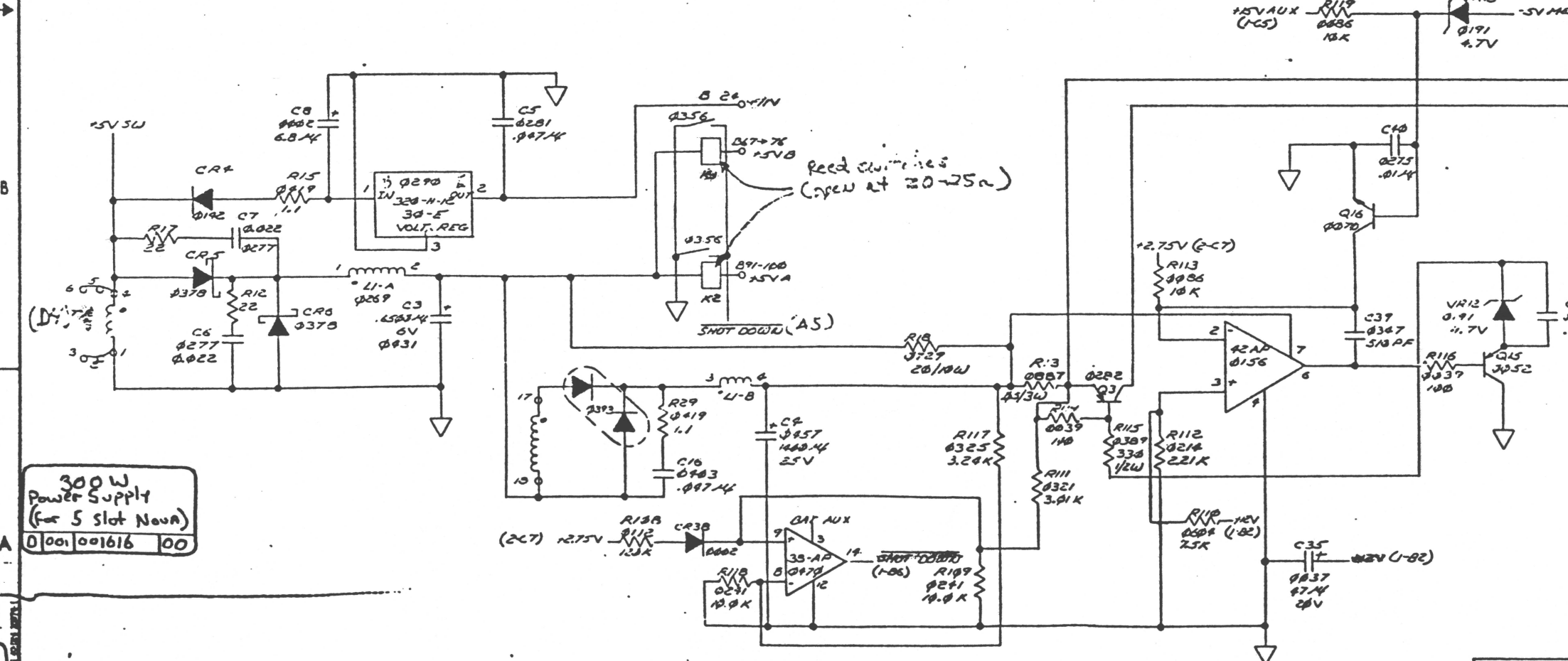
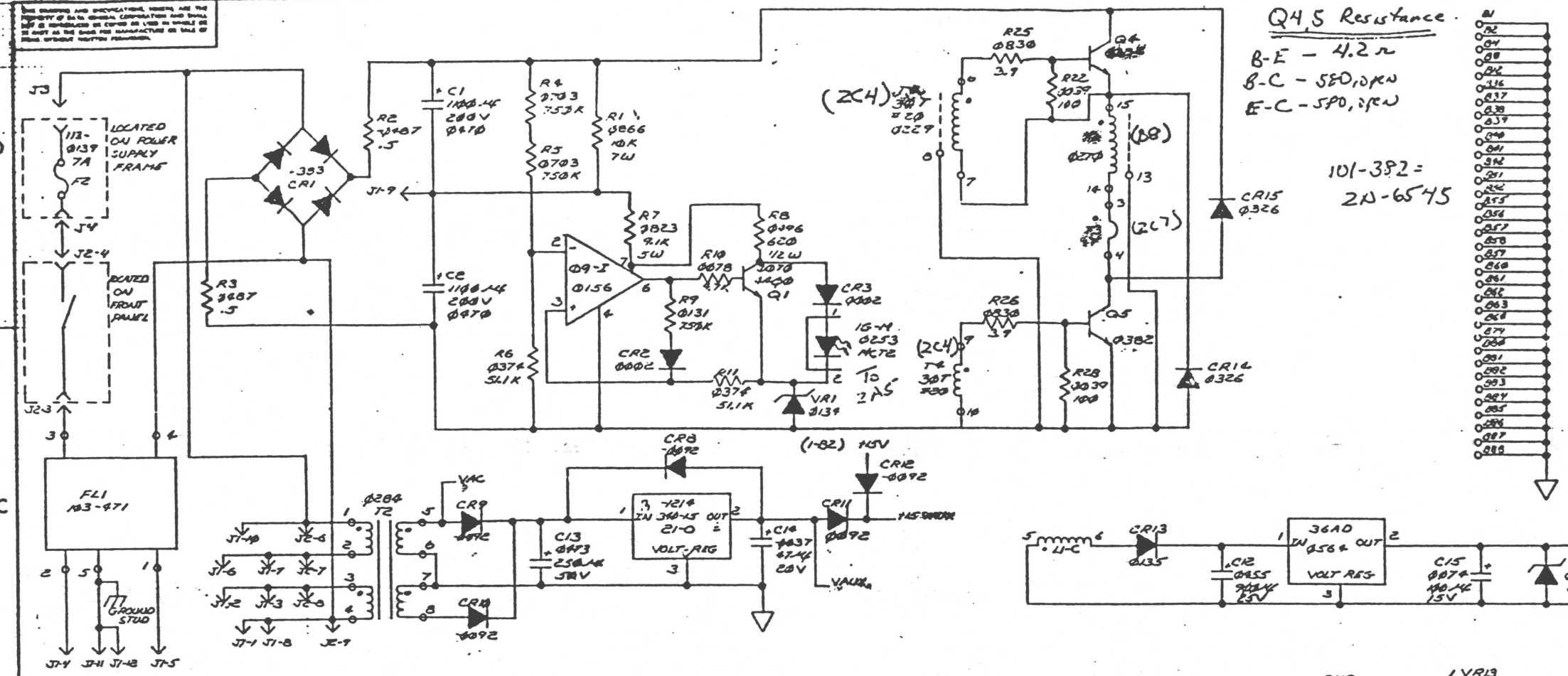
Q4,5 Resistance
 B-E - 4.2 Ω
 B-C - 550 Ω OPEN
 E-C - 550 Ω OPEN

101-382 =
 2N-6545

Collector Q5



NOTES:
 1) R9, R20, R21 NOT INSTALLED WHEN BATTERY BACKUP OPTION IS INSTALLED. (see 3)
 2) C11, C12 ARE A MATCHED PAIR.



OUTPUT	VOLTAGE		CURRENT	
	MIN.	MAX.	MIN.	MAX.
+5V	4.95V	5.2	5A	35A
-12V	11.7V	12.7V	0	5A
+15V	14.0V	16.0V	0	1.5A
-5V	4.75V	5.25V	0	1.5A
+1V	11.0V	12.5V	0	-0.25A
+15V MEM	4.25V	5.2V	0	1A
-5V MEM	4.75V	5.25V	0	-1A

5A MAX TOTAL

WARNING:—HAZARDOUS VOLTAGES EXIST ON THIS UNIT. SERVICE MUST BE PERFORMED BY QUALIFIED PERSONNEL.

300W Power Supply (For 5 slot Nova)
 01001001616 00

ITEM	QTY	DESCRIPTION	PART NO.
DO NOT SCALE DRAWING			
UNLESS OTHERWISE SPECIFIED USE D.C. SPECIFICATION			
100-00000 FOR TOLERANCES AND WORKMANSHIP REQUIREMENTS			
MATERIAL			
FINISH			
SCALE			
CODE IDENT			
SIZE			
CODE			
DRAWING NUMBER			

DATA GENERAL CORPORATION
 WESTBORO, MASS. 01581
 TITLE
 300W POWER SUPPLY (For 5 slot, Nova 4 all)
 SHEET 2 OF 3

522

1 of 3

THIS DRAWING AND SPECIFICATIONS HEREON ARE THE PROPERTY OF DATA GENERAL CORPORATION AND SHALL NOT BE REPRODUCED OR COPIED IN WHOLE OR IN PART AS THE BASIS FOR MANUFACTURE OR SALE OF THIS WITHOUT WRITTEN PERMISSION.

REVISIONS			
REV.	DESCRIPTION	DATE	APP. BY
1			

42AK-7

Soft Start Logic

Normally "Hi"

Normally "Lo"

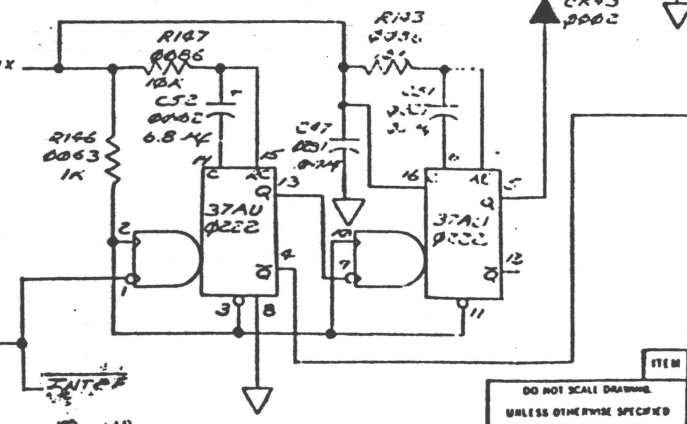
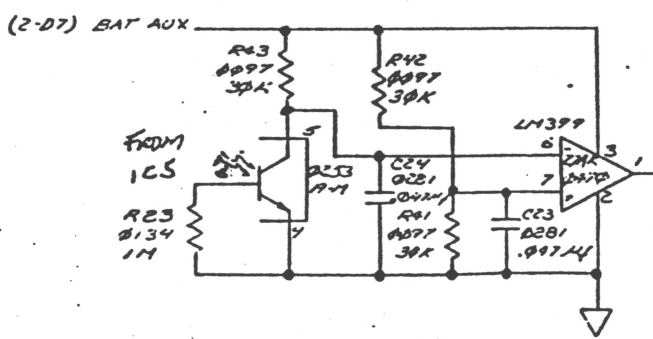
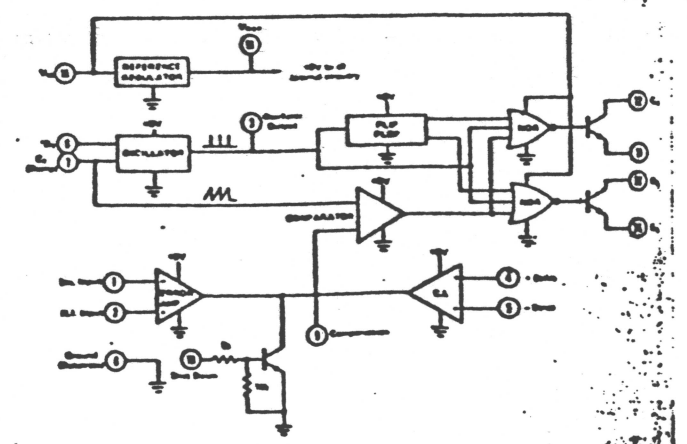
O.C. Detector

BLOCK DIAGRAM

42AK (100-1072)

42AK-12

Power Failing



DO NOT SCALE DRAWING UNLESS OTHERWISE SPECIFIED USE D.G.C. SPECIFICATION FOR DIMENSIONS FOR TOLERANCES AND WORKMANSHIP REQUIREMENTS MATERIAL	ITEM	QTY	DESCRIPTION	PART NO.
	1	1	DATA GENERAL CORPORATION WESTBORO, MASS. 01581	
	2	1	TITLE	
	3	1	300W POWER SUPPLY	
	4	1	SCALE	
	5	1	CODE IDENT	
	6	1	SIZE	
	7	1	CODE	
	8	1	DRAWING NUMBER	001616
	9	1	SHEET	2 OF 3

D

C

B

A

8

7

6

5

4

3

2

1

52

