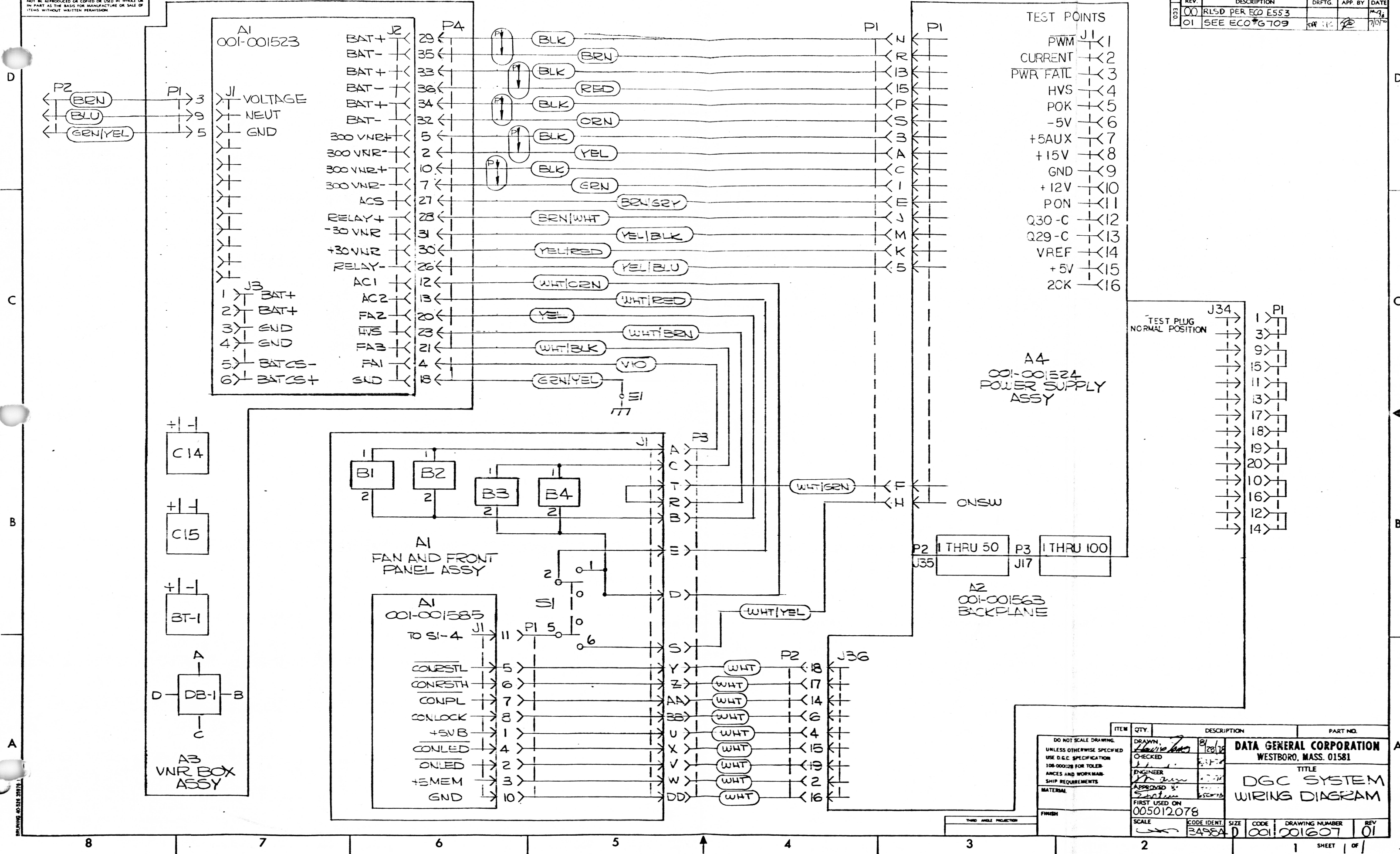


THIS DRAWING AND SPECIFICATIONS HEREIN ARE THE PROPERTY OF DATA GENERAL CORPORATION AND SHALL NOT BE REPRODUCED OR COPIED OR USED IN WHOLE OR IN PART AS THE BASIS FOR MANUFACTURE OR SALE OF ITEMS WITHOUT WRITTEN PERMISSION.

REV	DESCRIPTION	DRFTG	APP. BY	DATE
00	RLSD PER ECO 553			7/17/70
01	SEE ECO #6709			



ITEM	QTY	DESCRIPTION	PART NO.
DO NOT SCALE DRAWING			
DRAWN		8/20/70	
CHECKED			
ENGINEER			
APPROVED BY			
MATERIAL			
FIRST USED ON		005012078	
SCALE	CODE IDENT.	SIZE	CODE
	3495A	D	001-001607
DRAWING NUMBER			REV
001-001607			01
SHEET 1 OF 1			

**DATA GENERAL CORPORATION**  
WESTBORO, MASS. 01581

TITLE  
**DGC SYSTEM WIRING DIAGRAM**