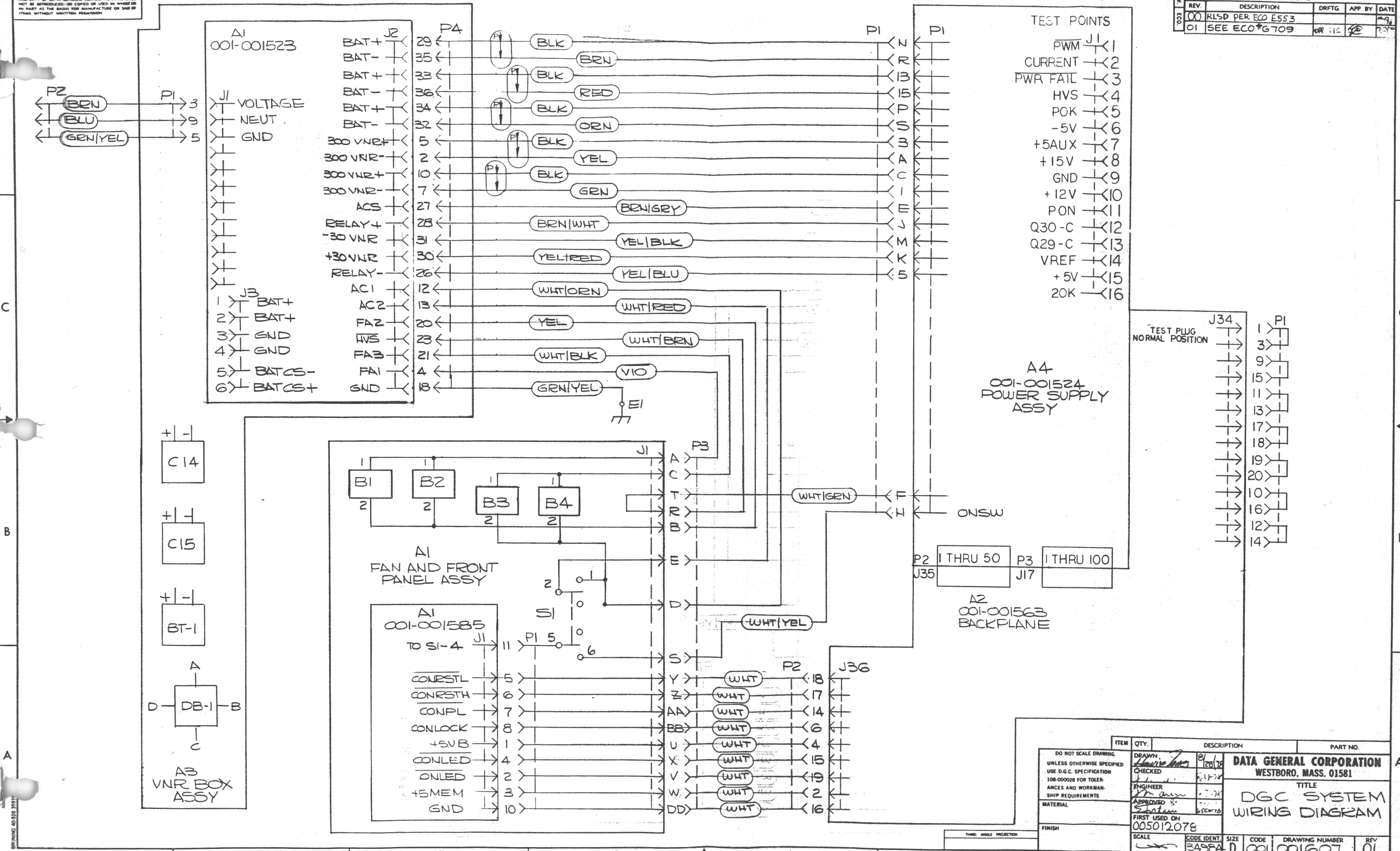


THIS DRAWING AND SPECIFICATIONS HEREIN ARE THE PROPERTY OF DATA GENERAL CORPORATION AND SHALL NOT BE REPRODUCED, COPIED OR USED IN WHOLE OR IN PART AS THE BASIS FOR MANUFACTURE OR SALE OF ITEMS WITHOUT WRITTEN PERMISSION.

REV.	DESCRIPTION	DRFTG.	APP. BY	DATE
00	RLSD PER ECO E553			11/94
01	SEE ECO G709	OFF	JE	7/97



ITEM	QTY.	DESCRIPTION	PART NO.
DO NOT SCALE DRAWING. UNLESS OTHERWISE SPECIFIED USE D.G.C. SPECIFICATION 108-00028 FOR TOLERANCES AND WORKMANSHIP REQUIREMENTS.			
DRAWN: <i>David Jones</i> 8/20/78		DATA GENERAL CORPORATION WESTBORO, MASS. 01581	
CHECKED: <i>J.L.</i> 8/27/78		TITLE: DGC SYSTEM WIRING DIAGRAM	
ENGINEER: <i>J.H. Jones</i> 8/27/78		MATERIAL: <i>System</i> 6/5/80	
APPROVED: <i>System</i> 6/5/80		FIRST USED ON: 005012078	
FINISH: <i>System</i> 6/5/80		SCALE: 3/8"=1" ASSEMBLY	
CODE IDENT.:		SIZE: D	CODE: 001
DRAWING NUMBER: 00101607		REV: 01	

BRUNING 40-528 3557