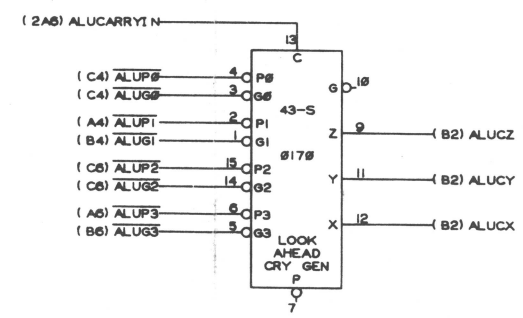
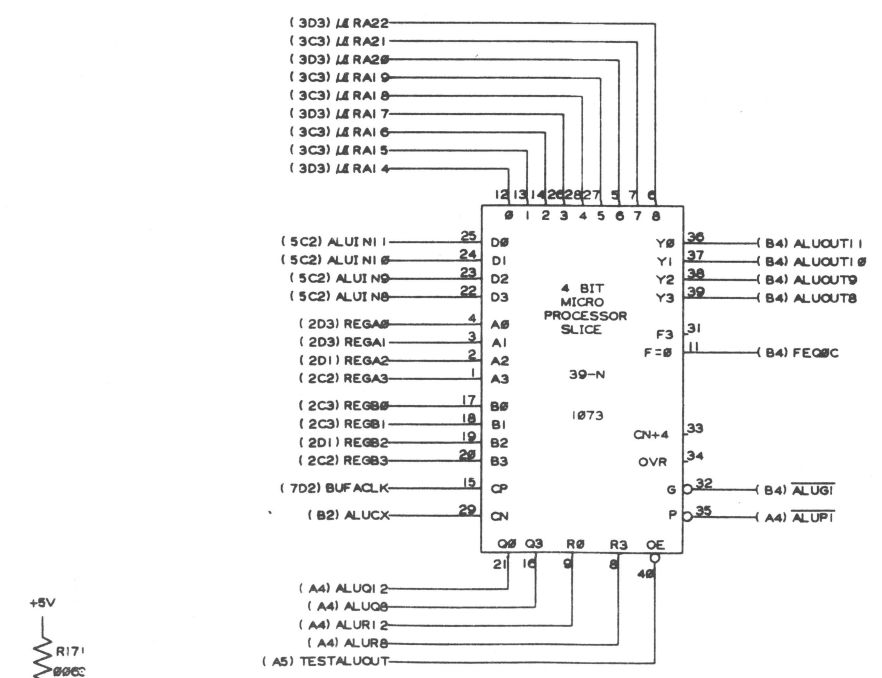
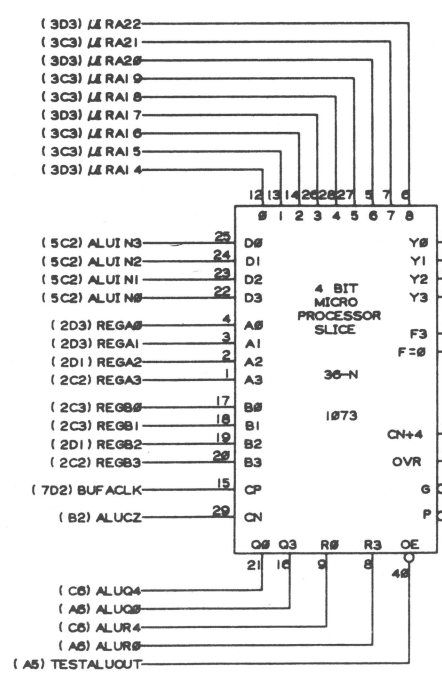
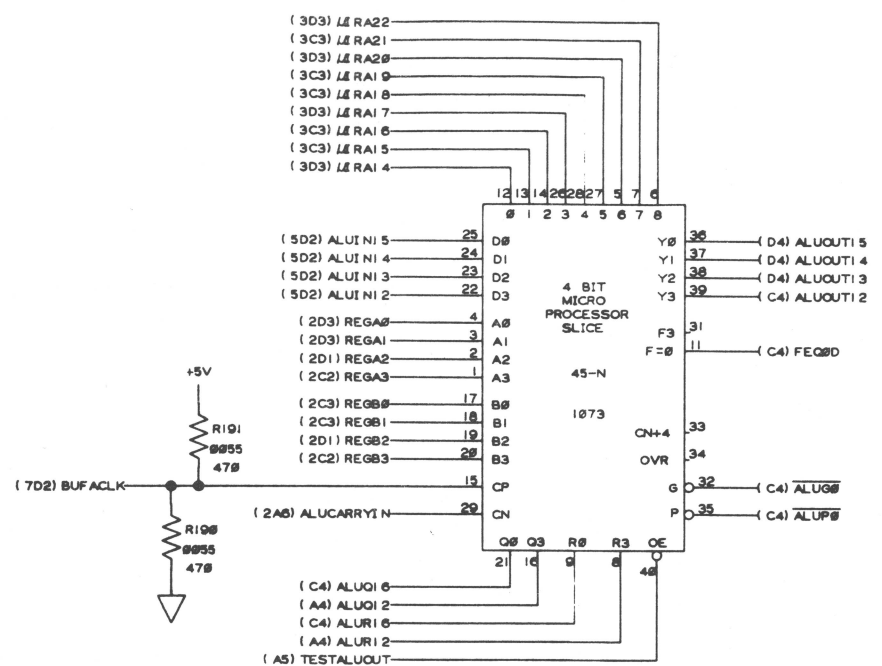
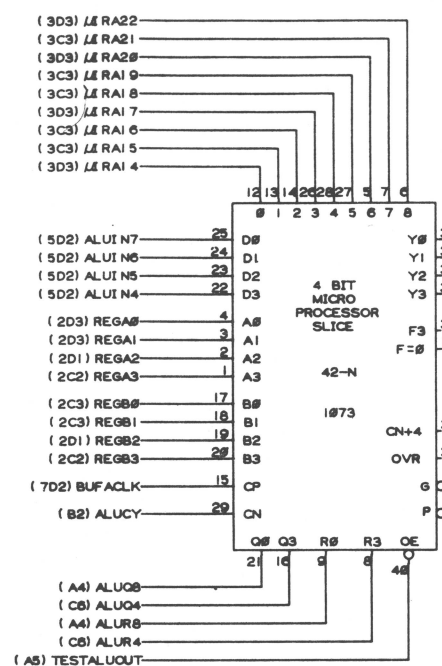


THIS DRAWING AND SPECIFICATIONS HEREIN ARE THE PROPERTY OF DATA GENERAL CORPORATION AND SHALL NOT BE REPRODUCED OR COPIED OR USED IN WHOLE OR IN PART AS THE BASIS FOR MANUFACTURE OR SALE OF ITEMS WITHOUT WRITTEN PERMISSION

REVISIONS				
REV	DESCRIPTION	DRFTG	APP BY	DATE
00	RLSD PER ECO F835			3/77
01	PER ECO F833	WLD	CPR	3/27/77
02	PER ECO F869	REB	CPR	6/21/77
03	PER ECO G700	REB	CPR	7/18/77
04	PER ECO G103			7/27/77



SPARE GATES

0799	03-J	(2)
0797	03-N	(1)
0305	05-W	(1)
0700	05AB	(1)
0020	07-J	(2)
0159	07AN	(3)
0027	09-B	(1)
0030	09-F	(1)
0200	09AH	(2)
0172	09AN	(1)
1201	11AN	(1)
0020	13AU	(2)
0133	15-N	(2)
0305	15AR	(2)
1152	15AU	(3)
0417	17AN	(2)
0175	19-W	(1)
0037	21AN	(3)
0300	21AR	(1)
0707	27-F	(1)
0305	29-S	(2)
0327	33-S	(1)
1230	33-W	(1)
0075	36-F	(1)
0075	40-F	(1)
0417	41-S	(1)
0175	43-W	(1)

CHART 1

	UNTESTED	TESTED
8KW	005-12410	005-12411
16KW	005-12412	005-12413
32KW	005-12414	005-12415

ARTWORK: 107 1307

DRAWN: DIGITIZING 3/26/79

CHECKED: B. GLATHORN 3/26/79

ENGINEER: C. RETTER 3/26/79

APPROVED:

FIRST USED ON: SEE CHART 1

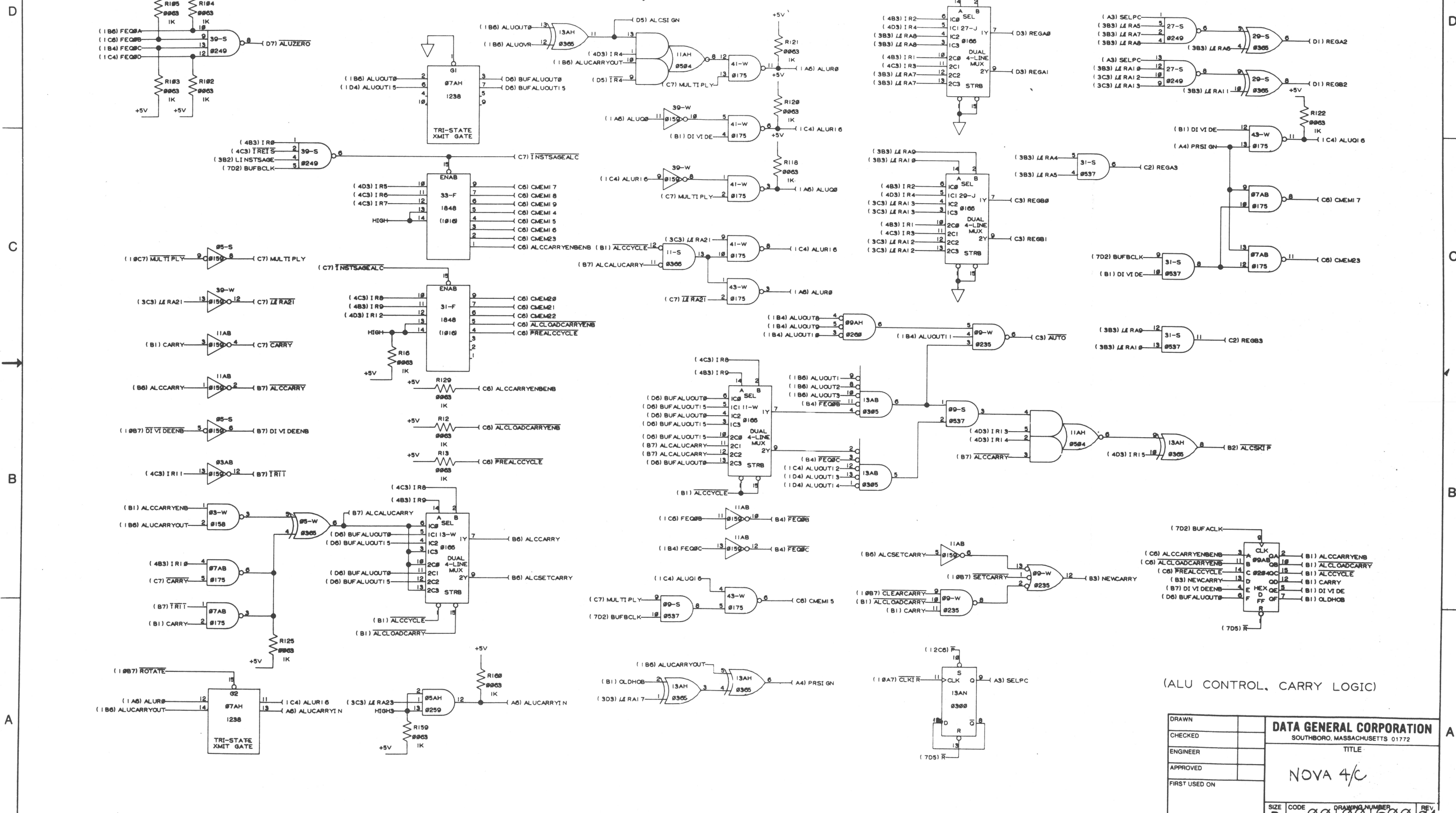
DATA GENERAL CORPORATION
SOUTHBORO, MASSACHUSETTS 01772

TITLE: NOVA 4/C

SIZE: D CODE: 001001000004

THIS DRAWING AND SPECIFICATIONS HEREBY ARE THE PROPERTY OF DATA GENERAL CORPORATION AND SHALL NOT BE REPRODUCED OR COPIED OR USED IN WHOLE OR IN PART AS THE BASIS FOR MANUFACTURE OR SALE OF ITEMS WITHOUT WRITTEN PERMISSION

REVISIONS			
REV	DESCRIPTION	DRFTG	APP BY DATE



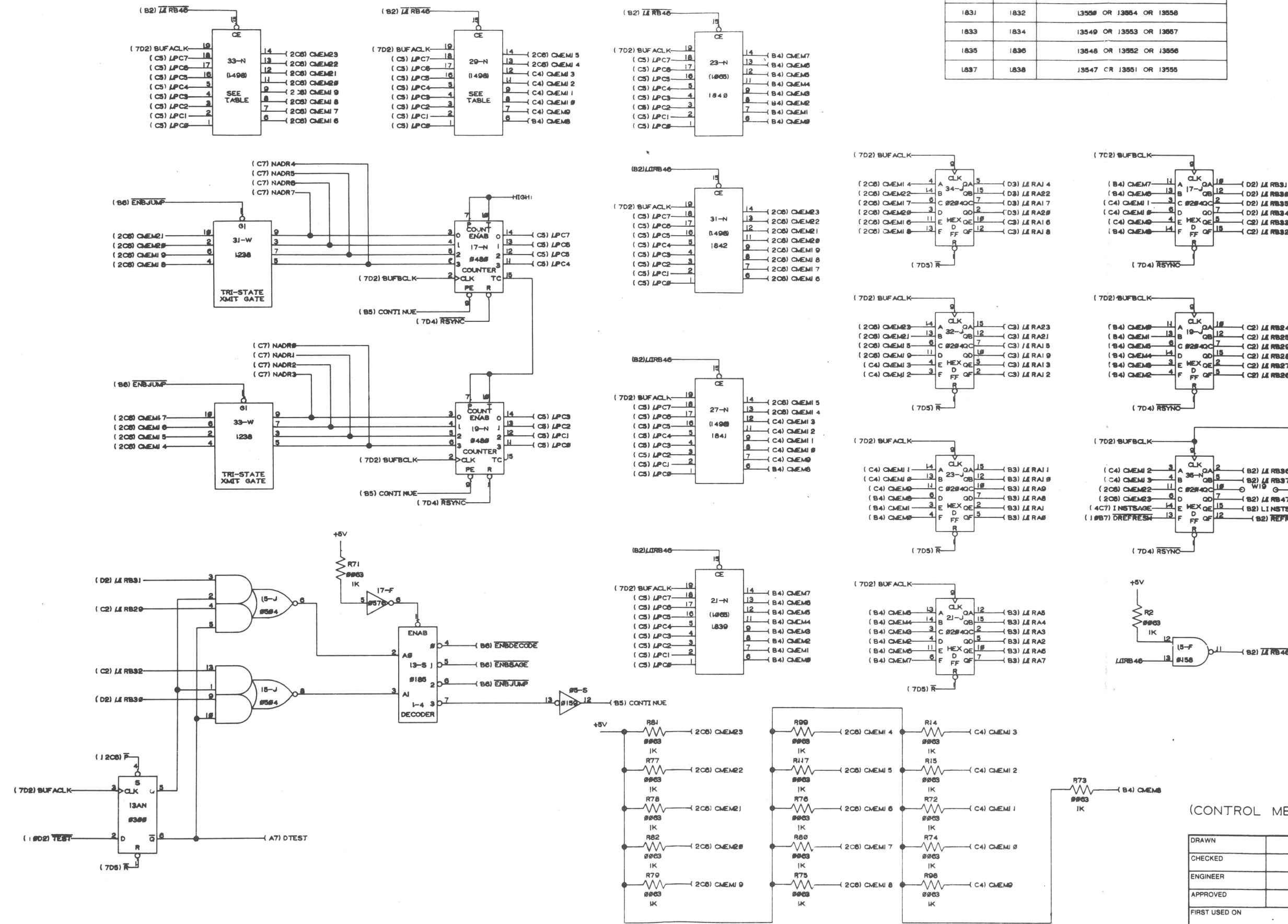
(ALU CONTROL, CARRY LOGIC)

DRAWN		DATA GENERAL CORPORATION SOUTHBORO, MASSACHUSETTS 01772 TITLE NOVA 4/C	
CHECKED			
ENGINEER			
APPROVED			
FIRST USED ON			
SIZE	CODE	DRAWING NUMBER	REV.
D		00100160004	

THIS DRAWING AND SPECIFICATIONS HEREIN ARE THE PROPERTY OF DATA GENERAL CORPORATION AND SHALL NOT BE REPRODUCED OR COPIED OR USED IN WHOLE OR IN PART AS THE BASIS FOR MANUFACTURE OR SALE OF ITEMS WITHOUT WRITTEN PERMISSION

REVISIONS				
REV	DESCRIPTION	DRFTG	APP BY	DATE

LOC 29N	LOC 33N	#55-(OPTIONS)
1831	1832	13558 OR 13554 OR 13556
1833	1834	13549 OR 13553 OR 13557
1835	1836	13548 OR 13552 OR 13555
1837	1838	13547 OR 13551 OR 13555

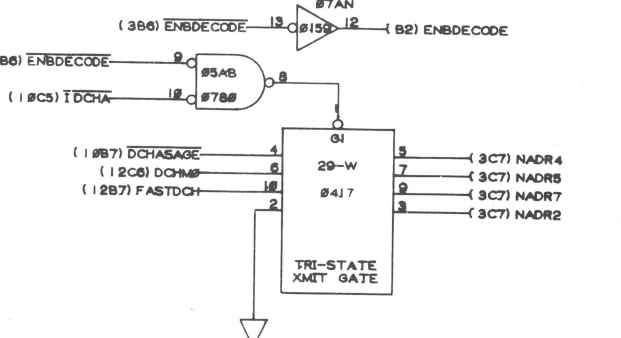
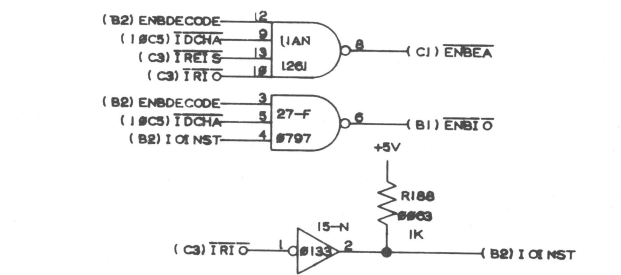
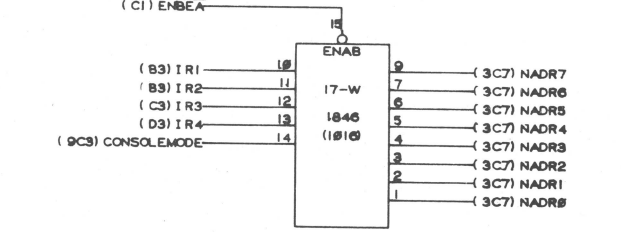
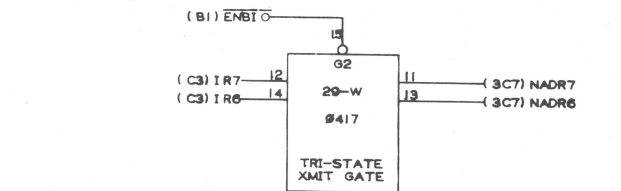
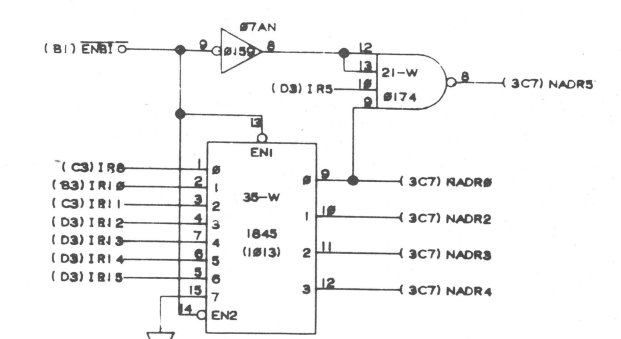
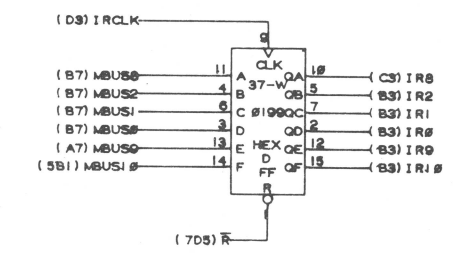
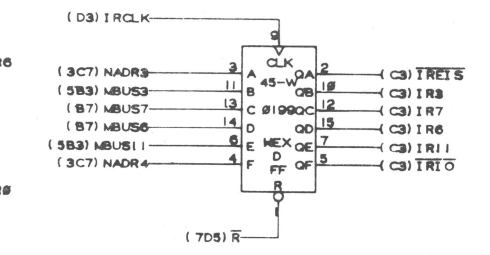
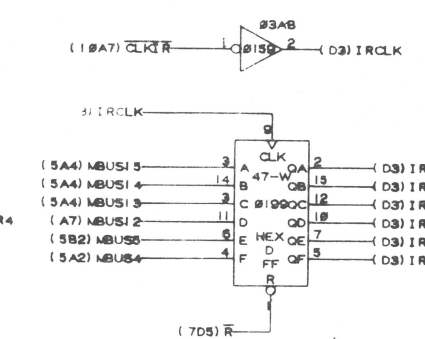
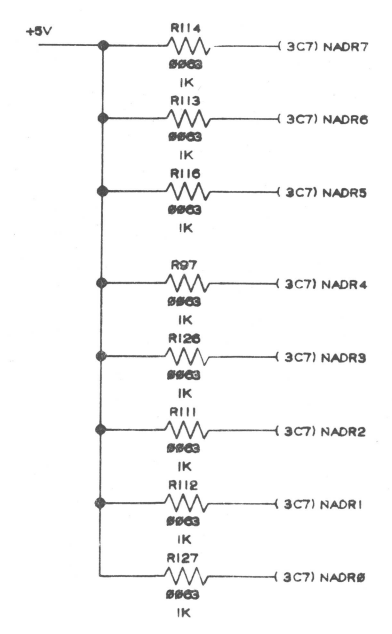
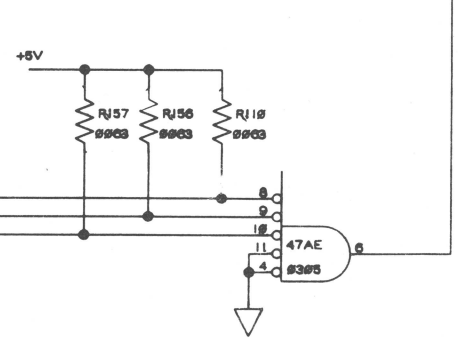
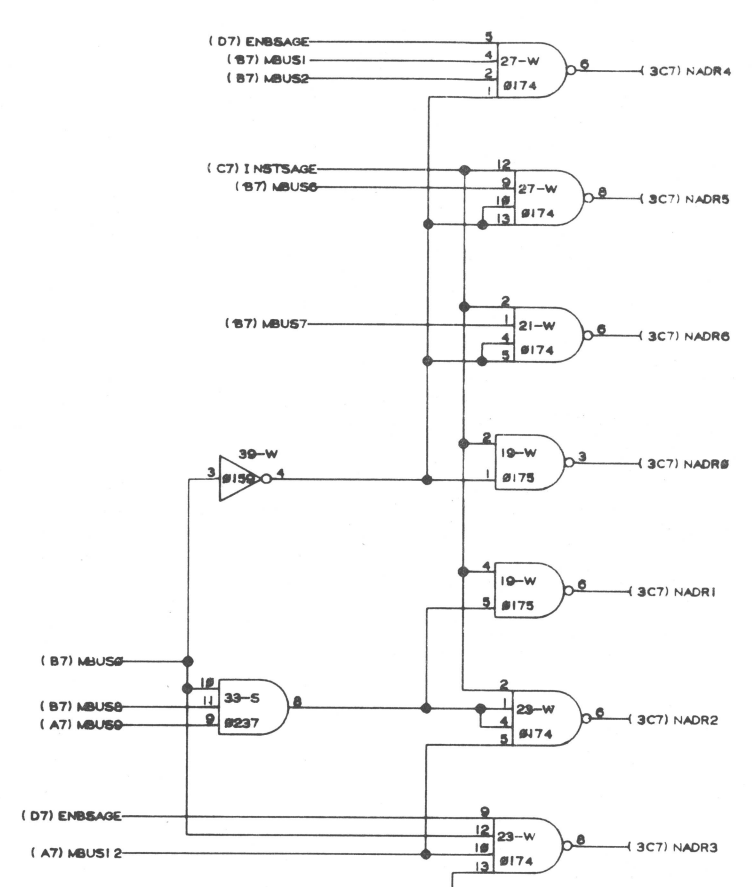
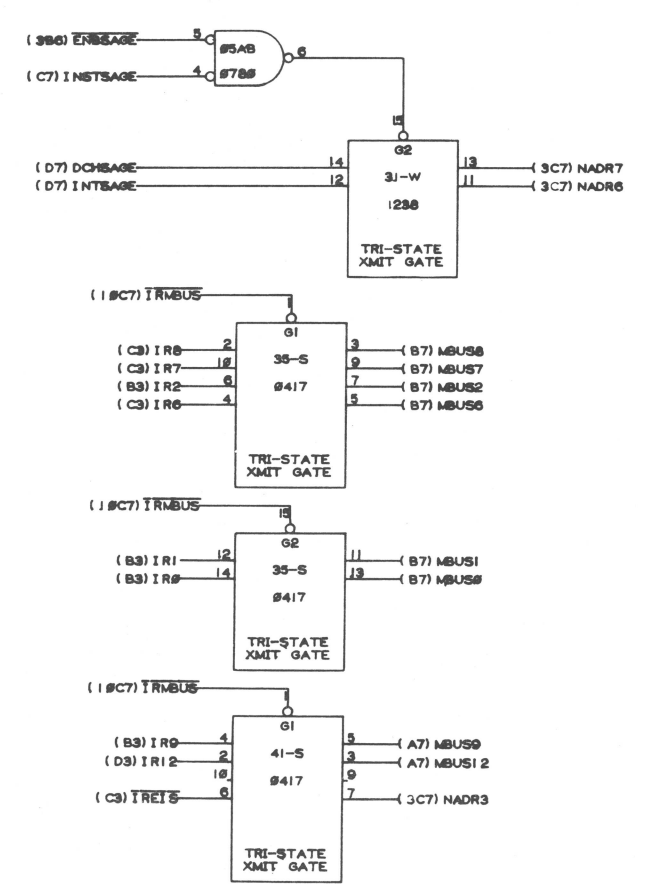
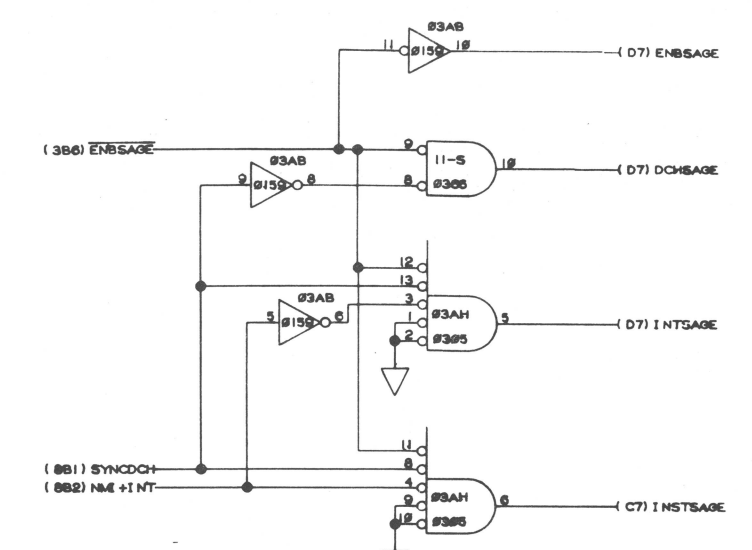


(CONTROL MEMORY, SEQUENCER)

DRAWN		DATA GENERAL CORPORATION SOUTHBORO, MASSACHUSETTS 01772 TITLE NOVA 4/c			
CHECKED					
ENGINEER					
APPROVED					
FIRST USED ON					
SIZE	D	DRAWING NUMBER	001001600	REV	04

THIS DRAWING AND SPECIFICATIONS HEREIN ARE THE PROPERTY OF DATA GENERAL CORPORATION AND SHALL NOT BE REPRODUCED OR COPIED OR USED IN WHOLE OR IN PART AS THE BASIS FOR MANUFACTURE OR SALE OF ITEMS WITHOUT WRITTEN PERMISSION

REVISIONS				
REV	DESCRIPTION	DRFTG	APP B	DATE



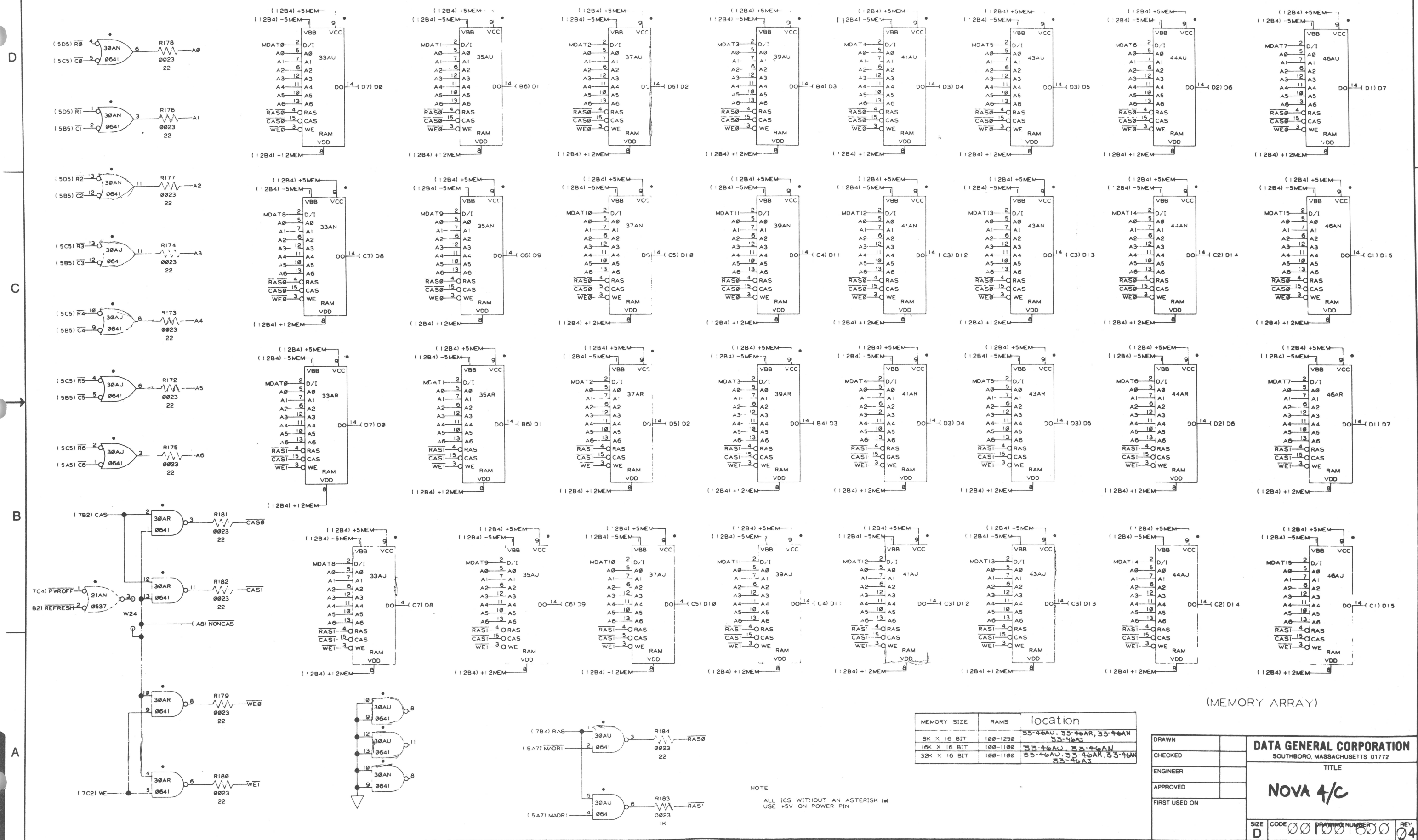
(SAGE, DECODE, IR)

DRAWN	CHECKED	ENGINEER	APPROVED	FIRST USED ON

DATA GENERAL CORPORATION			
SOUTHBORO, MASSACHUSETTS 01772			
TITLE			
NOVA 4/C			
SIZE	CODE	DRAWING NUMBER	REV.
D		001001600	04

THIS DRAWING AND SPECIFICATIONS HEREIN ARE THE PROPERTY OF DATA GENERAL CORPORATION AND SHALL NOT BE REPRODUCED OR COPIED OR USED IN WHOLE OR IN PART AS THE BASIS FOR MANUFACTURE OR SALE OF ITEMS WITHOUT WRITTEN PERMISSION.

REVISIONS				
REV	DESCRIPTION	DRFTG	APP BY	DATE

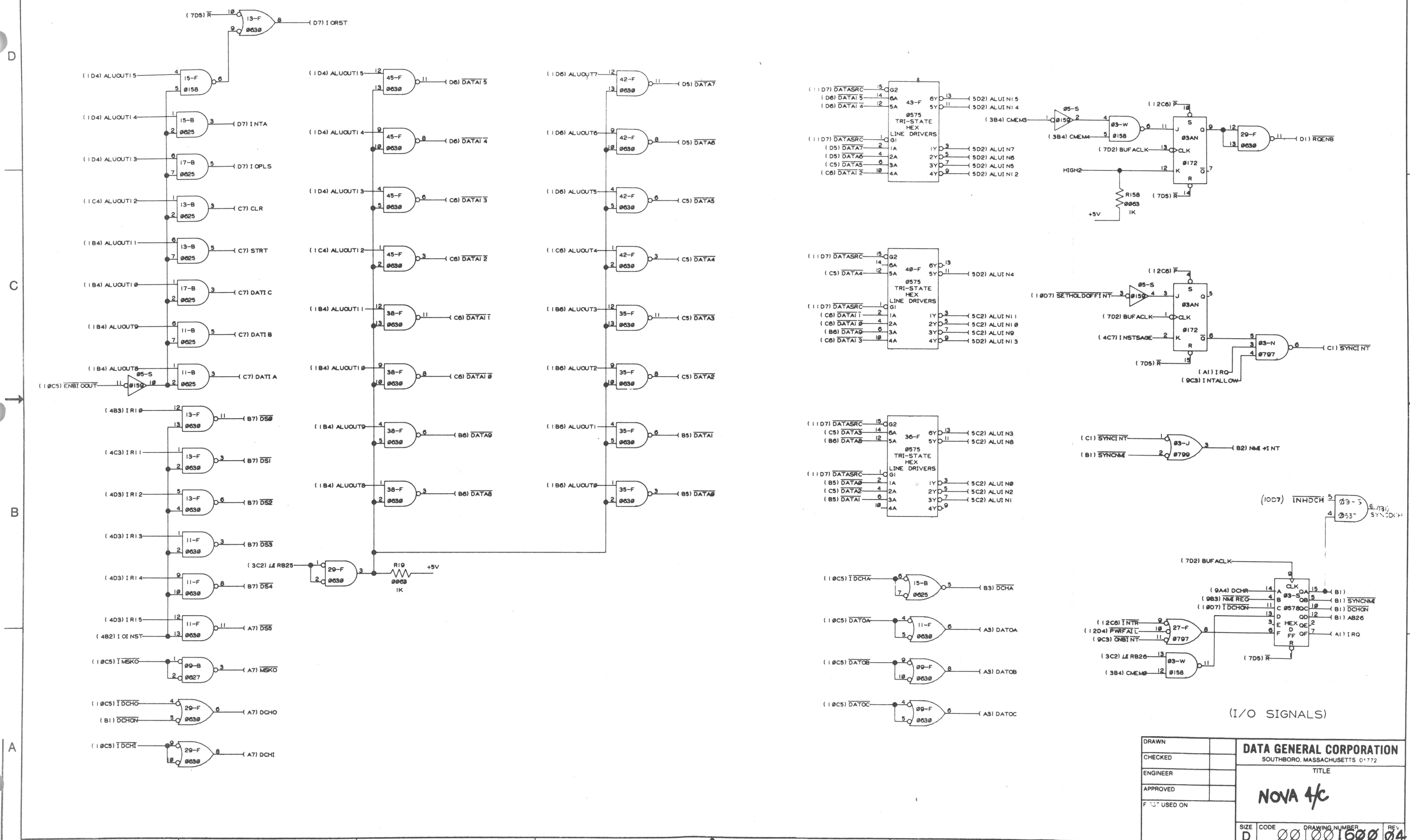


MEMORY SIZE	RAMS	location
8K X 16 BIT	100-1250	33-46AU, 33-46AR, 33-46AN
16K X 16 BIT	100-1100	33-46AU, 33-46AN
32K X 16 BIT	100-1100	33-46AU, 33-46AR, 33-46AN

DRAWN	DATA GENERAL CORPORATION SOUTHBORO, MASSACHUSETTS 01172 NOVA 4/C		
CHECKED			
ENGINEER			
APPROVED			
FIRST USED ON			
SIZE	CODE	DRAWING NUMBER	REV
D	00	1001000	04

THIS DRAWING AND SPECIFICATIONS HEREIN ARE THE PROPERTY OF DATA GENERAL CORPORATION AND SHALL NOT BE REPRODUCED OR COPIED OR USED IN WHOLE OR IN PART AS THE BASIS FOR MANUFACTURE OR SALE OF ITEMS WITHOUT WRITTEN PERMISSION

REVISIONS				
REV	DESCRIPTION	DRFTG	APP BY	DATE



DRAWN		DATA GENERAL CORPORATION SOUTHBORO, MASSACHUSETTS 01772 TITLE <h1>NOVA 4/c</h1>	
CHECKED			
ENGINEER			
APPROVED			
FIRST USED ON			
SIZE	CODE	DRAWING NUMBER	REV
D	001001600	04	04

THIS DRAWING AND SPECIFICATIONS HEREIN ARE THE PROPERTY OF DATA GENERAL CORPORATION AND SHALL NOT BE REPRODUCED OR COPIED OR USED IN WHOLE OR IN PART AS THE BASIS FOR MANUFACTURE OR SALE OF ITEMS WITHOUT WRITTEN PERMISSION

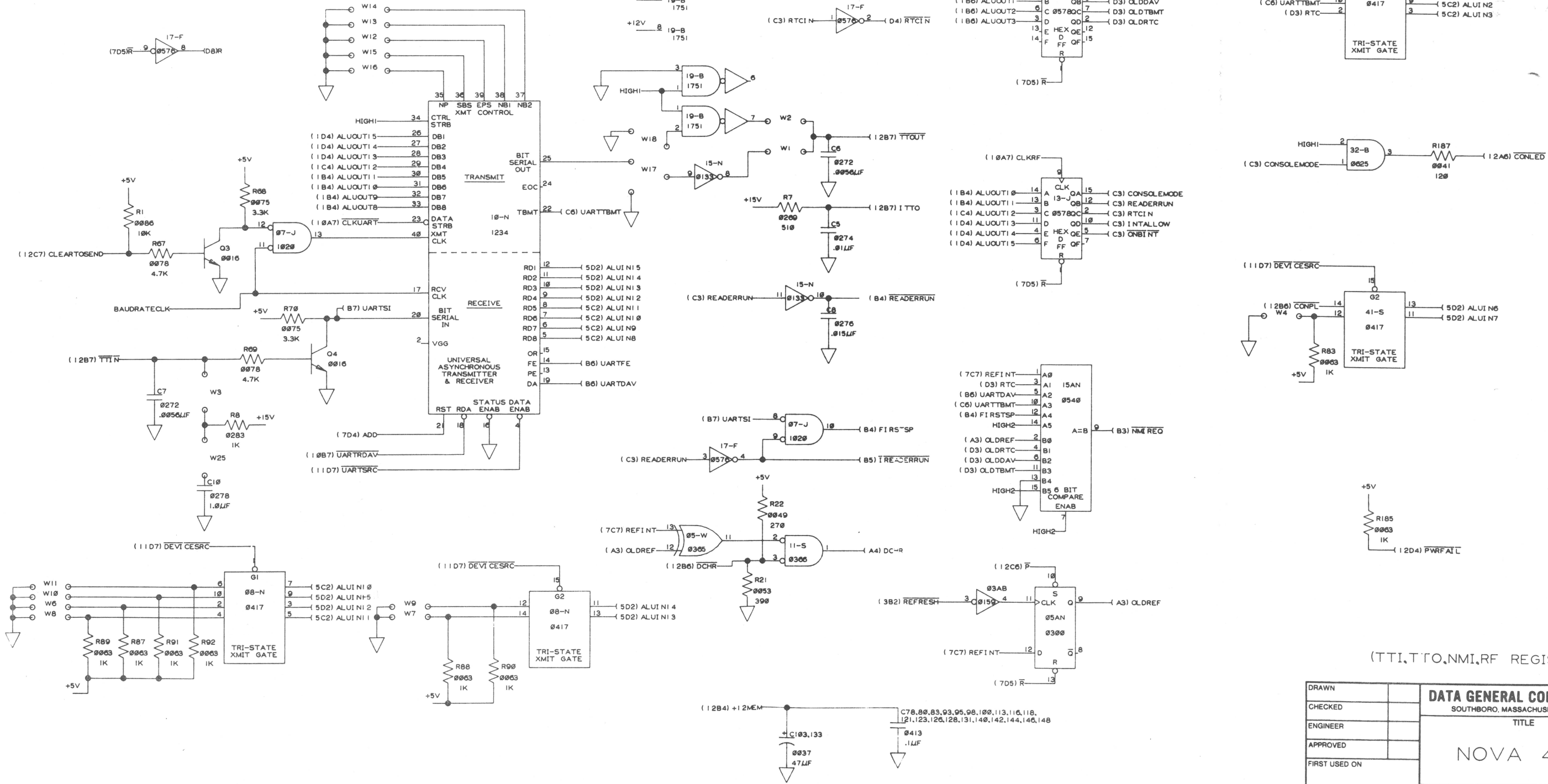
REVISIONS				
REV	DESCRIPTION	DRFTG	APP BY	DATE

D

C

B

A



(TTI, TTO, NMI, RF REGISTER)

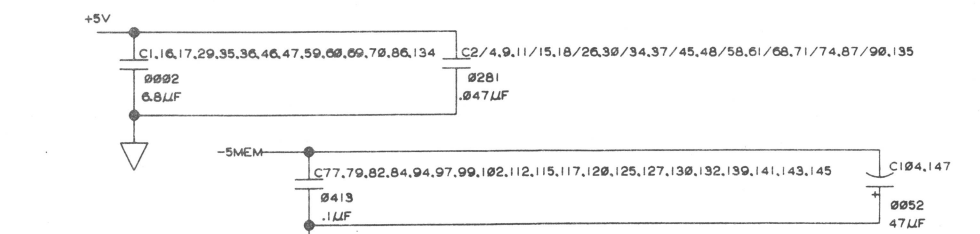
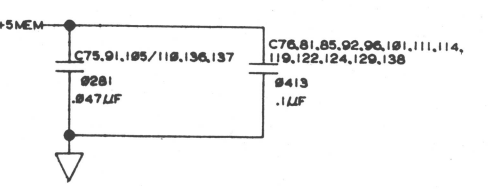
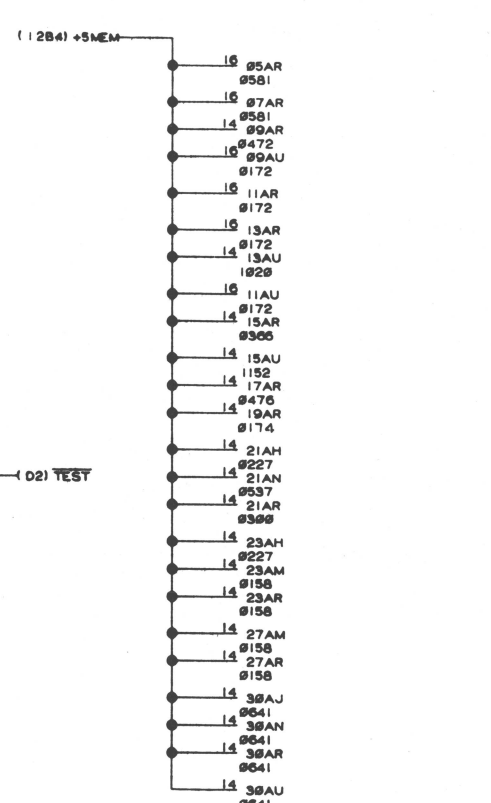
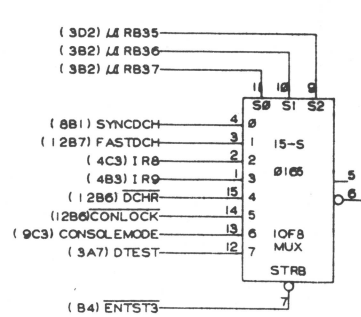
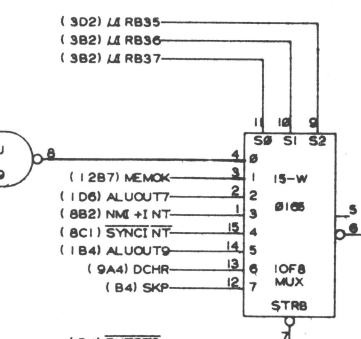
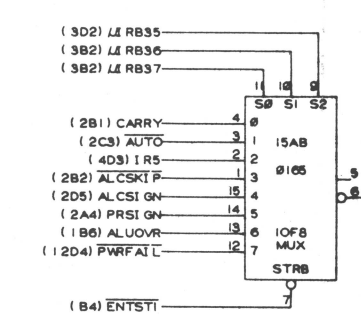
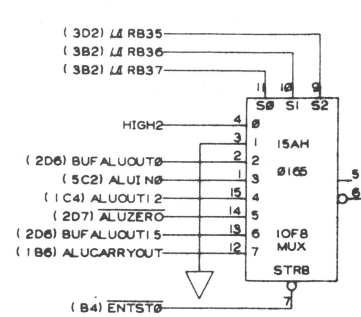
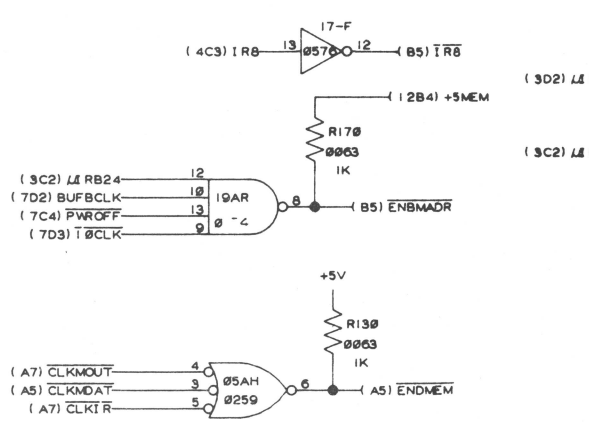
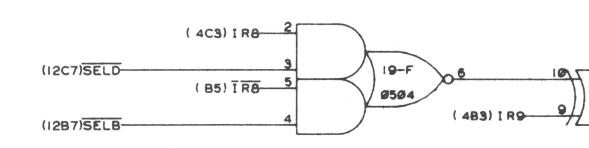
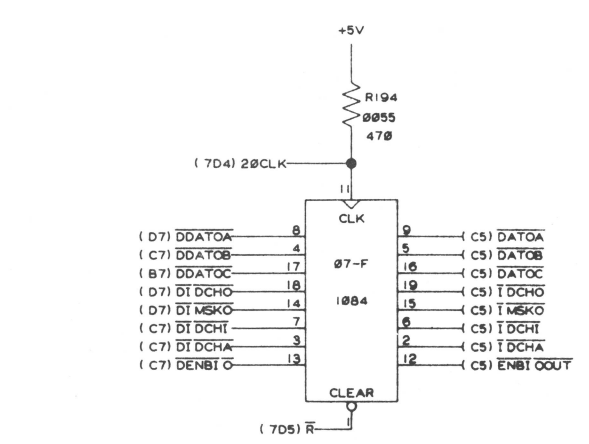
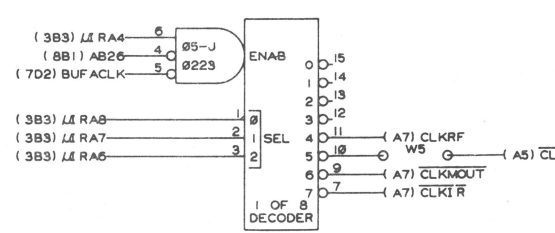
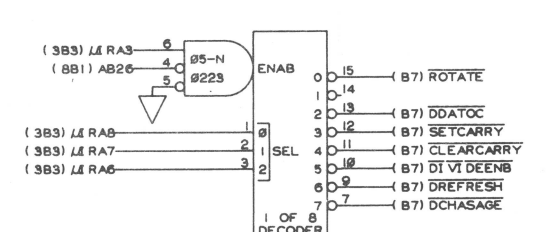
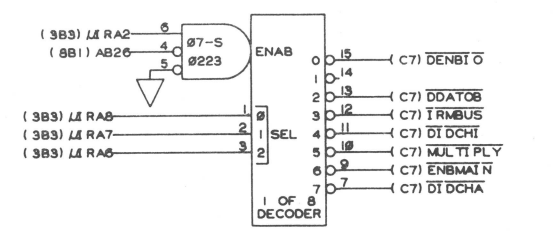
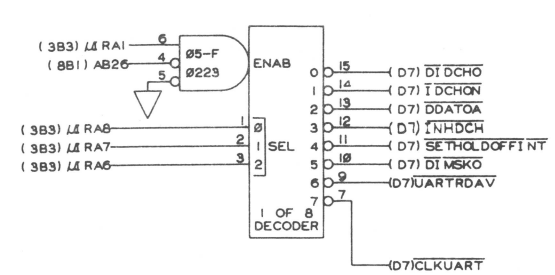
DRAWN		DATA GENERAL CORPORATION SOUTHBORO, MASSACHUSETTS 01772 TITLE NOVA 4/C SIZE CODE DRAWING NUMBER REV D 001001600 04
CHECKED		
ENGINEER		
APPROVED		
FIRST USED ON		

A

SHEET 9 of 12

THIS DRAWING AND SPECIFICATIONS HEREIN ARE THE PROPERTY OF DATA GENERAL CORPORATION AND SHALL NOT BE REPRODUCED OR COPIED OR USED IN WHOLE OR IN PART AS THE BASIS FOR MANUFACTURE OR SALE OF ITEMS WITHOUT WRITTEN PERMISSION

REVISIONS				
REV	DESCRIPTION	DRFTG	APP BY	DATE



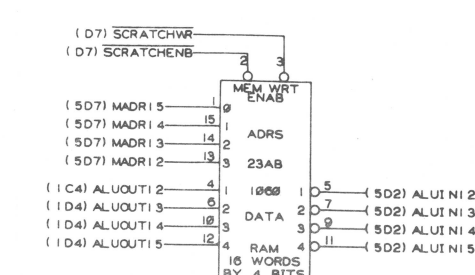
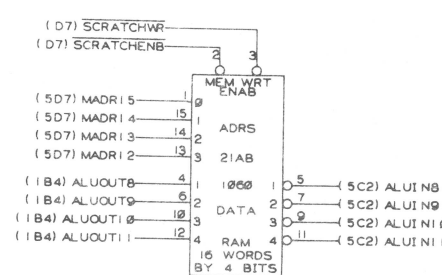
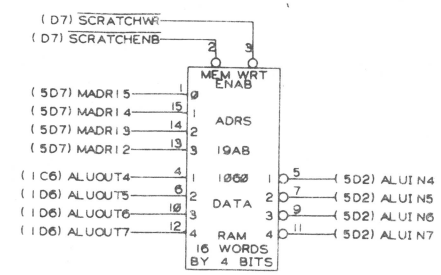
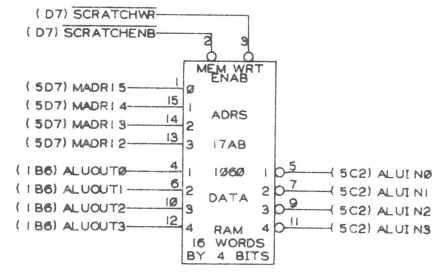
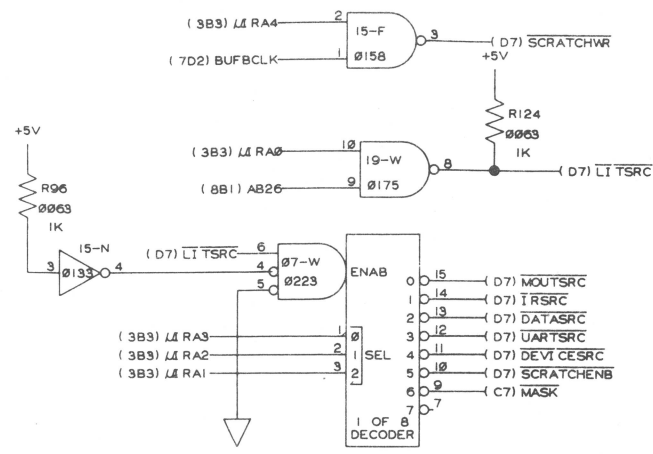
(RANDOM DECODERS, TEST MUX)

DRAWN		DATA GENERAL CORPORATION			
CHECKED		SOUTHBORO, MASSACHUSETTS 01772			
ENGINEER		TITLE			
APPROVED		NOVA 4/C			
FIRST USED ON		SIZE	CODE	DRAWING NUMBER	REV
		D	001001	60004	04

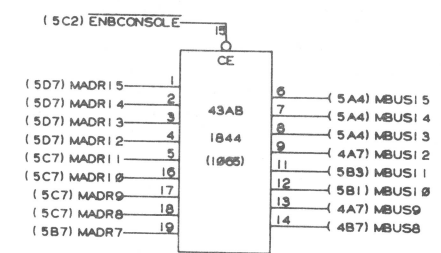
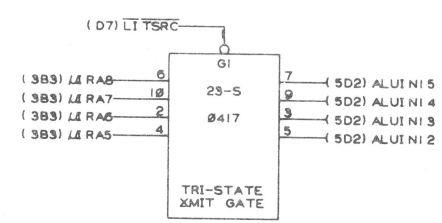
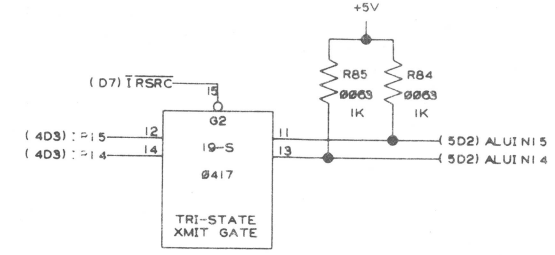
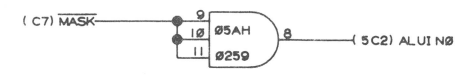
THIS DRAWING AND SPECIFICATIONS HEREIN ARE THE PROPERTY OF DATA GENERAL CORPORATION AND SHALL NOT BE REPRODUCED OR COPIED OR USED IN WHOLE OR IN PART AS THE BASIS FOR MANUFACTURE OR SALE OF ITEMS WITHOUT WRITTEN PERMISSION

REVISIONS				
REV	DESCRIPTION	DRFTG	APP BY	DATE

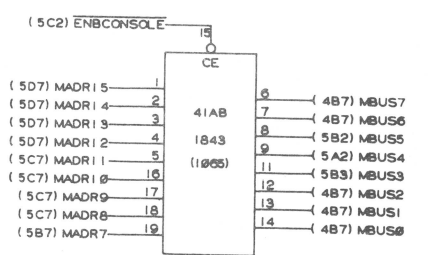
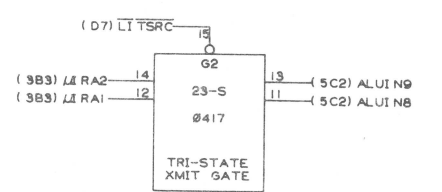
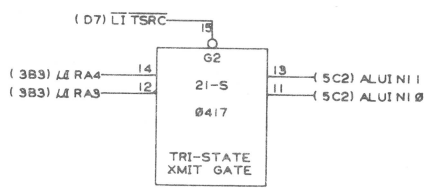
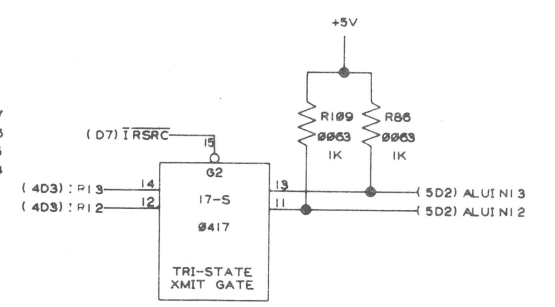
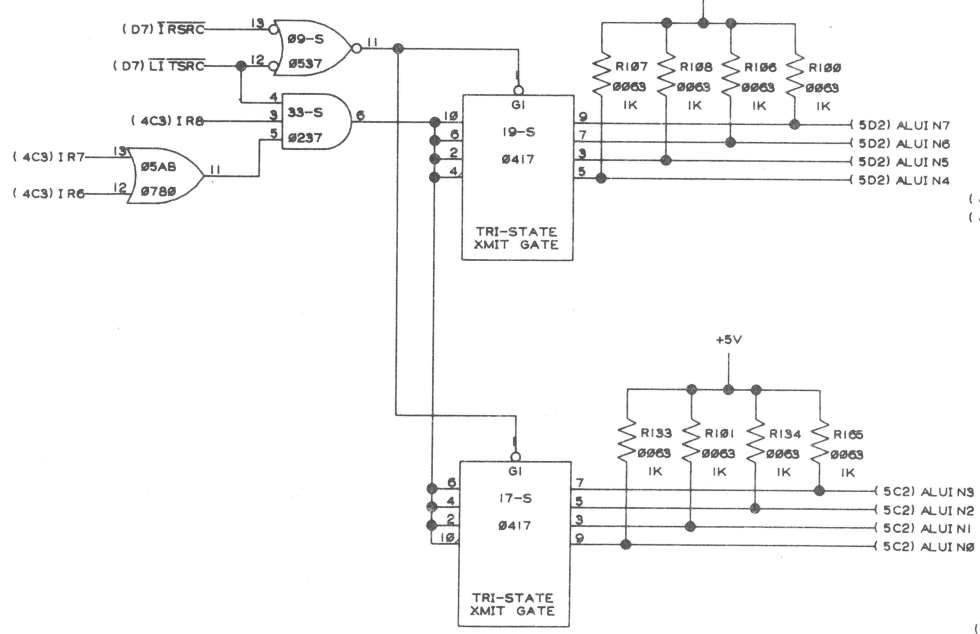
D



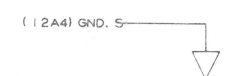
C



B



A



(SOURCE DECODERS, BUFFERS)

DRAWN		DATA GENERAL CORPORATION SOUTHBORO, MASSACHUSETTS 01772 TITLE <h1>NOVA 4/C</h1>	
CHECKED			
ENGINEER			
APPROVED			
FIRST USED ON			
SIZE	CODE	DRAWING NUMBER	REV
D		001001600	04

8

7

6

5

4

3

2

1

THIS DRAWING AND SPECIFICATIONS HEREIN ARE THE PROPERTY OF DATA GENERAL CORPORATION AND SHALL NOT BE REPRODUCED OR COPIED OR USED IN WHOLE OR IN PART AS THE BASIS FOR MANUFACTURE OR SALE OF ITEMS WITHOUT WRITTEN PERMISSION

REV	DESCRIPTION	DRFTG	APP BY	DATE
3				

- A001 O (A4) GND. S
- A002 O (A4) GND. S
- A003 O (B4) +5V
- A004 O (B4) +5V
- A005 O
- A006 O
- A007 O
- A008 O
- A009 O
- A010 O (DB) +15V
- A011 O
- A012 O
- A013 O
- A014 O
- A015 O
- A016 O
- A017 O
- A018 O
- A019 O
- A020 O
- A021 O
- A022 O
- A023 O
- A024 O
- A025 O
- A026 O
- A027 O
- A028 O
- A029 O
- A030 O
- A031 O
- A032 O
- A033 O
- A034 O
- A035 O
- A036 O (BB)EXTA@CLK
- A037 O
- A038 O (BA7) NSKO
- A039 O
- A040 O (BD7) INTA
- A041 O
- A042 O (BC7) DATI B
- A043 O
- A044 O (BC7) DATI A
- A045 O
- A046 O (BB7) DSS
- A047 O
- A048 O (BA3) DATOC
- A049 O
- A050 O (BC7) CLR

- A051 O
- A052 O (BC7) STRT
- A053 O
- A054 O (BC7) DATI C
- A055 O
- A056 O (BA3) DATOB
- A057 O
- A058 O (BA3) DATOA
- A059 O
- A060 O (BB3) DCHA
- A061 O
- A062 O (BB7) DS4
- A063 O
- A064 O (BA7) DS5
- A065 O
- A066 O (BB7) DS2
- A067 O
- A068 O (BB7) DS1
- A069 O
- A070 O (BD7) I ORST
- A071 O
- A072 O (BB7) DS6
- A073 O
- A074 O (BD7) I OPLS
- A075 O
- A076 O
- A077 O
- A078 O
- A079 O
- A080 O (C7) SELD
- A081 O (C7) CLEAR TO SEND
- A082 O (B7) SELB
- A083 O (B7) I TTO
- A084 O
- A085 O (B7) TTOUT
- A086 O
- A087 O
- A088 O (B7) LCLK
- A089 O (DB4) READERRUN
- A090 O (DB6) 500HZ
- A091 O
- A092 O
- A093 O (B7) TTIN
- A094 O (B7) FASTDCH
- A095 O (B7) MEMCK
- A096 O (B4) +5V
- A097 O
- A098 O (B4) +5V
- A099 O (A4) GND. S
- A100 O (A4) GND. S

- B001 O (A4) GND. S
- B002 O (A4) GND. S
- B003 O (B4) +5V
- B004 O (B4) +5V
- B005 O
- B006 O
- B007 O
- B008 O
- B009 O
- B010 O
- B011 O
- B012 O
- B013 O
- B014 O
- B015 O
- B016 O
- B017 O (C6) DCHM0
- B018 O
- B019 O
- B020 O
- B021 O
- B022 O
- B023 O (C6) TESTRESET
- B024 O
- B025 O (C6) P
- B026 O
- B027 O
- B028 O
- B029 O (C6) INTR
- B030 O
- B031 O
- B032 O
- B033 O (BA7) DCHO
- B034 O
- B035 O (BB) DCHR
- B036 O
- B037 O (BA7) DCHI
- B038 O
- B039 O
- B040 O (BB) CONLOCK
- B041 O (BD1) RGENB
- B042 O
- B043 O
- B044 O
- B045 O
- B046 O
- B047 O
- B048 O (BB) CONPL
- B049 O (AB) CONLED
- B050 O

- B051 O (D4) CONRSTH
- B052 O (D4) CONRSTL
- B053 O
- B054 O (D4) PWRFAI L
- B055 O (BD5) DATA7
- B056 O (BD6) DATA4
- B057 O (BC5) DATA5
- B058 O (BC6) DATA1
- B059 O (BC6) DATA2
- B060 O (BB6) DATA8
- B061 O (BC5) DATA4
- B062 O (BB5) DATA0
- B063 O (BB6) DATA9
- B064 O (BC6) DATA3
- B065 O (BB5) DATA1
- B066 O (BD6) DATA5
- B067 O
- B068 O
- B069 O
- B070 O (B4) +12MEM
- B071 O (B4) +12MEM
- B072 O (B4) +12MEM
- B073 O (BC5) DATA3
- B074 O
- B075 O (BC6) DATA0
- B076 O
- B077 O (C7) -11V
- B078 O
- B079 O (7D0)PWROK
- B080 O
- B081 O
- B082 O (BC5) DATA2
- B083 O
- B084 O
- B085 O
- B086 O
- B087 O (B4)+12V
- B088 O (B4)+12V
- B089 O
- B090 O (B4)+12V
- B091 O (B4) -5MEM
- B092 O
- B093 O (B4) +5MEM
- B094 O (B4) +5MEM
- B095 O (BD5) DATA0
- B096 O (B4) MEMDI SASTER
- B097 O (B4) +5V
- B098 O (B4) +5V
- B099 O (A4) GND. S
- B100 O (A4) GND. S



DRAWN		DATA GENERAL CORPORATION	
CHECKED		SOUTHBORO, MASSACHUSETTS C1772	
ENGINEER		TITLE	
APPROVED		NOVA 4/C	
FIRST USED ON			
SIZE	D	CODE	DRAWING NUMBER
			001001600 04
		REV	3
		SHEET 12 of 12	