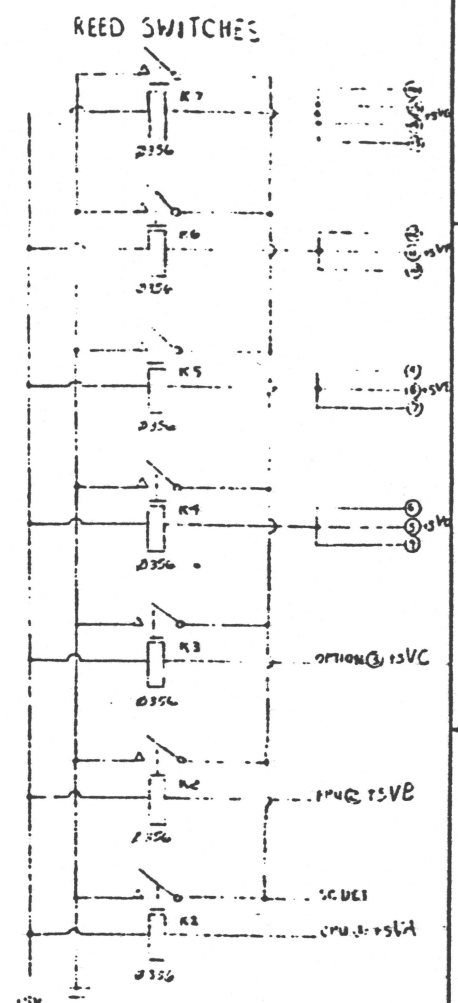
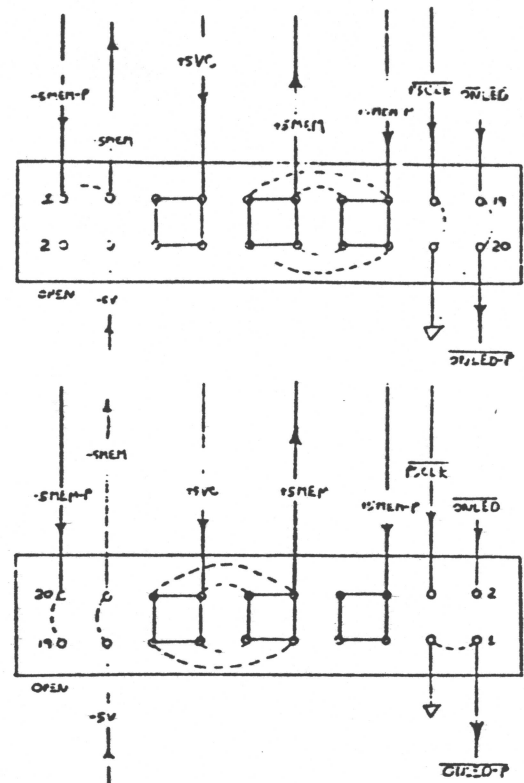
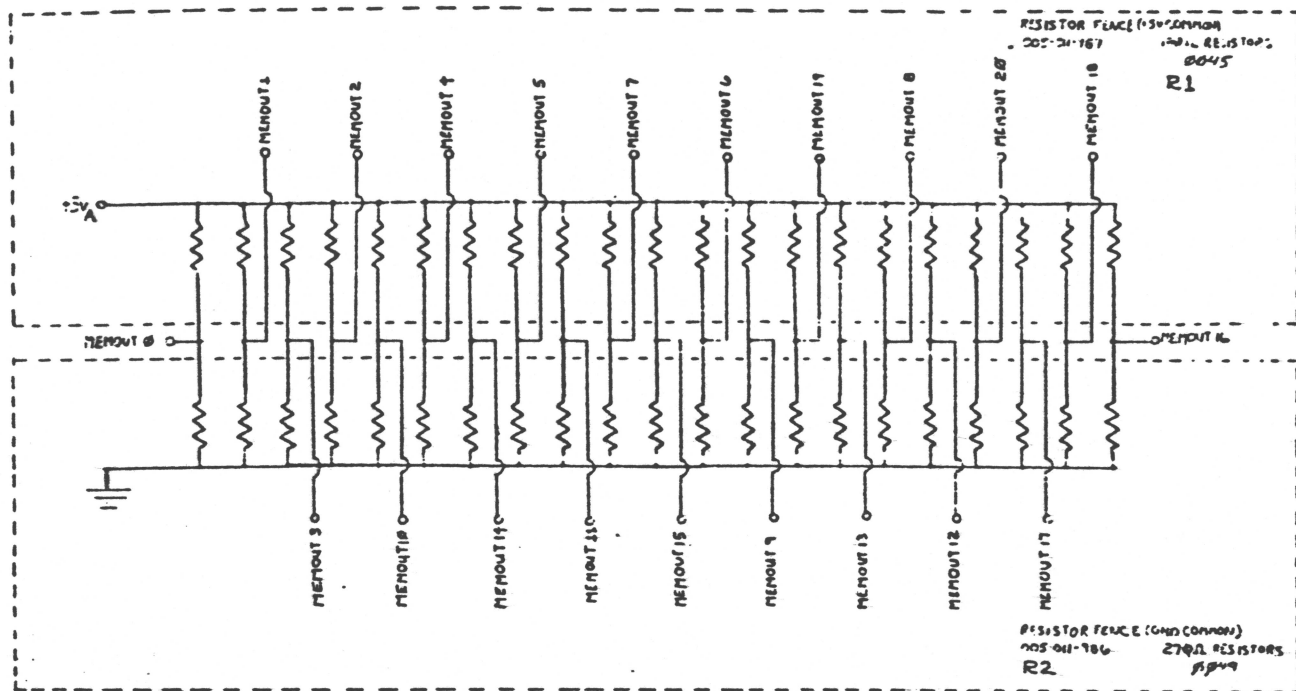


THIS DRAWING AND SPECIFICATIONS HEREIN ARE THE PROPERTY OF DATA GENERAL CORPORATION AND SHALL NOT BE REPRODUCED OR COPIED OR IN ANY MANNER OR BY ANY MEANS WITHOUT THE WRITTEN PERMISSION OF DATA GENERAL CORPORATION.

REVISIONS				
REV	DESCRIPTION	DRFTG	APP BY	DATE
001				



- NOTES:
1. QUOTES JUMPER ON PLUS
 2. TEST PLUG IS ROTATED 180° TO CONVERT FROM "NORMAL" TO "TEST."
 3. @ INDICATES SLOT
 4. ASSEMBLY NO. FOR RELAYS IS 00Y-000529
 5. REED SWITCH CURRENT TRIP AT 22 AMP.

ITEM	QTY	DESCRIPTION	PART NO
DO NOT SCALE DRAWING UNLESS OTHERWISE SPECIFIED USE D.G.C. SPECIFICATION 100 00000 FOR TOLERANCES AND WORKMANSHIP REQUIREMENTS MATERIAL	DRAWN		
	CHECKED		
	ENGINEER		
	APPROVED		
	FIRST USED ON		
FINISH	SCALE	CODE IDENT	SIZE
		34984	D 641
		SIZE	CODE
		1583	
		DRAWING NUMBER	REV
			01

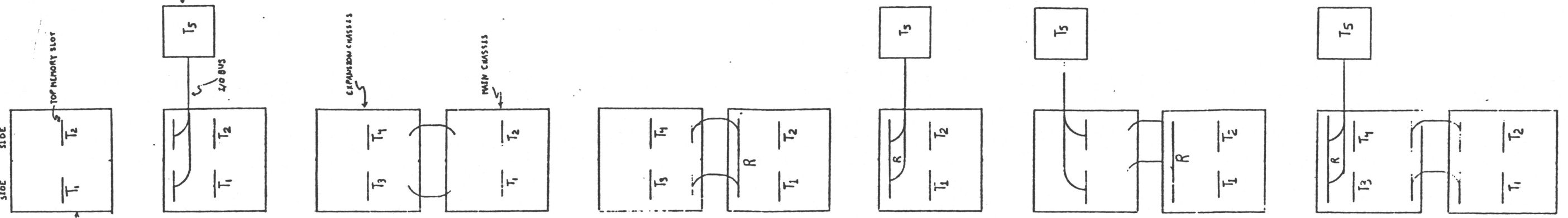
DATA GENERAL CORPORATION
SOUTHBORO, MASS. 01772
TITLE
DGC BACKPLANE

549

THE DIMENSIONS AND SPECIFICATIONS, HEREIN, ARE THE PROPERTY OF DATA GENERAL CORPORATION AND SHALL NOT BE REPRODUCED OR COPIED IN WHOLE OR IN PART OR IN ANY MANNER WITHOUT THE WRITTEN PERMISSION OF DATA GENERAL CORPORATION.

REVISIONS				
REV	DESCRIPTION	DRAFTG	APP BY	DATE
001	ASB			

SYSTEM CONFIGURATION OF TERMINATORS



LEGEND TO TERMINATOR TABLE

TERMINATORS

EXAMPLE 3

SIGNAL NAMES: TERMINATORS

1	DATA	FPBCLK	DATA
2			
3			
4			
5			
6			

- NOTES:**
1. T1 TERMINATOR 'A' SIDE 003-02418
 2. T2 TERMINATOR 'B' SIDE 003-02419
 3. T3 TERMINATOR EXPANSION CHASSIS 'A' SIDE 003-01706
 4. T4 TERMINATOR EXPANSION CHASSIS 'B' SIDE 003-01707
 5. T5 TERMINATOR I/O BUS
 6. R: BUS REPEATER

	T1	T2	T3	T4	T5
1	GND				
2	15V				
3	MEMIN 0				
4	MEMOUT 0				
5	MEMIN 1				
6	MEMOUT 1				
7	MEMIN 2				
8	MEMOUT 2				
9	MEMIN 3				
10	MEMOUT 3				
11	MEMIN 4				
12	MEMOUT 4				
13	MEMIN 5				
14	MEMOUT 5				
15	MEMIN 6				
16	MEMOUT 6				
17	MEMIN 7				
18	MEMOUT 7				
19	MEMIN 8				
20	MEMOUT 8				
21	MEMIN 9				
22	MEMOUT 9				
23	MEMIN 10				
24	MEMOUT 10				
25	MEMIN 11				
26	MEMOUT 11				
27	MEMIN 12				
28	MEMOUT 12				
29	MEMIN 13				
30	MEMOUT 13				
31	MEMIN 14				
32	MEMOUT 14				
33	GND				
34	FPBCLK				
35	DATA				
36	DATA				
37	DATA				
38	DATA				
39	DATA				
40	DATA				
41	DATA				
42	DATA				
43	DATA				
44	DATA				
45	DATA				
46	DATA				
47	DATA				
48	DATA				
49	DATA				
50	DATA				
51	DATA				
52	DATA				
53	DATA				
54	DATA				
55	DATA				
56	DATA				
57	DATA				
58	DATA				
59	DATA				
60	DATA				
61	DATA				
62	DATA				
63	DATA				
64	DATA				
65	DATA				
66	DATA				
67	DATA				
68	DATA				
69	DATA				
70	DATA				
71	DATA				
72	DATA				
73	DATA				
74	DATA				
75	DATA				
76	DATA				
77	DATA				
78	DATA				
79	DATA				
80	DATA				
81	DATA				
82	DATA				
83	DATA				
84	DATA				
85	DATA				
86	DATA				
87	DATA				
88	DATA				
89	DATA				
90	DATA				
91	DATA				
92	DATA				
93	DATA				
94	DATA				
95	DATA				
96	DATA				
97	DATA				
98	DATA				
99	DATA				
100	DATA				

	T1	T2	T3	T4	T5
1	GND				
2	15V				
3	MEMIN 0				
4	MEMOUT 0				
5	MEMIN 1				
6	MEMOUT 1				
7	MEMIN 2				
8	MEMOUT 2				
9	MEMIN 3				
10	MEMOUT 3				
11	MEMIN 4				
12	MEMOUT 4				
13	MEMIN 5				
14	MEMOUT 5				
15	MEMIN 6				
16	MEMOUT 6				
17	MEMIN 7				
18	MEMOUT 7				
19	MEMIN 8				
20	MEMOUT 8				
21	MEMIN 9				
22	MEMOUT 9				
23	MEMIN 10				
24	MEMOUT 10				
25	MEMIN 11				
26	MEMOUT 11				
27	MEMIN 12				
28	MEMOUT 12				
29	MEMIN 13				
30	MEMOUT 13				
31	MEMIN 14				
32	MEMOUT 14				
33	GND				
34	FPBCLK				
35	DATA				
36	DATA				
37	DATA				
38	DATA				
39	DATA				
40	DATA				
41	DATA				
42	DATA				
43	DATA				
44	DATA				
45	DATA				
46	DATA				
47	DATA				
48	DATA				
49	DATA				
50	DATA				
51	DATA				
52	DATA				
53	DATA				
54	DATA				
55	DATA				
56	DATA				
57	DATA				
58	DATA				
59	DATA				
60	DATA				
61	DATA				
62	DATA				
63	DATA				
64	DATA				
65	DATA				
66	DATA				
67	DATA				
68	DATA				
69	DATA				
70	DATA				
71	DATA				
72	DATA				
73	DATA				
74	DATA				
75	DATA				
76	DATA				
77	DATA				
78	DATA				
79	DATA				
80	DATA				
81	DATA				
82	DATA				
83	DATA				
84	DATA				
85	DATA				
86	DATA				
87	DATA				
88	DATA				
89	DATA				
90	DATA				
91	DATA				
92	DATA				
93	DATA				
94	DATA				
95	DATA				
96	DATA				
97	DATA				
98	DATA				
99	DATA				
100	DATA				

546 MEM
3 of 3

ITEM	QTY	DESCRIPTION	PART NO
DO NOT SCALE DRAWING			
UNLESS OTHERWISE SPECIFIED			
USE D & C SPECIFICATION			
100 00000 FOR TOLERANCES AND WORKMANSHIP REQUIREMENTS			
MATERIAL			
FINISH			
DRAWN		DATE	
CHECKED		DATE	
ENGINEER			
APPROVED			
FIRST USED ON			
SCALE		CODE IDENT	SIZE
		34984	D
		CODE	DRAWING NUMBER
		271	1563
		REV	01

DATA GENERAL CORPORATION
SOUTHBORO, MASS. 01772

TITLE
DATA GENERAL BACKPANEL
MEM SLOT Terminator

SHEET 3 OF 3