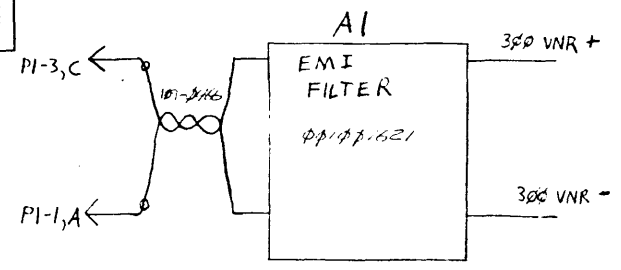
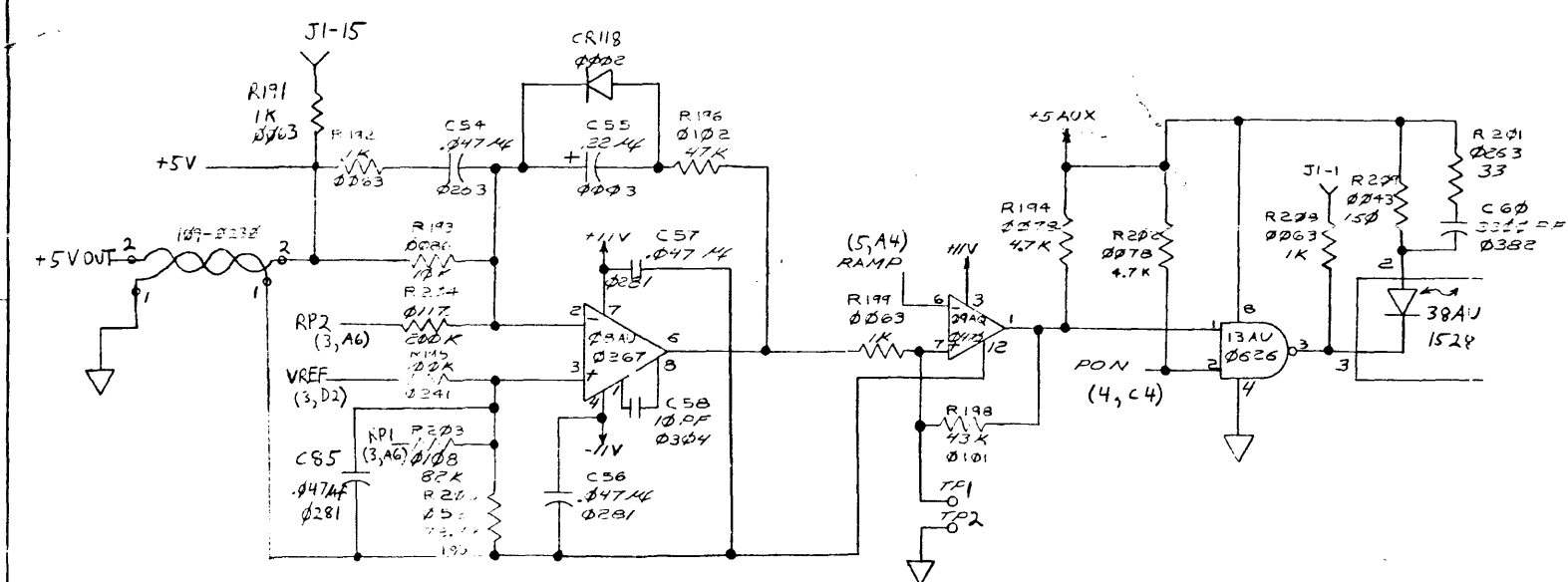
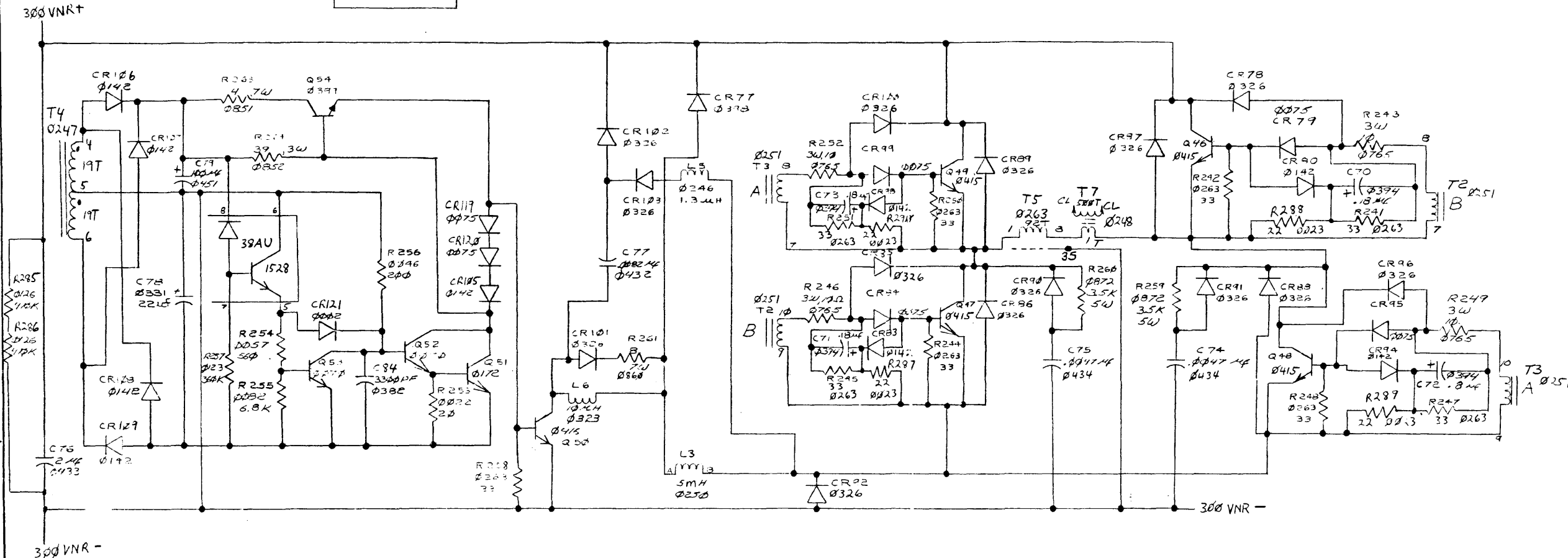


THIS DRAWING AND SPECIFICATIONS HEREIN ARE THE PROPERTY OF DATA GENERAL CORPORATION AND SHALL NOT BE REPRODUCED OR COPIED OR USED IN WHOLE OR IN PART AS THE BASIS FOR MANUFACTURE OR SALE OF ITEMS WITHOUT WRITTEN PERMISSION.



VOLTAGE	RANGE	I MIN	I MAX
+5V	5.1-5.2	15	100
+12V	12.1-12.4	0	12.5
-5V	5.0-5.2	0	3
+15V	14.6-15.1	0	4.5
+12M	11.0-12.1	0	6
+5M	4.9-5.2	.25	9
-5M	4.9-5.1	0	.5

REVISIONS				
REV	DESCRIPTION	DRFTG	APP. BY	DATE
CO	Released per E506			4/77
01	ECO # E570A			4/77
02	ECO E595			4/77
03	ECO F816			5/77
04	ECO F843			5/77
05	ECO F879			5/77
06	ECO*F886			5/77
07	ECO F888			5/77
08	ECO G705			7/77
09	ECO 9471A			7/77
10	ECO 9473			7/77
11	ECO F832			7/77
12	ECO 9690D			7/77
13	ECO 10971			7/77
14	ECO 11384A			7/77
15	PER ECO 11215			7/77
16	PER ECO 11246			7/77
17	PER ECO 11246			7/77
18	PER ECO 11246			7/77



TEST POINTS

1	PWM
2	CURRENT
3	FOR FAIL
4	HVS
5	POK
6	-5V
7	+5AUX
8	H5V
9	GND
10	H2V
11	POW
12	Q30-C
13	Q29-C
14	VREF
15	+5V
16	20K

WARNING: HAZARDOUS VOLTAGES EXIST ON THIS UNIT. SERVICE MUST ONLY BE PERFORMED BY QUALIFIED PERSONNEL.

SEE PAGE 3 FOR ALL NOTES.

016-000871
016000638

+5 Regulator, HV Switching Section

ITEM	QTY	DESCRIPTION	PART NO
ARTWORK: 107			
DO NOT SCALE DRAWING.			
UNLESS OTHERWISE SPECIFIED USE D.G.C. SPECIFICATION 108-000028 FOR TOLERANCES AND WORKMANSHIP REQUIREMENTS			
DRAWN: <i>Paul B. Lab...</i>		DATE: 8/4/78	
CHECKED: <i>[Signature]</i>		DATE: 8/4/78	
ENGINEER: <i>[Signature]</i>		DATE: 1/13/79	
APPROVED: <i>[Signature]</i>		DATE: 1/13/79	
FIRST USED ON: <i>[Signature]</i>		DATE: 1/13/79	
FINISH			
SCALE	CODE IDENT	SIZE	CODE
	34934	D	

DATA GENERAL CORPORATION
SOUTHBORO, MASS. 01772

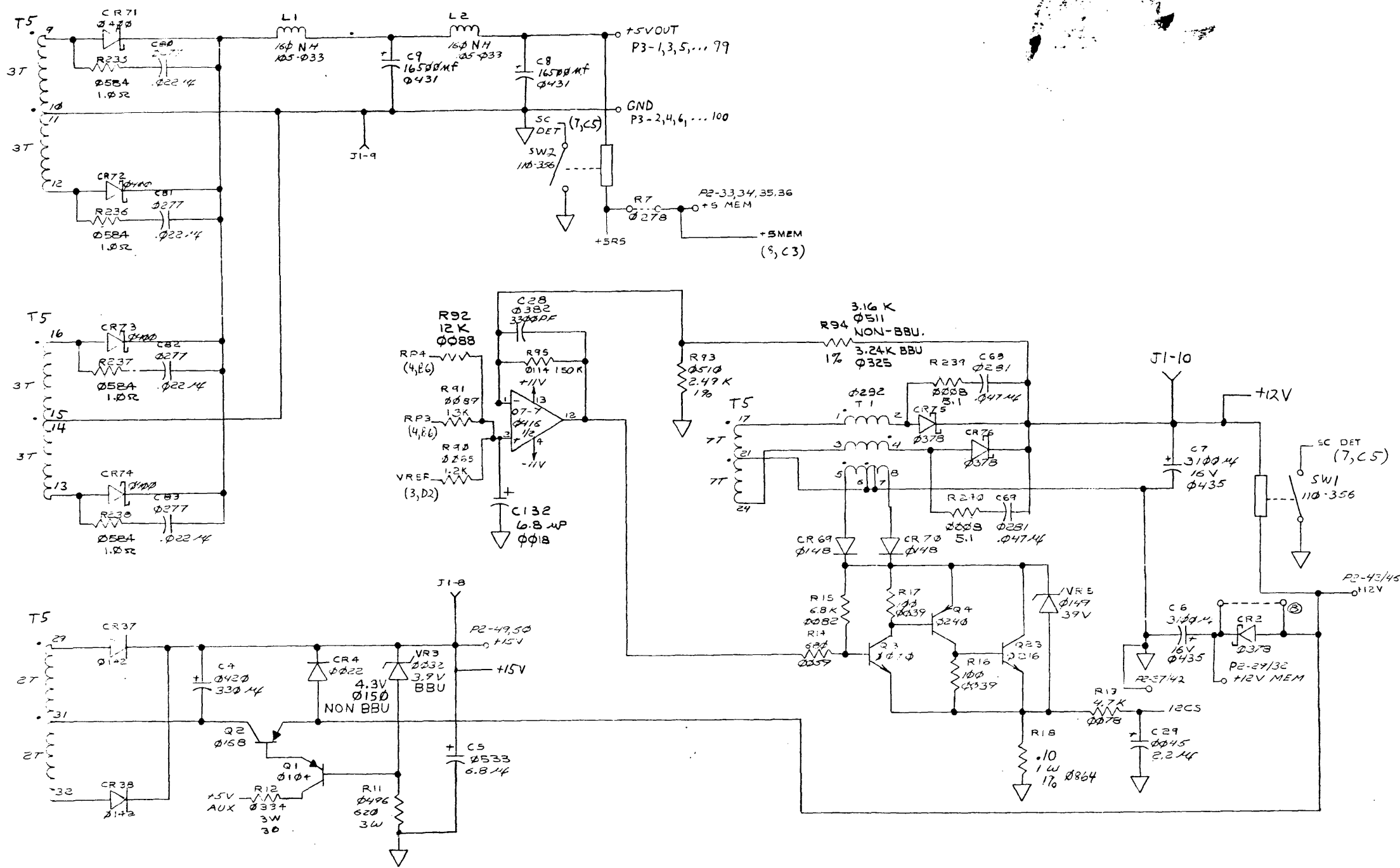
TITLE
NOVA 4 POWER SUPPLY PCB

DRAWING NUMBER: 0160071524
REVISION: 13

936 20411-2

ALL DIMENSIONS AND SPECIFICATIONS HEREIN ARE THE PROPERTY OF DATA GENERAL CORPORATION AND SHALL NOT BE REPRODUCED OR COPIED OR USED IN WHOLE OR IN PART AS THE BASIS FOR MANUFACTURE OR SALE OF ANY PRODUCT WITHOUT WRITTEN PERMISSION.

REVISIONS				
REV.	DESCRIPTION	DRFTG.	APP. BY	DATE



+5V Output, +12 Output + Regulator, +15 Regulator

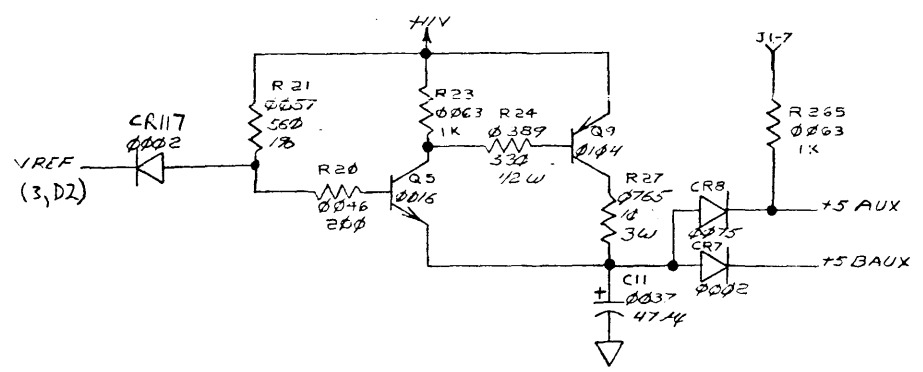
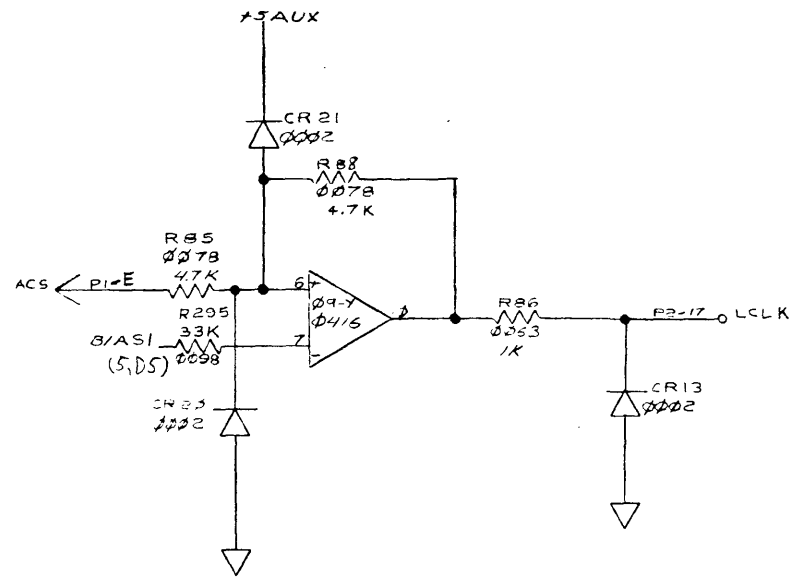
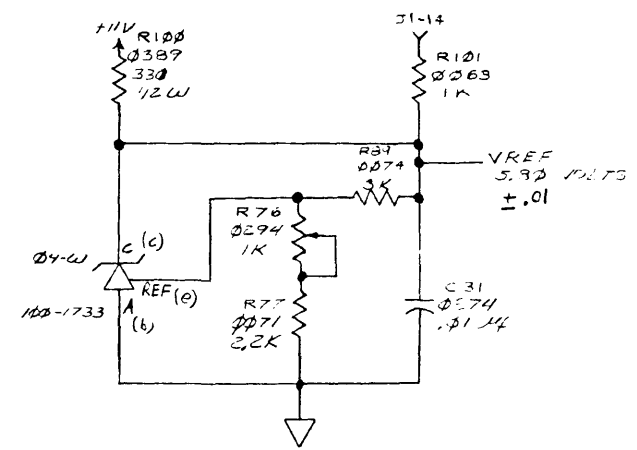
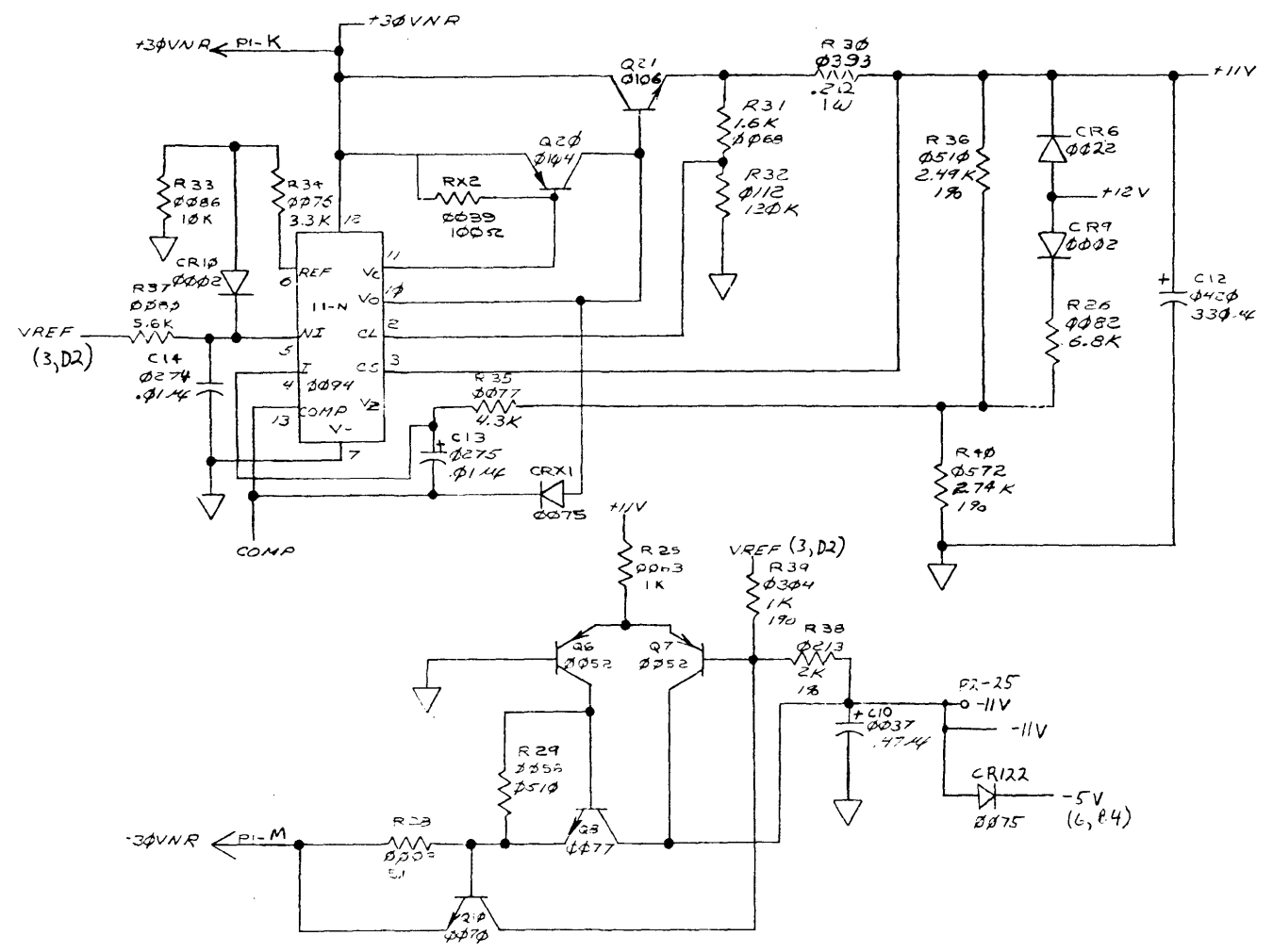
ITEM	QTY	DESCRIPTION	PART NO.
50 NOT SCALE DRAWING.			
UNLESS OTHERWISE SPECIFIED			
USE D.G.C. SPECIFICATION			
108-000028 FOR TOLERANCES AND WORKMANSHIP REQUIREMENTS			
MATERIAL			
FINISH			
DRAWN		DATE	
CHECKED		DATE	
ENGINEER			
APPROVED			
FIRST USED ON			
SCALE	CODE IDENT	SIZE	CODE
	34984	D	
DRAWING NUMBER		REVISION	
001001524		18	

DATA GENERAL CORPORATION
SOUTHBORO, MASS. 01772

TITLE
NOVA 4
POWER SUPPLY
PCB

THIS DRAWING AND SPECIFICATIONS HEREIN ARE THE PROPERTY OF DATA GENERAL CORPORATION AND SHALL NOT BE REPRODUCED OR COPIED OR USED IN WHOLE OR IN PART AS THE BASIS FOR MANUFACTURE OR SALE OF ITEMS WITHOUT WRITTEN PERMISSION

REVISIONS				
REV	DESCRIPTION	DRFTG	APP BY	DATE



- NOTES:
- = 50 EDGE PIN CONNECTORS
 - ← = HIGH VOLTAGE EDGE CONNECTORS
 - TP = TO TEST POINT AT FRONT OF CARD
 - TP X = TERMINAL TEST POINT
 - W3 CONNECTS TO 3A700 FOR BBU VERSION, TO 07-D P116 FOR NON-BBU VERSION.
 - R5, R7 NOT INSTALLED ON BBU VERSION.
 - R6 IS 102-0278 FOR BBU VERSION, 101-0579 FOR NON-BBU VERSION. (CR123)
 - CR2 INSTALLED ON BBU VERSION, REPLACED BY JUMPER WIRE ON NON-BBU VERSION.
 - CR35-CR38, CR99, CR50 TO BE STOOD ON END ALLOWING NO LEAD LENGTH BETWEEN P.C.B. AND DIODE.
 - ALL COMPONENTS ON PAGE B ARE FOR BATTERY BACKUP ONLY EXCEPT R107, R108, C32, CR23 AND ASSOCIATED JUMPER.

+11, -11, and +5Aux Regulators, VREF, LCLK

ITEM	QTY	DESCRIPTION	PART NO

DO NOT SCALE DRAWING UNLESS OTHERWISE SPECIFIED USE D.G.C. SPECIFICATION 108-000028 FOR TOLERANCES AND WORKMANSHIP REQUIREMENTS

MATERIAL

FINISH

DATA GENERAL CORPORATION
SOUTHBORO, MASS. 01772

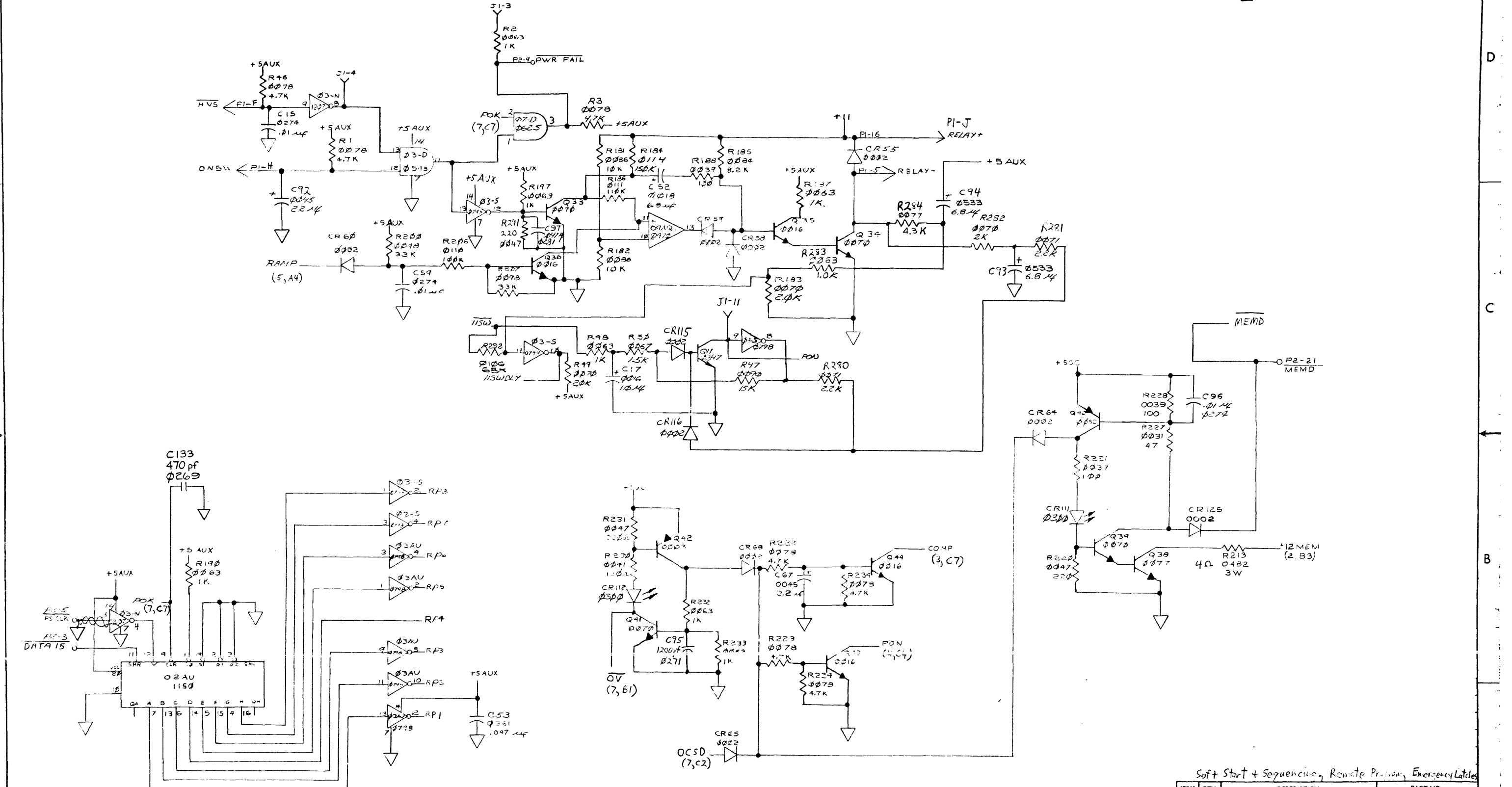
TITLE

NOVA 4
POWER SUPPLY
PCB

SCALE: 34784 D CODE: DRAWING NUMBER: 00101524 REF: 187

THIS DRAWING AND SPECIFICATIONS HEREIN ARE THE PROPERTY OF DATA GENERAL CORPORATION AND SHALL NOT BE REPRODUCED OR COPIED OR USED IN WHOLE OR IN PART AS THE BASIS FOR MANUFACTURE OR SALE OF ITEMS WITHOUT WRITTEN PERMISSION

REVISIONS				
REV	DESCRIPTION	DRFTG	APP BY	DATE
ECO				



Soft Start + Sequencing Remote Primary Emergency Latches

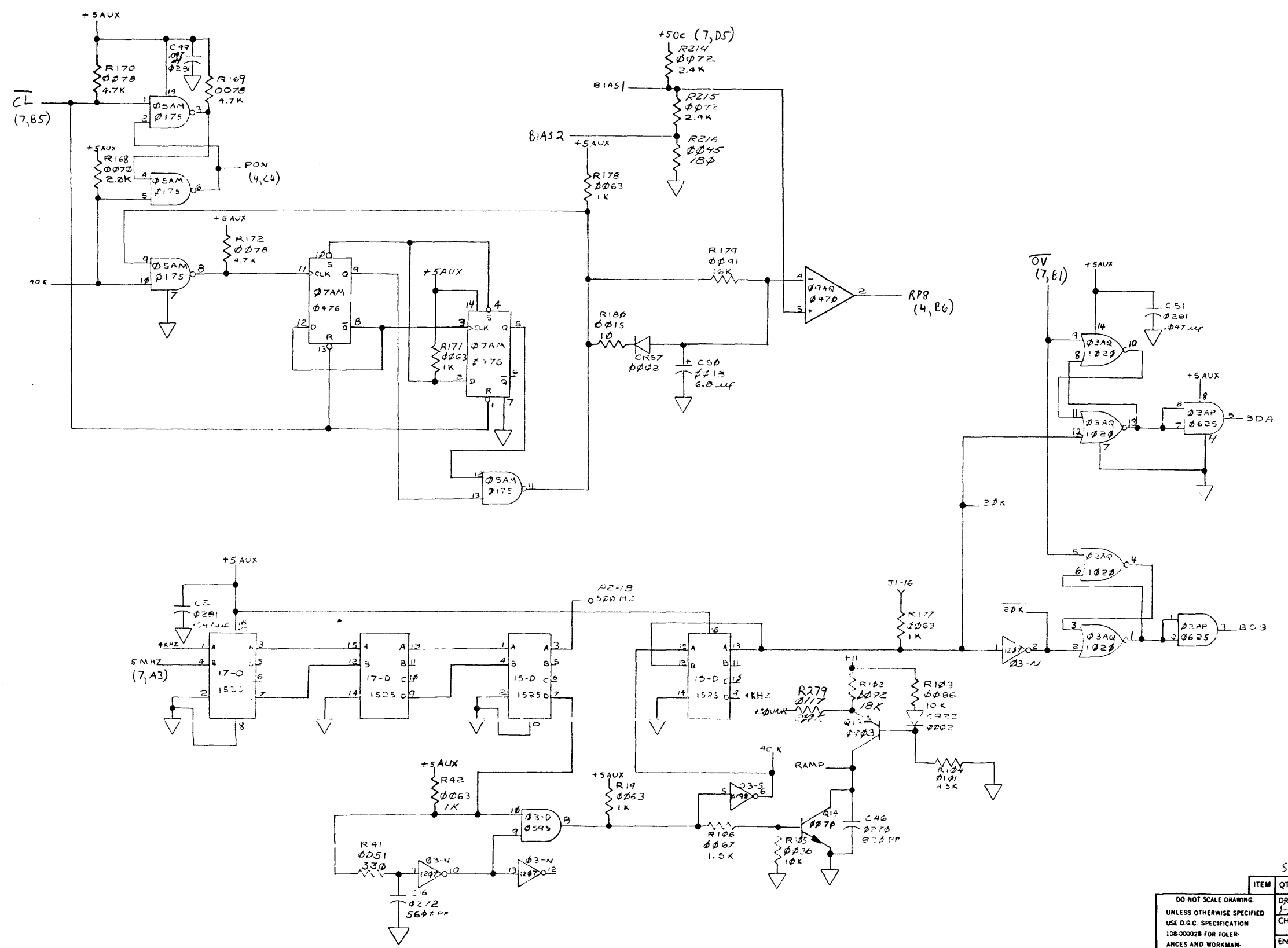
ITEM	QTY	DESCRIPTION	PART NO.
DO NOT SCALE DRAWING.			
UNLESS OTHERWISE SPECIFIED USE D.G.C. SPECIFICATION 108-000028 FOR TOLERANCES AND WORKMANSHIP REQUIREMENTS		DRAWN: <i>[Signature]</i>	
MATERIAL		CHECKED: <i>[Signature]</i>	
FINISH		ENGINEER: <i>[Signature]</i>	
APPROVED: <i>[Signature]</i>		FIRST USED ON:	
SCALE	CODE IDENT	SIZE	CODE
	34984	D	
DRAWING NUMBER			REV
001001524			13

DATA GENERAL CORPORATION
SOUTHBORO, MASS. 01772

TITLE
NOVA 4
POWER SUPPLY
PCB

THIS DRAWING AND SPECIFICATIONS HEREIN ARE THE PROPERTY OF DATA GENERAL CORPORATION AND SHALL NOT BE REPRODUCED OR COPIED OR USED IN WHOLE OR IN PART AS THE BASIS FOR MANUFACTURE OR SALE OF ITEMS WITHOUT WRITTEN PERMISSION.

REVISIONS				
REV.	DESCRIPTION	DRFTG.	APP. BY	DATE



Secondary Clock Dividers, Overcurrent Counter

ITEM	QTY	DESCRIPTION	PART NO.

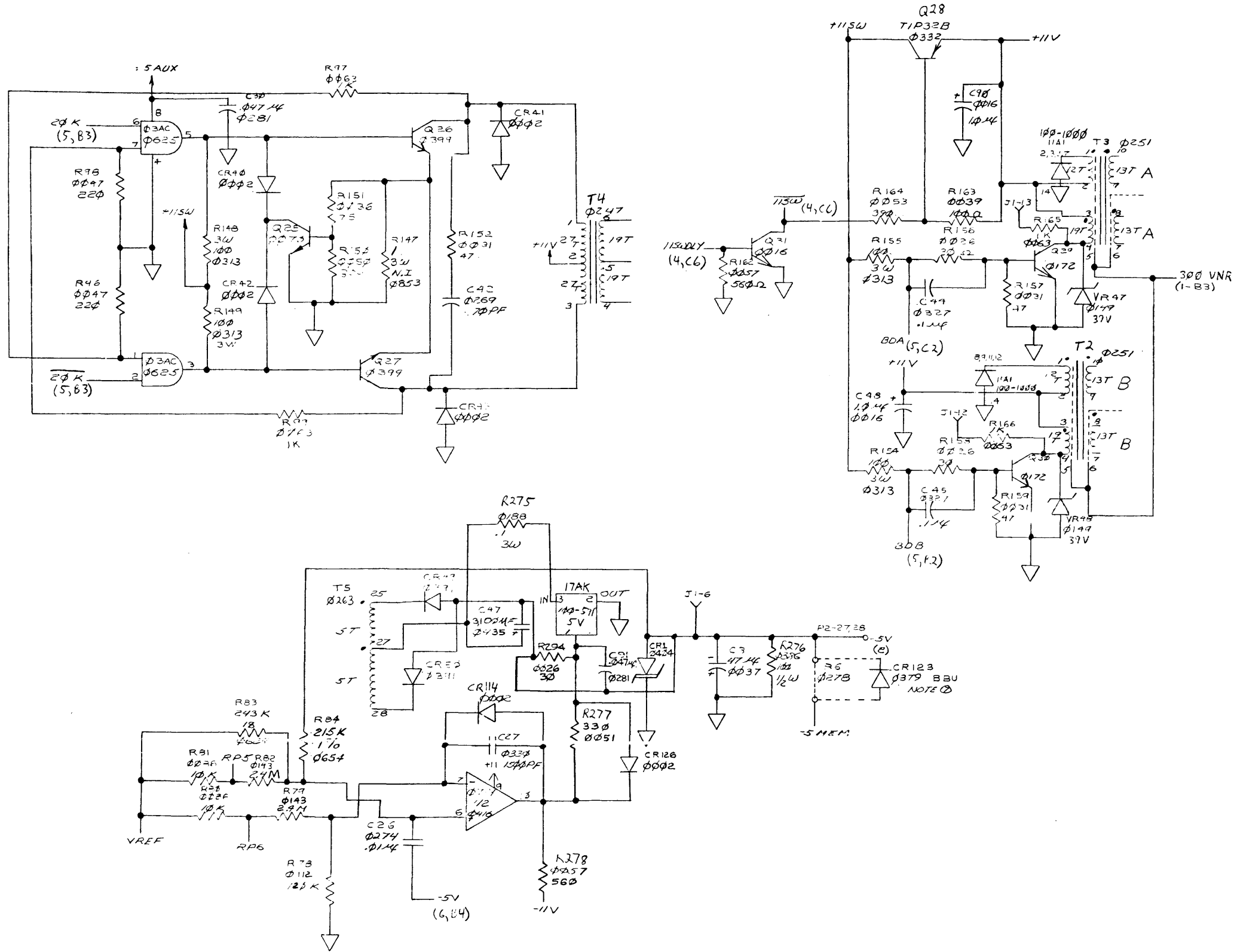
DO NOT SCALE DRAWING. UNLESS OTHERWISE SPECIFIED USE D.G.C. SPECIFICATION 100-000028 FOR TOLER- ANCES AND WORKMAN- SHIP REQUIREMENTS	DRAWN <i>[Signature]</i> CHECKED <i>[Signature]</i> ENGINEER APPROVED FIRST USED: 4	DATA GENERAL CORPORATION SOUTHBORO, MASS. 01772 TITLE NOVA 4 POWER SUPPLY PCB	
FINISH	SCALE	CODE IDENT. 34784	SIZE D
		DRAWING NUMBER 001001524	REV. 7E

BRUNING 40-526-20411-5

013000638

ALL DRAWINGS AND SPECIFICATIONS HEREIN ARE THE PROPERTY OF DATA GENERAL CORPORATION AND SHALL NOT BE REPRODUCED OR COPIED OR USED IN WHOLE OR IN PART AS THE BASIS FOR MANUFACTURE OR SALE OF ANY PRODUCT WITHOUT WRITTEN PERMISSION.

REVISIONS				
REV	DESCRIPTION	DRFTG	APP BY	DATE
ECO				



Base Drivers (Primary side), -5 Volt Output

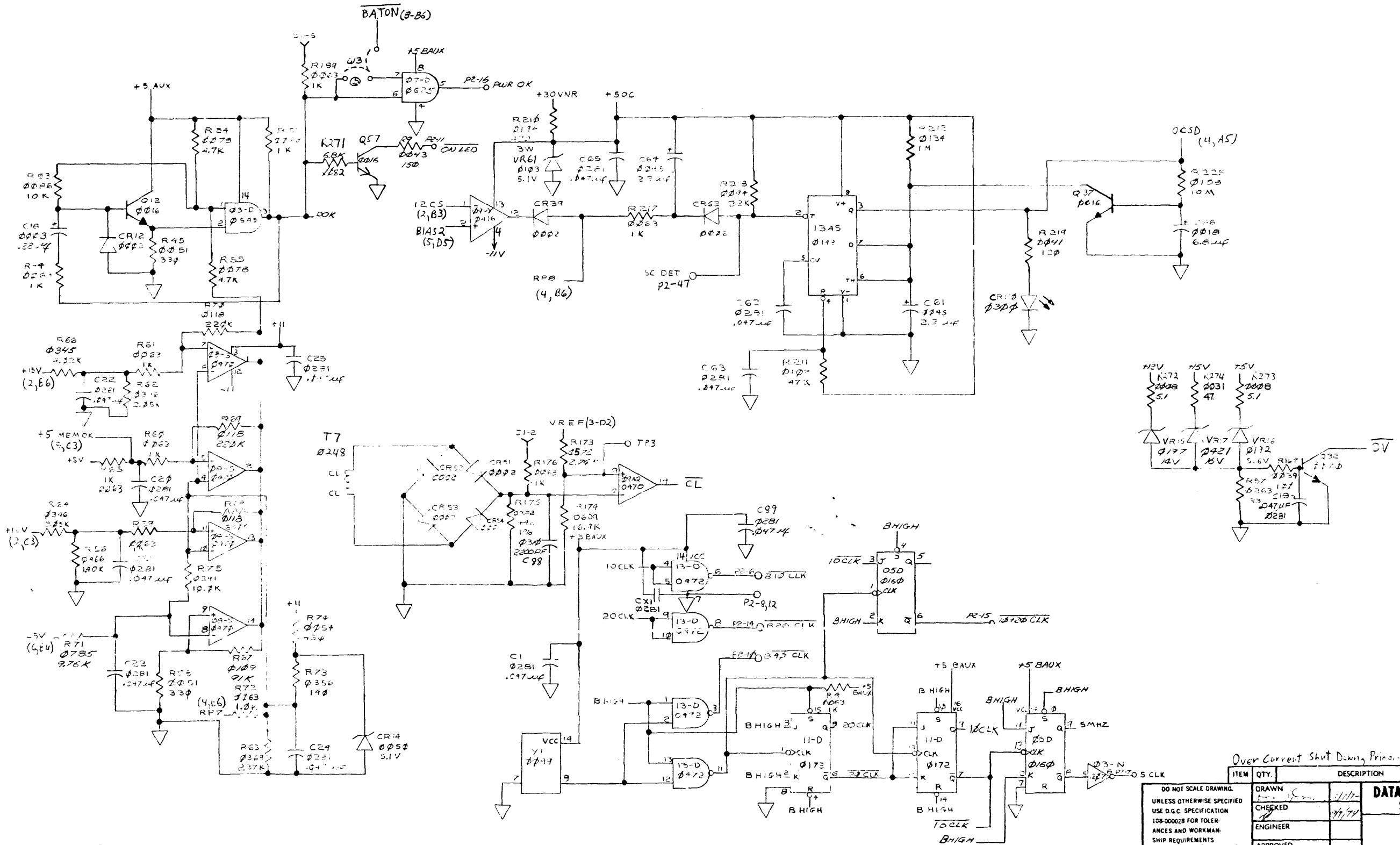
ITEM	QTY	DESCRIPTION	PART NO.
DO NOT SCALE DRAWING. UNLESS OTHERWISE SPECIFIED USE D.G.C. SPECIFICATION 108-000028 FOR TOLERANCES AND WORKMANSHIP REQUIREMENTS.			
DRAWN	2/1/78	Paul Rulak	
CHECKED	2/1/78		
ENGINEER			
APPROVED			
FIRST USED ON			
SCALE	CODE IDENT	SIZE	CODE
	34984	D	
DRAWING NUMBER		REV	
00101524		18	

DATA GENERAL CORPORATION
SOUTHBORO, MASS. 01772

TITLE
NOVA 4
POWER SUPPLY
PCB

THIS DRAWING AND SPECIFICATIONS HEREIN ARE THE PROPERTY OF DATA GENERAL CORPORATION AND SHALL NOT BE REPRODUCED OR COPIED OR USED IN WHOLE OR IN PART AS THE BASIS FOR MANUFACTURE OR SALE OF ITEMS WITHOUT WRITTEN PERMISSION.

REVISIONS			
REV	DESCRIPTION	DRFTG.	APP. BY
1			



Over Current Shut Down, Primary Clocks, PWR OK, CL, OV

ITEM	QTY.	DESCRIPTION	PART NO.
1	1	DO NOT SCALE DRAWING. UNLESS OTHERWISE SPECIFIED USE D.G.C. SPECIFICATION 108-000028 FOR TOLERANCES AND WORKMANSHIP REQUIREMENTS.	
2	1	DRAWN	
3	1	CHECKED	
4	1	ENGINEER	
5	1	APPROVED	
6	1	FIRST USED ON	
7	1	SCALE	
8	1	CODE IDENT.	
9	1	SIZE	
10	1	CODE	
11	1	DRAWING NUMBER	
12	1	REF	

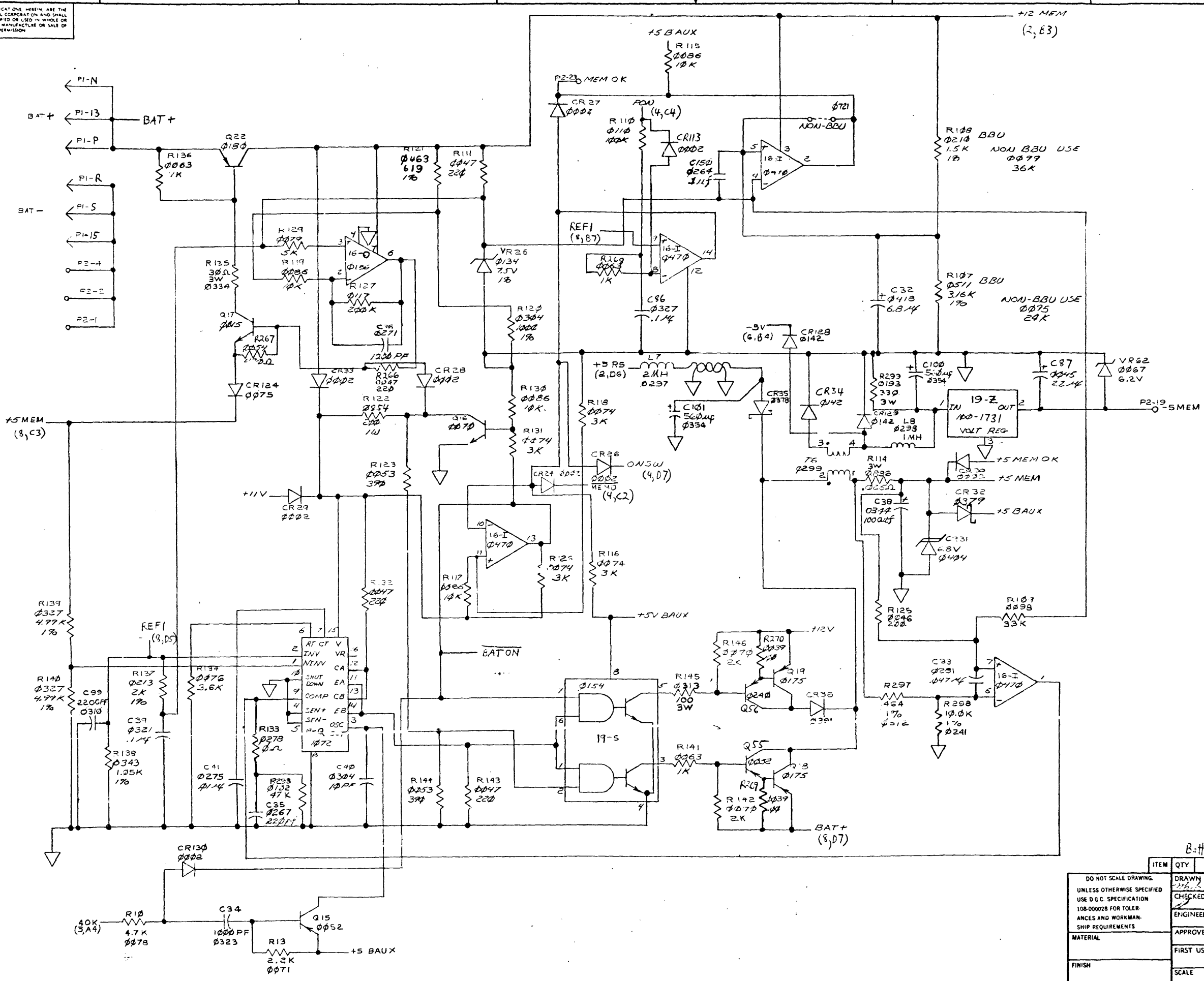
DATA GENERAL CORPORATION
SOUTHBORO, MASS. 01772

TITLE
NOVA 4
POWER SUPPLY
PCB

SCALE: **34984** D
DRAWING NUMBER: **001701524**
REF: **15**

FIG. 2-11-18 AND SPECIFICATIONS HEREIN ARE THE PROPERTY OF DATA GENERAL CORPORATION AND SHALL NOT BE REPRODUCED OR COPIED OR USED IN WHOLE OR IN PART AS THE BASIS FOR MANUFACTURE OR SALE OF ITEMS WITHOUT WRITTEN PERMISSION

REVISIONS				
REV	DESCRIPTION	DRFTG	APP BY	DATE
ECO				



Battery Back-up (15MEM, 5MEM, 12MEM)

ITEM	QTY	DESCRIPTION	PART NO.
DO NOT SCALE DRAWING			
UNLESS OTHERWISE SPECIFIED USE D.G.C. SPECIFICATION 108-000028 FOR TOLERANCES AND WORKMANSHIP REQUIREMENTS			
MATERIAL			
FINISH			
DRAWN	2/11/78	31178	
CHECKED			
ENGINEER			
APPROVED			
FIRST USED ON			
SCALE	34784	D	
DRAWING NUMBER	34784		
SIZE	D		
CODE			
TITLE	NOVA 4 POWER SUPPLY PCB		