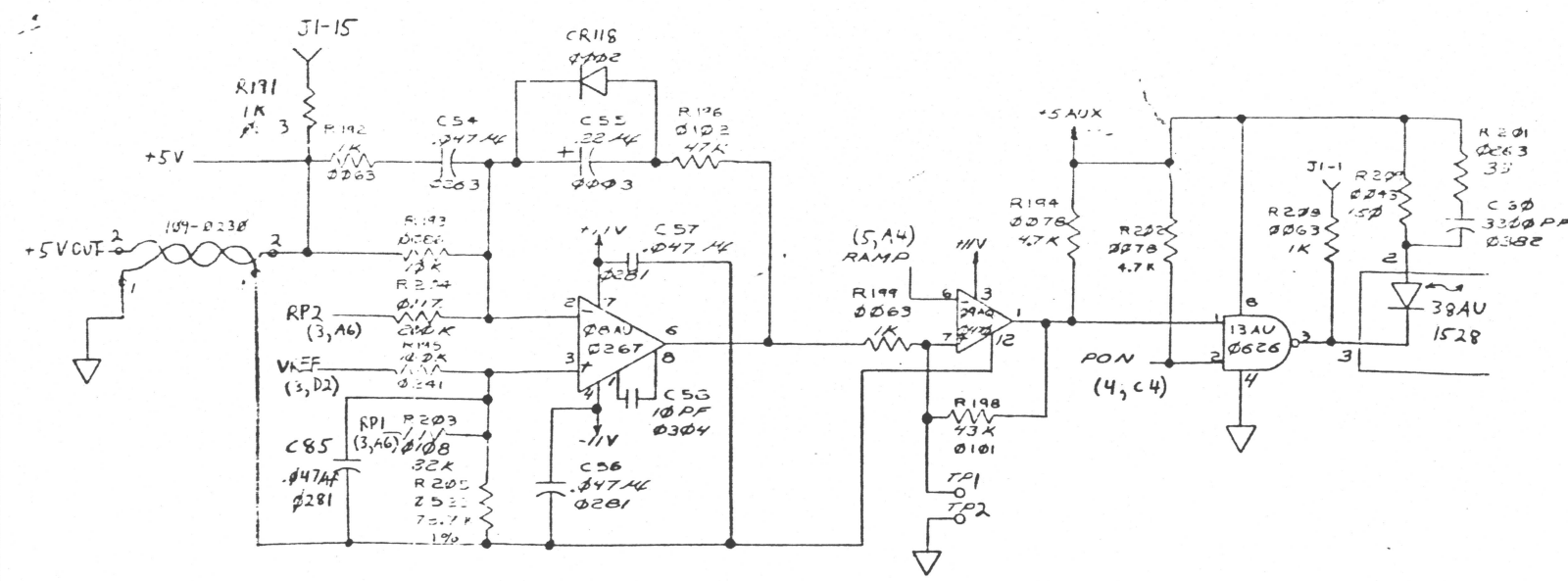
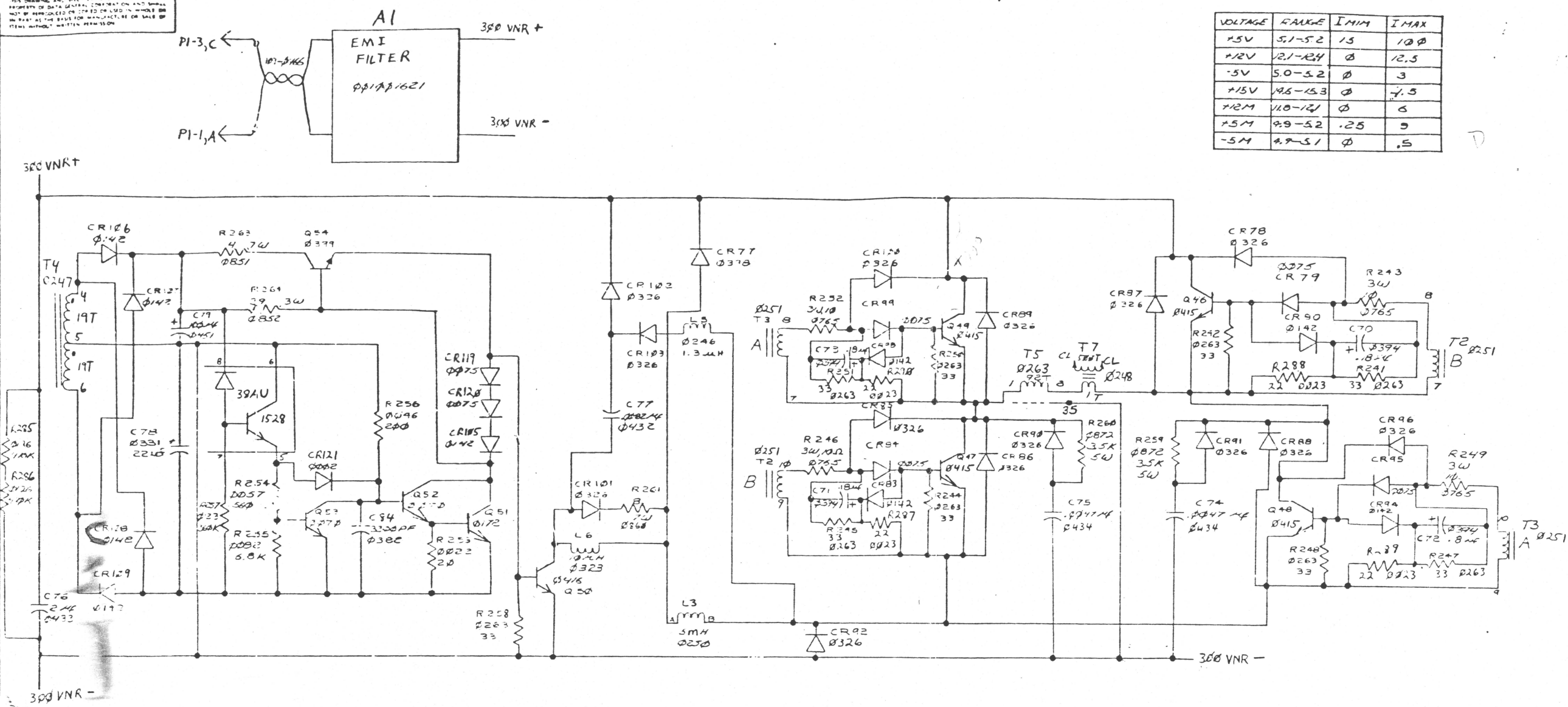


ALL DIMENSIONS AND SPECIFICATIONS HEREIN ARE THE PROPERTY OF DATA GENERAL CORPORATION AND SHALL NOT BE REPRODUCED OR TRANSMITTED IN ANY FORM OR BY ANY MEANS WITHOUT WRITTEN PERMISSION

VOLTAGE	RANGE	I MIN	I MAX
+5V	5.1-5.2	15	100
+12V	12.1-12.4	0	12.5
-5V	5.0-5.2	0	3
+15V	14.5-15.3	0	4.5
+12M	11.0-12.1	0	6
+5M	4.9-5.2	.25	5
-5M	4.9-5.1	0	.5

REVISIONS				
REV	DESCRIPTION	DRFTG	APP BY	DATE
00	Released per ESTG			4/74
01	ECO # E570A			7/74
02	ECO # E595			8/74
03	ECO # F816			8/74
04	ECO # F84B			8/74
05	ECO # F87B			8/74
06	ECO # F886			8/74
07	ECO # F88B			7/74
08	ECO # G705			7/74
09	ECO # 9471A			8/74
10	ECO # 9473			10/74
11	ECO # F832			7/74
12	ECO # 9680D			9/74
13	ECO # 10371			11/74
14	ECO # 11324A			1/75
15	PER ECO # 11215			1/75
16	PER ECO # 11604			1/75



WARNING: HAZARDOUS VOLTAGES EXIST ON THIS UNIT. SERVICE MUST ONLY BE PERFORMED BY QUALIFIED PERSONNEL.

SEE PAGE 3 FOR ALL NOTES.

TEST POINTS

1	F5V1
2	CURRENT
3	RDR FINE
4	HVS
5	POK
6	-5V
7	+5AUX
8	H5V
9	GND
10	H2V
11	FOU
12	Q30-C
13	Q29-C
14	VREF
15	+5V
16	24K

016000688

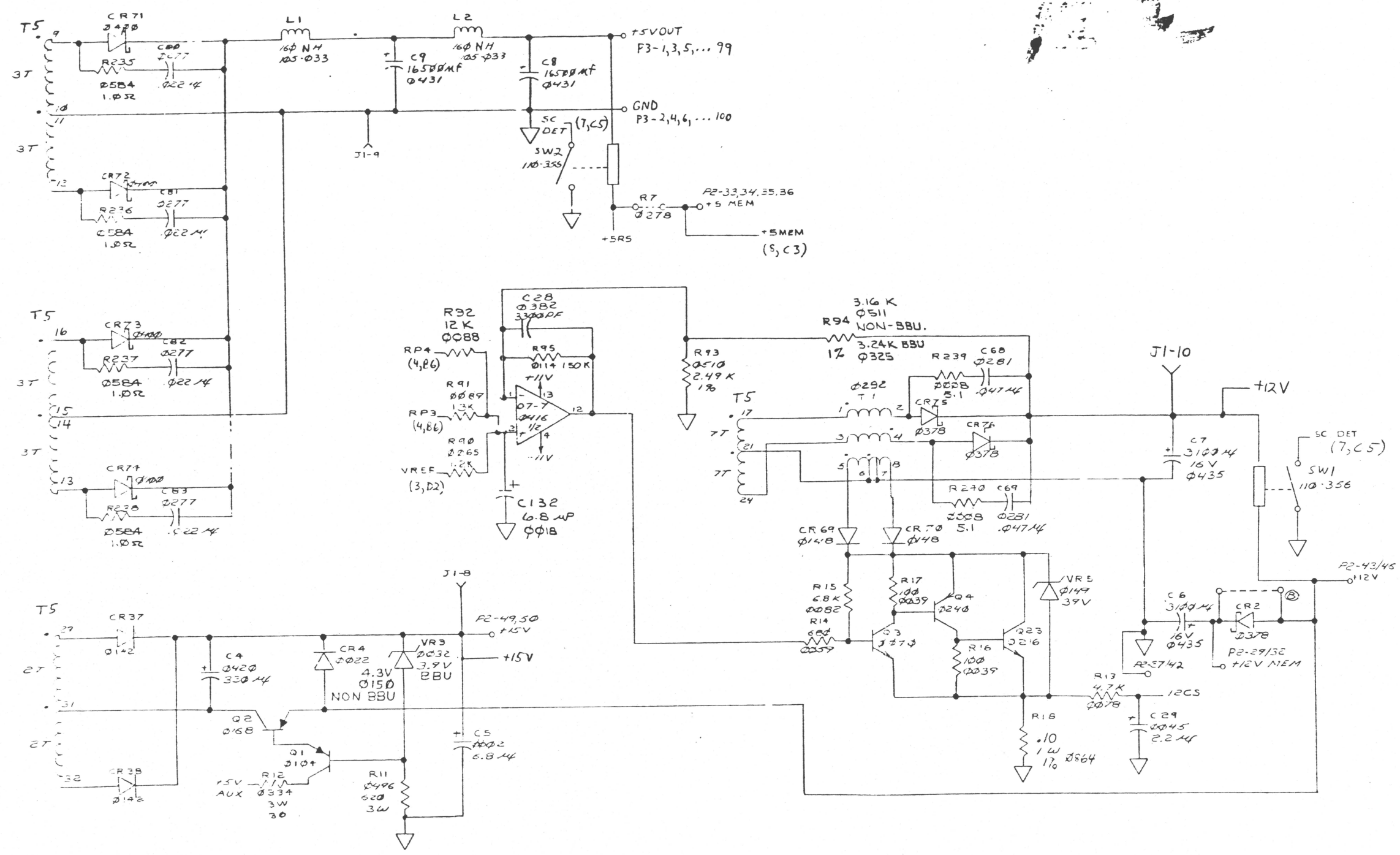
ARTWCRK: 107	DO NOT SCALE DRAWING
ARTWORK VS SCHEMATIC	UNLESS OTHERWISE SPECIFIED
REV	USE D.C.C. SPECIFICATION
03	108-000028 FOR TOLERANCES AND WORKMANSHIP REQUIREMENTS
04	SHIP REQUIREMENTS
05	MATERIAL
06	FINISH

ITEM	QTY	DESCRIPTION	PART NO
1	1	39AU	
2	1	7805	
3	1	13AU	
4	1	39AU	
5	1	1528	

+5 Regulator, HV Switching Section		PART NO	
ARTWCRK: 107		DATA GENERAL CORPORATION	
REV		SOUTHBORO, MASS. 01772	
03		TITLE	
04		NOVA 4	
05		POWER SUPPLY	
06		PCB	
SCALE	CODE IDENT	SIZE	CODE
	34784	D	
DRAWING NUMBER		REV	
02001524		15	

ALL DIMENSIONS AND SPECIFICATIONS HEREIN ARE THE PROPERTY OF DATA GENERAL CORPORATION AND SHALL BE HELD IN CONFIDENCE ON COMPLETION OF THIS DRAWING. THE BASIS FOR MANUFACTURE OR SALE OF THIS DRAWING IS THE WRITTEN PERMISSION.

REVISIONS				
REV	DESCRIPTION	DRFTG	APP BY	DATE



+5V Output, +12 Output + Regulator, +15 Regulator

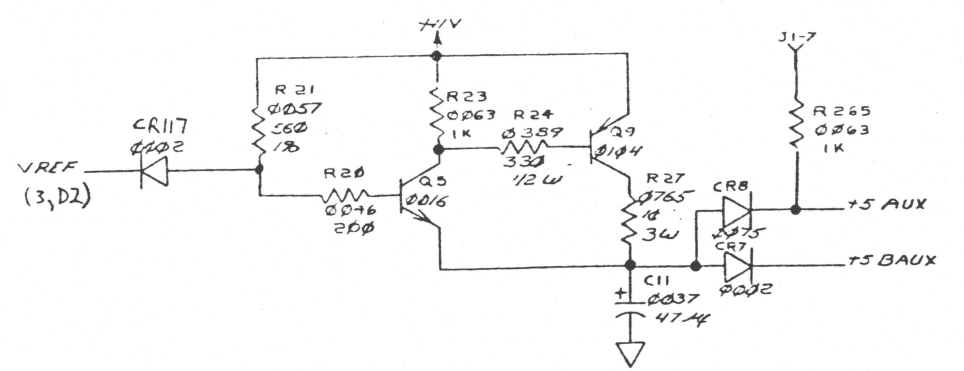
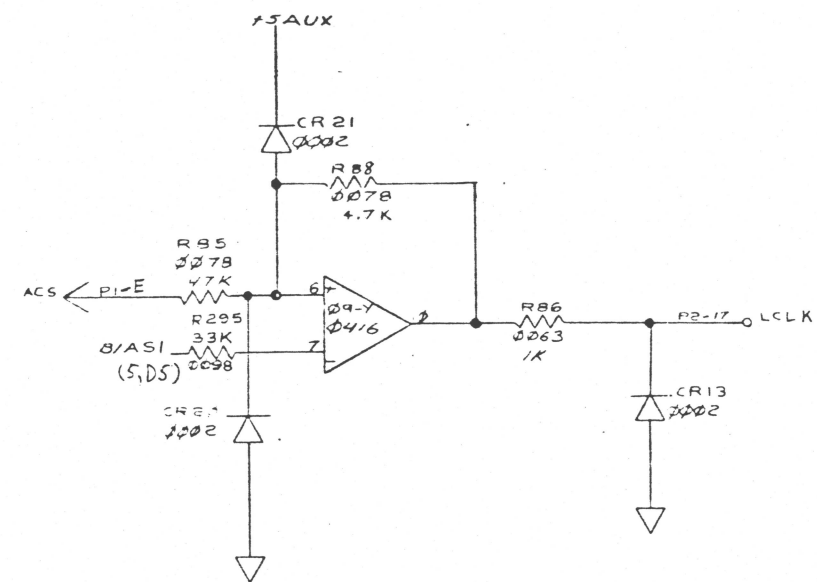
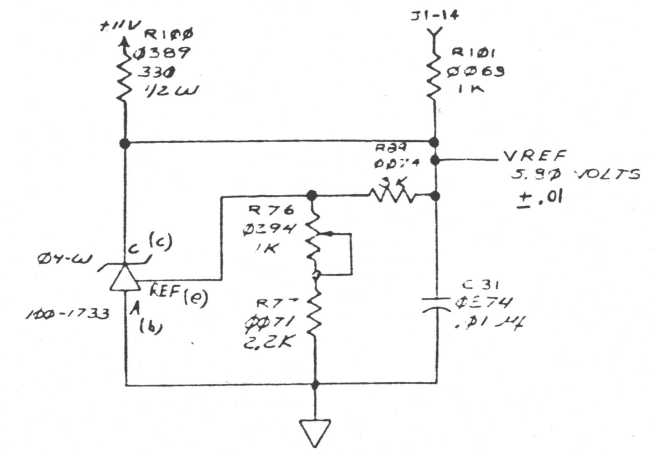
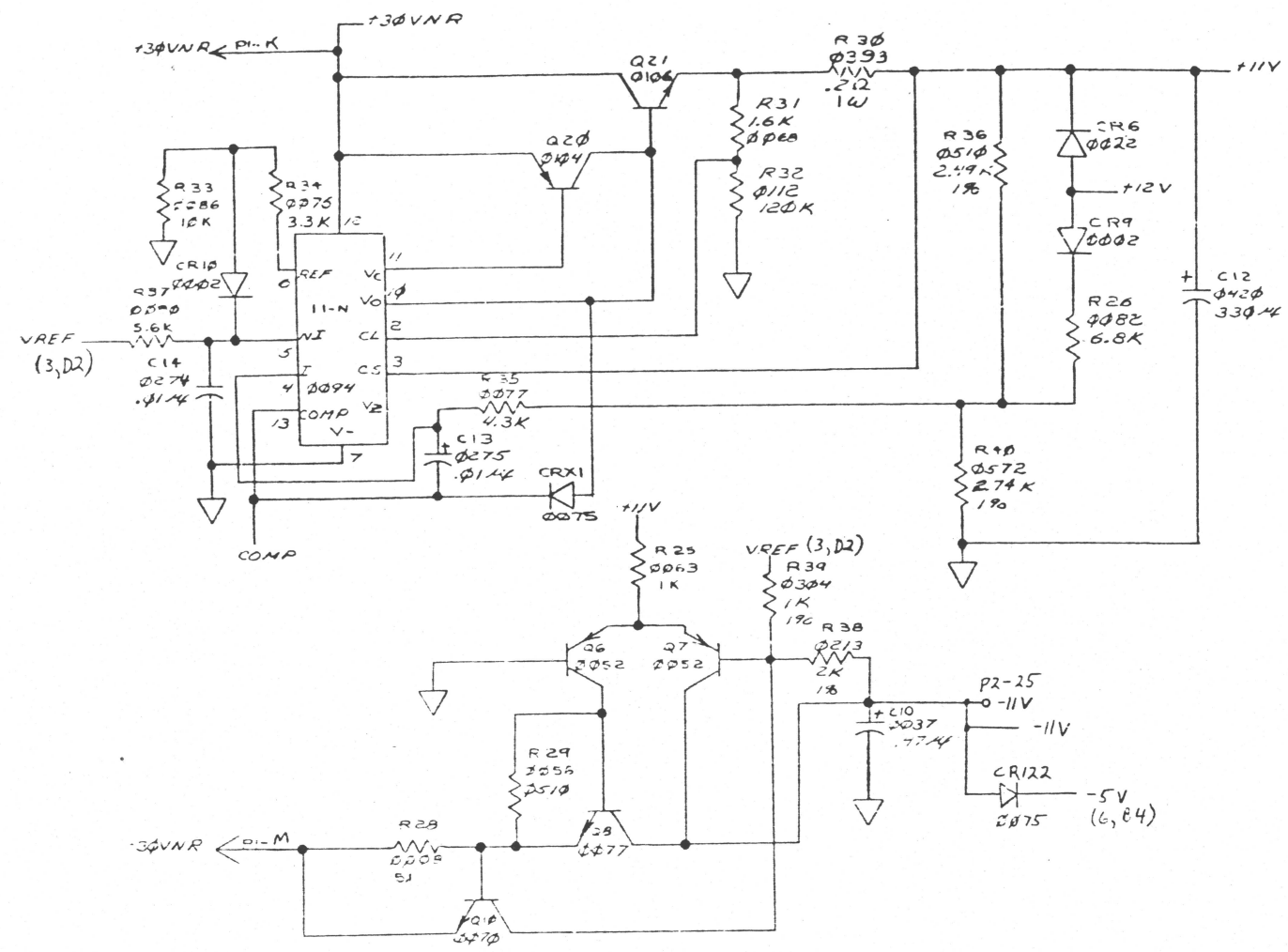
ITEM	QTY	DESCRIPTION	PART NO
DO NOT SCALE DRAWING			
UNLESS OTHERWISE SPECIFIED			
USE D.G.C. SPECIFICATION			
108-000028 FOR TOLERANCES AND WORKMANSHIP REQUIREMENTS			
MATERIAL			
FINISH			

DRAWN D. B. B. 2/2/72	DATA GENERAL CORPORATION SOUTH BORO, MASS. 01772
CHECKED D. B. B. 2/7/72	
ENGINEER	TITLE
APPROVED	NVA 4 POWER SUPPLY PCB
FIRST USED ON	
SCALE	CODE IDENT
	34984
SIZE	CODE
D	
DRAWING NUMBER	REV
001071524	15

DRAWING 40-146 20411-2

THE DRAWING AND SPECIFICATIONS HEREIN ARE THE PROPERTY OF DATA GENERAL CORPORATION AND SHALL NOT BE REPRODUCED OR USED IN WHOLE OR IN PART AS THE BASIS FOR MANUFACTURE OR SALE OF ITEMS WITHOUT THE WRITTEN PERMISSION.

REVISIONS				
REV	DESCRIPTION	DRFTG	APP BY	DATE
ECO				



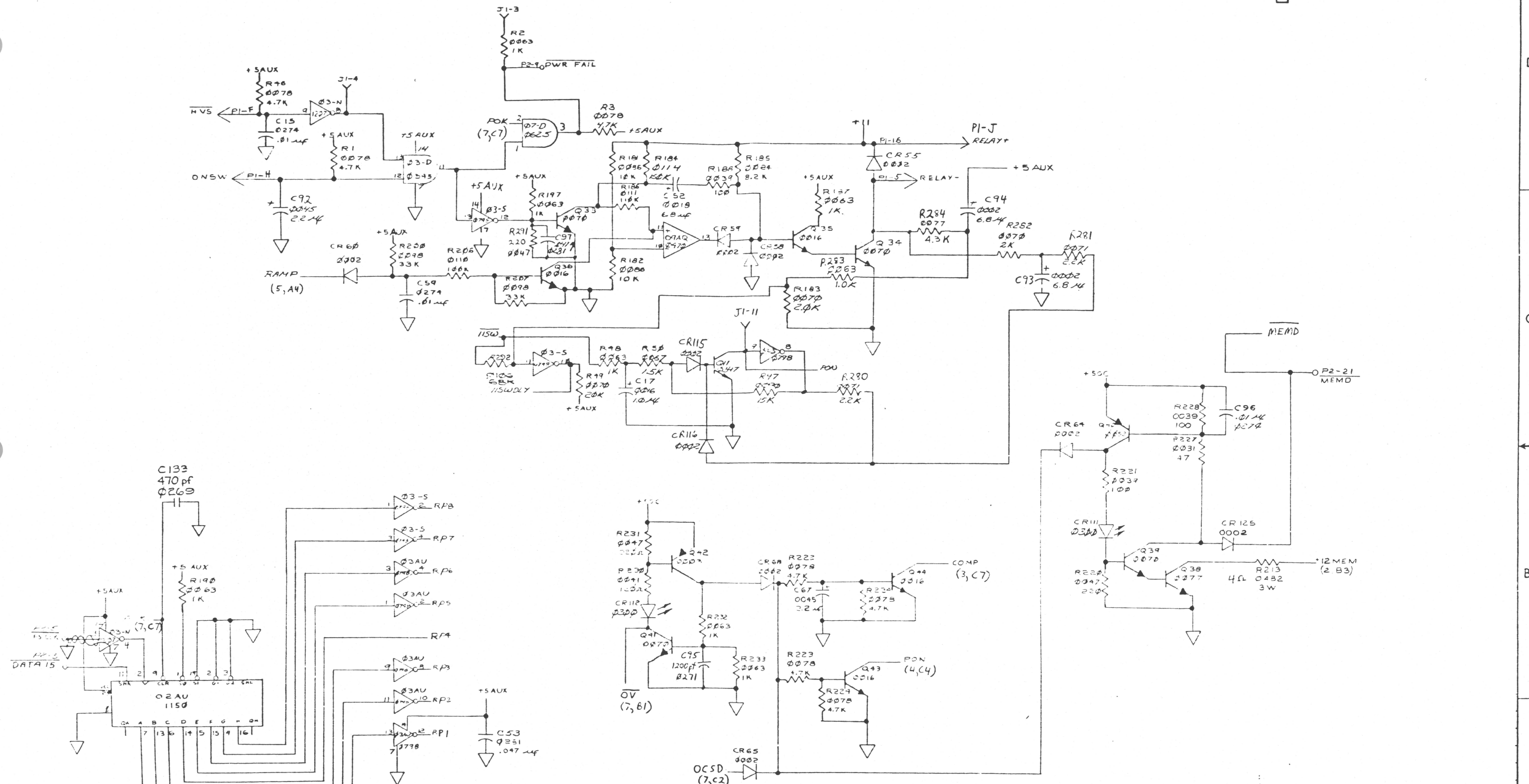
- NOTES:
1. \circ = 50 EDGE PIN CONNECTORS
 \leftarrow = HIGH VOLTAGE EDGE CON NECTORS
 2. HIGH = PULL UP RESISTOR TO +5 AUX USE AS NEEDED.
 3. TP = TO TEST POINT AT FRONT OF CARD
 4. TP X = TERMI-PIN TEST POINT
 5. U3 CONNECTS TO BATO0 FOR BBU VERSION, TO 07-D PING FOR NON-BBU VERSION.
 6. R5, R7 NOT INSTALLED ON BBU VERSION.
 7. R6 IS 102-0278 FOR BBU VERSION, 101-0379 FOR NON-BBU VERSION. (CR123)
 8. CR2 INSTALLED ON BBU VERSION, REPLACED BY JUMPER WIRE ON NON-BBU VERSION.
 9. CR35-CR38, CR99, CR50 TO BE STOOD ON END ALLOWING NO LEAD LENGTH BETWEEN P.C.B AND DIODE.
 10. ALL COMPONENTS ON PAGE B ARE FOR BATTERY BACKUP ONLY, EXCEPT R07, R108, C32, CR23 AND ASSOCIATED JUMPER.

+11, -11, and +5Aux Regulators, VREF, LCLK

ITEM	QTY	DESCRIPTION	PART NO
DO NOT SCALE DRAWING			
UNLESS OTHERWISE SPECIFIED USE D.G.C. SPECIFICATION			
100-00028 FOR TOLERANCES AND WORKMANSHIP REQUIREMENTS			
MATERIAL			
FINISH			
SCALE	CODE IDENT	SIZE	CODE
	34984	D	
DRAWN		DATA GENERAL CORPORATION	
CHECKED		SOUTHBORO, MASS. 01772	
ENGINEER		TITLE	
APPROVED		NOVA 4	
FIRST USED ON		POWER SUPPLY	
		PCB	
DRAWING NUMBER		REF	
34984		100101524	

ALL DIMENSIONS ARE IN INCHES UNLESS OTHERWISE SPECIFIED. THE BUYER SHALL BE RESPONSIBLE FOR OBTAINING ALL NECESSARY PERMITS AND APPROVALS FROM THE LOCAL, STATE AND FEDERAL AUTHORITIES. THE BUYER SHALL BE RESPONSIBLE FOR OBTAINING ALL NECESSARY PERMITS AND APPROVALS FROM THE LOCAL, STATE AND FEDERAL AUTHORITIES.

REVISIONS				
REV	DESCRIPTION	DATE	APP BY	DATE
ECO				



Soft Start + Sequencing, Remote Primary, Emergency Latch

ITEM	QTY	DESCRIPTION	PART NO
DO NOT SCALE DRAWING			
UNLESS OTHERWISE SPECIFIED			
USE D.G.C. SPECIFICATION			
100 000028 FOR TOLERANCES AND WORKMANSHIP REQUIREMENTS			
MATERIAL			
FINISH			
SCALE	CODE IDENT	SIZE	CODE
	34984	D	

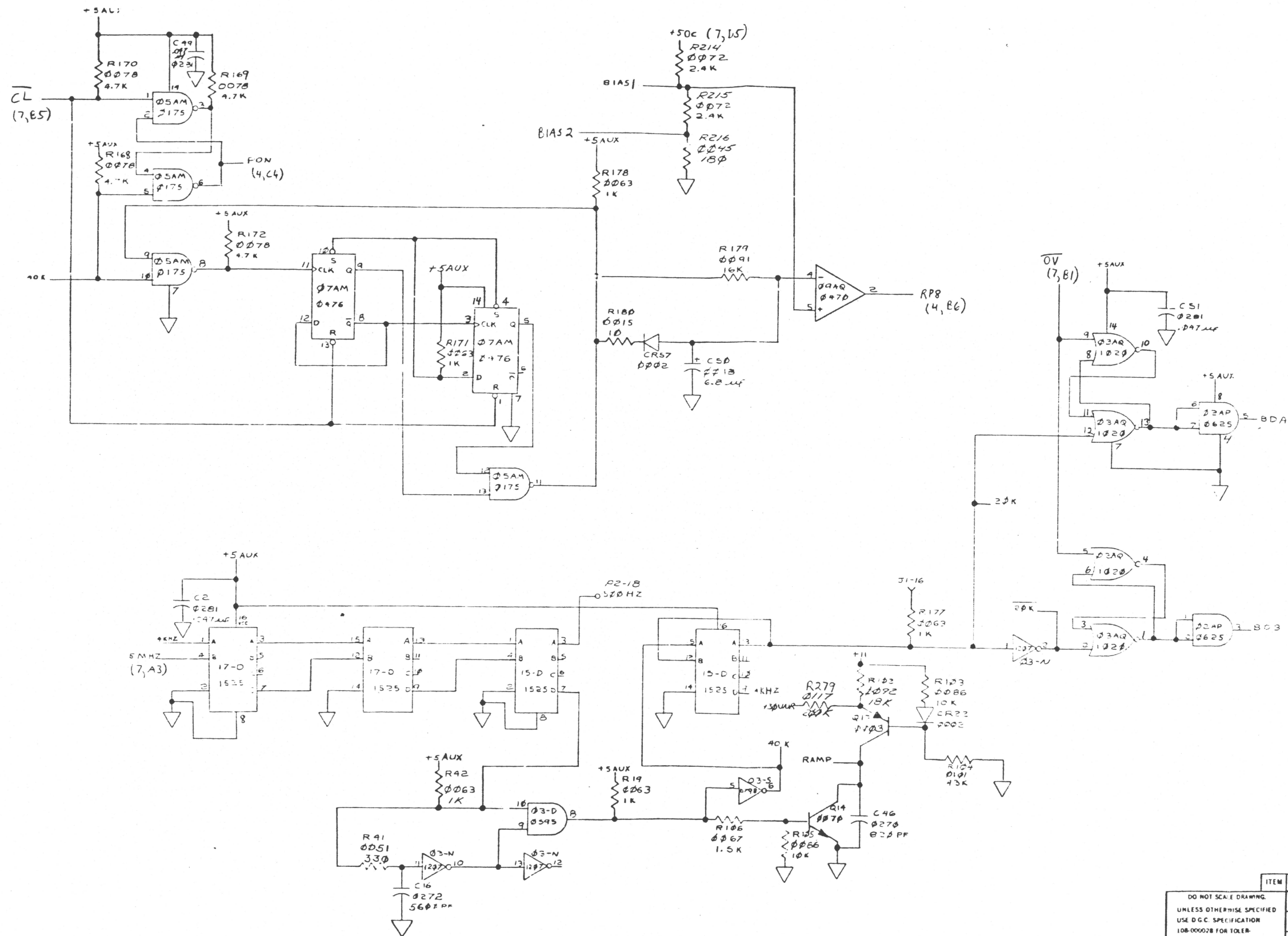
DRAWN		CHECKED		ENGINEER		APPROVED		FIRST USED ON	
DRAWING NUMBER		REV		DRAWING NUMBER		REV			
001001524		13		001001524		13			

DATA GENERAL CORPORATION
SOUTH BORO, MASS. 01772

TITLE
NOVA 4 POWER SUPPLY PCB

... DRAWING AND SPECIFICATIONS HEREIN ARE THE PROPERTY OF DATA GENERAL CORPORATION AND SHALL NOT BE REPRODUCED OR COPIED OR USED IN WHOLE OR IN PART AS THE BASIS FOR MANUFACTURE OR SALE OF ANY PRODUCT WITHOUT WRITTEN PERMISSION

REVISIONS				
REV	DESCRIPTION	DRFTG.	APP BY	DATE
ECO				

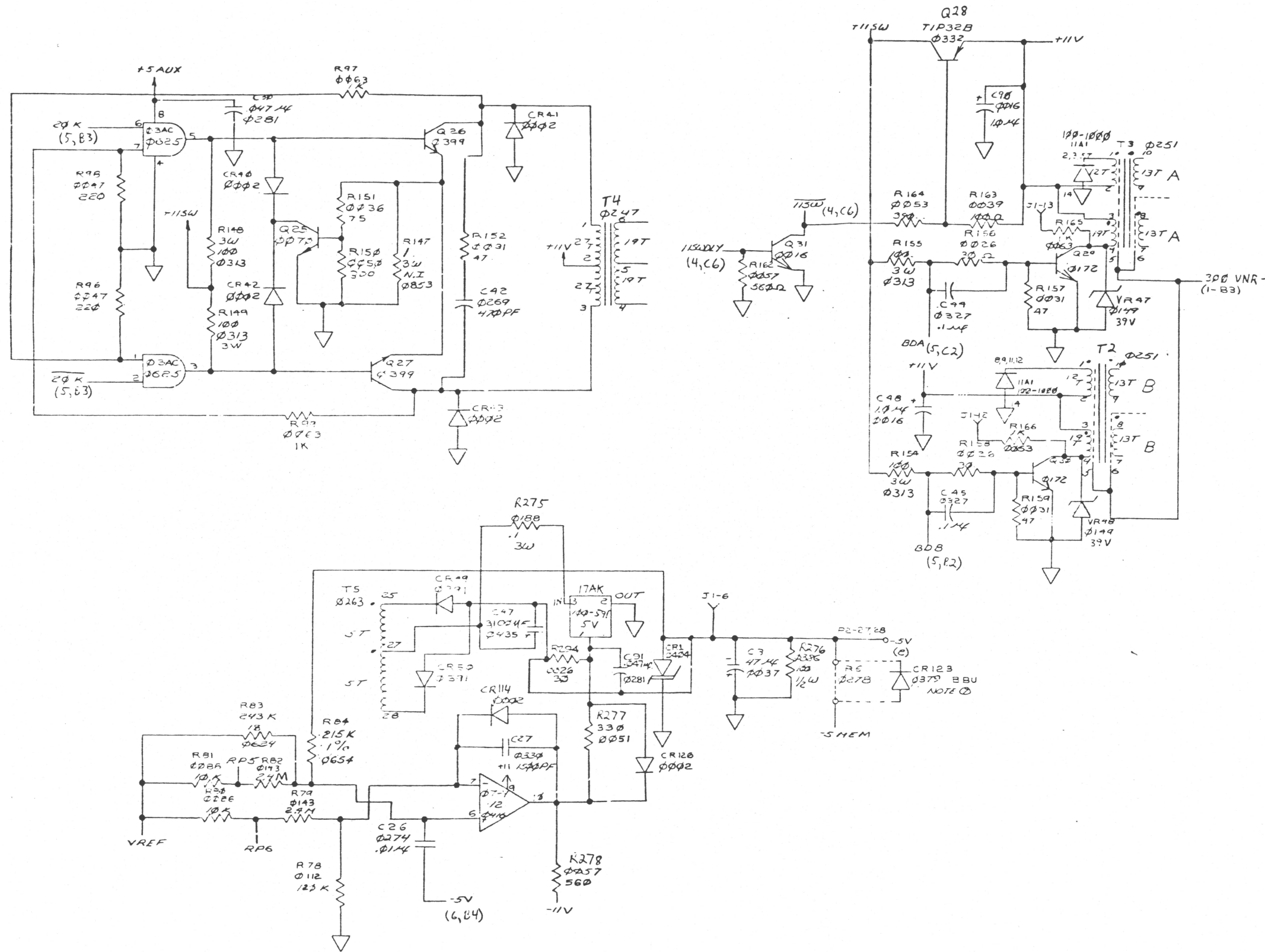


Secondary Clock Dividers, Overcurrent Counter

ITEM	QTY	DESCRIPTION	PART NO.
DO NOT SCALE DRAWING UNLESS OTHERWISE SPECIFIED USE D.G.C. SPECIFICATION 108-000028 FOR TOLERANCES AND WORKMANSHIP REQUIREMENTS			
DRAWN		DATA GENERAL CORPORATION	
CHECKED		SOUTHBOURNE, MASS. 01772	
ENGINEER		TITLE	
APPROVED		NOVA 4	
FIRST USED		POWER SUPPLY	
FINISH		PCB	
SCALE	CODE IDENT	SIZE	CODE
	34984	D	
DRAWING NUMBER		R /	
CC01001524		15	

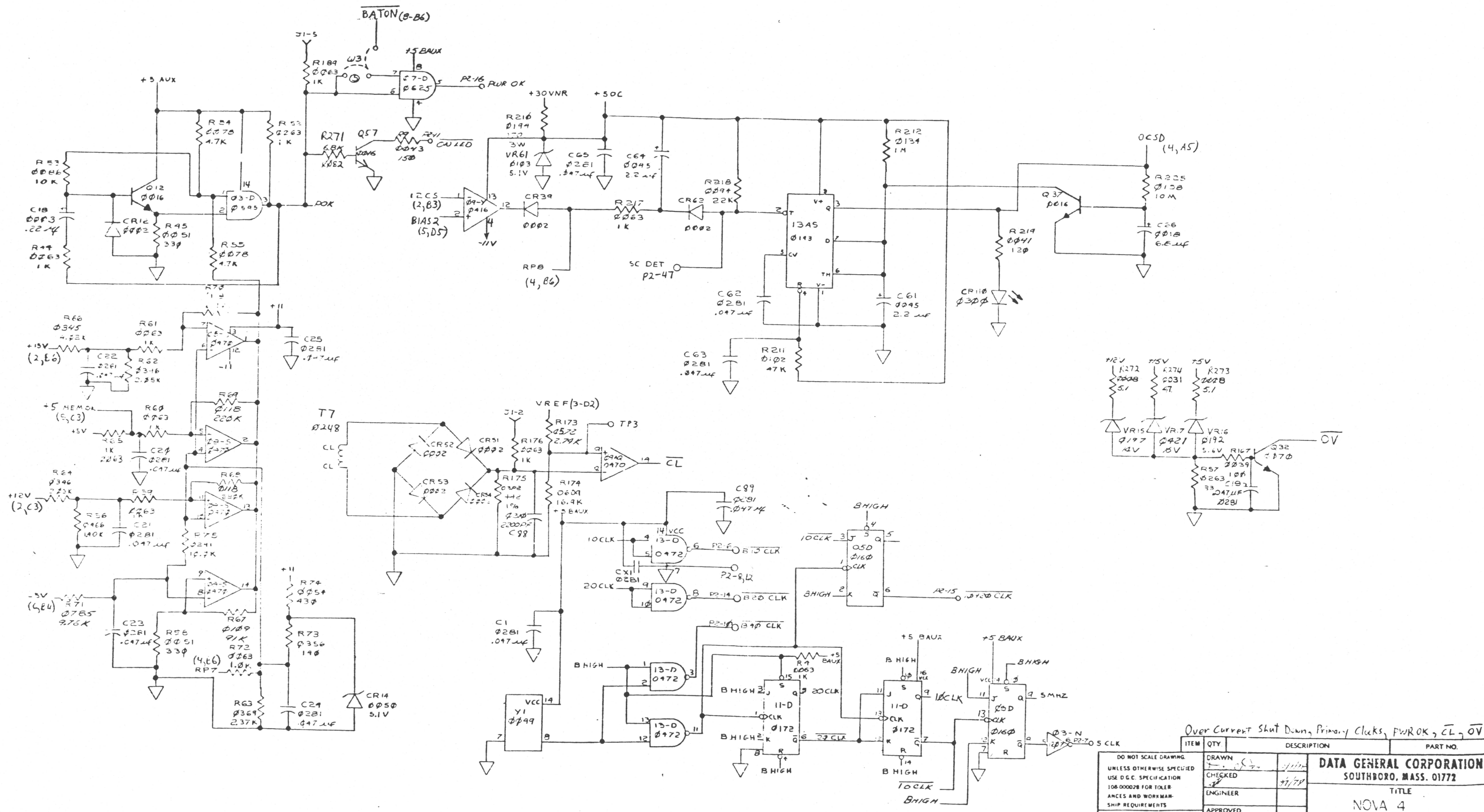
THIS DRAWING AND SPECIFICATIONS HEREBY ARE THE PROPERTY OF DATA GENERAL CORPORATION AND SHALL NOT BE REPRODUCED OR COPIED OR LENT TO WHOLE OR IN PART AS THE BASIS FOR MANUFACTURE OR SALE OF ITEMS WITHOUT THE WRITTEN PERMISSION.

REVISIONS				
REV	DESCRIPTION	DRAFTG	APP BY	DATE



Base Drivers (Primary side), -5V:lt Output

ITEM	QTY	DESCRIPTION	PART NO.
DO NOT SCALE DRAWING UNLESS OTHERWISE SPECIFIED USE D.G.C. SPECIFICATION 108-000028 FOR TOLERANCES AND WORKMANSHIP REQUIREMENTS	DRAWN <i>Bob Bulek</i> 2/21/78 CHECKED <i>[Signature]</i> 2/21/78 ENGINEER APPROVED FIRST USED ON	DATA GENERAL CORPORATION SOUTHBORO, MASS. 01772	
MATERIAL		TITLE NOVA 4 POWER SUPPLY PCB	
FINISH	SCALE	CODE IDENT 34984	SIZE CODE D
		DRAWING NUMBER 001001524	REV 15



Over Current Shut Down, Primary Clocks, FWR OK, CL, OV

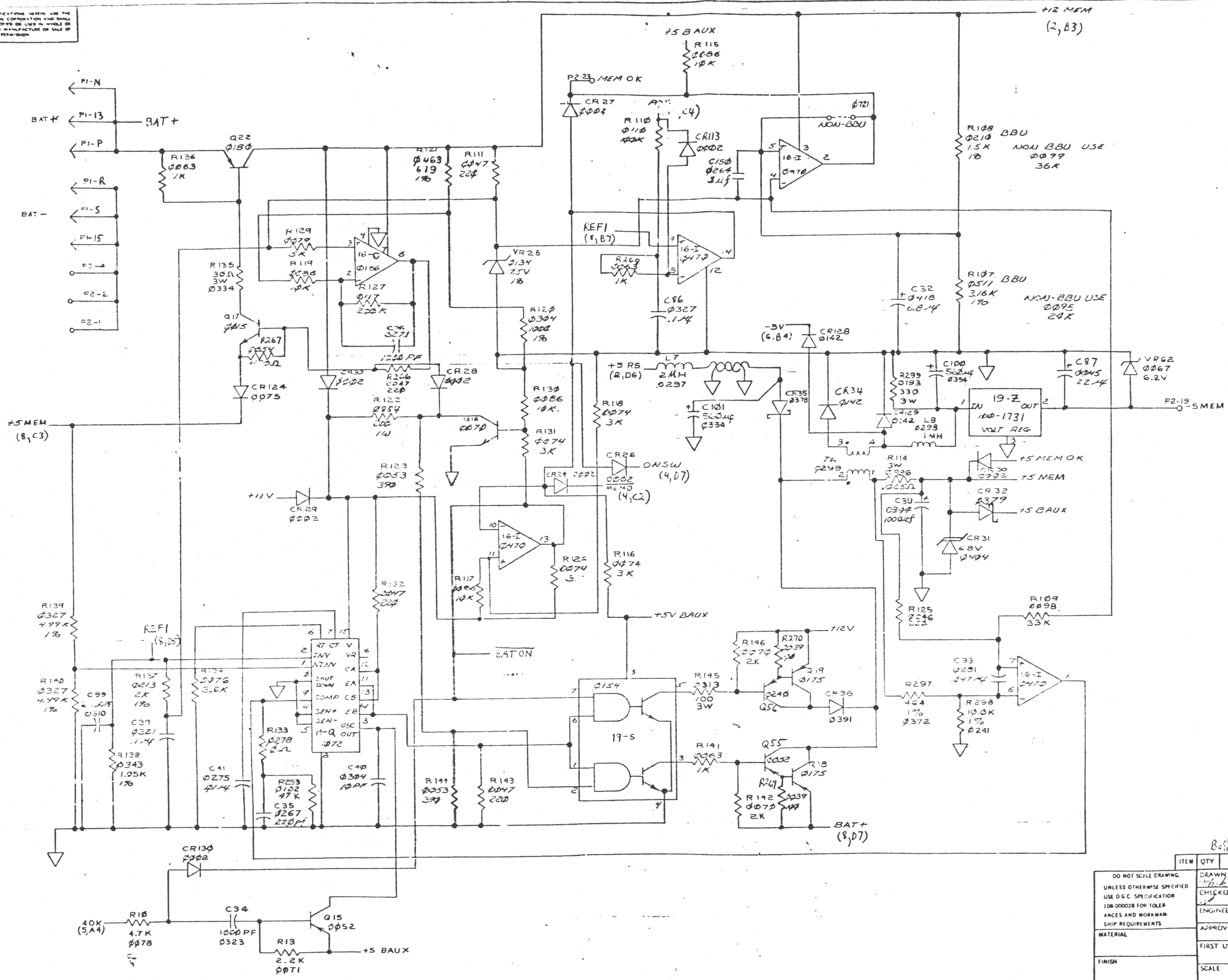
ITEM	QTY	DESCRIPTION	PART NO.

DO NOT SCALE DRAWING UNLESS OTHERWISE SPECIFIED USE D.G.C. SPECIFICATION 108-000028 FOR TOLERANCES AND WORKMANSHIP REQUIREMENTS		DRAWN 9/1/79	
MATERIAL		CHECKED 9/1/79	
FINISH		ENGINEER	
		APPROVED	
		FIRST USED ON	
SCALE	CCDE IDENT	SIZE	CODE
	34984	D	

DATA GENERAL CORPORATION SOUTHBORO, MASS. 01772	
TITLE NOVA 4 POWER SUPPLY PCB	
DRAWING NUMBER 001201524	REV. 15

THE DRAWING AND SPECIFICATIONS HEREIN ARE THE PROPERTY OF DATA GENERAL CORPORATION AND SHALL NOT BE REPRODUCED OR COPIED OR USED IN WHOLE OR IN PART AS THE BASIS FOR MANUFACTURE OR SALE OF PRODUCTS WITHOUT WRITTEN PERMISSION

REVISIONS			
REV	DESCRIPTION	DRFTG	APP BY DATE
ECO			



Battery Back-up (+5 MEM, -5 MEM, +12 MEM)

ITEM	QTY	DESCRIPTION	PART NO
DO NOT SCALE DRAWING			
UNLESS OTHERWISE SPECIFIED			
USE D.G.C. SPECIFICATION			
100-00028 FOR TOLERANCES AND WORKMANSHIP REQUIREMENTS			
MATERIAL			
FINISH			

DRAWN	16.6.2.1.6	3/78
CHECKED		9/78
ENGINEER		
APPROVED		
FIRST USED ON		
SCALE	SCALE	SIZE
34934	D	

DATA GENERAL CORPORATION	
SOUTHBORO, MASS. 01772	
TITLE	
NCVA 4	
POWER SUPPLY	
PCB	
DRAWING NUMBER	REV
101801524	12
SHEET 8 OF 9	