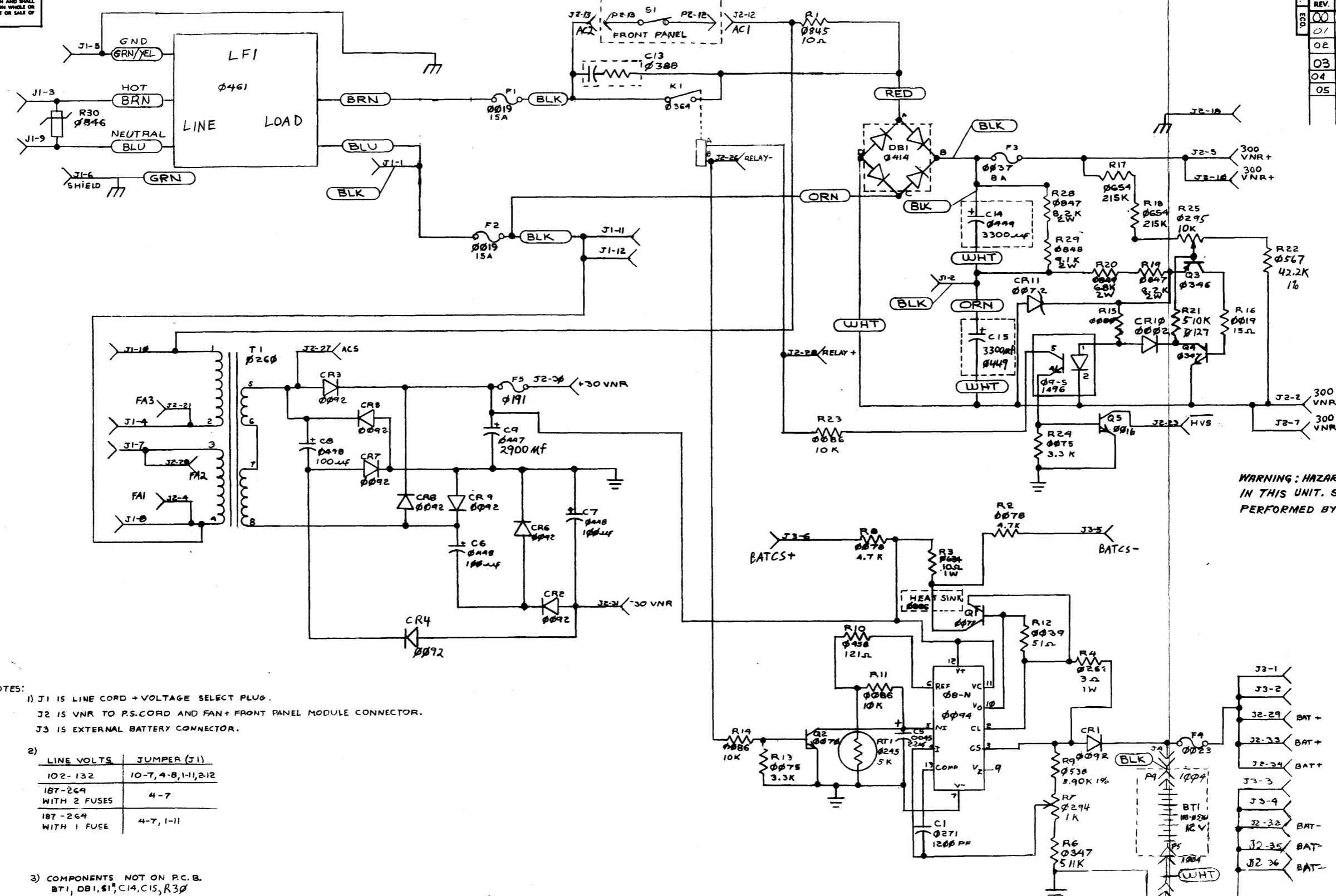


THIS DRAWING AND SPECIFICATIONS, HEREIN, ARE THE PROPERTY OF DATA GENERAL CORPORATION AND SHALL NOT BE REPRODUCED OR COPIED OR USED IN WHOLE OR IN PART AS THE BASIS FOR MANUFACTURE OR SALE OF ITEMS WITHOUT WRITTEN PERMISSION.

REVISIONS				
REV.	DESCRIPTION	DRFTG.	APP. BY	DATE
00	RLSD PER E555			11-18-78
01	ECO E556			11-20-78
02	ECO T346			2-3-79
03	ECO G732			7/1/79
04	ECO D684			10-11-79
05	ECO E573			12-12-79



WARNING: HAZARDOUS VOLTAGES EXIST IN THIS UNIT. SERVICE MUST ONLY BE PERFORMED BY QUALIFIED PERSONNEL.

NOTES:

- 1) J1 IS LINE CORD + VOLTAGE SELECT PLUG.
- J2 IS VNR TO P.S. CORD AND FAN + FRONT PANEL MODULE CONNECTOR.
- J3 IS EXTERNAL BATTERY CONNECTOR.

LINE VOLTS	JUMPER (J1)
102-132	10-7, 4-8, 1-11, 2-12
187-269 WITH 2 FUSES	4-7
187-269 WITH 1 FUSE	4-7, 1-11

- 3) COMPONENTS NOT ON P.C.B.  
BT1, DB1, S1, C14, C15, R30  
# NOT IN VNR BOX AT ALL

- 4) R7 SETS BATTERY CHARGER OUTPUT VOLTAGE TO 14.1 VOLTS.  
R25 SETS LEVEL OF +300VNR THAT CAUSES HVS TO GO HIGH (WHEN +300VNR DROPS FROM 300 VOLTS TO 235 VOLTS).

ARTWORK: 107-985-		ARTWORK VS SCHEMATIC		ITEM QTY.		DESCRIPTION		PART NO.	
REV	SCHEMATIC REV(S)	DO NOT SCALE DRAWING. UNLESS OTHERWISE SPECIFIED USE D.B.C. SPECIFICATION 108-00028 FOR TOLERANCES AND WORKMANSHIP REQUIREMENTS	DRAWN	8/14/78	DATA GENERAL CORPORATION WESTBORO, MASS. 01581		TITLE		
02	00, 01, 02, 03, 04		CHECKED		DGC MACHINE		VNR SECTION		
03	05		ENGINEER		FIRST USED ON		DRAWING NUMBER		
			APPROVED		005012371		REV		
			MATERIAL		SCALE		CODE IDENT. SIZE CODE		
			FINISH		D 001001523		05		
THIRD ANGLE PROJECTION									

DRAWING 001001523 00781