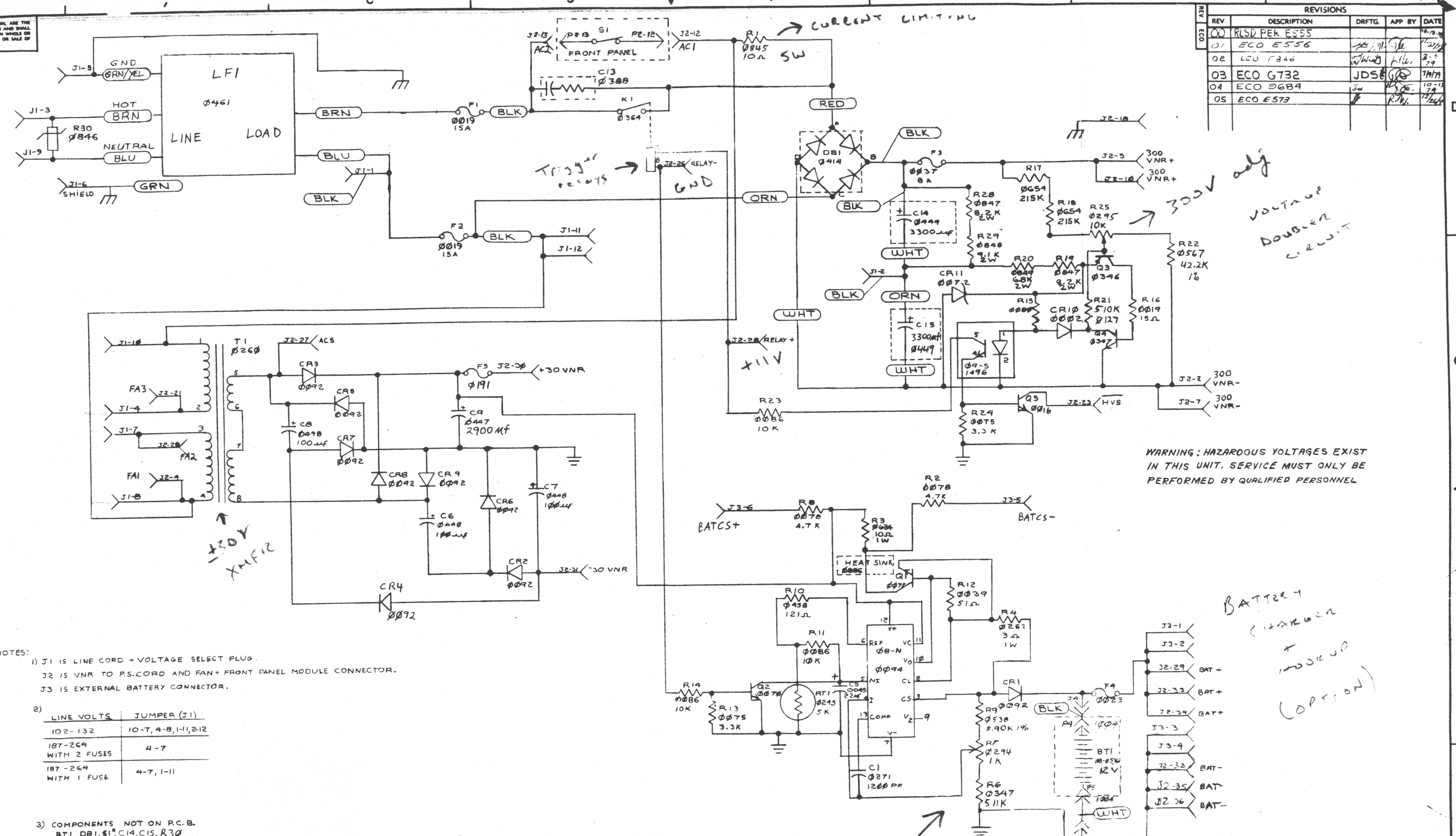


THIS DRAWING AND SPECIFICATIONS, HEREIN, ARE THE PROPERTY OF DATA GENERAL CORPORATION AND SHALL NOT BE REPRODUCED OR COPIED OR USED IN WHOLE OR IN PART AS THE BASIS FOR MANUFACTURE OR SALE OF ITEMS WITHOUT WRITTEN PERMISSION.

REVISIONS				
REV.	DESCRIPTION	DRFTG.	APP BY	DATE
00	RISD PER E555			10-18-79
01	ECO E556			2-3-79
02	ECO F846			7-9
03	ECO G732	JDS		7/17/79
04	ECO G684			10-17-79
05	ECO E573			12/24/79



- NOTES:
- J1 IS LINE CORD + VOLTAGE SELECT PLUG.
J2 IS VNR TO P.S. CORD AND FAN + FRONT PANEL MODULE CONNECTOR.
J3 IS EXTERNAL BATTERY CONNECTOR.

LINE VOLTS	JUMPER (J1)
102-132	10-7, 4-B, 1-1, 2-12
187-264 WITH 2 FUSES	4-7
187-264 WITH 1 FUSE	4-7, 1-11

- COMPONENTS NOT ON P.C.B.
BT1, DB1, S1, C14, C15, R30
* NOT IN VNR BOX AT ALL
- R7 SETS BATTERY CHARGER OUTPUT VOLTAGE TO 14.1 VOLTS.
R25 SETS LEVEL OF +300VNR THAT CAUSES HVS TO GO HIGH (WHEN +300VNR DROPS FROM 300 VOLTS TO 235 VOLTS).

ARTWORK: 107-985-		ITEM QTY		DESCRIPTION		PART NO.	
REV	SCHEMATIC REV(S)	DO NOT SCALE DRAWING UNLESS OTHERWISE SPECIFIED	DRAWN	DATE	DATA GENERAL CORPORATION WESTBORO, MASS. 01581		
02	00, 01, 02, 03, 04	UNLESS OTHERWISE SPECIFIED USE D.G.C. SPECIFICATION 108-00021 FOR TOLERANCES AND WORKMANSHIP REQUIREMENTS	CHECKED		TITLE		
03	05		ENGINEER		DGC MACHINE		
			APPROVED		VNR SECTION		
			FIRST USED ON	005012371	SCALE	CODE IDENT.	SIZE
							DRAWING NUMBER
							REV
							001001523
							05