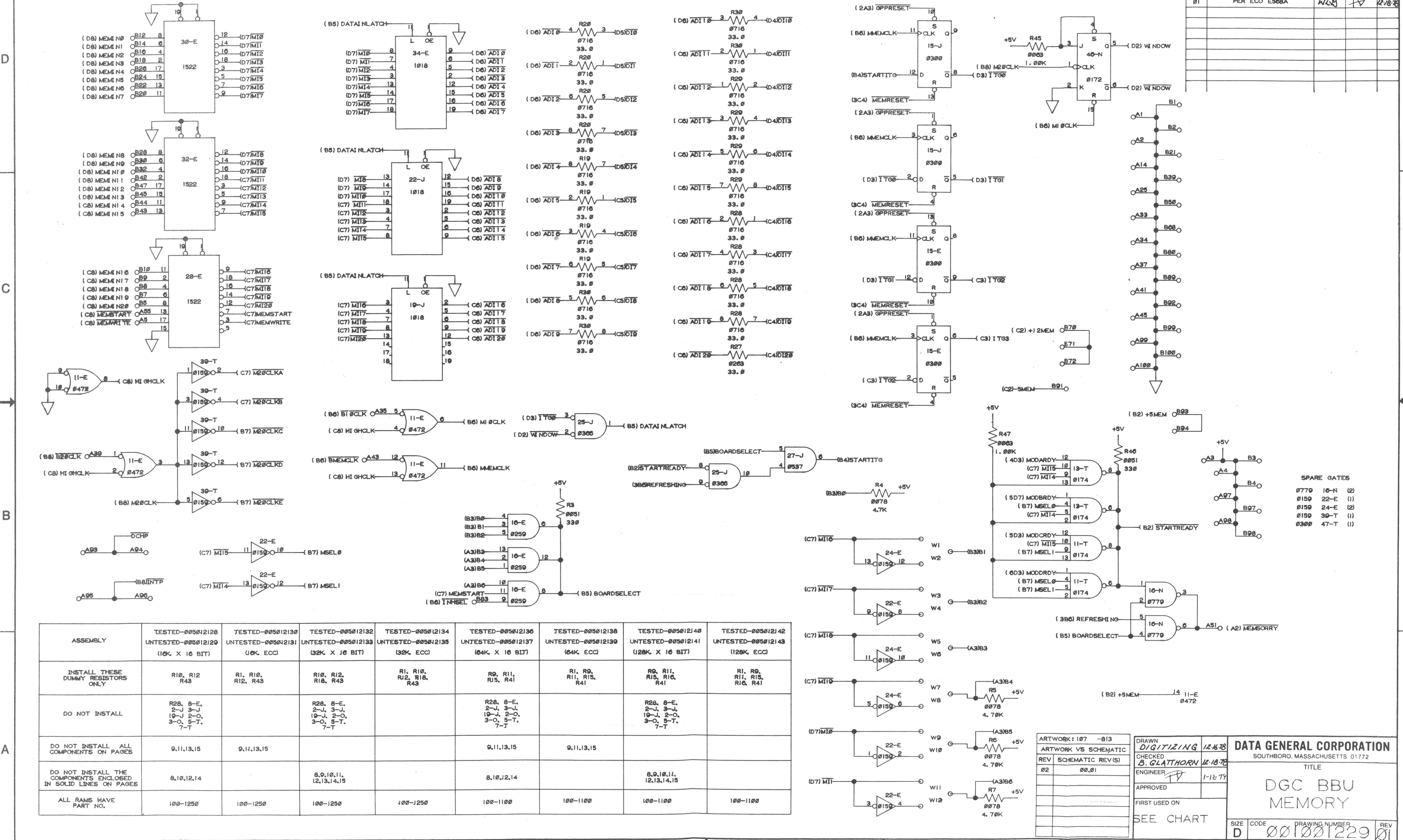


THIS DRAWING AND SPECIFICATIONS, HEREIN, ARE THE PROPERTY OF DATA GENERAL CORPORATION AND SHALL NOT BE REPRODUCED OR COPIED OR USED IN WHOLE OR IN PART AS THE BASIS FOR MANUFACTURE OR SALE OF ITEMS WITHOUT WRITTEN PERMISSION.

REVISIONS				
REV	DESCRIPTION	DRFTG	APP BY	DATE
00	RLSD PER ECO E547			
01	PER ECO E568A	WLS	FD	12/18/78



- SPARE GATES
- 0779 16-N (2)
 - 0159 22-E (1)
 - 0150 24-E (1)
 - 0159 30-T (1)
 - 0300 47-T (1)

ASSEMBLY	TESTED-005012120 UNTESTED-005012129 (16K X 16 BIT)	TESTED-005012130 UNTESTED-005012131 (6K ECC)	TESTED-005012132 UNTESTED-005012133 (32K X 16 BIT)	TESTED-005012134 UNTESTED-005012135 (32K ECC)	TESTED-005012136 UNTESTED-005012137 (64K X 16 BIT)	TESTED-005012138 UNTESTED-005012139 (64K ECC)	TESTED-005012140 UNTESTED-005012141 (128K X 16 BIT)	TESTED-005012142 UNTESTED-005012143 (128K ECC)
INSTALL THESE DUMMY RESISTORS ONLY	R10, R12, R43	R1, R10, R12, R43	R10, R12, R18, R43	R1, R10, R12, R18, R43	R9, R11, R15, R41	R1, R9, R11, R15, R41	R9, R11, R15, R16, R41	R1, R9, R11, R15, R16, R41
DO NOT INSTALL	R28, 8-E, 2-J, 3-J, 10-J, 2-O, 3-O, 5-T, 7-T		R28, 8-E, 2-J, 3-J, 10-J, 2-O, 3-O, 5-T, 7-T		R28, 8-E, 2-J, 3-J, 10-J, 2-O, 3-O, 5-T, 7-T		R28, 8-E, 2-J, 3-J, 10-J, 2-O, 3-O, 5-T, 7-T	
DO NOT INSTALL ALL COMPONENTS ON PAGES	9,11,13,15	9,11,13,15			9,11,13,15	9,11,13,15		
DO NOT INSTALL THE COMPONENTS ENCLOSED IN SOLID LINES ON PAGES	8,10,12,14		8,9,10,11, 12,13,14,15		8,10,12,14		8,9,10,11, 12,13,14,15	
ALL RAMS HAVE PART NO.	100-1250	100-1250	100-1250	100-1250	100-1100	100-1100	100-1100	100-1100

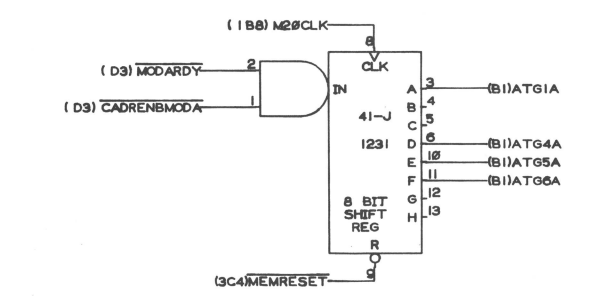
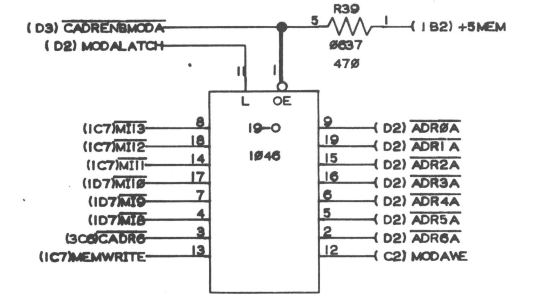
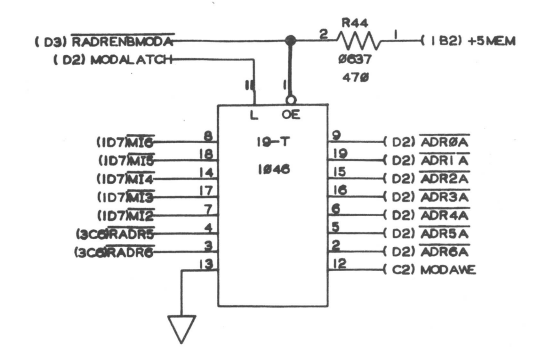
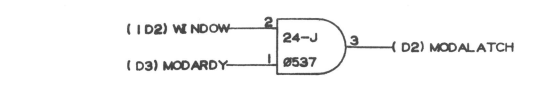
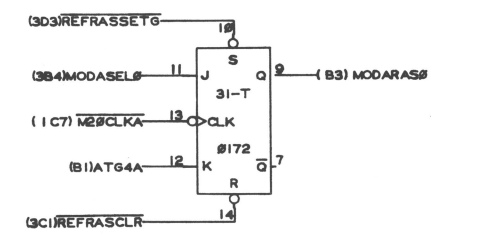
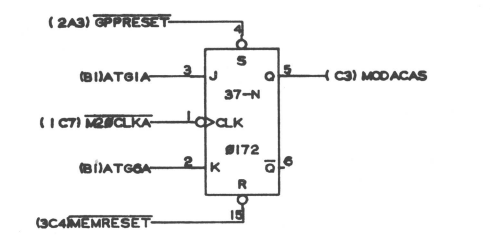
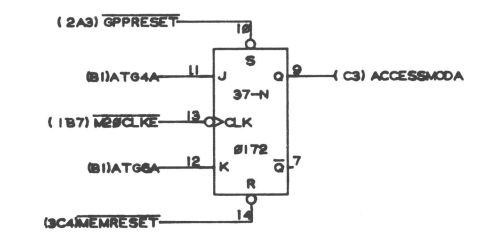
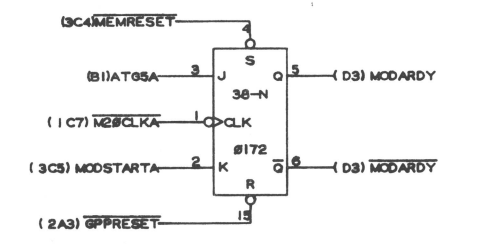
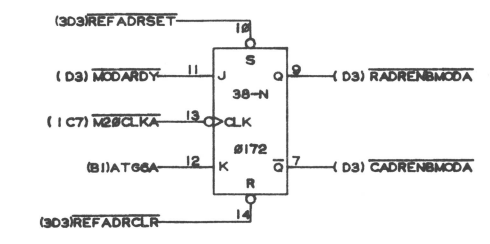
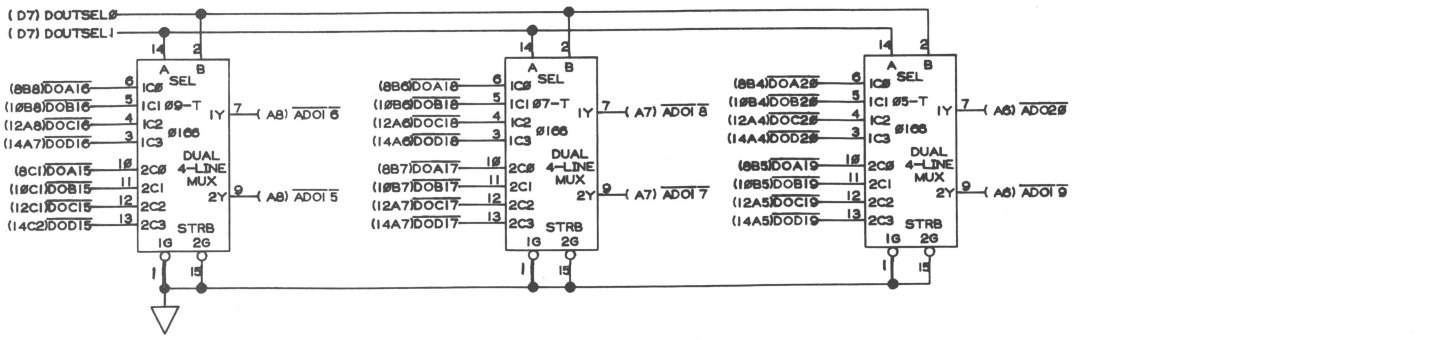
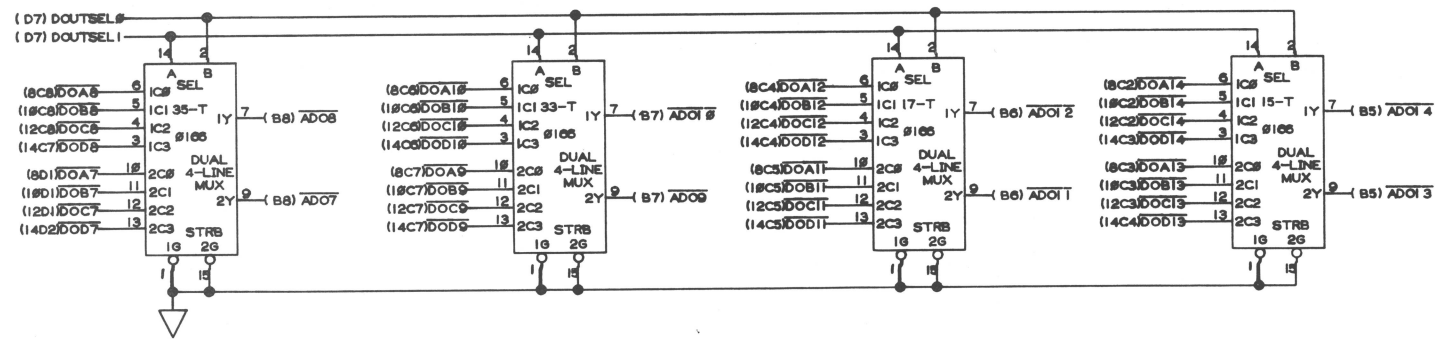
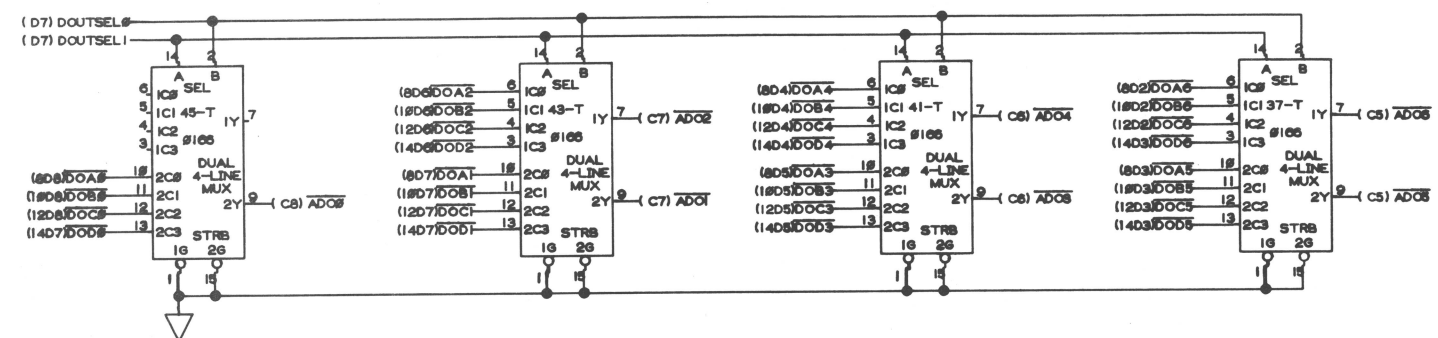
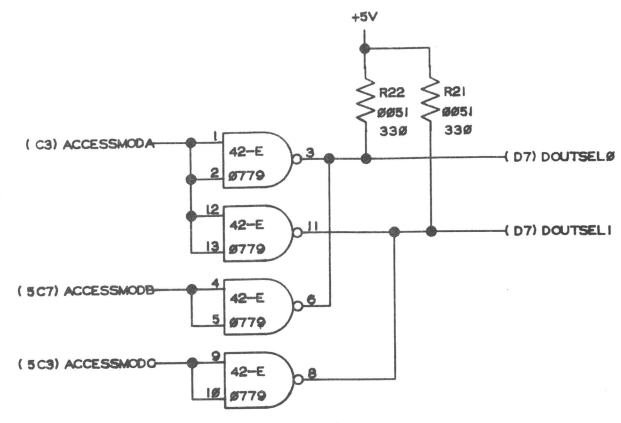
ARTWORK: 107 -813	DRAWN DIGITIZING 12-18-78	DATA GENERAL CORPORATION SOUTHBORO, MASSACHUSETTS 01772
ARTWORK VS SCHEMATIC	CHECKED B. GLATTHORN 12-18-78	
REV SCHEMATIC REV(S)	ENGINEER FD 1-12-79	TITLE DGC BBU MEMORY
02 00.01	APPROVED	SIZE CODE D
	FIRST USED ON	DRAWING NUMBER 001001229
	SEE CHART	REV 01

THIS DRAWING AND SPECIFICATIONS, HEREIN, ARE THE PROPERTY OF DATA GENERAL CORPORATION AND SHALL NOT BE REPRODUCED OR COPIED OR USED IN WHOLE OR IN PART AS THE BASIS FOR MANUFACTURE OR SALE OF ITEMS WITHOUT WRITTEN PERMISSION.

REVISIONS				
REV	DESCRIPTION	DRFTG	APP BY	DATE

D
C
B
A

D
C
B
A

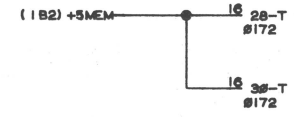
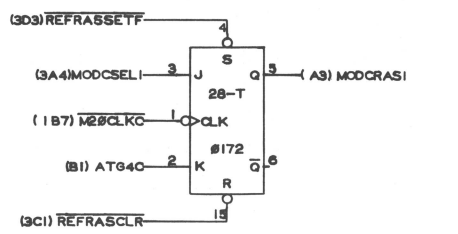
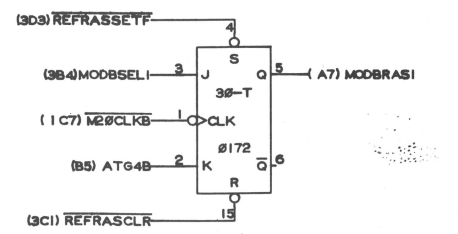
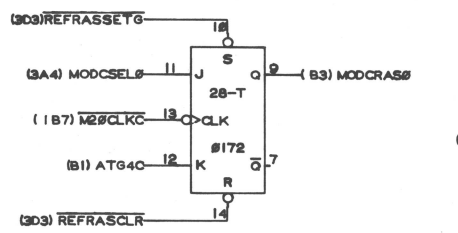
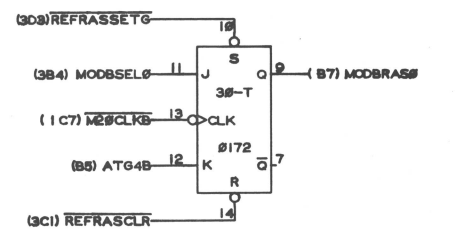
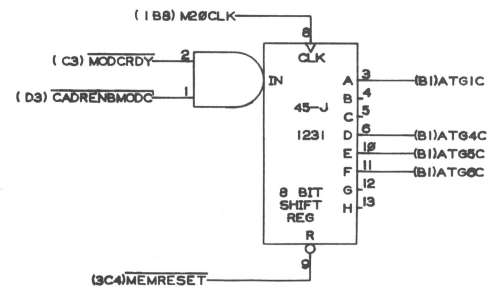
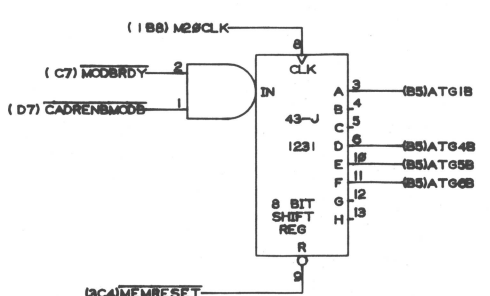
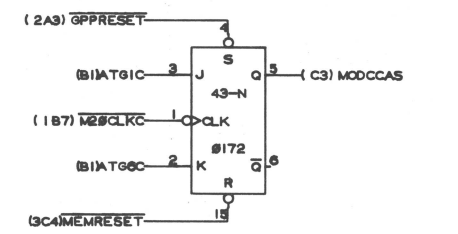
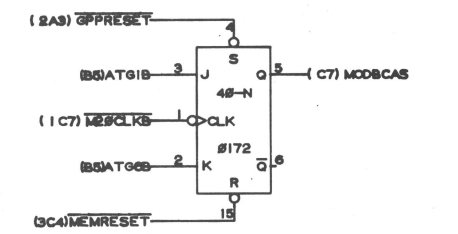
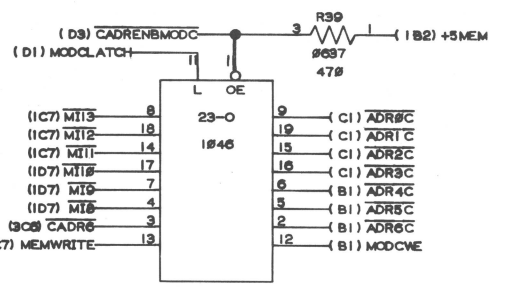
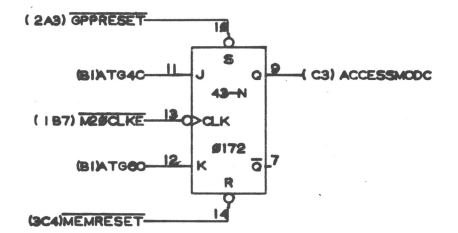
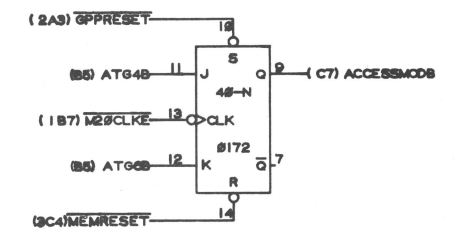
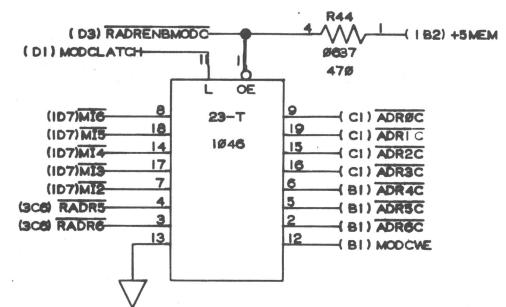
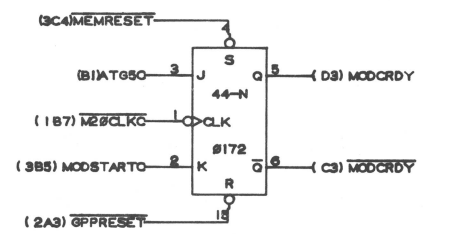
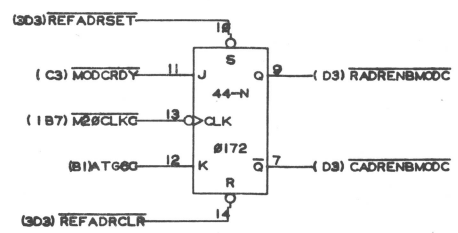
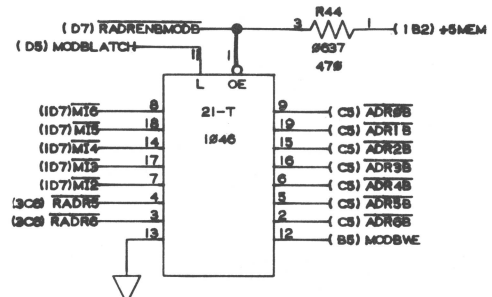
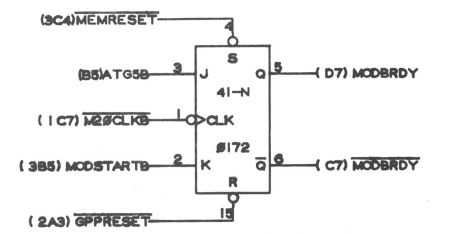
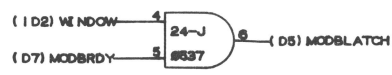
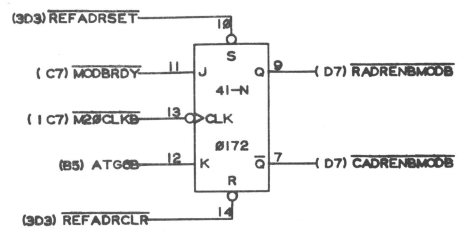


(1B2) +5MEM — 19 31-T #172

DRAWN		DATA GENERAL CORPORATION SOUTHBORO, MASSACHUSETTS 01772 TITLE DGC BBU MEMORY SIZE CODE DRAWING NUMBER REV D 001001229 01
CHECKED		
ENGINEER		
APPROVED		
FIRST USED ON		

THIS DRAWING AND SPECIFICATIONS, HEREIN, ARE THE PROPERTY OF DATA GENERAL CORPORATION AND SHALL NOT BE REPRODUCED OR COPIED OR USED IN WHOLE OR IN PART AS THE BASIS FOR MANUFACTURE OR SALE OF ITEMS WITHOUT WRITTEN PERMISSION.

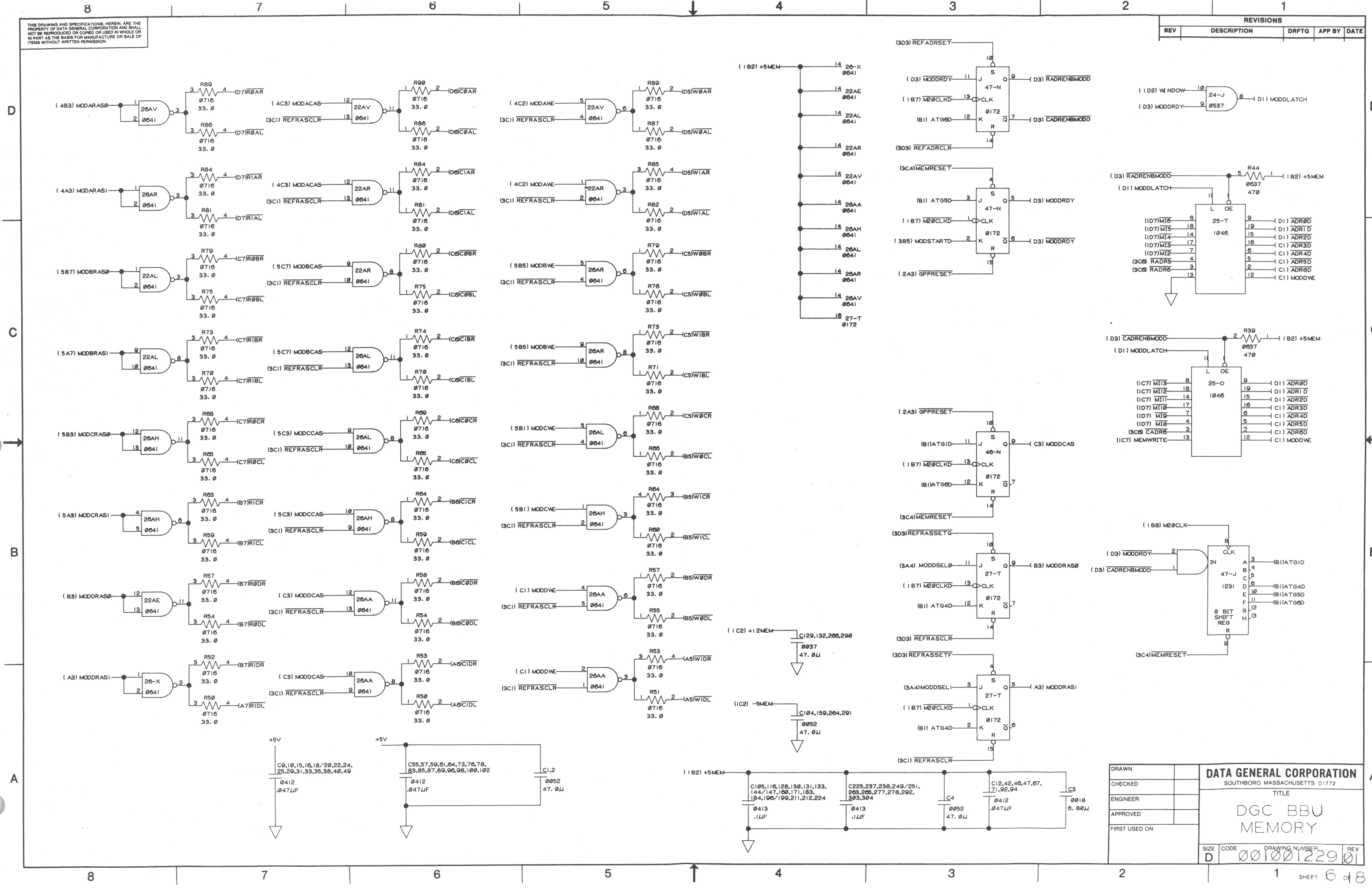
REVISIONS			
REV	DESCRIPTION	DRFTG	APP BY DATE



DRAWN		DATA GENERAL CORPORATION SOUTHBORO, MASSACHUSETTS 01772 TITLE DGC BBU MEMORY
CHECKED		
ENGINEER		
APPROVED		
FIRST USED ON		
SIZE	CODE	DRAWING NUMBER
D		001001229 01

THIS DRAWING AND SPECIFICATIONS, HEREIN, ARE THE PROPERTY OF DATA GENERAL CORPORATION AND SHALL NOT BE REPRODUCED OR COPIED OR USED IN WHOLE OR IN PART AS THE BASIS FOR MANUFACTURE OR SALE OF ITEMS WITHOUT WRITTEN PERMISSION.

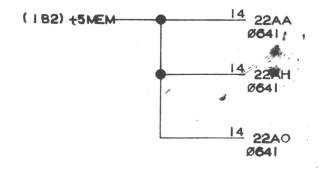
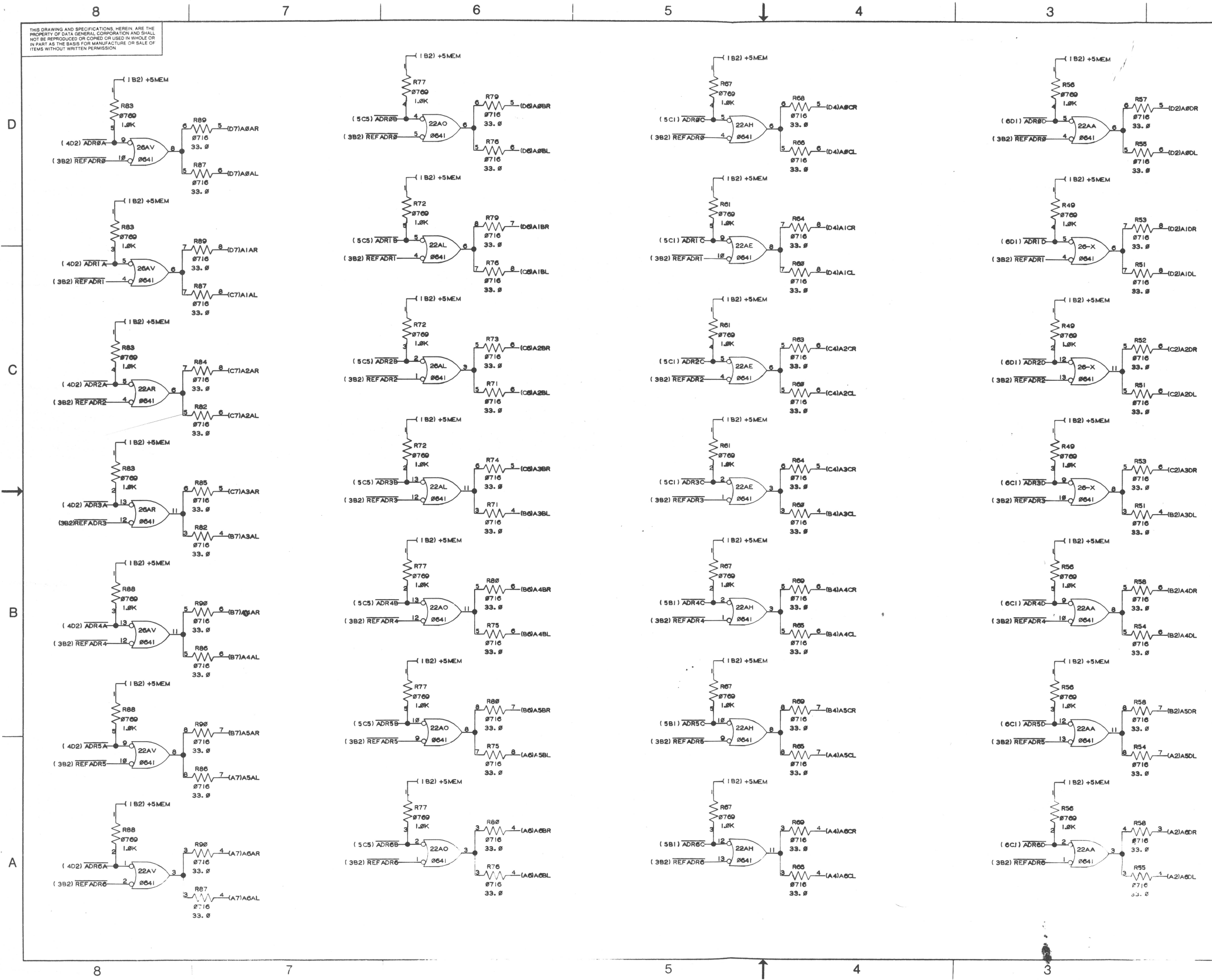
REVISIONS			
REV	DESCRIPTION	DRFTG	APP BY DATE



DRAWN		DATA GENERAL CORPORATION SOUTHBORO, MASSACHUSETTS 01772 TITLE DGC BBU MEMORY	
CHECKED			
ENGINEER			
APPROVED			
FIRST USED ON			
SIZE	CODE	DRAWING NUMBER	REV
D		001001229	01

THIS DRAWING AND SPECIFICATIONS, HEREIN, ARE THE PROPERTY OF DATA GENERAL CORPORATION AND SHALL NOT BE REPRODUCED OR COPIED OR USED IN WHOLE OR IN PART AS THE BASIS FOR MANUFACTURE OR SALE OF ITEMS WITHOUT WRITTEN PERMISSION.

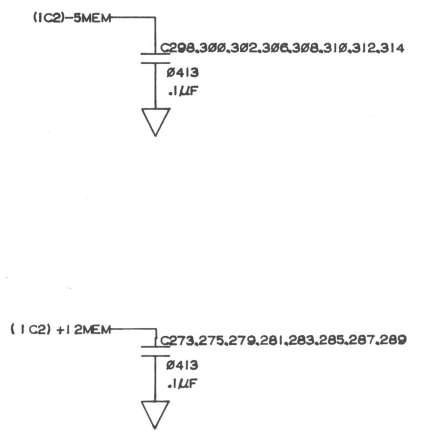
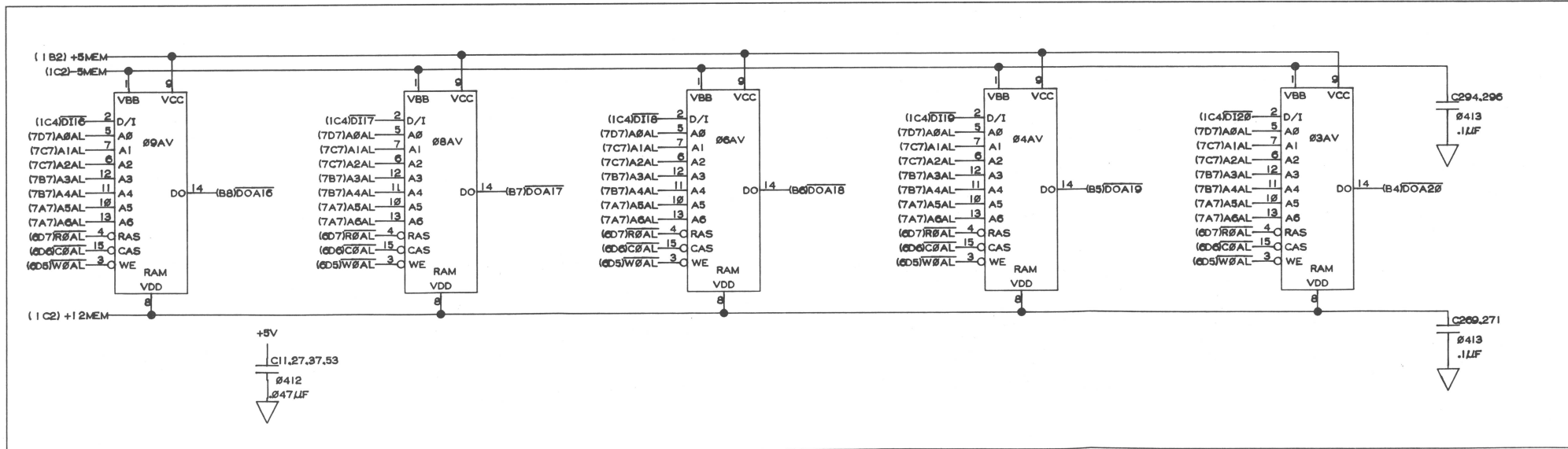
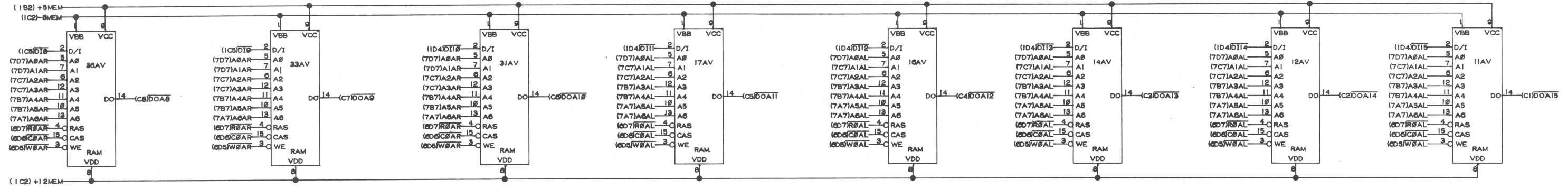
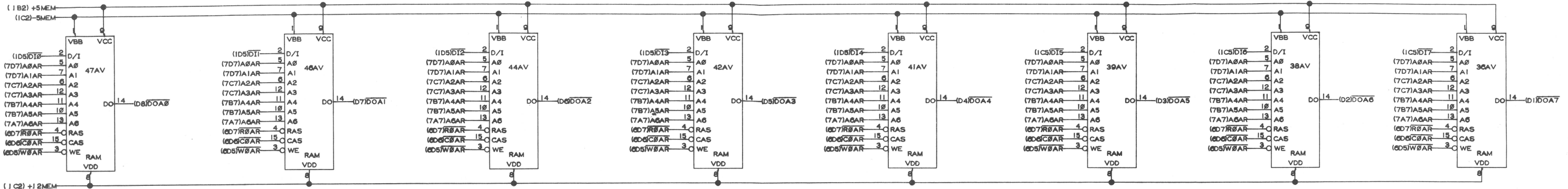
REVISIONS				
REV	DESCRIPTION	DRFTG	APP BY	DATE



DRAWN		DATA GENERAL CORPORATION SOUTH BORD, MASSACHUSETTS 01772 FILE DGC BBU MEMORY SIZE CODE DRAWING NO. 001001229 01
CHECKED		
ENGINEER		
APPROVED		
FIRST USED ON		

THIS DRAWING AND SPECIFICATIONS, HEREIN, ARE THE PROPERTY OF DATA GENERAL CORPORATION AND SHALL NOT BE REPRODUCED OR COPIED OR USED IN WHOLE OR IN PART AS THE BASIS FOR MANUFACTURE OR SALE OF ITEMS WITHOUT WRITTEN PERMISSION.

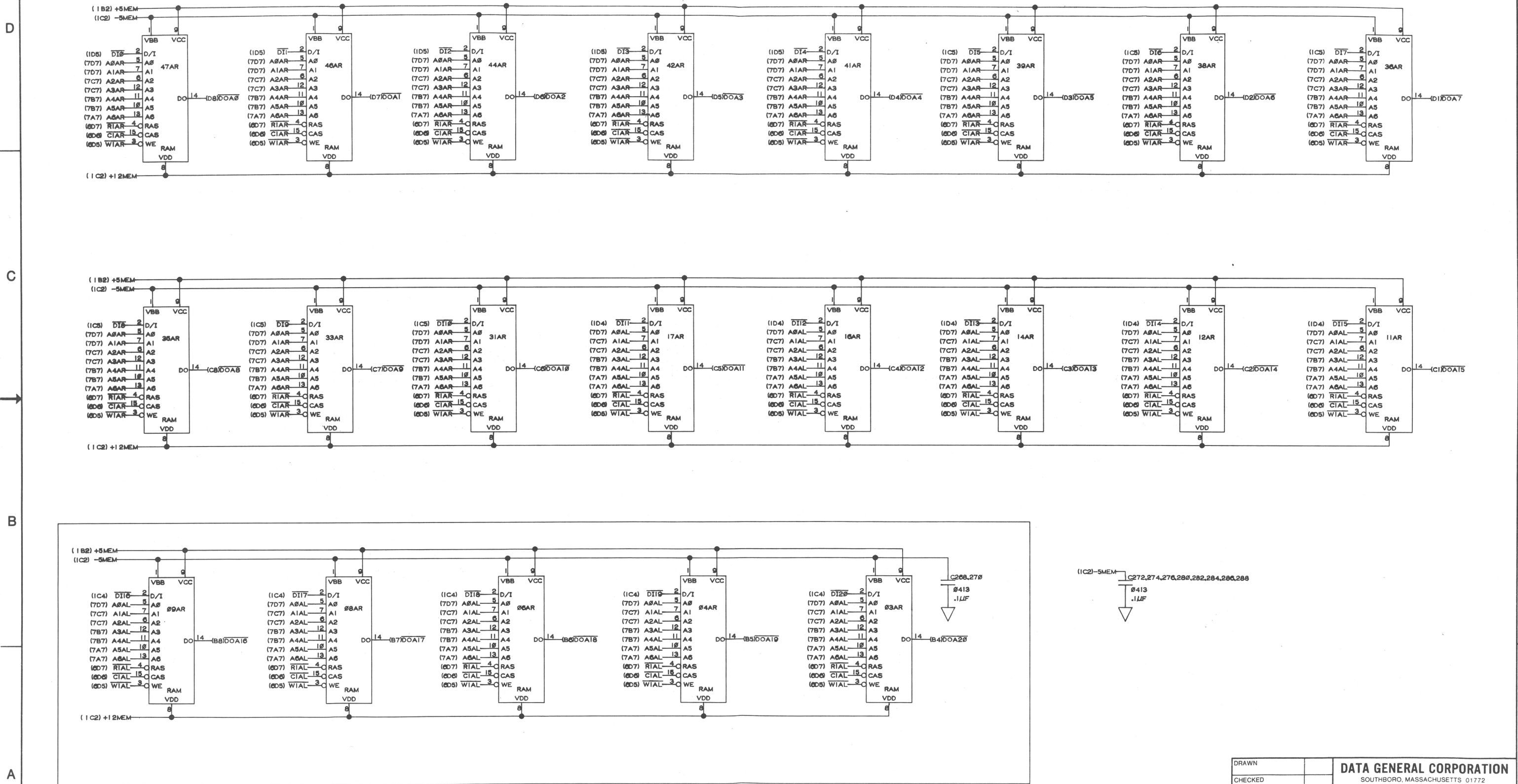
REVISIONS				
REV	DESCRIPTION	DRFTG	APP BY	DATE



DRAWN		DATA GENERAL CORPORATION SOUTHBORO, MASSACHUSETTS 01772 TITLE DGC BBU MEMORY	
CHECKED			
ENGINEER			
APPROVED			
FIRST USED ON			
SIZE	CODE	DRAWING NUMBER	REV
D		001001229	01

THIS DRAWING AND SPECIFICATIONS, HEREIN, ARE THE PROPERTY OF DATA GENERAL CORPORATION AND SHALL NOT BE REPRODUCED OR COPIED OR USED IN WHOLE OR IN PART AS THE BASIS FOR MANUFACTURE OR SALE OF ITEMS WITHOUT WRITTEN PERMISSION.

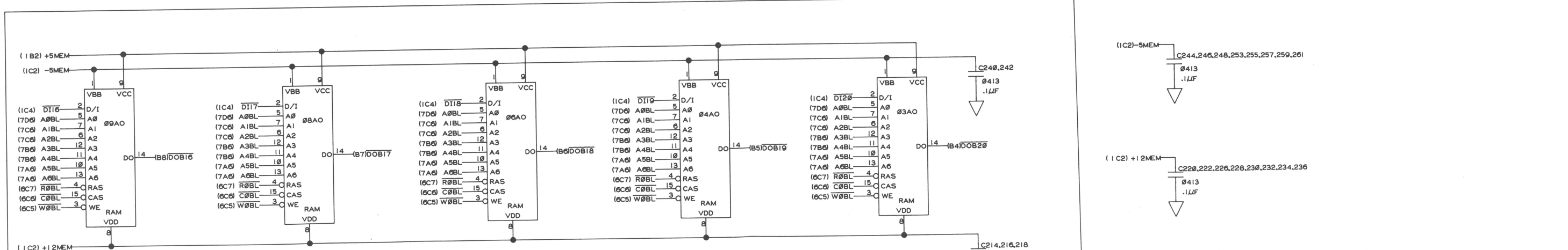
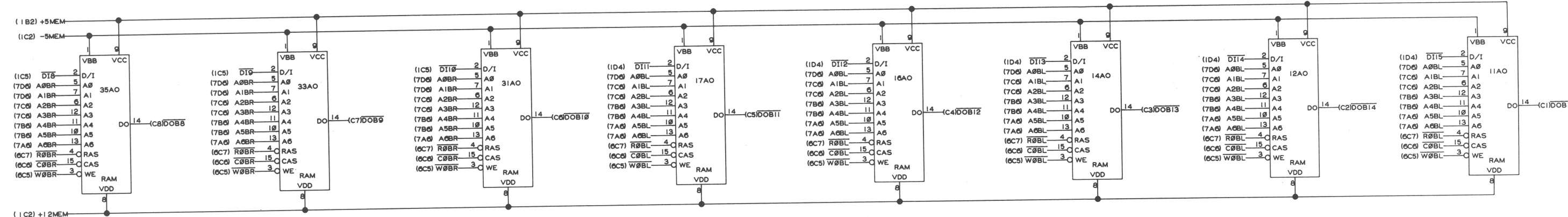
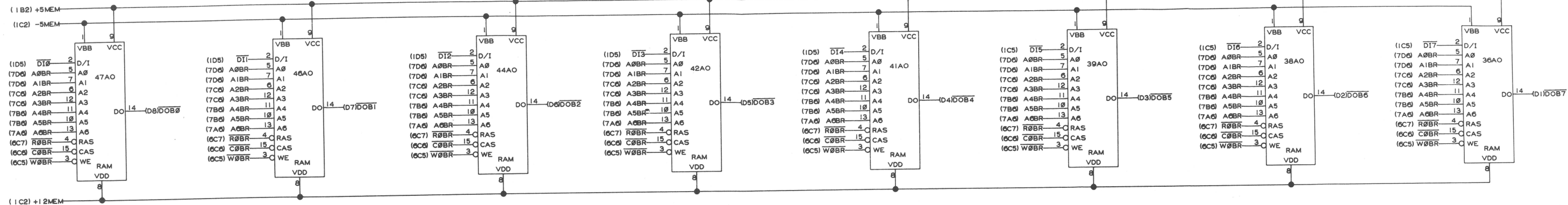
REVISIONS				
REV	DESCRIPTION	DRFTG	APP BY	DATE



DRAWN		DATA GENERAL CORPORATION SOUTHBORO, MASSACHUSETTS 01772 TITLE DGC BBU MEMORY	
CHECKED			
ENGINEER			
APPROVED			
FIRST USED ON			
SIZE	D	DRAWING NUMBER	REV
		00100122901	01

3 DRAWINGS AND SPECIFICATIONS HEREIN ARE THE PROPERTY OF DATA GENERAL CORPORATION AND SHALL NOT BE REPRODUCED OR COPIED OR USED IN WHOLE OR IN PART AS THE BASIS FOR MANUFACTURE OR SALE OF ITEMS WITHOUT WRITTEN PERMISSION.

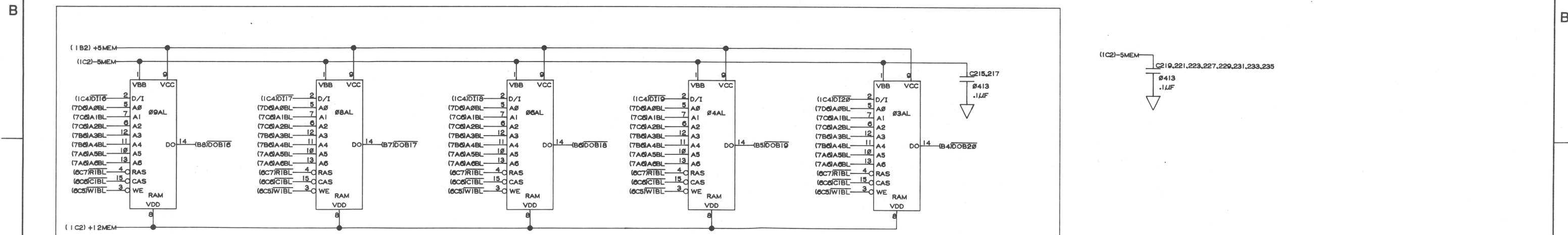
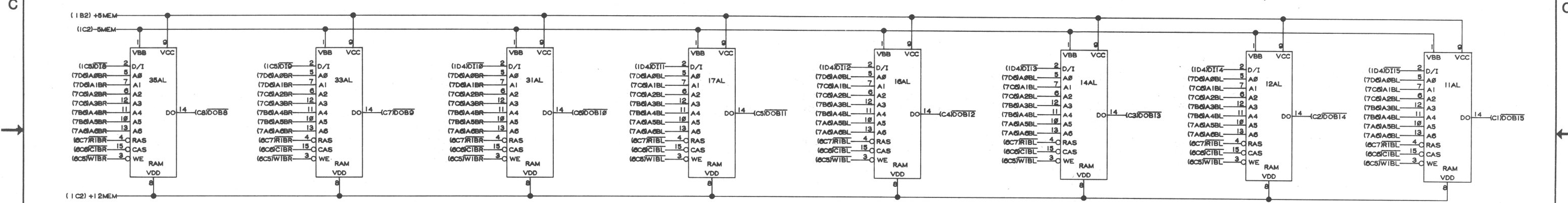
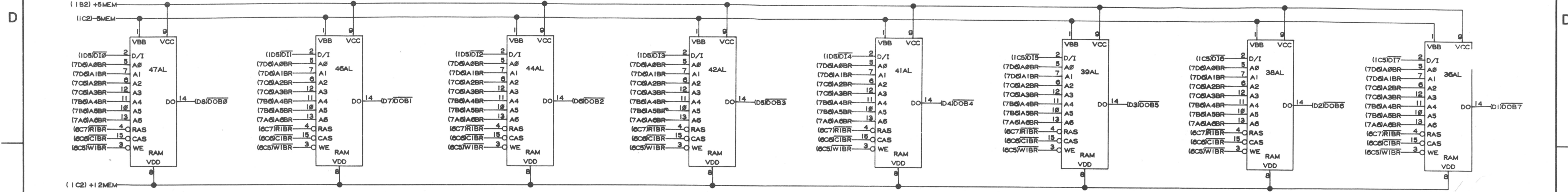
REVISIONS				
REV	DESCRIPTION	DRFTG	APP BY	DATE



DRAWN		DATA GENERAL CORPORATION SOUTHBORO, MASSACHUSETTS 01772 TITLE DGC BBU MEMORY	
CHECKED			
ENGINEER			
APPROVED			
FIRST USED ON			
SIZE	CODE	DRAWING NUMBER	REV
D		001001229	01

THIS DRAWING AND SPECIFICATIONS HEREIN ARE THE PROPERTY OF DATA GENERAL CORPORATION AND SHALL NOT BE REPRODUCED OR COPIED OR USED IN WHOLE OR IN PART AS THE BASIS FOR MANUFACTURE OR SALE OF ITEMS WITHOUT WRITTEN PERMISSION.

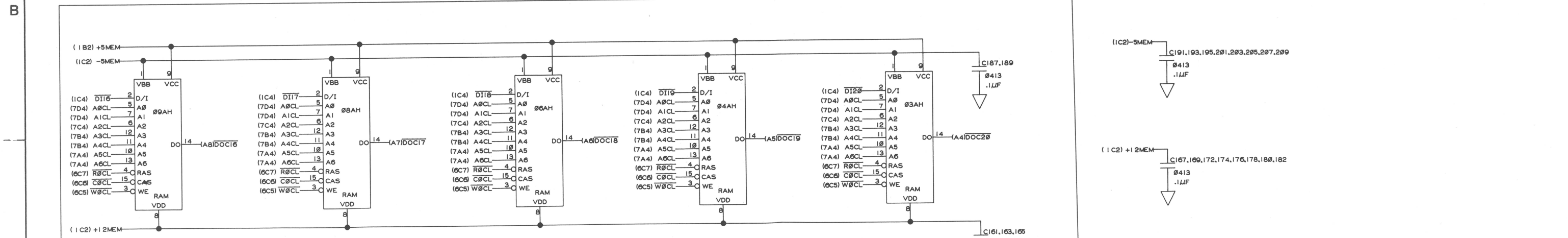
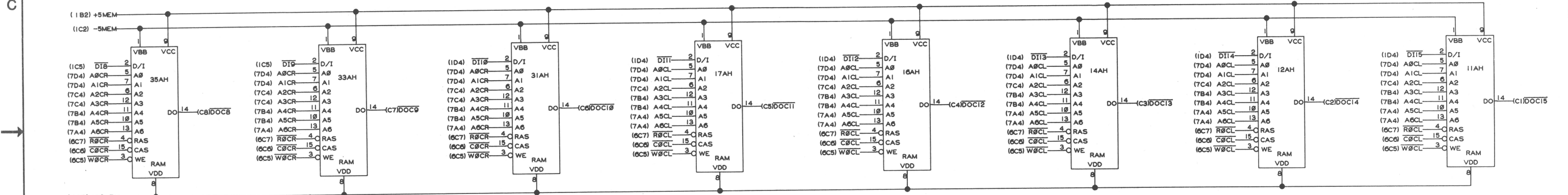
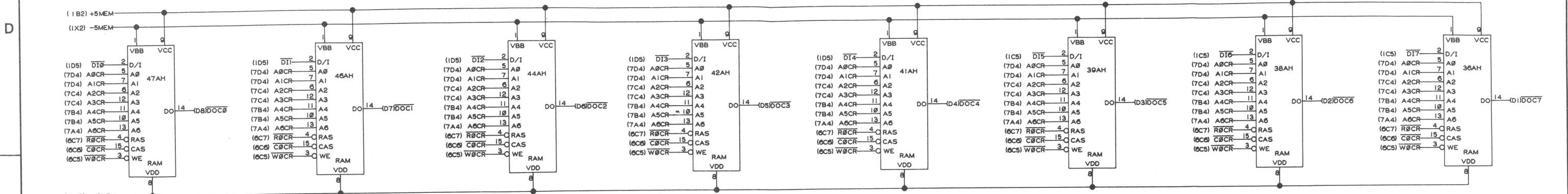
REVISIONS				
REV	DESCRIPTION	DRFTG	APP BY	DATE



DRAWN		DATA GENERAL CORPORATION SOUTHBORO, MASSACHUSETTS 01772 TITLE DGC BBU MEMORY
CHECKED		
ENGINEER		
APPROVED		
FIRST USED ON		
SIZE	CODE	DRAWING NUMBER
D		00100122901

THIS DRAWING AND SPECIFICATIONS, HEREIN, ARE THE PROPERTY OF DATA GENERAL CORPORATION AND SHALL NOT BE REPRODUCED OR COPIED OR USED IN WHOLE OR IN PART AS THE BASIS FOR MANUFACTURE OR SALE OF ITEMS WITHOUT WRITTEN PERMISSION.

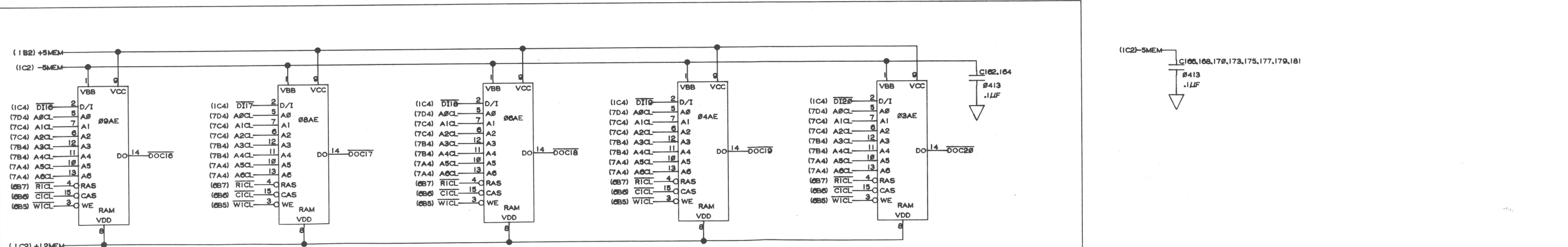
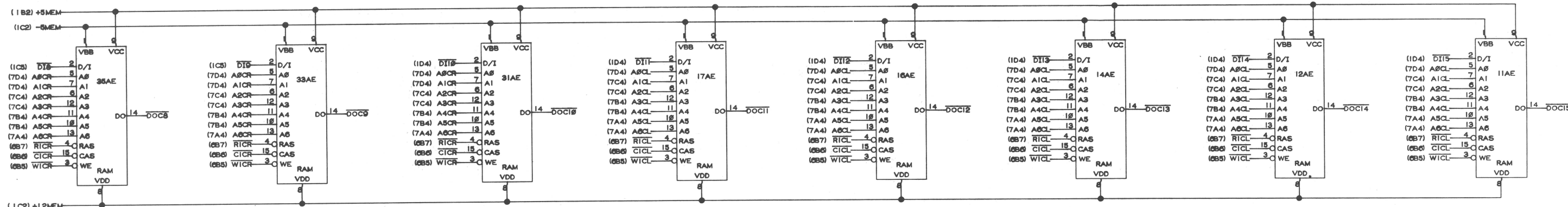
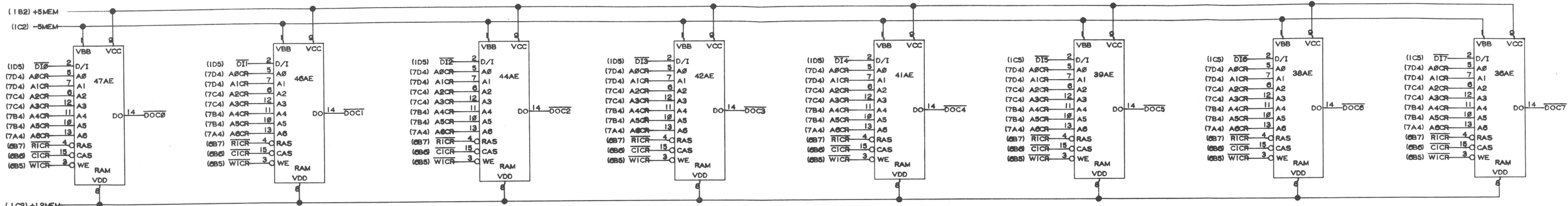
REVISIONS				
REV	DESCRIPTION	DRFTG	APP BY	DATE



DRAWN		DATA GENERAL CORPORATION SOUTHBORO, MASSACHUSETTS 01772 TITLE DGC BBU MEMORY	
CHECKED			
ENGINEER			
APPROVED			
FIRST USED ON			
SIZE	CODE	DRAWING NUMBER	REV
D		001001229	01

THIS DRAWING AND SPECIFICATIONS HEREIN ARE THE PROPERTY OF DATA GENERAL CORPORATION AND SHALL NOT BE REPRODUCED OR COPIED OR USED IN WHOLE OR IN PART AS THE BASIS FOR MANUFACTURE OR SALE OF ITEMS WITHOUT WRITTEN PERMISSION.

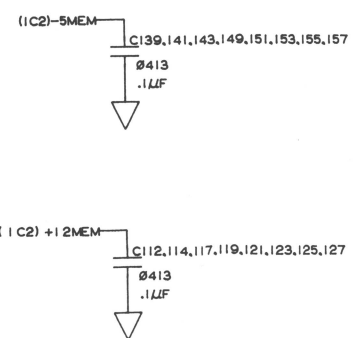
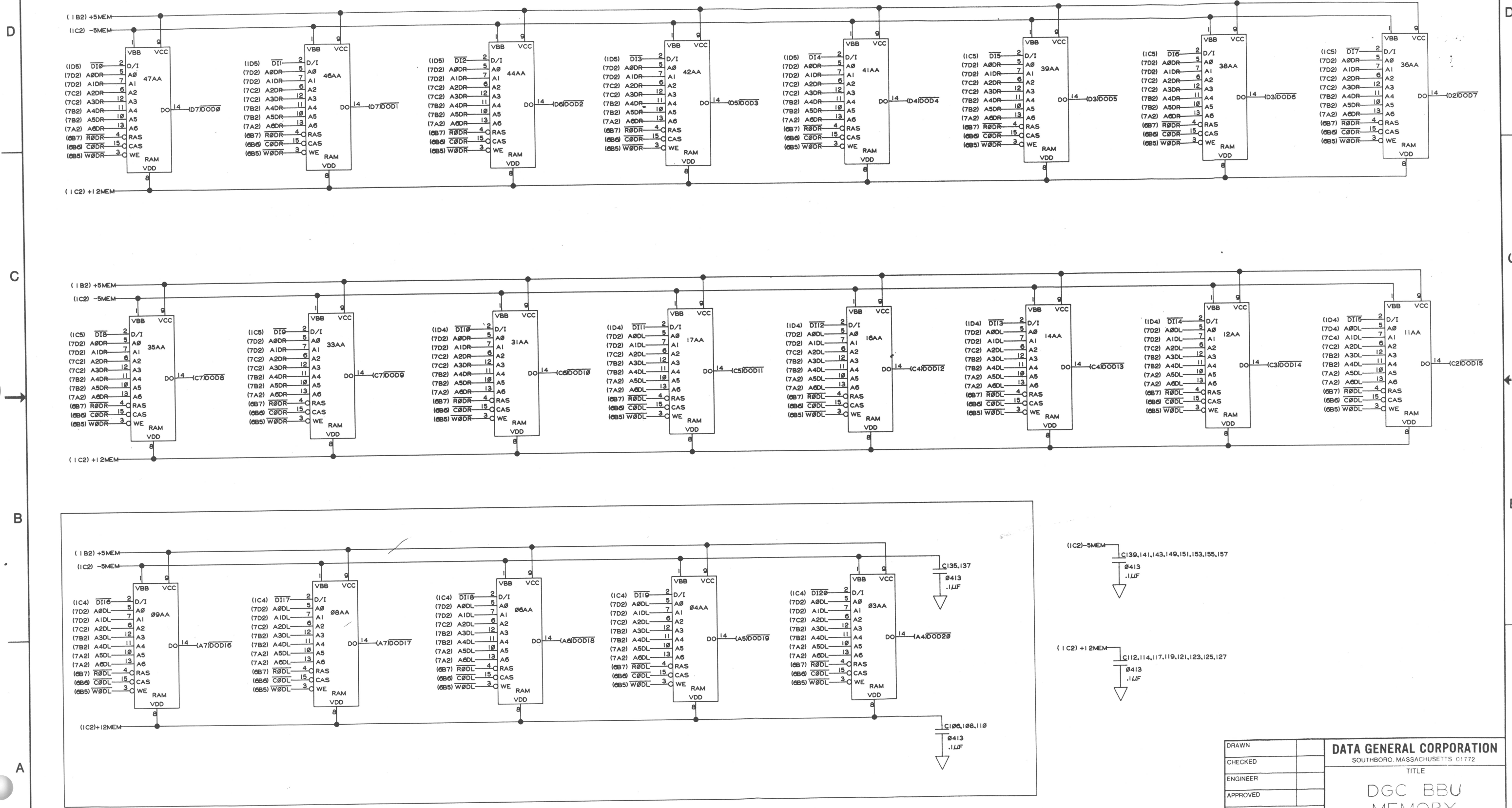
REVISIONS				
REV	DESCRIPTION	DRFTG	APP BY	DATE



DRAWN		DATA GENERAL CORPORATION SOUTHBORO, MASSACHUSETTS 01772 TITLE DGC BBU MEMORY	
CHECKED			
ENGINEER			
APPROVED			
FIRST USED ON			
SIZE	CODE	DRAWING NUMBER	REV
D		001001229	01

REVISIONS				
REV	DESCRIPTION	DRFTG	APP BY	DATE

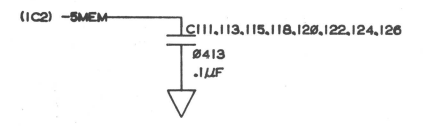
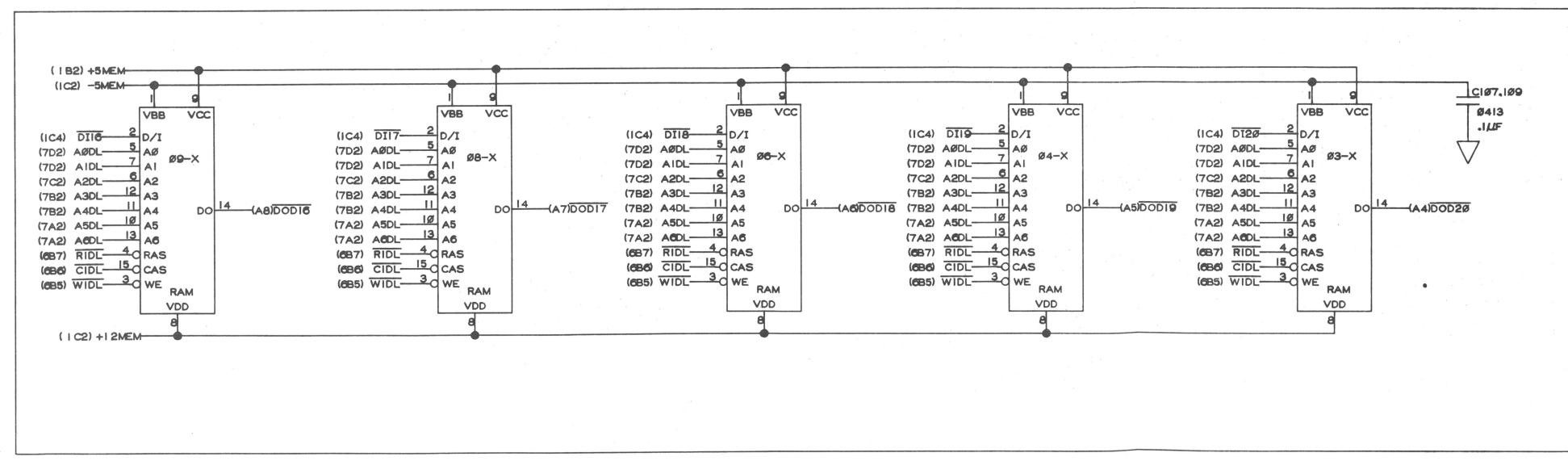
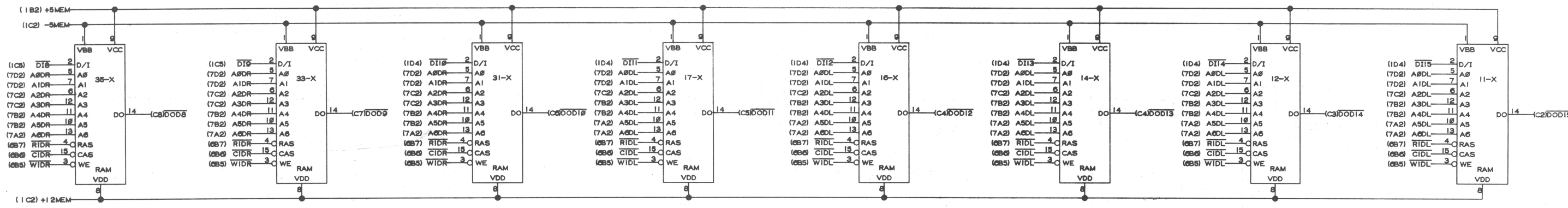
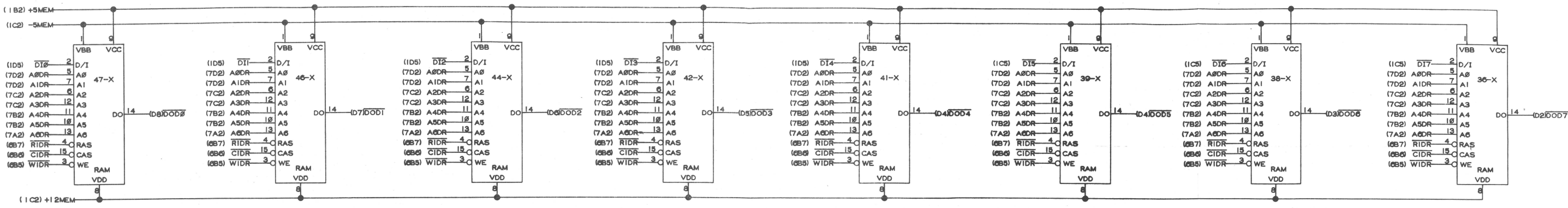
THIS DRAWING AND SPECIFICATIONS, HEREIN, ARE THE PROPERTY OF DATA GENERAL CORPORATION AND SHALL NOT BE REPRODUCED OR COPIED OR USED IN WHOLE OR IN PART AS THE BASIS FOR MANUFACTURE OR SALE OF ITEMS WITHOUT WRITTEN PERMISSION.



DRAWN		DATA GENERAL CORPORATION SOUTHBORO, MASSACHUSETTS 01772 TITLE DGC BBU MEMORY	
CHECKED			
ENGINEER			
APPROVED			
FIRST USED ON			
SIZE	CODE	DRAWING NUMBER	REV
D		00100122901	01

THIS DRAWING AND SPECIFICATIONS, HEREIN, ARE THE PROPERTY OF DATA GENERAL CORPORATION AND SHALL NOT BE REPRODUCED OR COPIED OR USED IN WHOLE OR IN PART AS THE BASIS FOR MANUFACTURE OR SALE OF ITEMS WITHOUT WRITTEN PERMISSION.

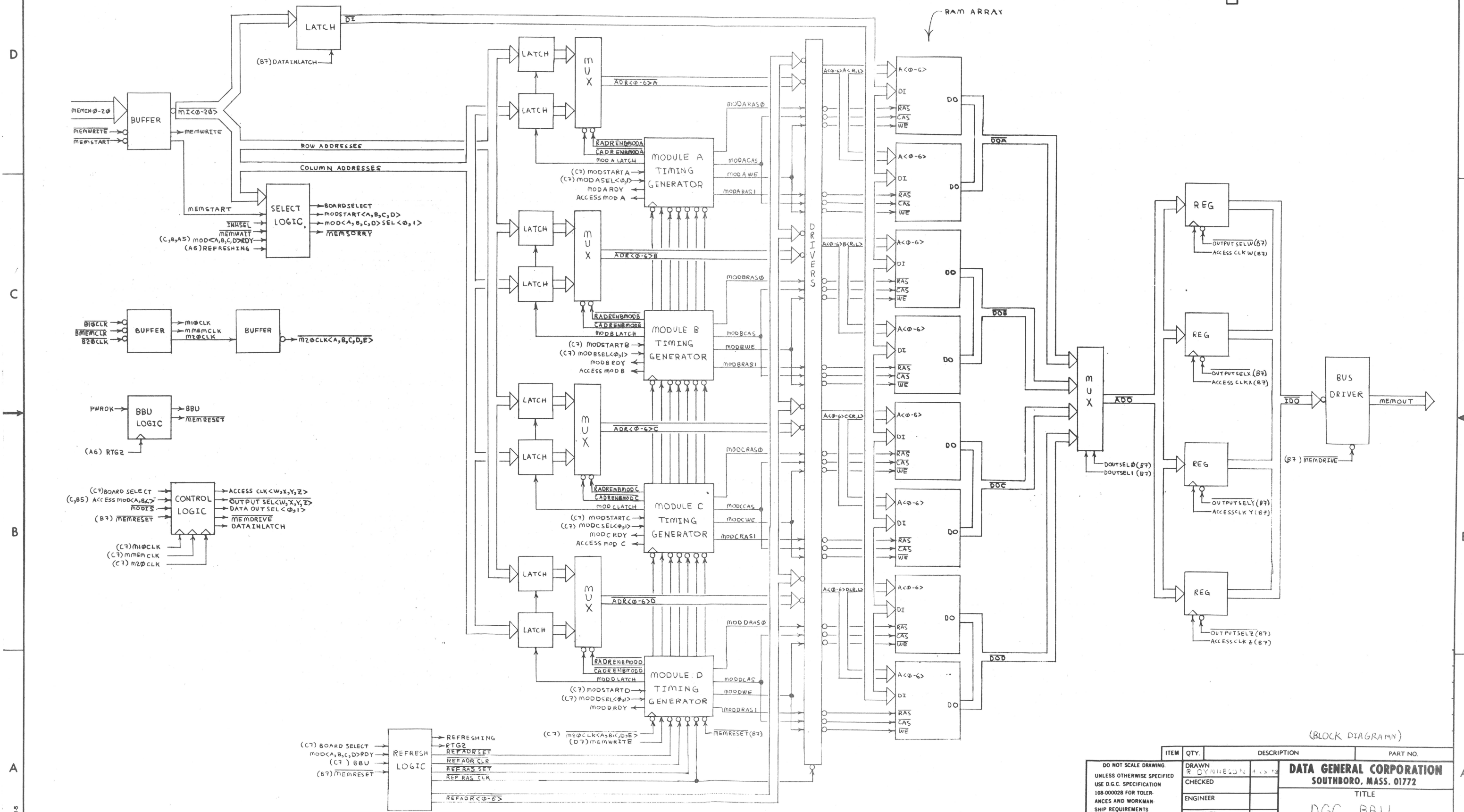
REVISIONS				
REV	DESCRIPTION	DRFTG	APP BY	DATE



DRAWN		DATA GENERAL CORPORATION SOUTHBORO, MASSACHUSETTS 01772 TITLE DGC BBU MEMORY
CHECKED		
ENGINEER		
APPROVED		
FIRST USED ON		
SIZE	D	CODE 00100122901
		DRAWING NUMBER 00100122901
		REV 01

THIS DRAWING AND SPECIFICATIONS, HEREIN, ARE THE PROPERTY OF DATA GENERAL CORPORATION AND SHALL NOT BE REPRODUCED OR COPIED OR USED IN WHOLE OR IN PART AS THE BASIS FOR MANUFACTURE OR SALE OF ITEMS WITHOUT WRITTEN PERMISSION.

REVISIONS			
REV.	DESCRIPTION	DRFTG.	APP. BY DATE
REV. ECO.			



(BLOCK DIAGRAM)

ITEM	QTY.	DESCRIPTION	PART NO.
DO NOT SCALE DRAWING. UNLESS OTHERWISE SPECIFIED USE D.G.C. SPECIFICATION 108-00028 FOR TOLERANCES AND WORKMANSHIP REQUIREMENTS.			
DRAWN BY DYNESON		DATA GENERAL CORPORATION SOUTHBORO, MASS. 01772	
CHECKED		TITLE	
ENGINEER		DGC BBU	
APPROVED		MEMORY	
FIRST USED ON		DRAWING NUMBER	
SCALE		CODE IDENT.	REV
		34984	01

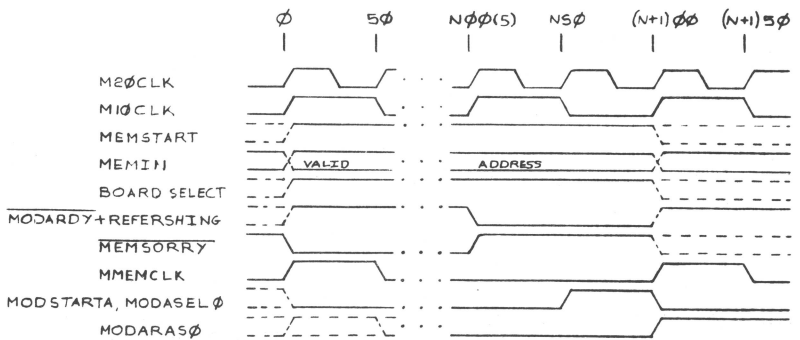
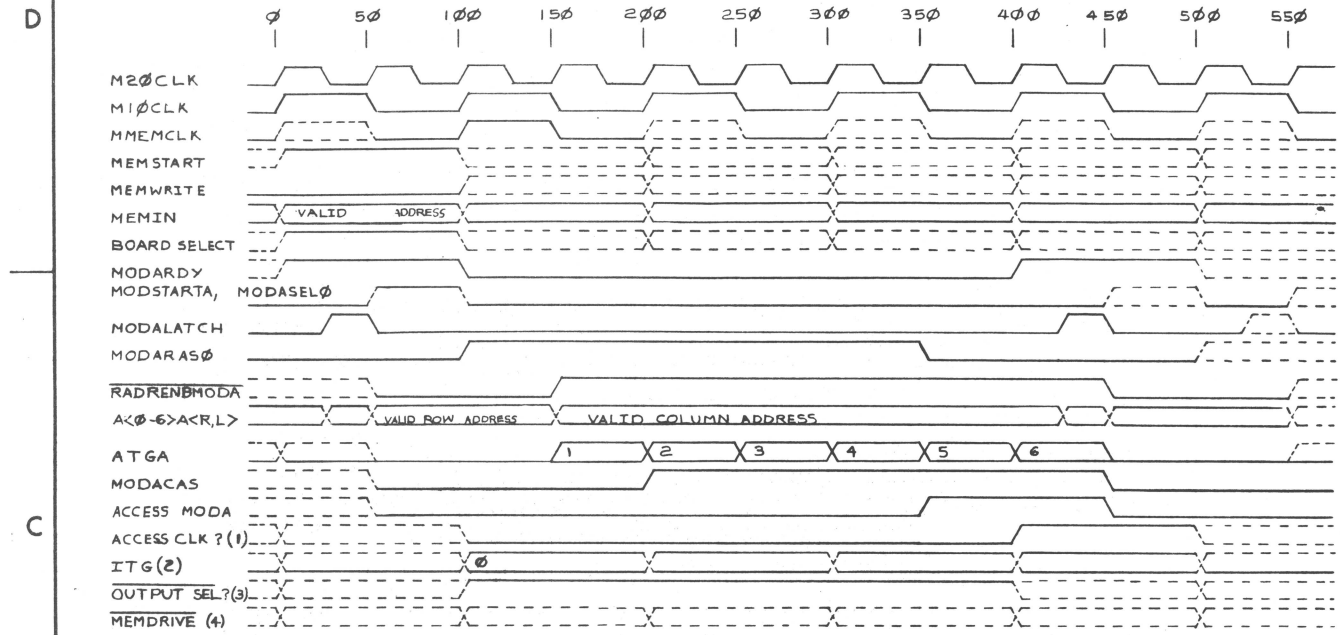
DRAWING 40526 20411-5

THIS DRAWING AND SPECIFICATIONS, HEREIN, ARE THE PROPERTY OF DATA GENERAL CORPORATION AND SHALL NOT BE REPRODUCED OR COPIED OR USED IN WHOLE OR IN PART AS THE BASIS FOR MANUFACTURE OR SALE OF ITEMS WITHOUT WRITTEN PERMISSION.

REVISIONS				
REV.	DESCRIPTION	DRFTG.	APP. BY	DATE

READ FROM MODULE A

READ FROM OR WRITE TO MODULE A DEFERRED

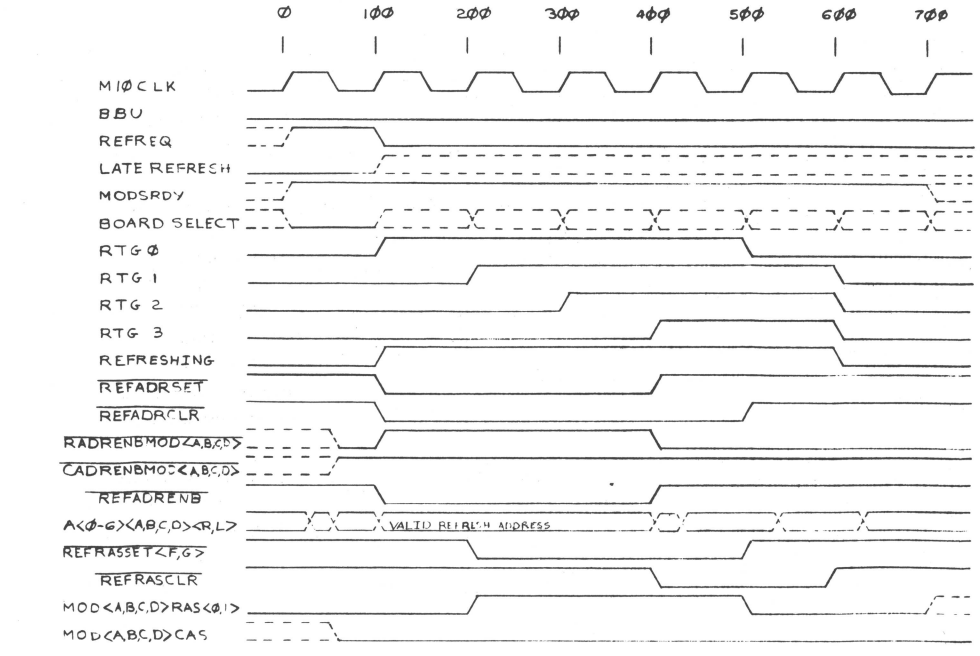
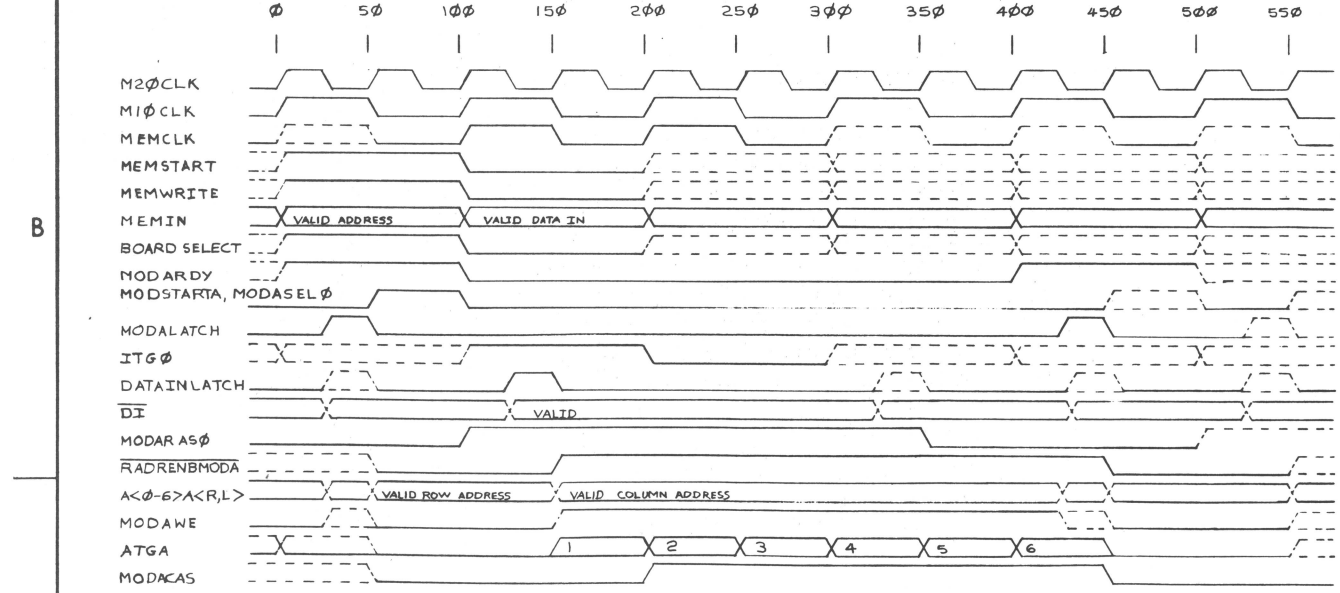


NOTE:
(5) N IS THE NO. OF 100 NS CYCLES THAT START IS DEFERRED.

- NOTES:
 (1) ? MAY BE W, X, Y, OR Z.
 (2) THE ITG REGISTER IS CLOCKED BY MMEMCLK.
 (3) ? IS THE SAME (W, X, Y OR Z) AS IN (1). OUTPUT SEL ? OCCURS DURING ITG3.
 (4) THE MEMDRIVE OF INTEREST OCCURS DURING ITG3 WHEN MODIS IS NOT ASSERTED.

WRITE TO MODULE A

NORMAL REFRESH



(TIMING)

ITEM	QTY.	DESCRIPTION	PART NO.

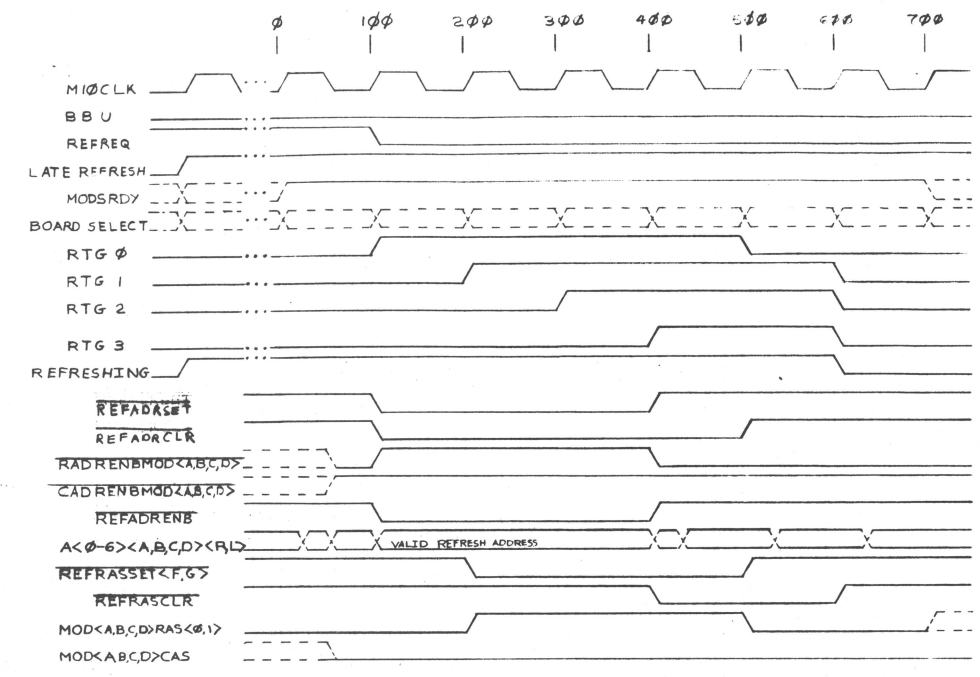
DO NOT SCALE DRAWING. UNLESS OTHERWISE SPECIFIED USE D.G.C. SPECIFICATION 108-000028 FOR TOLER- ANCES AND WORKMAN- SHIP REQUIREMENTS	DRAWN CHECKED ENGINEER APPROVED FIRST USED ON	DATA GENERAL CORPORATION SOUTHBORO, MASS. 01772 TITLE DGC BBU MEMORY
MATERIAL	SCALE	CODE IDENT. SIZE CODE DRAWING NUMBER REV
FINISH	34984 D 001	001229 01

DRAWING 00-526-20411-5

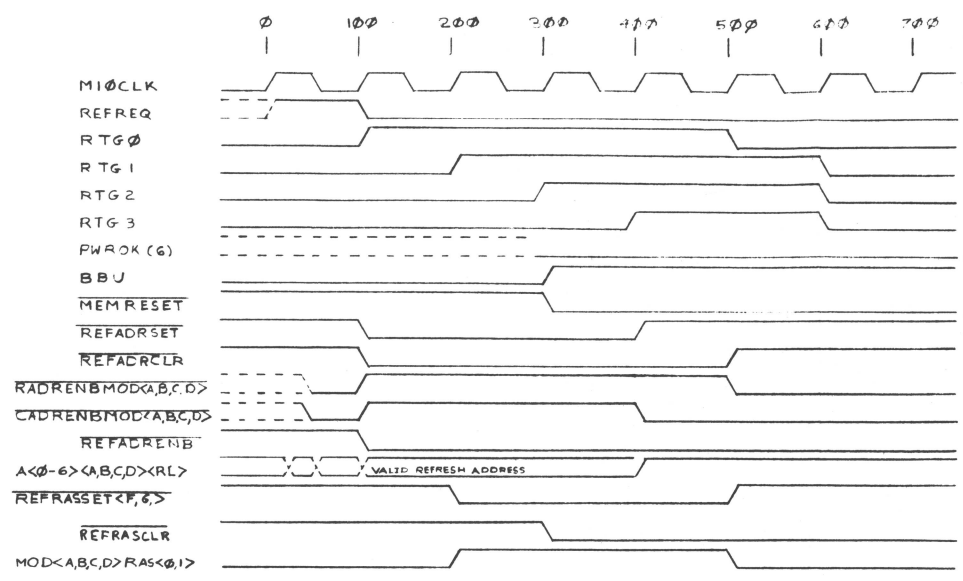
THIS DRAWING AND SPECIFICATIONS HEREIN ARE THE PROPERTY OF DATA GENERAL CORPORATION AND SHALL NOT BE REPRODUCED OR COPIED OR USED IN WHOLE OR IN PART AS THE BASIS FOR MANUFACTURE OR SALE OF ITEMS WITHOUT WRITTEN PERMISSION.

REVISIONS			
REV.	DESCRIPTION	DRFTG.	APP. BY

LATE REFRESH

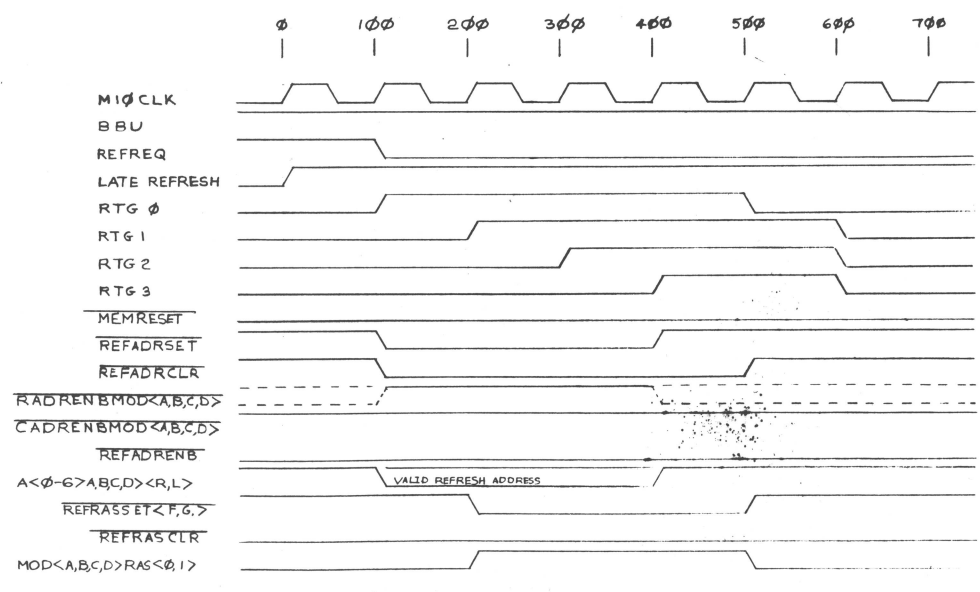


SWITCHING INTO BBU

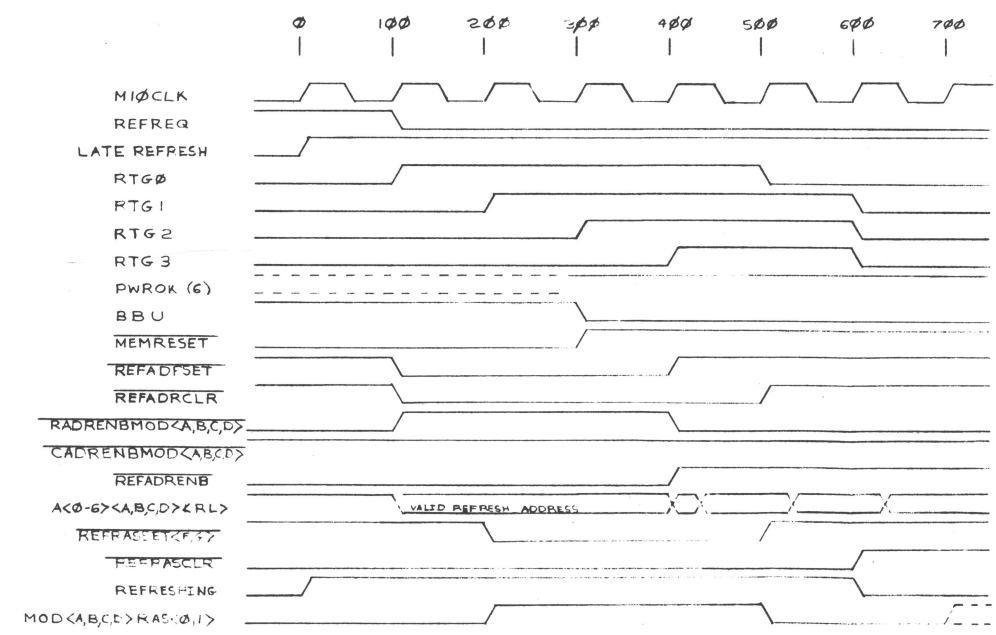


NOTE: (6) PWROK IS AN ASYNCHRONOUS SIGNAL

REFRESH DURING BBU



SWITCHING OUT OF BBU



(TIMING)

ITEM	QTY.	DESCRIPTION	PART NO.
DO NOT SCALE DRAWING.			
UNLESS OTHERWISE SPECIFIED USE D.G.C. SPECIFICATION 108-000028 FOR TOLERANCES AND WORKMANSHIP REQUIREMENTS		DRAWN 5 10 83	5 10 83
MATERIAL		CHECKED	
FINISH		ENGINEER	
		APPROVED	
		FIRST USED ON	
SCALE	CODE IDENT.	SIZE	CODE
	34984	D	001
DRAWING NUMBER		REV	
001229		01	

DATA GENERAL CORPORATION
SOUTHBORO, MASS. 01772
TITLE
DGC BBU
MEMORY

DRAWING 40-528 204 11-5

019000838