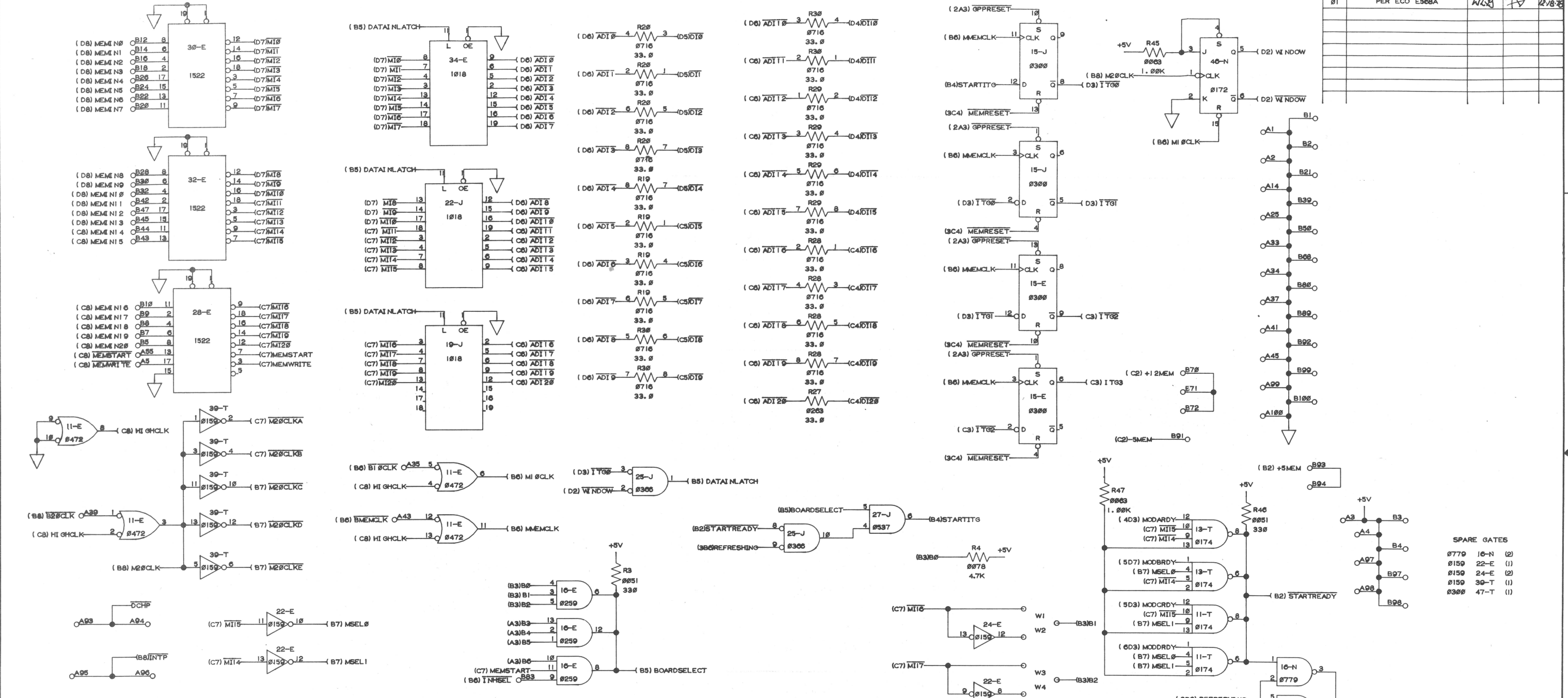


THIS DRAWING AND SPECIFICATIONS, HEREIN, ARE THE PROPERTY OF DATA GENERAL CORPORATION AND SHALL NOT BE REPRODUCED OR COPIED OR USED IN WHOLE OR IN PART AS THE BASIS FOR MANUFACTURE OR SALE OF ITEMS WITHOUT WRITTEN PERMISSION.

| REVISIONS | | | | |
|-----------|-------------------|-------|--------|----------|
| REV | DESCRIPTION | DRFTG | APP BY | DATE |
| 00 | RLSD PER ECO E547 | | | |
| 01 | PER ECO E568A | WLS | FD | 12/18/78 |



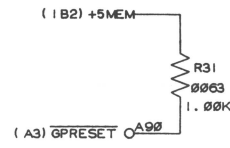
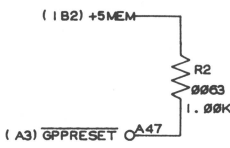
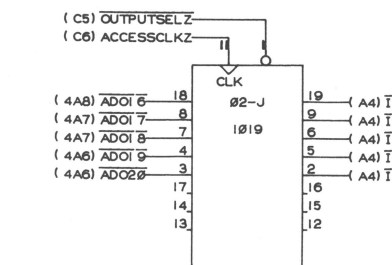
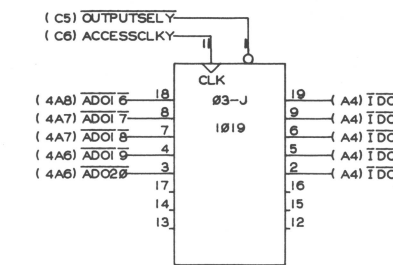
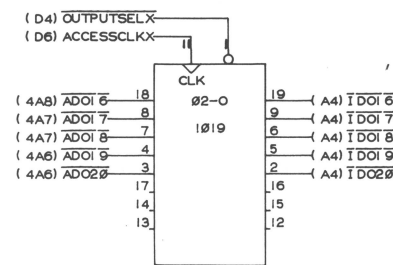
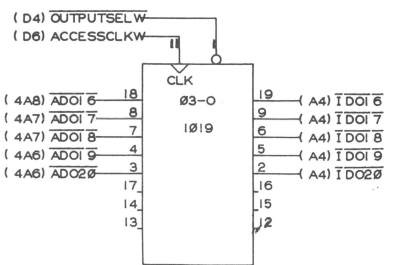
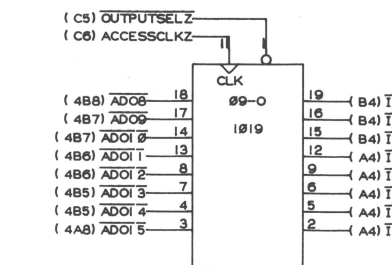
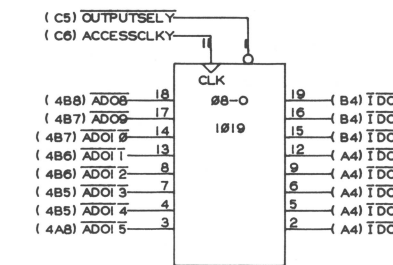
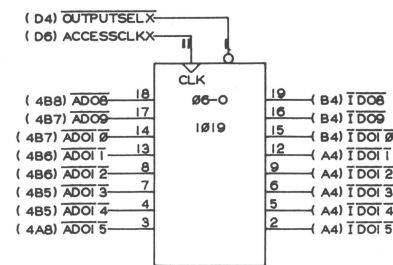
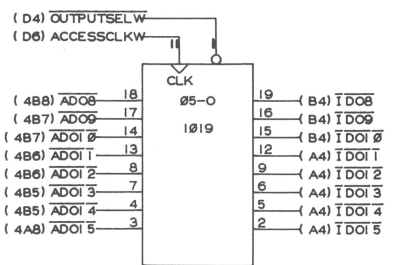
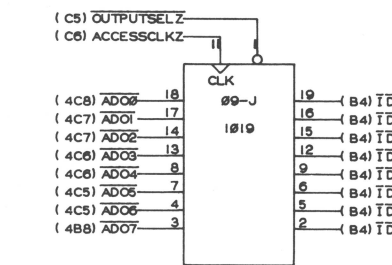
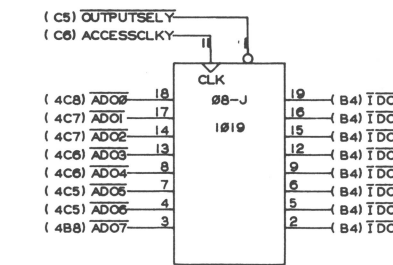
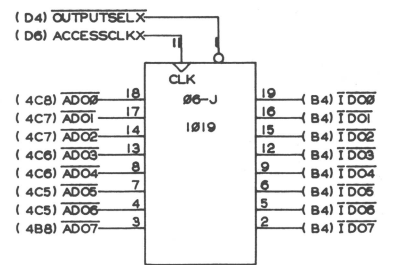
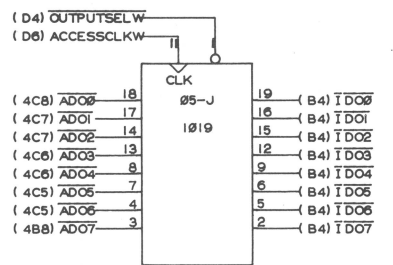
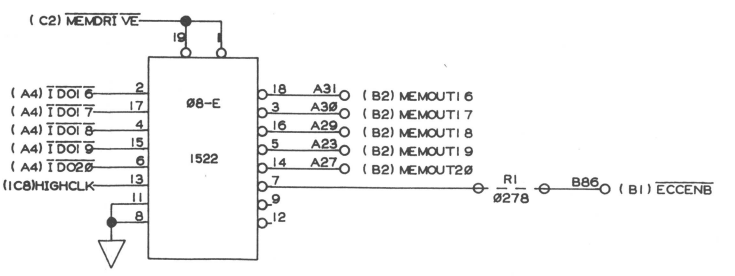
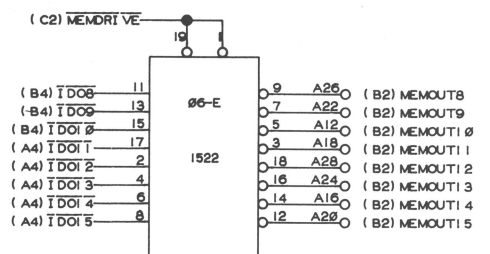
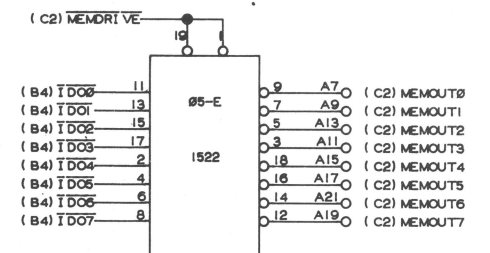
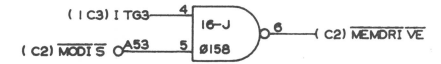
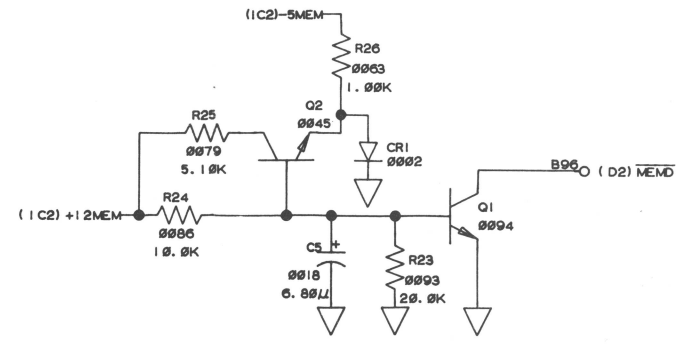
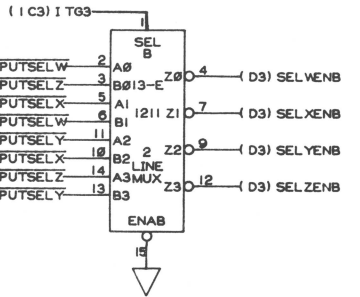
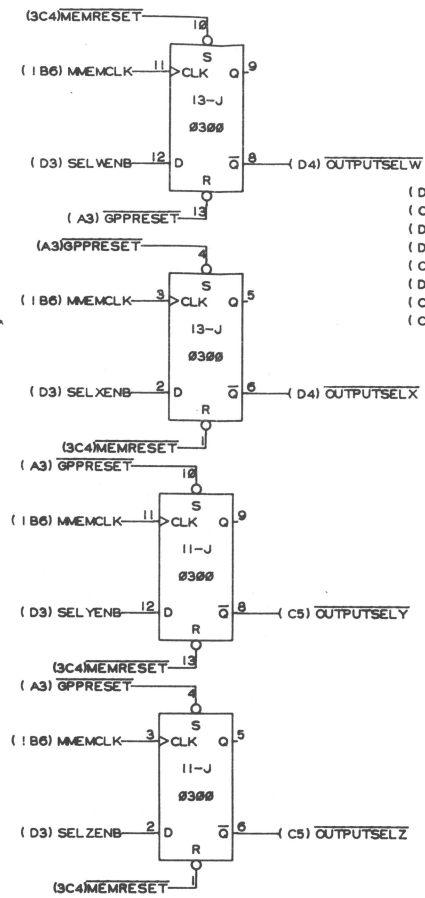
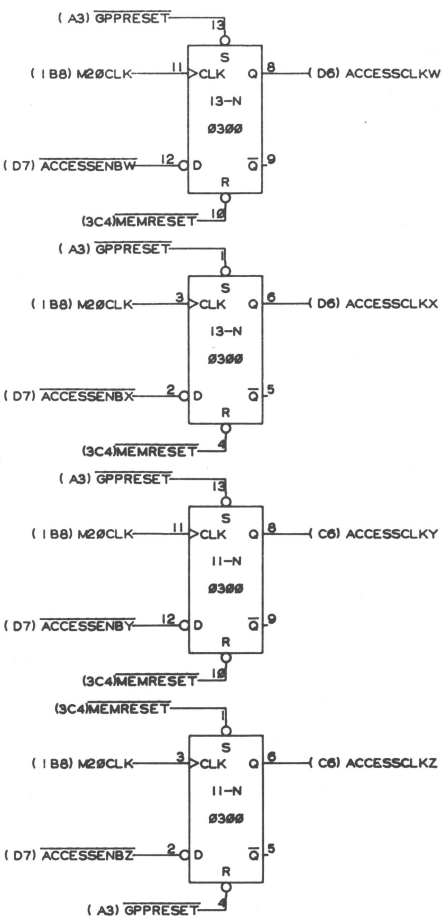
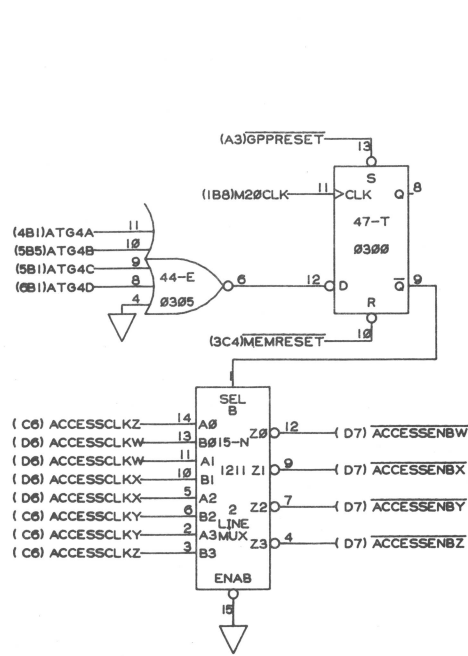
- SPARE GATES
- 0779 16-N (2)
 - 0159 22-E (1)
 - 0150 24-E (1)
 - 0159 30-T (1)
 - 0300 47-T (1)

| ASSEMBLY | TESTED-005012128 UNTESTED-005012129 (16K X 16 BIT) | TESTED-005012130 UNTESTED-005012131 (6K ECC) | TESTED-005012132 UNTESTED-005012133 (32K X 16 BIT) | TESTED-005012134 UNTESTED-005012135 (32K ECC) | TESTED-005012136 UNTESTED-005012137 (64K X 16 BIT) | TESTED-005012138 UNTESTED-005012139 (64K ECC) | TESTED-005012140 UNTESTED-005012141 (128K X 16 BIT) | TESTED-005012142 UNTESTED-005012143 (128K ECC) |
|--|--|--|--|---|--|---|---|--|
| INSTALL THESE DUMMY RESISTORS ONLY | R10, R12, R43 | R1, R10, R12, R43 | R10, R12, R18, R43 | R1, R10, R12, R18, R43 | R9, R11, R41 | R1, R9, R11, R15, R41 | R9, R11, R15, R16, R41 | R1, R9, R11, R15, R16, R41 |
| DO NOT INSTALL | R28, 8-E, 2-J, 3-J, 10-J, 2-O, 3-O, 5-T, 7-T | | R28, 8-E, 2-J, 3-J, 10-J, 2-O, 3-O, 5-T, 7-T | | R28, 8-E, 2-J, 3-J, 10-J, 2-O, 3-O, 5-T, 7-T | | R28, 8-E, 2-J, 3-J, 10-J, 2-O, 3-O, 5-T, 7-T | |
| DO NOT INSTALL ALL COMPONENTS ON PAGES | 9,11,13,15 | 9,11,13,15 | | | 9,11,13,15 | 9,11,13,15 | | |
| DO NOT INSTALL THE COMPONENTS ENCLOSED IN SOLID LINES ON PAGES | 8,10,12,14 | | 8,9,10,11,12,13,14,15 | | 8,10,12,14 | | 8,9,10,11,12,13,14,15 | |
| ALL RAMS HAVE PART NO. | 100-1250 | 100-1250 | 100-1250 | 100-1250 | 100-1100 | 100-1100 | 100-1100 | 100-1100 |

| | | |
|----------------------|----------------------------------|--|
| ARTWORK: 107 -813 | DRAWN DIGITIZING 12-18-78 | DATA GENERAL CORPORATION SOUTHBORO, MASSACHUSETTS 01772 |
| ARTWORK VS SCHEMATIC | CHECKED B. GLATTHORN 12-18-78 | |
| REV SCHEMATIC REV(S) | ENGINEER FD 1-12-79 | TITLE DGC BBU MEMORY |
| 02 00.01 | APPROVED | SIZE CODE D |
| | FIRST USED ON | DRAWING NUMBER 001001229 |
| | SEE CHART | REV 01 |

THIS DRAWING AND SPECIFICATIONS, HEREIN, ARE THE PROPERTY OF DATA GENERAL CORPORATION AND SHALL NOT BE REPRODUCED OR COPIED OR USED IN WHOLE OR IN PART AS THE BASIS FOR MANUFACTURE OR SALE OF ITEMS WITHOUT WRITTEN PERMISSION.

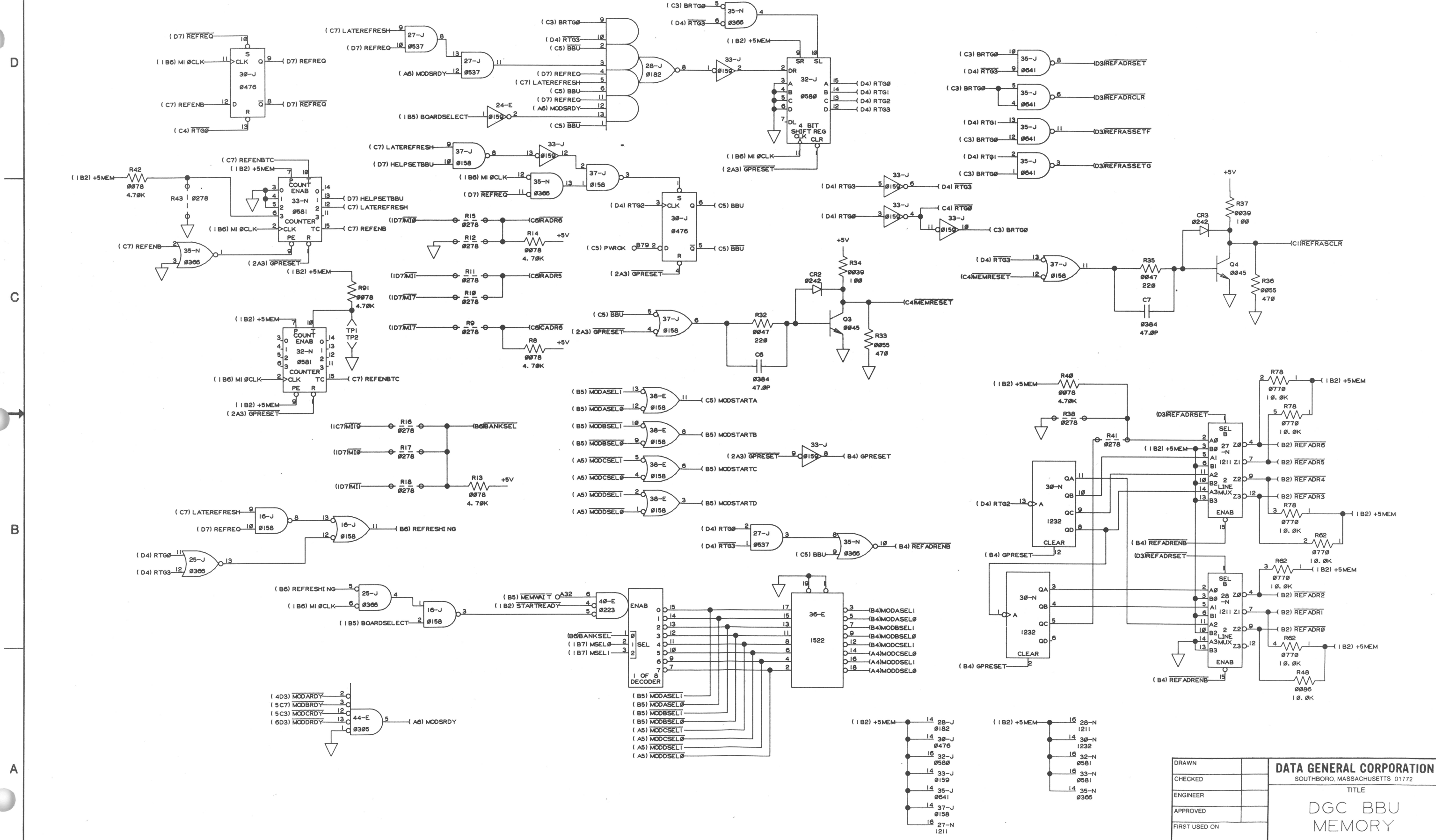
| REVISIONS | | | |
|-----------|-------------|-------|-------------|
| REV | DESCRIPTION | DRFTG | APP BY DATE |
| | | | |



| | | | |
|---------------|--|--------------------------------|--------------|
| DRAWN | | DATA GENERAL CORPORATION | |
| CHECKED | | SOUTHBORO, MASSACHUSETTS 01772 | |
| ENGINEER | | TITLE | |
| APPROVED | | DGC BBU MEMORY | |
| FIRST USED ON | | SIZE | CODE |
| | | D | 001001229 01 |

THIS DRAWING AND SPECIFICATIONS, HEREIN, ARE THE PROPERTY OF DATA GENERAL CORPORATION AND SHALL NOT BE REPRODUCED OR COPIED OR USED IN WHOLE OR IN PART AS THE BASIS FOR MANUFACTURE OR SALE OF ITEMS WITHOUT WRITTEN PERMISSION.

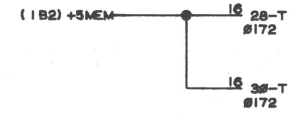
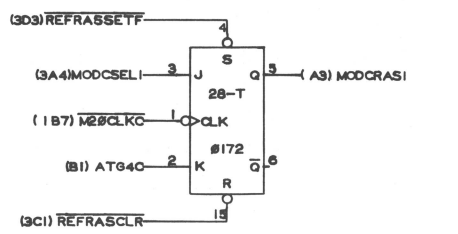
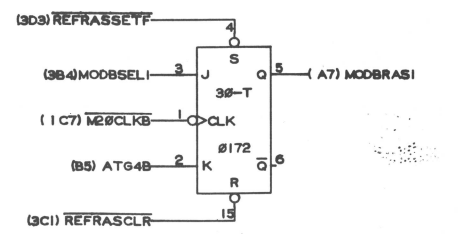
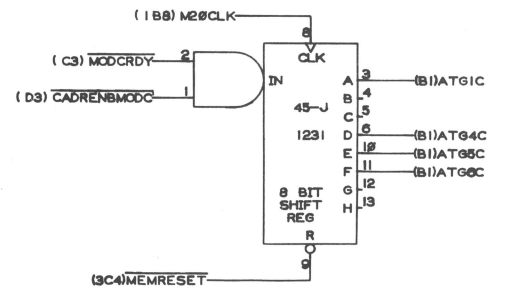
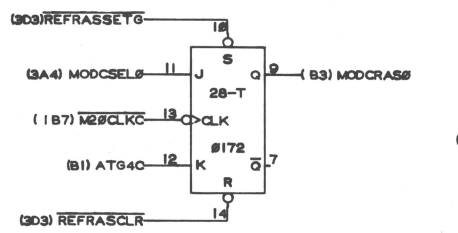
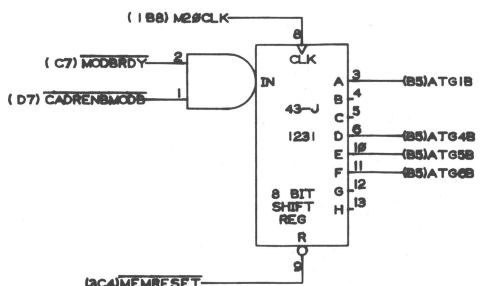
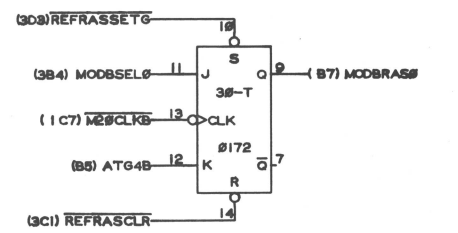
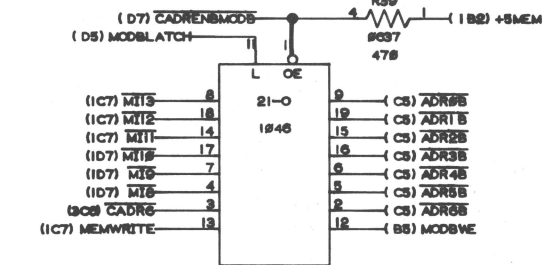
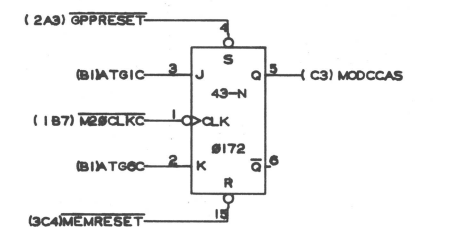
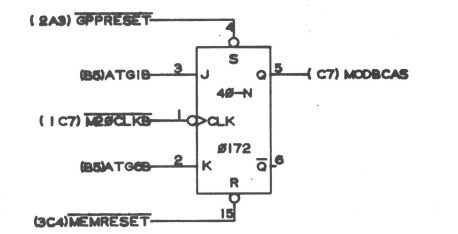
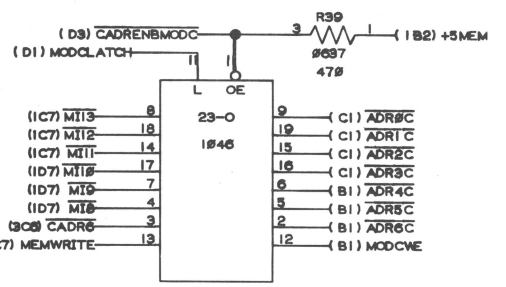
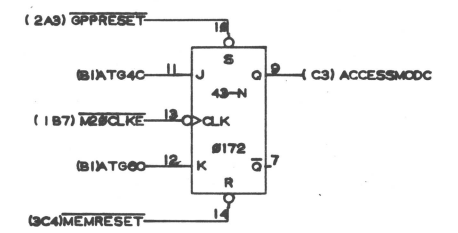
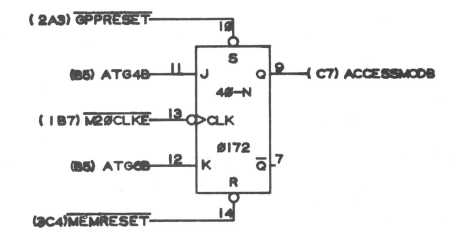
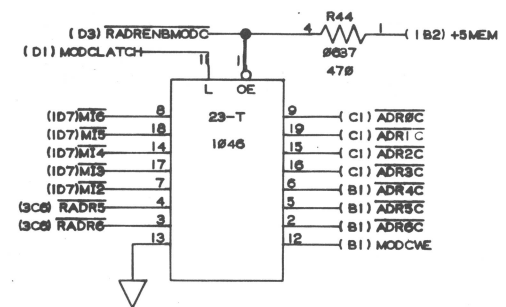
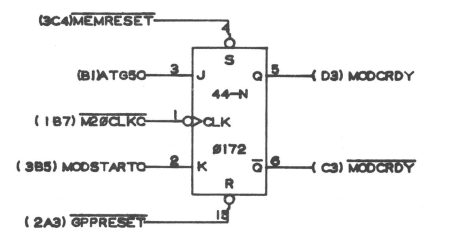
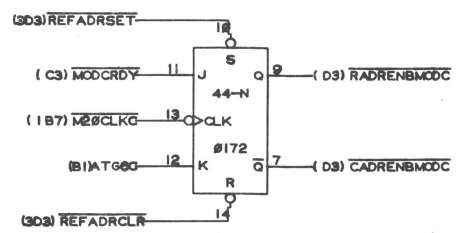
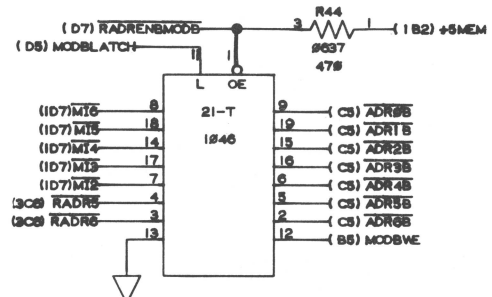
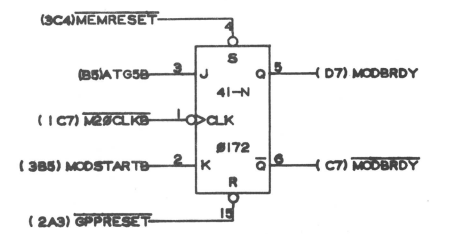
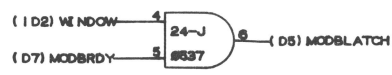
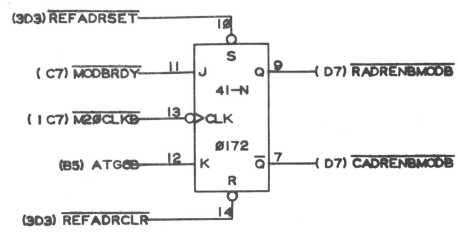
| REVISIONS | | | | |
|-----------|-------------|-------|--------|------|
| REV | DESCRIPTION | DRFTG | APP BY | DATE |
| | | | | |



| | | |
|---------------|------|---|
| DRAWN | | DATA GENERAL CORPORATION SOUTHBORO, MASSACHUSETTS 01772 TITLE DGC BBU MEMORY |
| CHECKED | | |
| ENGINEER | | |
| APPROVED | | |
| FIRST USED ON | | |
| SIZE | CODE | DRAWING NUMBER |
| D | | 001001229 01 |

THIS DRAWING AND SPECIFICATIONS, HEREIN, ARE THE PROPERTY OF DATA GENERAL CORPORATION AND SHALL NOT BE REPRODUCED OR COPIED OR USED IN WHOLE OR IN PART AS THE BASIS FOR MANUFACTURE OR SALE OF ITEMS WITHOUT WRITTEN PERMISSION.

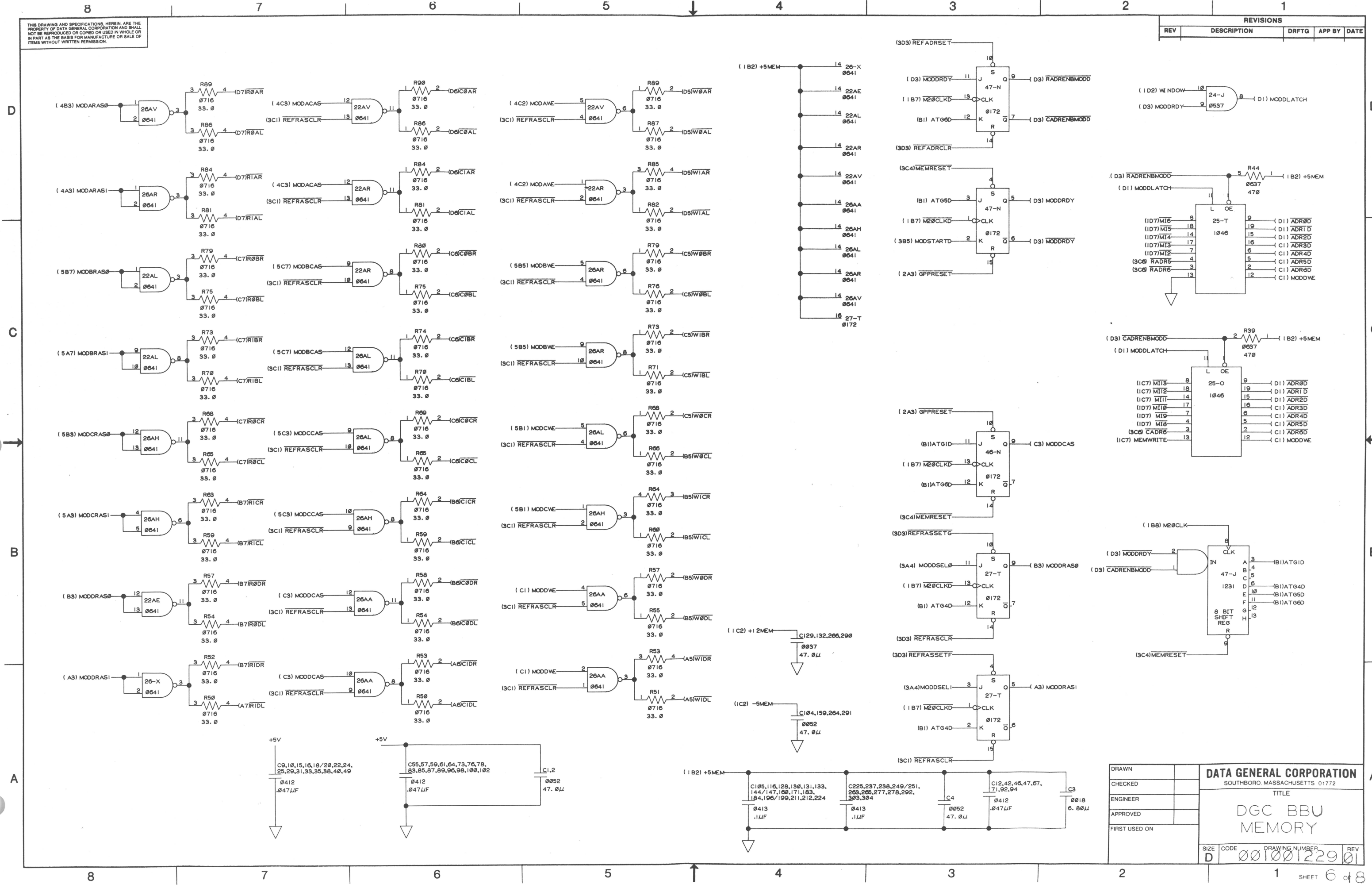
| REVISIONS | | | |
|-----------|-------------|-------|-------------|
| REV | DESCRIPTION | DRFTG | APP BY DATE |
| | | | |



| | | |
|---------------|------|---|
| DRAWN | | DATA GENERAL CORPORATION SOUTHBORO, MASSACHUSETTS 01772 TITLE DGC BBU MEMORY |
| CHECKED | | |
| ENGINEER | | |
| APPROVED | | |
| FIRST USED ON | | |
| SIZE | CODE | DRAWING NUMBER |
| D | | 001001229 01 |

THIS DRAWING AND SPECIFICATIONS, HEREIN, ARE THE PROPERTY OF DATA GENERAL CORPORATION AND SHALL NOT BE REPRODUCED OR COPIED OR USED IN WHOLE OR IN PART AS THE BASIS FOR MANUFACTURE OR SALE OF ITEMS WITHOUT WRITTEN PERMISSION.

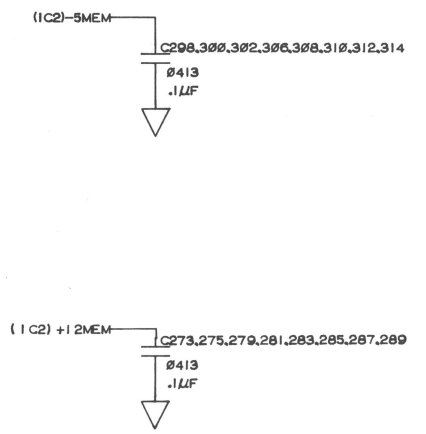
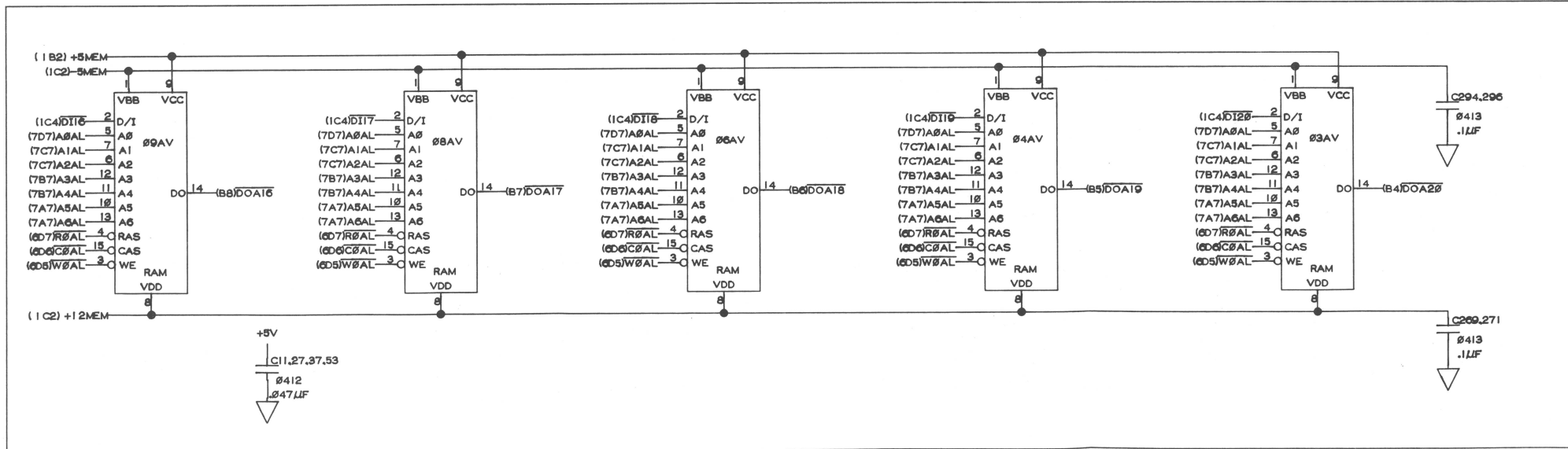
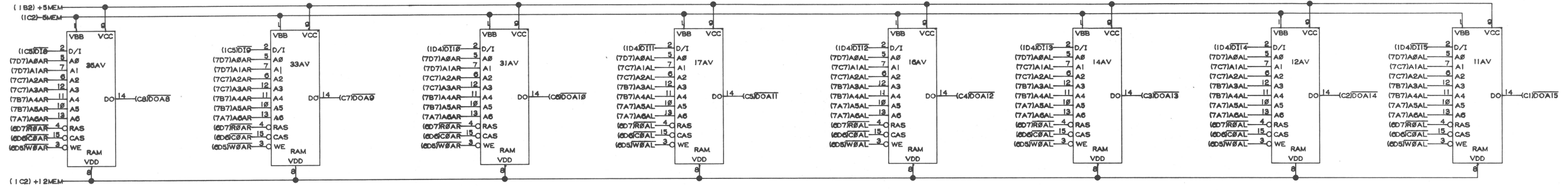
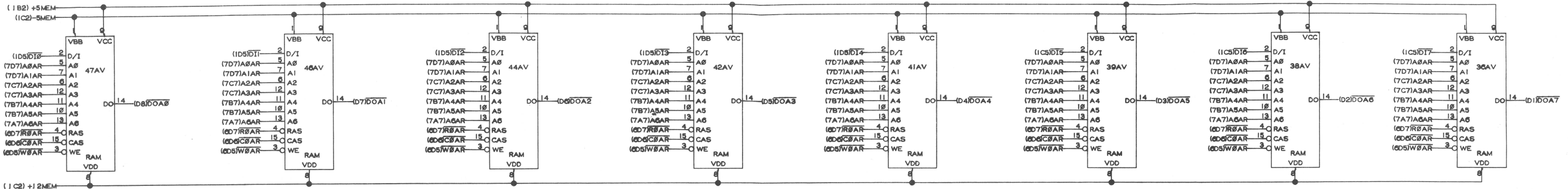
| REVISIONS | | | |
|-----------|-------------|-------|-------------|
| REV | DESCRIPTION | DRFTG | APP BY DATE |
| | | | |



| | | |
|---------------|--|--|
| DRAWN | | DATA GENERAL CORPORATION SOUTHBORO, MASSACHUSETTS 01772 TITLE DGC BBU MEMORY SIZE CODE DRAWING NUMBER REV D 001001229 01 |
| CHECKED | | |
| ENGINEER | | |
| APPROVED | | |
| FIRST USED ON | | |

THIS DRAWING AND SPECIFICATIONS, HEREIN, ARE THE PROPERTY OF DATA GENERAL CORPORATION AND SHALL NOT BE REPRODUCED OR COPIED OR USED IN WHOLE OR IN PART AS THE BASIS FOR MANUFACTURE OR SALE OF ITEMS WITHOUT WRITTEN PERMISSION.

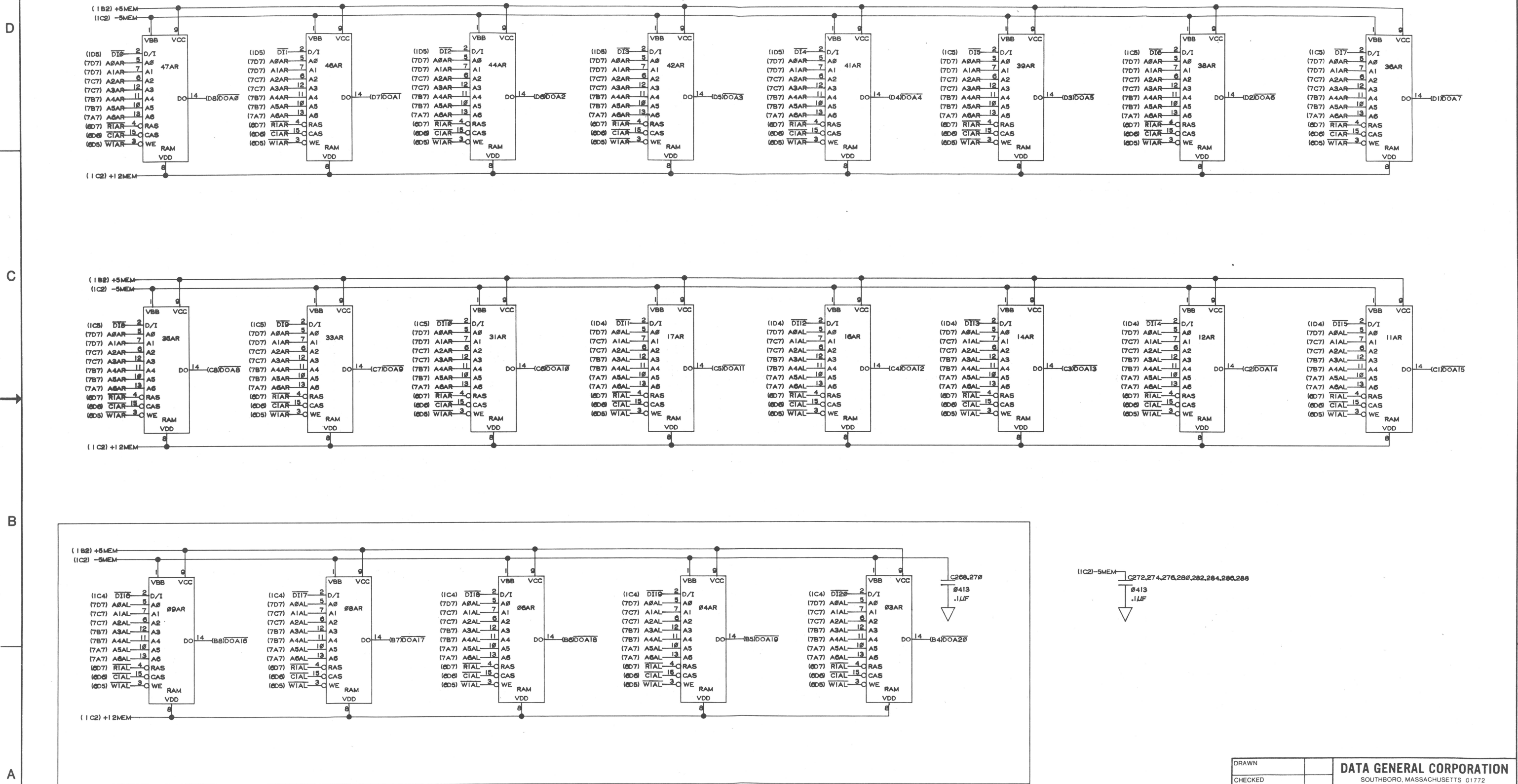
| REVISIONS | | | | |
|-----------|-------------|-------|--------|------|
| REV | DESCRIPTION | DRFTG | APP BY | DATE |
| | | | | |



| | | | |
|---------------|------|---|-----|
| DRAWN | | DATA GENERAL CORPORATION SOUTHBORO, MASSACHUSETTS 01772 TITLE DGC BBU MEMORY | |
| CHECKED | | | |
| ENGINEER | | | |
| APPROVED | | | |
| FIRST USED ON | | | |
| SIZE | CODE | DRAWING NUMBER | REV |
| D | | 001001229 | 01 |

THIS DRAWING AND SPECIFICATIONS, HEREIN, ARE THE PROPERTY OF DATA GENERAL CORPORATION AND SHALL NOT BE REPRODUCED OR COPIED OR USED IN WHOLE OR IN PART AS THE BASIS FOR MANUFACTURE OR SALE OF ITEMS WITHOUT WRITTEN PERMISSION.

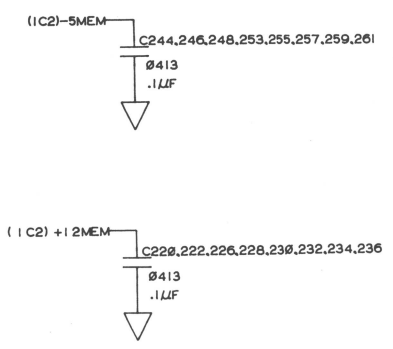
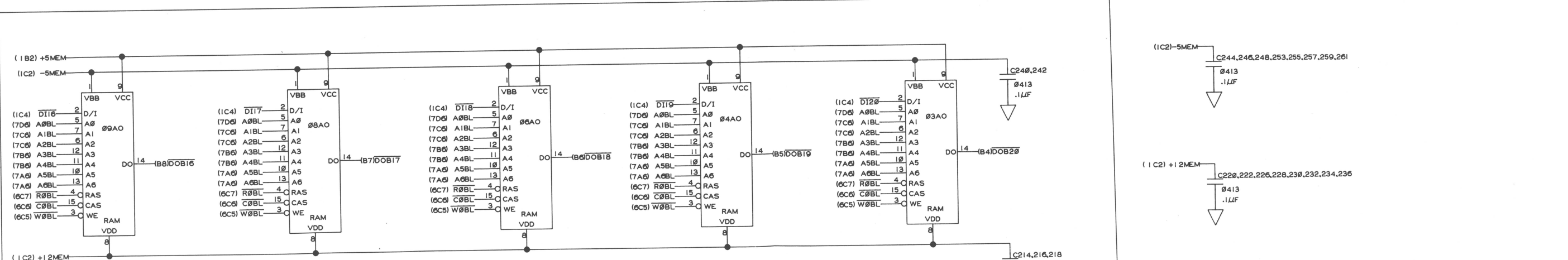
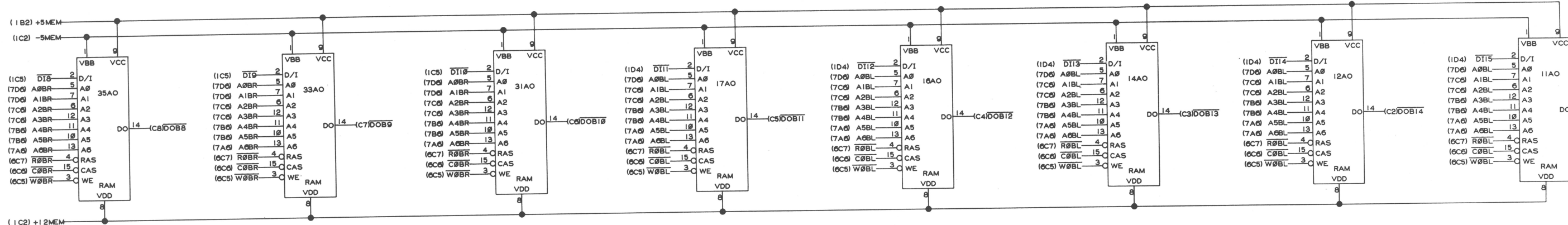
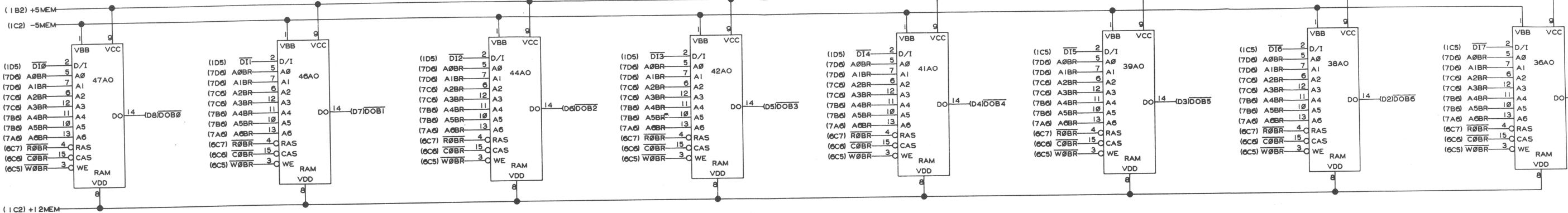
| REVISIONS | | | | |
|-----------|-------------|-------|--------|------|
| REV | DESCRIPTION | DRFTG | APP BY | DATE |
| | | | | |



| | | |
|---------------|---|---|
| DRAWN | | DATA GENERAL CORPORATION SOUTHBORO, MASSACHUSETTS 01772 TITLE DGC BBU MEMORY |
| CHECKED | | |
| ENGINEER | | |
| APPROVED | | |
| FIRST USED ON | | |
| SIZE | D | CODE 00100122901 DRAWING NUMBER REV |

3 DRAWINGS AND SPECIFICATIONS. HEREIN ARE THE
PROPERTY OF DATA GENERAL CORPORATION AND SHALL
NOT BE REPRODUCED OR COPIED OR USED IN WHOLE OR
IN PART AS THE BASIS FOR MANUFACTURE OR SALE OF
ITEMS WITHOUT WRITTEN PERMISSION.

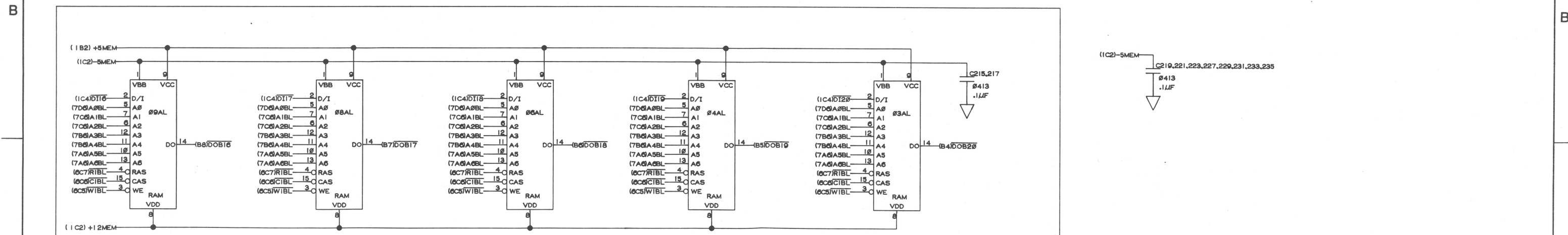
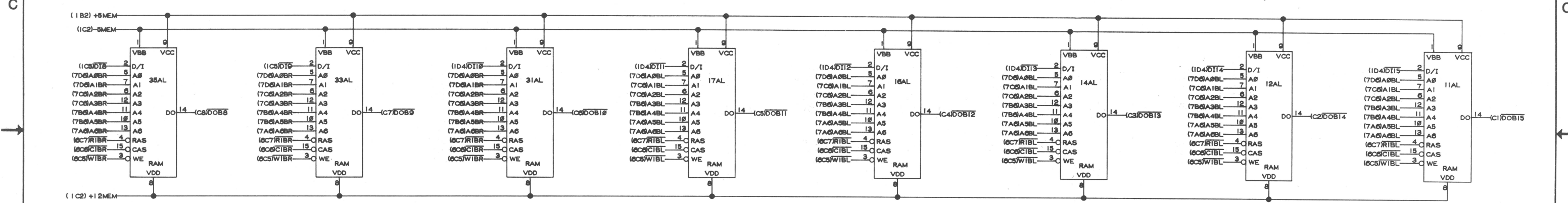
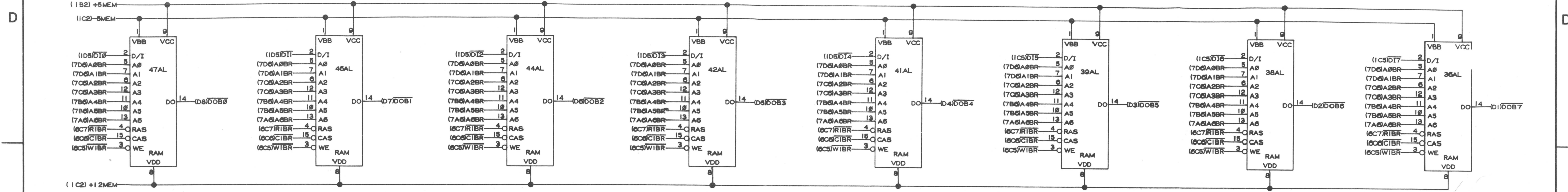
| REVISIONS | | | | |
|-----------|-------------|-------|--------|------|
| REV | DESCRIPTION | DRFTG | APP BY | DATE |
| | | | | |



| | | | |
|---------------|------|--|-----|
| DRAWN | | DATA GENERAL CORPORATION SOUTHBORO, MASSACHUSETTS 01772 TITLE DGC BBU MEMORY | |
| CHECKED | | | |
| ENGINEER | | | |
| APPROVED | | | |
| FIRST USED ON | | | |
| SIZE | CODE | DRAWING NUMBER | REV |
| D | | 001001229 | 01 |

THIS DRAWING AND SPECIFICATIONS HEREIN ARE THE PROPERTY OF DATA GENERAL CORPORATION AND SHALL NOT BE REPRODUCED OR COPIED OR USED IN WHOLE OR IN PART AS THE BASIS FOR MANUFACTURE OR SALE OF ITEMS WITHOUT WRITTEN PERMISSION.

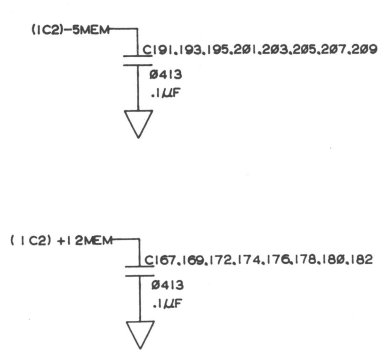
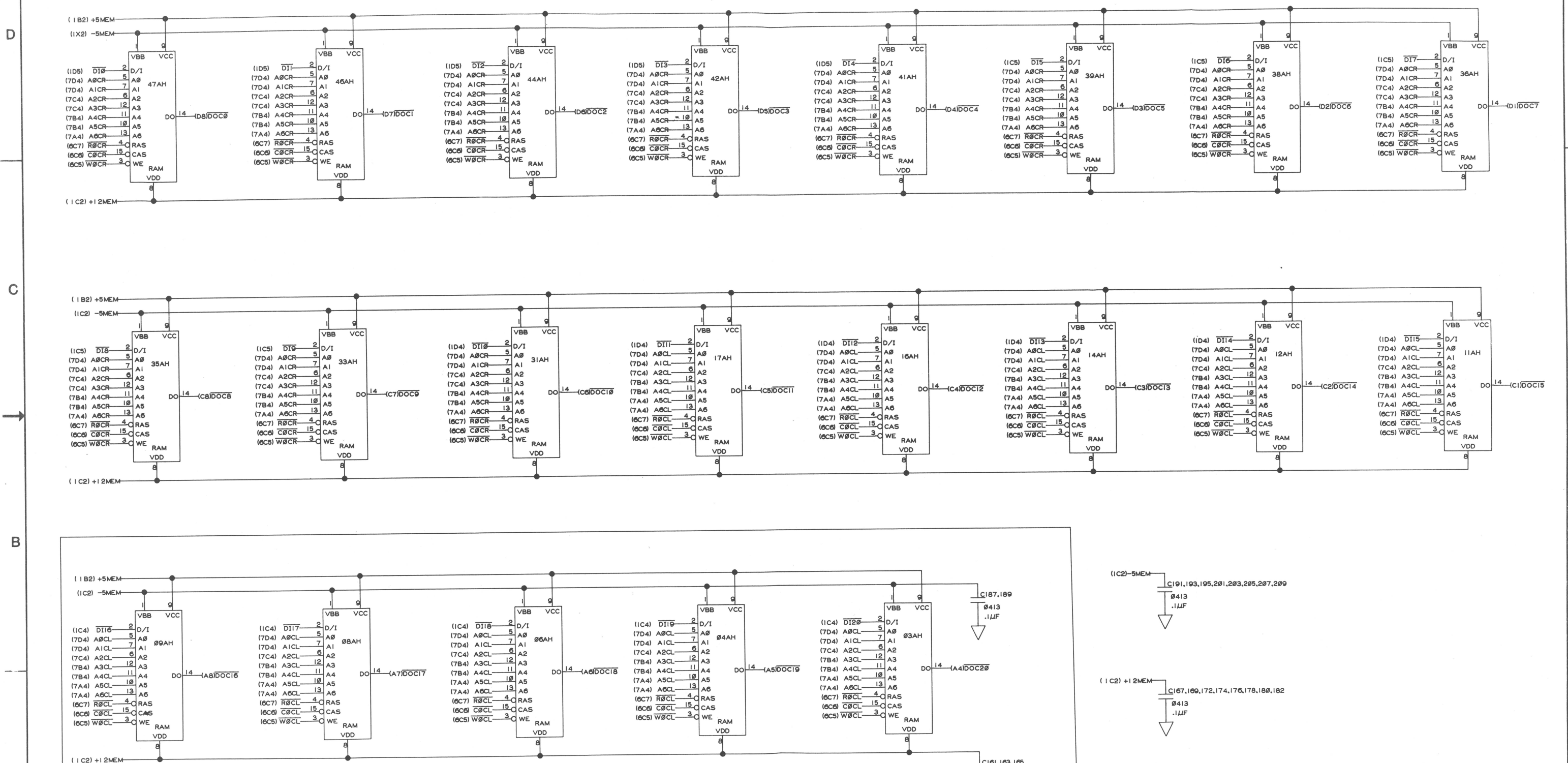
| REVISIONS | | | | |
|-----------|-------------|-------|--------|------|
| REV | DESCRIPTION | DRFTG | APP BY | DATE |
| | | | | |



| | | |
|---------------|--|---|
| DRAWN | | DATA GENERAL CORPORATION SOUTHBORO, MASSACHUSETTS 01772 TITLE DGC BBU MEMORY |
| CHECKED | | |
| ENGINEER | | |
| APPROVED | | |
| FIRST USED ON | | SIZE CODE DRAWING NUMBER REV D 001001229 01 |

THIS DRAWING AND SPECIFICATIONS, HEREIN, ARE THE PROPERTY OF DATA GENERAL CORPORATION AND SHALL NOT BE REPRODUCED OR COPIED OR USED IN WHOLE OR IN PART AS THE BASIS FOR MANUFACTURE OR SALE OF ITEMS WITHOUT WRITTEN PERMISSION.

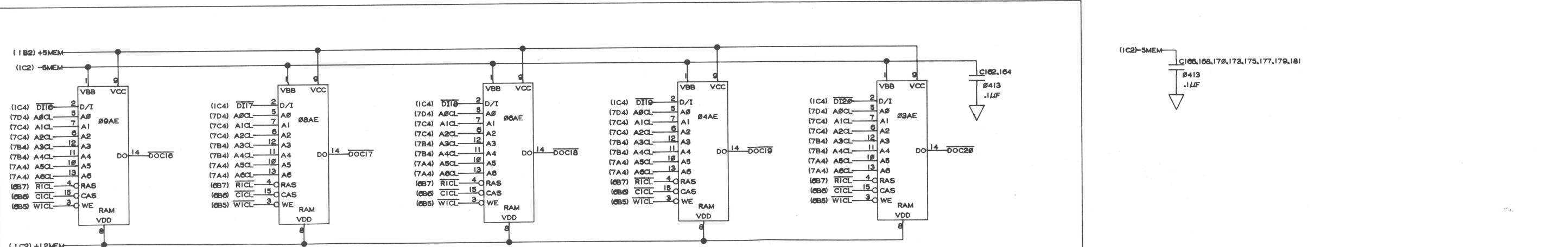
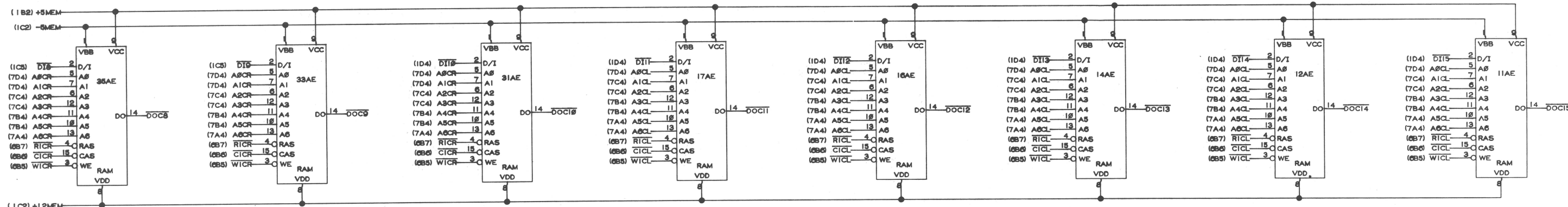
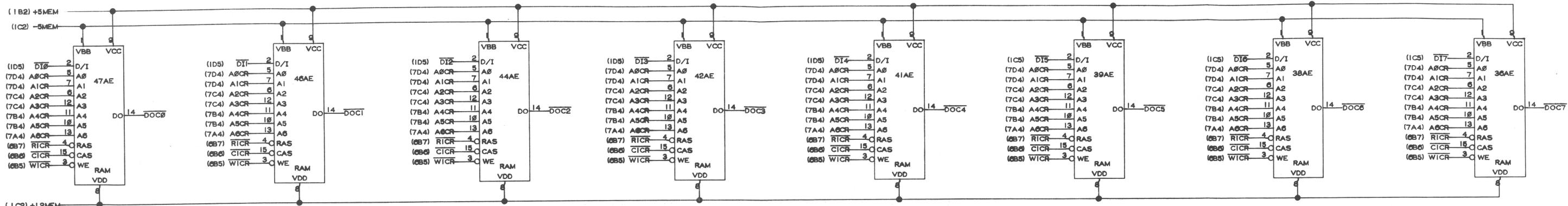
| REVISIONS | | | | |
|-----------|-------------|-------|--------|------|
| REV | DESCRIPTION | DRFTG | APP BY | DATE |
| | | | | |



| | | | |
|---------------|------|--|-----|
| DRAWN | | DATA GENERAL CORPORATION SOUTHBORO, MASSACHUSETTS 01772 TITLE DGC BBU MEMORY | |
| CHECKED | | | |
| ENGINEER | | | |
| APPROVED | | | |
| FIRST USED ON | | | |
| SIZE | CODE | DRAWING NUMBER | REV |
| D | | 001001229 | 01 |

THIS DRAWING AND SPECIFICATIONS HEREIN ARE THE PROPERTY OF DATA GENERAL CORPORATION AND SHALL NOT BE REPRODUCED OR COPIED OR USED IN WHOLE OR IN PART AS THE BASIS FOR MANUFACTURE OR SALE OF ITEMS WITHOUT WRITTEN PERMISSION.

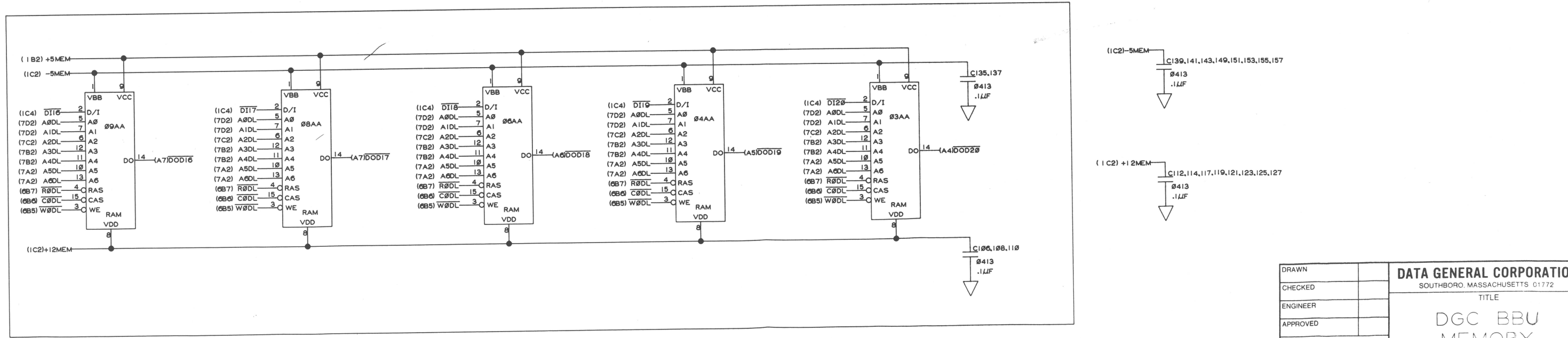
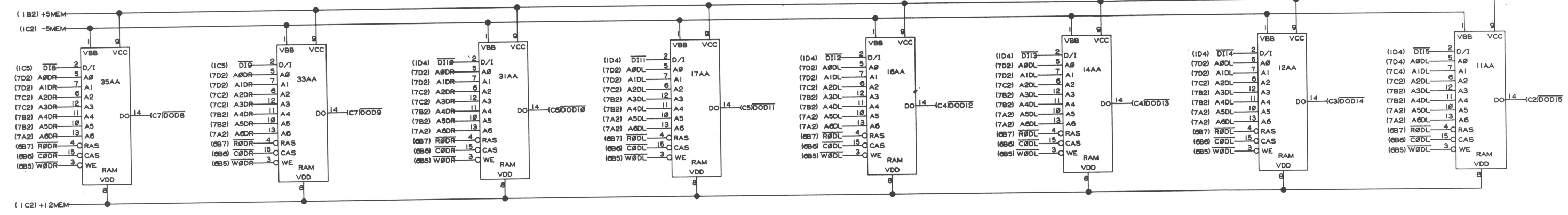
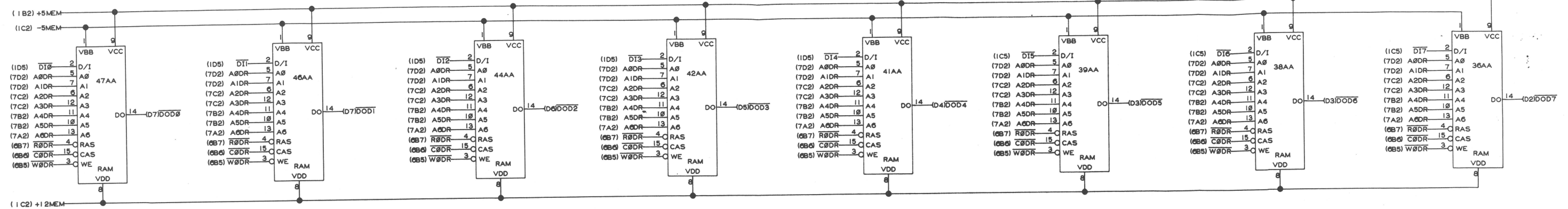
| REVISIONS | | | | |
|-----------|-------------|-------|--------|------|
| REV | DESCRIPTION | DRFTG | APP BY | DATE |
| | | | | |



| | | | |
|---------------|------|---|-----|
| DRAWN | | DATA GENERAL CORPORATION SOUTHBORO, MASSACHUSETTS 01772 TITLE DGC BBU MEMORY | |
| CHECKED | | | |
| ENGINEER | | | |
| APPROVED | | | |
| FIRST USED ON | | | |
| SIZE | CODE | DRAWING NUMBER | REV |
| D | | 001001229 | 01 |

| REVISIONS | | | | |
|-----------|-------------|-------|--------|------|
| REV | DESCRIPTION | DRFTG | APP BY | DATE |
| | | | | |

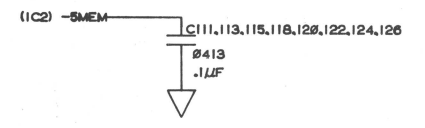
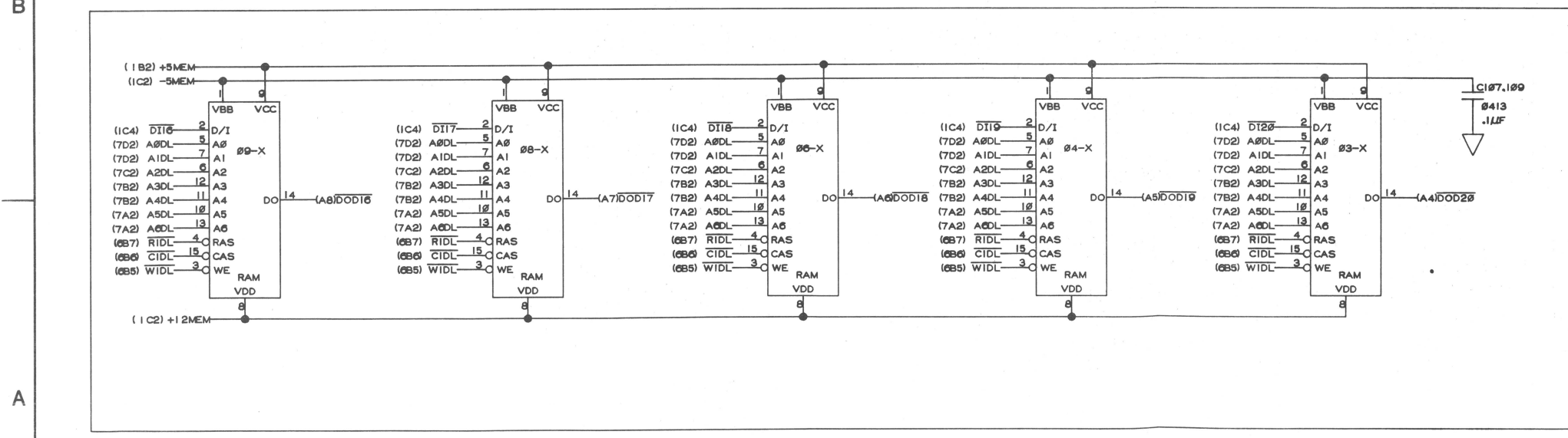
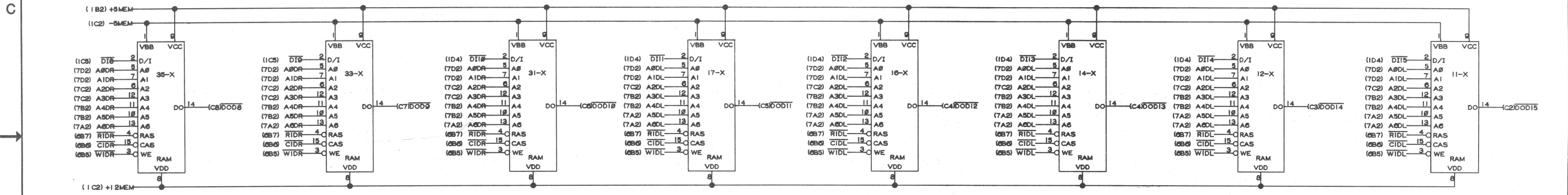
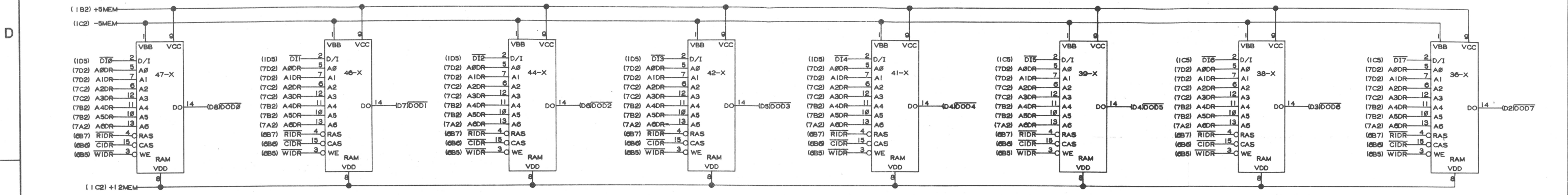
THIS DRAWING AND SPECIFICATIONS, HEREIN, ARE THE PROPERTY OF DATA GENERAL CORPORATION AND SHALL NOT BE REPRODUCED OR COPIED OR USED IN WHOLE OR IN PART AS THE BASIS FOR MANUFACTURE OR SALE OF ITEMS WITHOUT WRITTEN PERMISSION.



| | | |
|---------------|------|---|
| DRAWN | | DATA GENERAL CORPORATION SOUTHBORO, MASSACHUSETTS 01772 TITLE DGC BBU MEMORY |
| CHECKED | | |
| ENGINEER | | |
| APPROVED | | |
| FIRST USED ON | | |
| SIZE | CODE | DRAWING NUMBER |
| D | | 00100122901 |

THIS DRAWING AND SPECIFICATIONS, HEREIN, ARE THE PROPERTY OF DATA GENERAL CORPORATION AND SHALL NOT BE REPRODUCED OR COPIED OR USED IN WHOLE OR IN PART AS THE BASIS FOR MANUFACTURE OR SALE OF ITEMS WITHOUT WRITTEN PERMISSION.

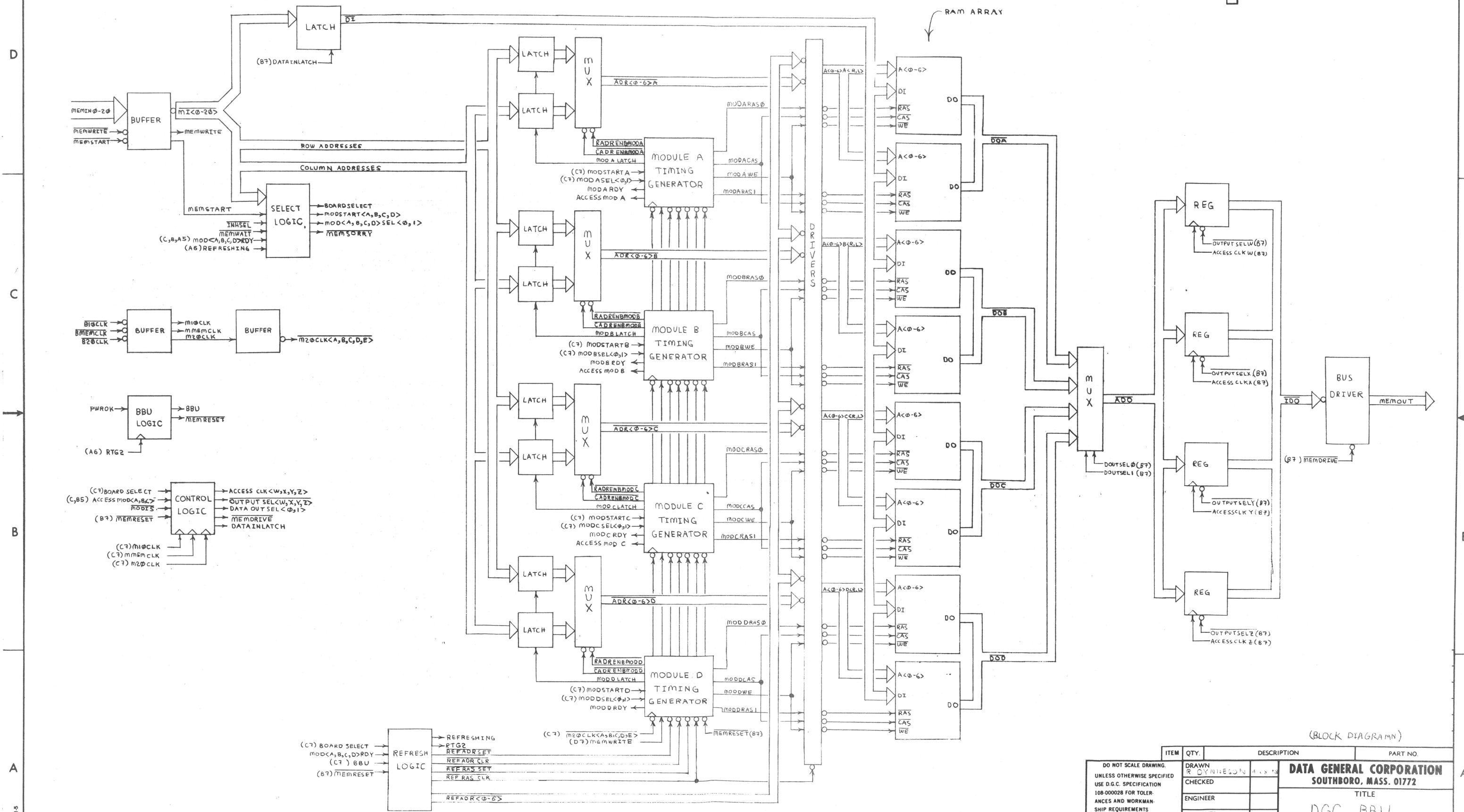
| REVISIONS | | | | |
|-----------|-------------|-------|--------|------|
| REV | DESCRIPTION | DRFTG | APP BY | DATE |
| | | | | |



| | | |
|---------------|---|---|
| DRAWN | | DATA GENERAL CORPORATION SOUTHBORO, MASSACHUSETTS 01772 TITLE DGC BBU MEMORY |
| CHECKED | | |
| ENGINEER | | |
| APPROVED | | |
| FIRST USED ON | | |
| SIZE | D | CODE 00100122901 |
| | | DRAWING NUMBER 00100122901 |
| | | REV 01 |

THIS DRAWING AND SPECIFICATIONS, HEREIN, ARE THE PROPERTY OF DATA GENERAL CORPORATION AND SHALL NOT BE REPRODUCED OR COPIED OR USED IN WHOLE OR IN PART AS THE BASIS FOR MANUFACTURE OR SALE OF ITEMS WITHOUT WRITTEN PERMISSION.

| REVISIONS | | | |
|-----------|-------------|--------|--------------|
| REV. | DESCRIPTION | DRFTG. | APP. BY DATE |
| REV. ECO. | | | |



(BLOCK DIAGRAM)

| ITEM | QTY. | DESCRIPTION | PART NO. |
|--|------|---|----------|
| DO NOT SCALE DRAWING. UNLESS OTHERWISE SPECIFIED USE D.G.C. SPECIFICATION 108-00028 FOR TOLERANCES AND WORKMANSHIP REQUIREMENTS. | | | |
| DRAWN BY DYNESON, A.S. | | DATA GENERAL CORPORATION SOUTHBORO, MASS. 01772 | |
| CHECKED | | TITLE | |
| ENGINEER | | DGC BBU MEMORY | |
| APPROVED | | FIRST USED ON | |
| SCALE | | CODE IDENT. | SIZE |
| | | 34984 | D |
| DRAWING NUMBER | | REV | |
| 001001229 | | 01 | |

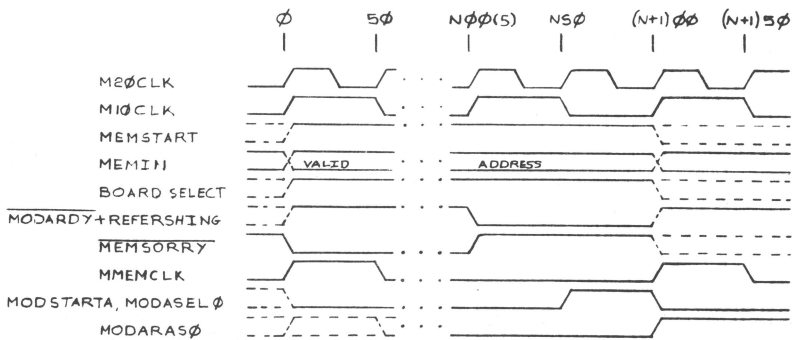
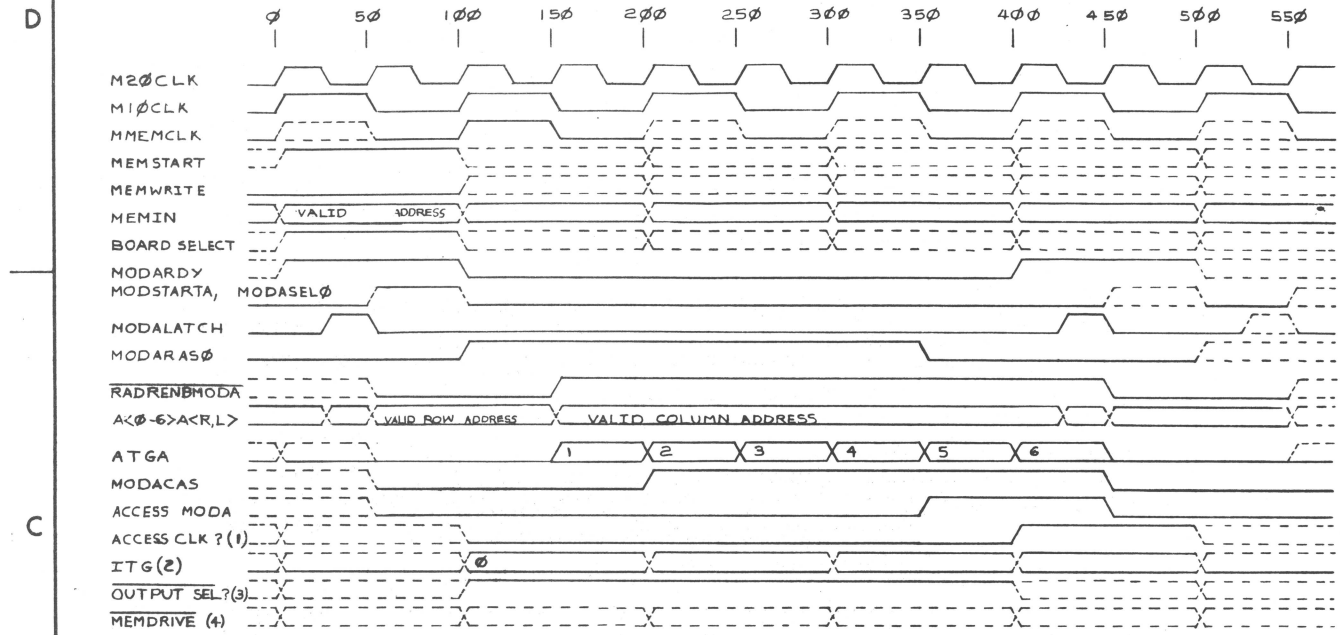
DRAWING 40526 20411-5

THIS DRAWING AND SPECIFICATIONS, HEREIN, ARE THE PROPERTY OF DATA GENERAL CORPORATION AND SHALL NOT BE REPRODUCED OR COPIED OR USED IN WHOLE OR IN PART AS THE BASIS FOR MANUFACTURE OR SALE OF ITEMS WITHOUT WRITTEN PERMISSION.

| REVISIONS | | | | |
|-----------|-------------|--------|---------|------|
| REV. | DESCRIPTION | DRFTG. | APP. BY | DATE |
| | | | | |

READ FROM MODULE A

READ FROM OR WRITE TO MODULE A DEFERRED

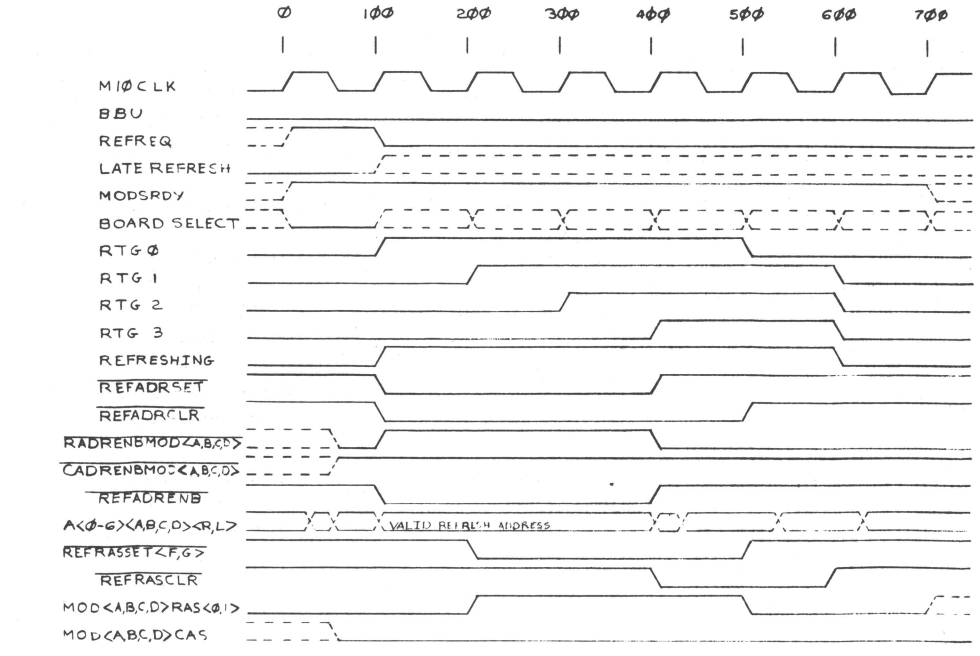
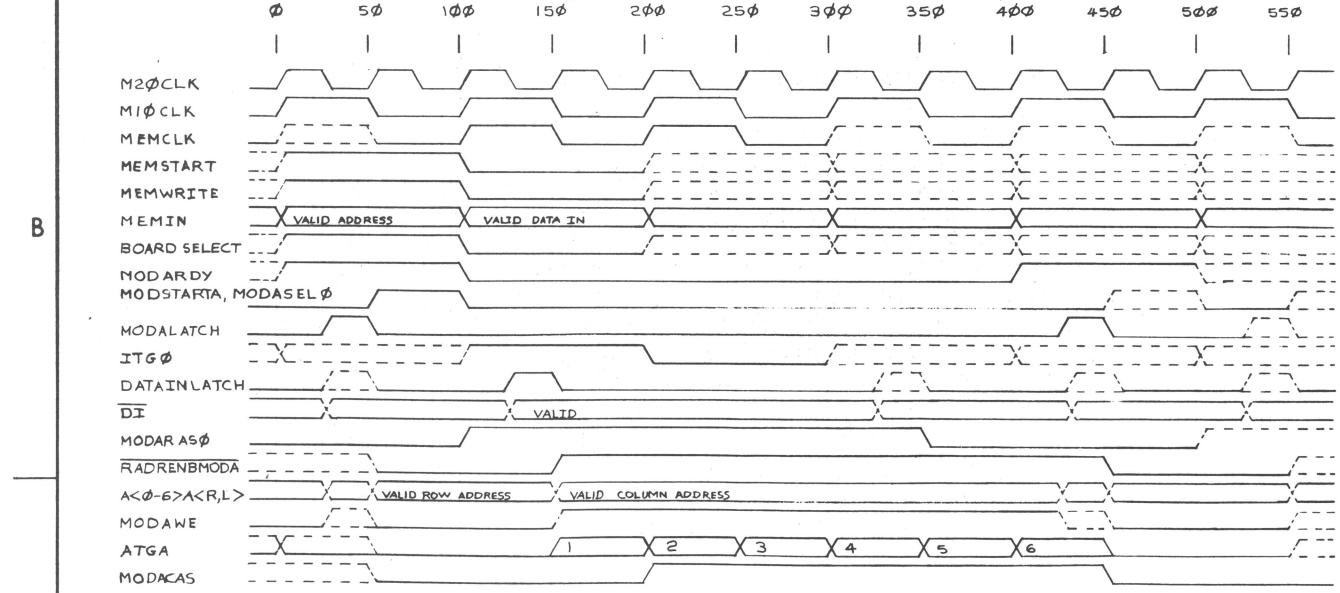


NOTE:
(5) N IS THE NO. OF 100 NS CYCLES THAT START IS DEFERRED.

- NOTES:
 (1) ? MAY BE W, X, Y, OR Z.
 (2) THE ITG REGISTER IS CLOCKED BY MMEMCLK.
 (3) ? IS THE SAME (W, X, Y OR Z) AS IN (1). OUTPUT SEL ? OCCURS DURING ITG3.
 (4) THE MEMDRIVE OF INTEREST OCCURS DURING ITG3 WHEN MODIS IS NOT ASSERTED.

WRITE TO MODULE A

NORMAL REFRESH



(TIMING)

| ITEM | QTY. | DESCRIPTION | PART NO. |
|------|------|-------------|----------|
| | | | |

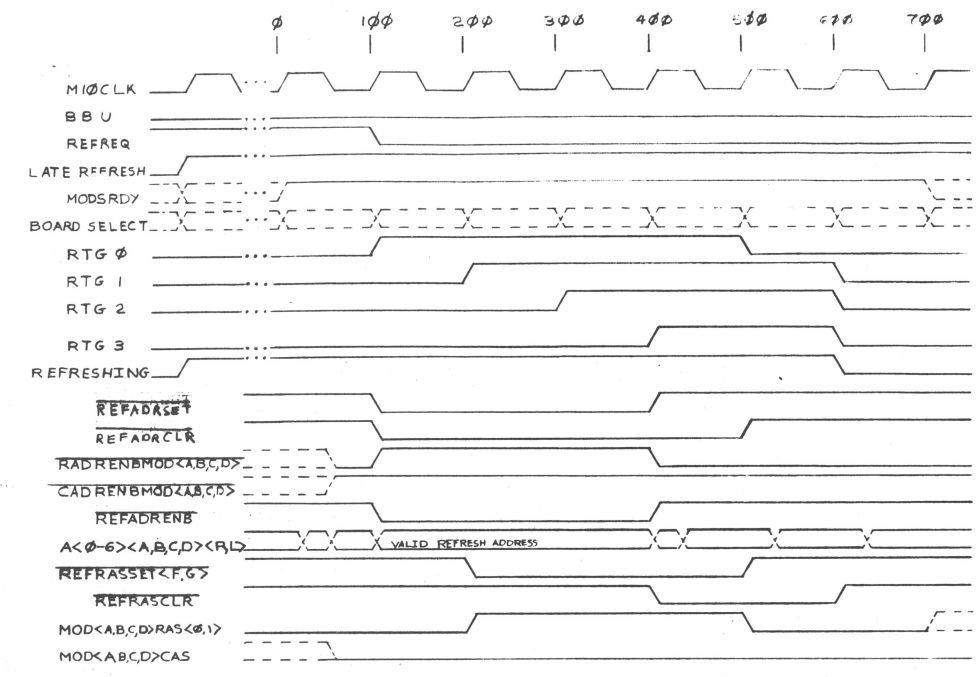
| | | |
|---|---|---|
| DO NOT SCALE DRAWING. UNLESS OTHERWISE SPECIFIED USE D.G.C. SPECIFICATION 108-000028 FOR TOLER- ANCES AND WORKMAN- SHIP REQUIREMENTS | DRAWN CHECKED ENGINEER APPROVED FIRST USED ON | DATA GENERAL CORPORATION SOUTHBORO, MASS. 01772 TITLE DGC BBU MEMORY |
| MATERIAL | SCALE | CODE IDENT. SIZE CODE DRAWING NUMBER REV |
| FINISH | 34984 D 001 | 001229 01 |

DRAWING 00-526-20411-5

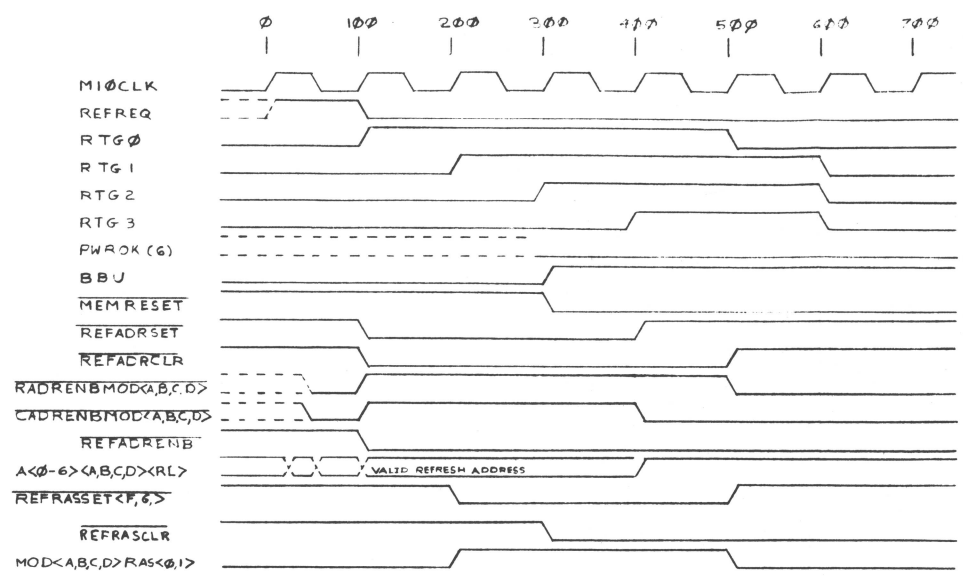
THIS DRAWING AND SPECIFICATIONS HEREIN ARE THE PROPERTY OF DATA GENERAL CORPORATION AND SHALL NOT BE REPRODUCED OR COPIED OR USED IN WHOLE OR IN PART AS THE BASIS FOR MANUFACTURE OR SALE OF ITEMS WITHOUT WRITTEN PERMISSION.

| REVISIONS | | | |
|-----------|-------------|--------|---------|
| REV. | DESCRIPTION | DRFTG. | APP. BY |
| | | | |

LATE REFRESH

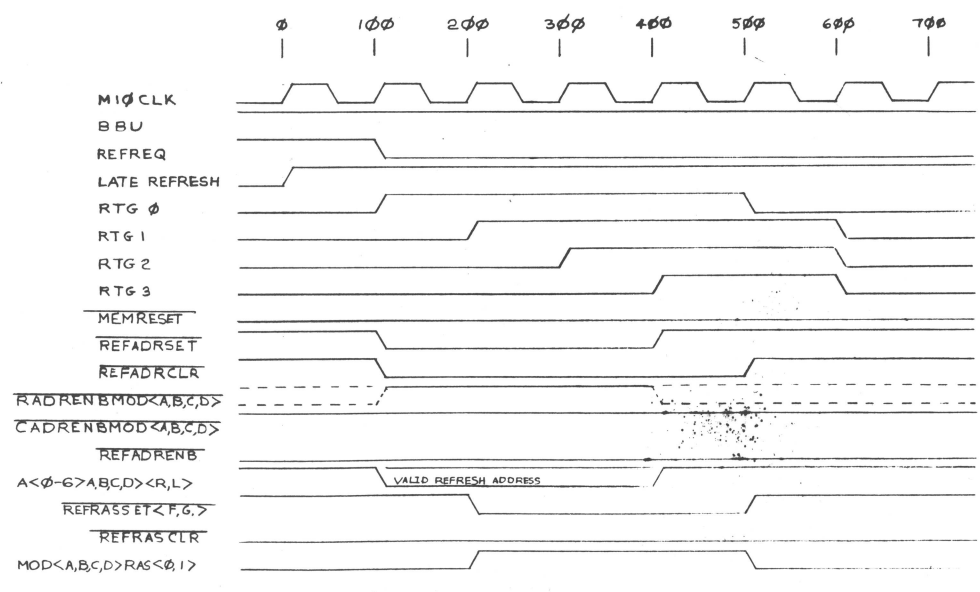


SWITCHING INTO BBU

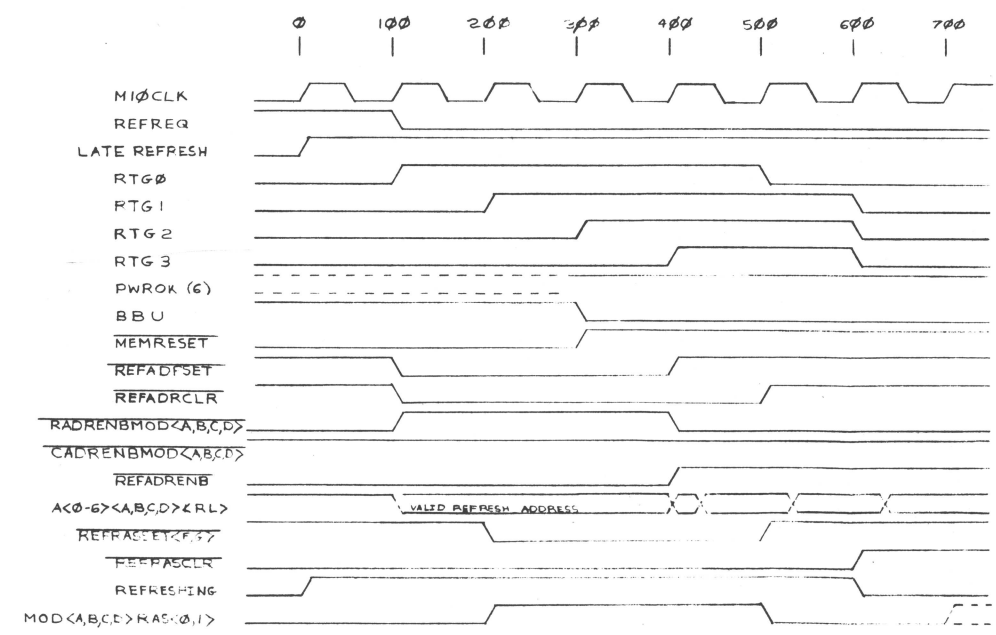


NOTE: (6) PWROK IS AN ASYNCHRONOUS SIGNAL

REFRESH DURING BBU



SWITCHING OUT OF BBU



(TIMING)

| ITEM | QTY. | DESCRIPTION | PART NO. |
|--|-------------|------------------|----------|
| DO NOT SCALE DRAWING. | | | |
| UNLESS OTHERWISE SPECIFIED USE D.G.C. SPECIFICATION 108-000028 FOR TOLERANCES AND WORKMANSHIP REQUIREMENTS | | DRAWN 5 10 83 | 5 10 83 |
| MATERIAL | | CHECKED | |
| FINISH | | ENGINEER | |
| | | APPROVED | |
| | | FIRST USED ON | |
| SCALE | CODE IDENT. | SIZE | CODE |
| | 34984 | D | 001 |
| DRAWING NUMBER | | REV | |
| 001229 | | 01 | |

DATA GENERAL CORPORATION
SOUTHBORO, MASS. 01772
TITLE
DGC BBU
MEMORY

DRAWING 40-528 204 11-5

019000838