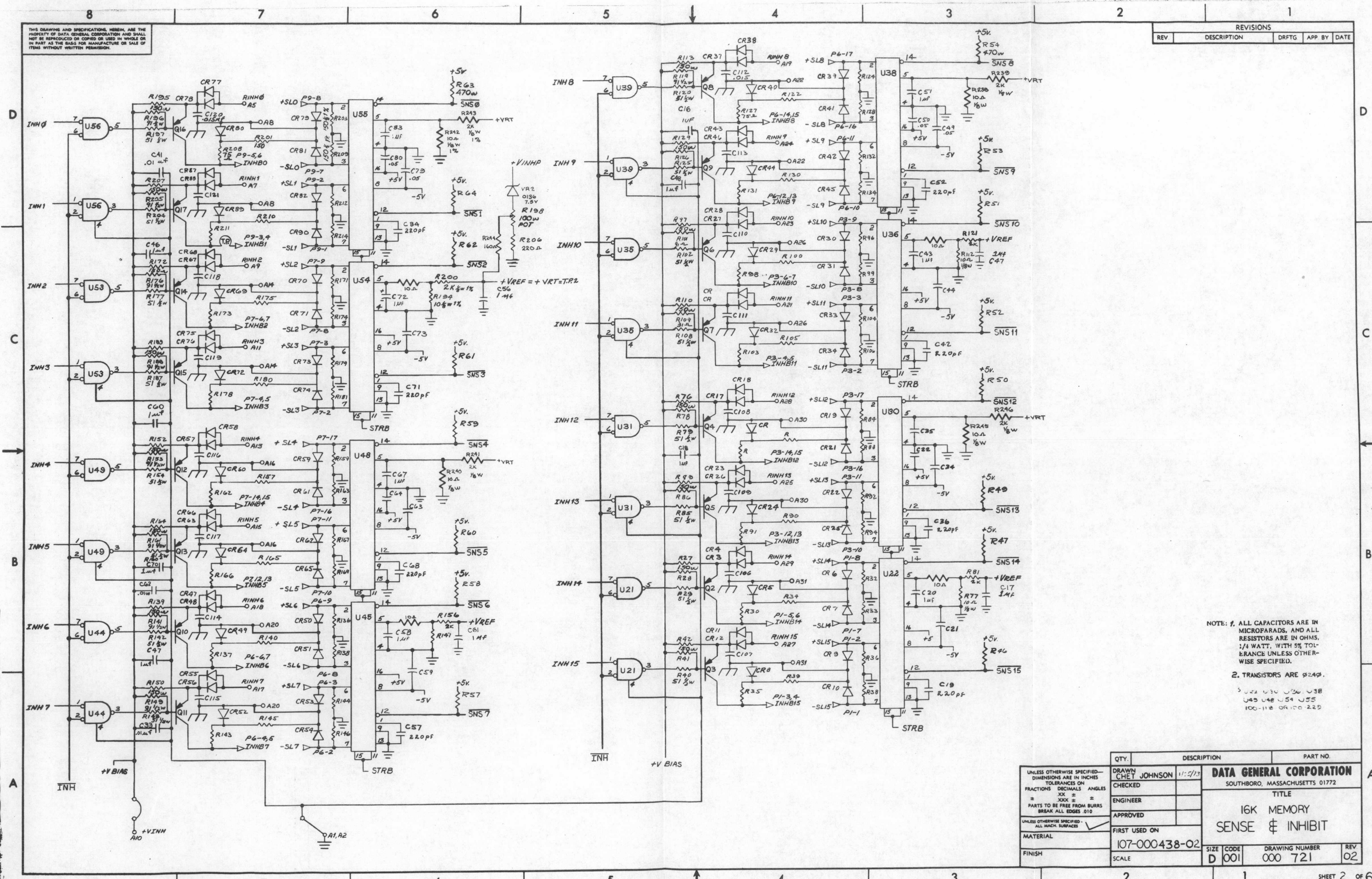


THIS DRAWING AND SPECIFICATIONS HEREIN ARE THE PROPERTY OF DATA GENERAL CORPORATION AND SHALL NOT BE REPRODUCED OR COPIED OR USED IN WHOLE OR IN PART AS THE BASIS FOR MANUFACTURE OR SALE OF ITEMS WITHOUT WRITTEN PERMISSION.

REVISIONS				
REV	DESCRIPTION	DRFTG	APP BY	DATE



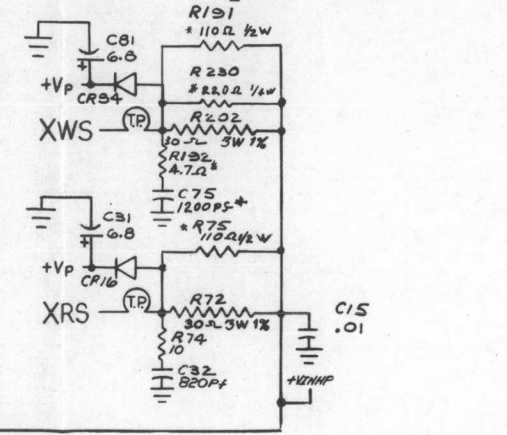
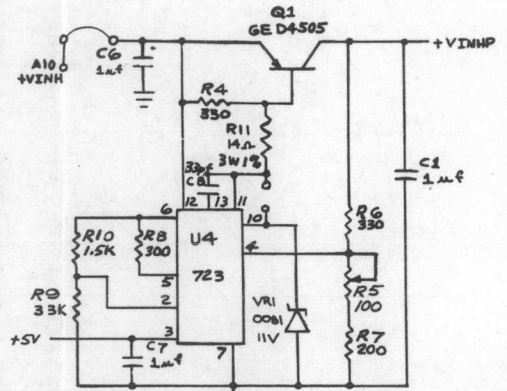
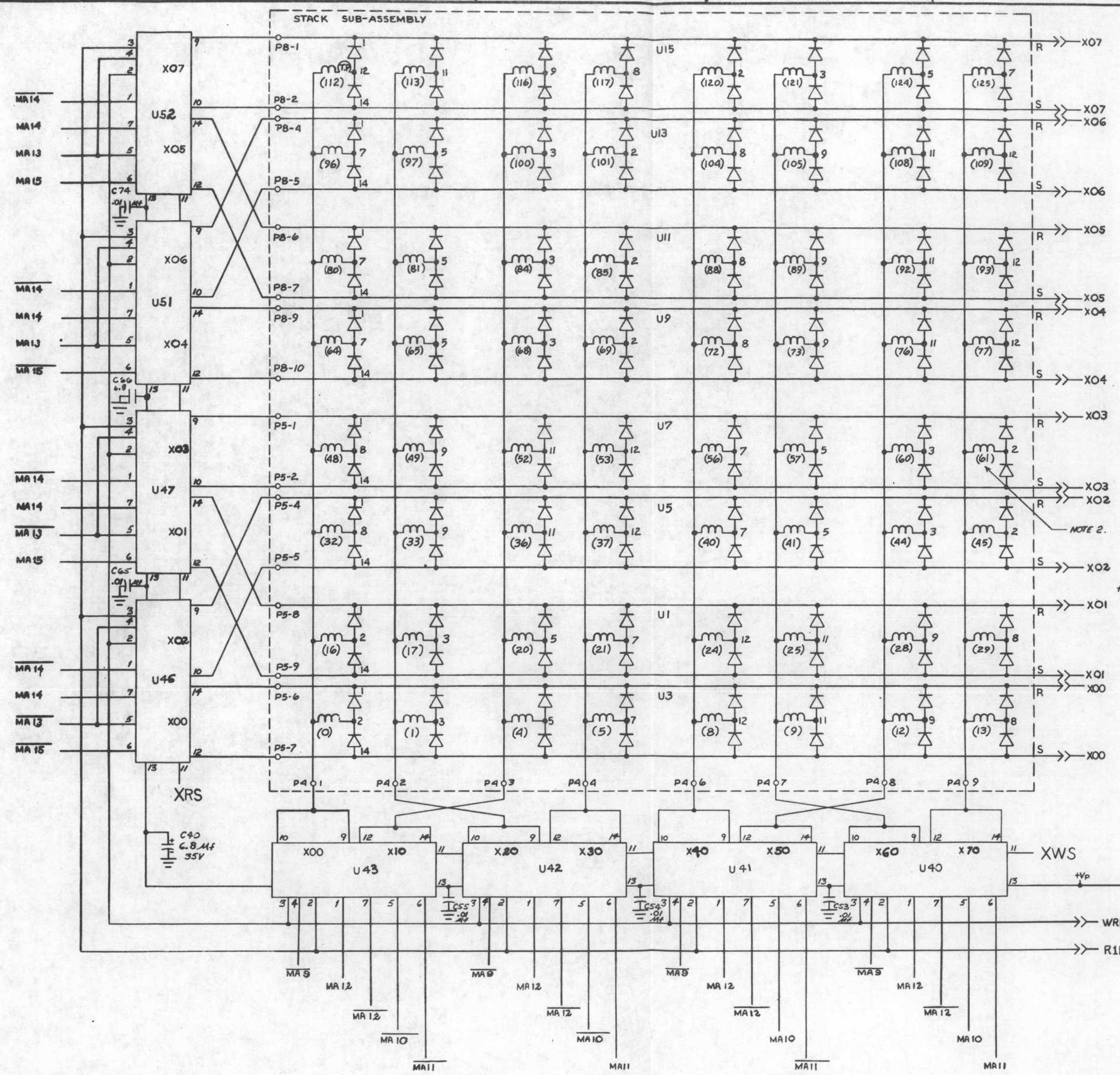
NOTE: 1. ALL CAPACITORS ARE IN MICROFARADS, AND ALL RESISTORS ARE IN OHMS, 1/4 WATT, WITH 5% TOLERANCE UNLESS OTHERWISE SPECIFIED.
 2. TRANSISTORS ARE 9249.
 3. U42 U30 U36 U38
 U45 U48 U54 U55
 100-118 OR 100-229

QTY.	DESCRIPTION	PART NO.

UNLESS OTHERWISE SPECIFIED— DIMENSIONS ARE IN INCHES TOLERANCES ON FRACTIONS DECIMALS ANGLES ± .005 ± .001 ± .001 ± .001 PARTS TO BE FREE FROM BURRS BREAK ALL EDGES .010	DRAWN CHET JOHNSON 11/5/73 CHECKED ENGINEER APPROVED FIRST USED ON 107-000438-02 SCALE 	DATA GENERAL CORPORATION SOUTHBORO, MASSACHUSETTS 01772 TITLE 16K MEMORY SENSE & INHIBIT DRAWING NUMBER 000 721 REV 02
---------------------------------------------------------------------------------------------------------------------------------------------------------------------------------------------	--------------------------------------------------------------------------------------------------------------------	-------------------------------------------------------------------------------------------------------------------------------------------------------------------

THE SCHEMATIC AND SPECIFICATIONS HEREIN ARE THE PROPERTY OF DATA GENERAL CORPORATION AND SHALL NOT BE REPRODUCED OR COPIED IN WHOLE OR IN PART AS THE BASIS FOR MANUFACTURE OR USE OF ITEMS WITHOUT WRITTEN PERMISSION.

REVISIONS				
REV.	DESCRIPTION	DRFTG.	APP. BY	DATE



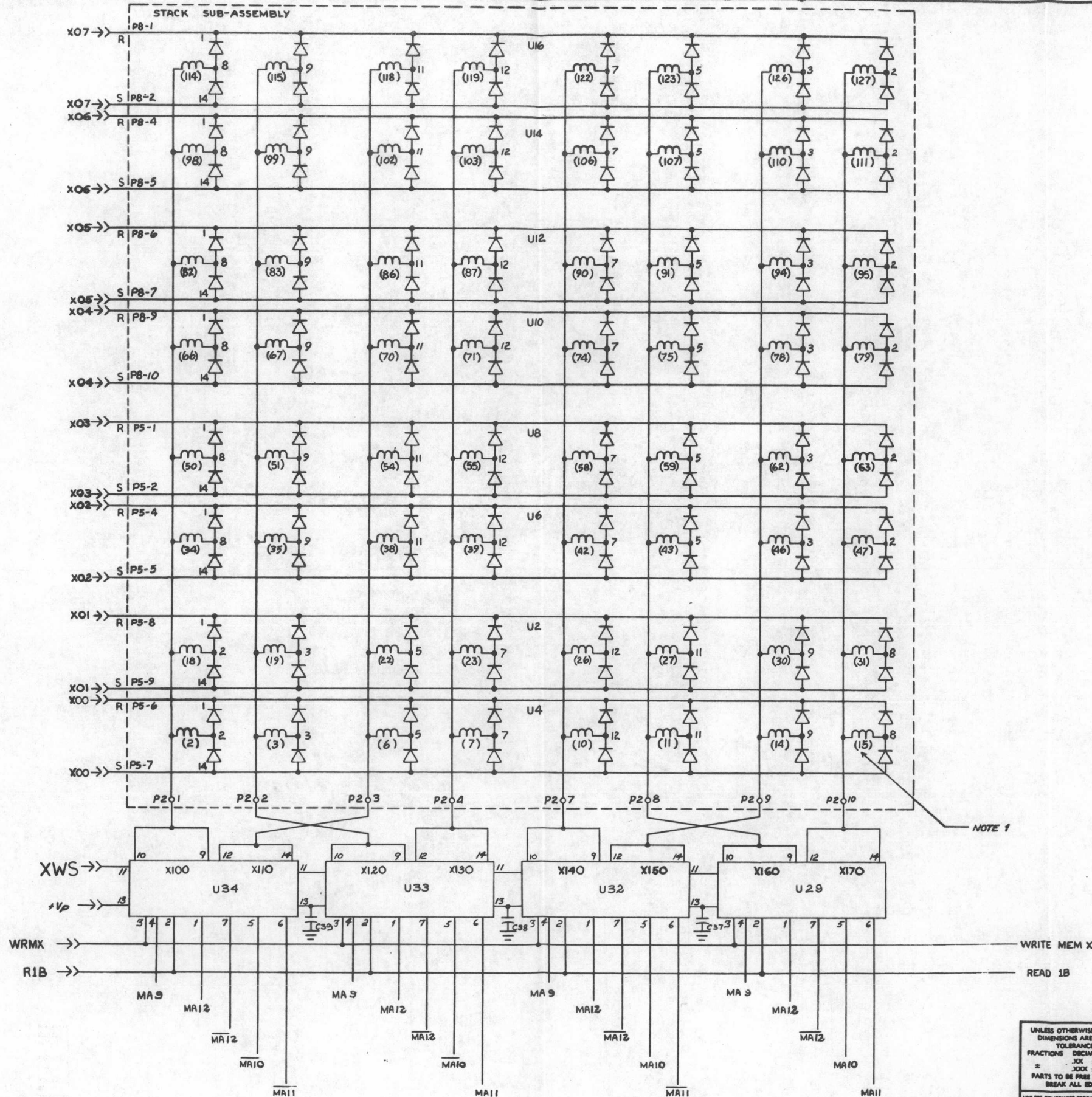
NOTE:
1. C₁ R₁ MAY BE VARIED AT TEST LEVEL.
2. FOR STACK VENDOR USE ONLY.

NOTE: ALL CAPACITORS ARE IN MICROPARADS, AND ALL RESISTORS ARE IN OHMS, 1/4 WATT, WITH 5% TOLERANCE UNLESS OTHERWISE SPECIFIED.

UNLESS OTHERWISE SPECIFIED—DIMENSIONS ARE IN INCHES—FRACTIONS DECIMALS ANGLES	QTY.	DESCRIPTION	PART NO.
CHECKED	1	DATA GENERAL CORPORATION	SOUTHBORO, MASSACHUSETTS 01772
APPROVED		TITLE	16K MEMORY X DRIVERS
FIRST USED ON	107-000438-02	SIZE	CODE
SCALE	D 001	DRAWING NUMBER	000 721
		REV	02

THIS DRAWING AND SPECIFICATIONS HEREIN ARE THE PROPERTY OF DATA GENERAL CORPORATION AND SHALL NOT BE REPRODUCED OR COPIED OR USED IN WHOLE OR IN PART AS THE BASIS FOR MANUFACTURE OR SALE OF ITEMS WITHOUT WRITTEN PERMISSION.

REVISIONS				
REV.	DESCRIPTION	DRFTG.	APP. BY	DATE



NOTE 1

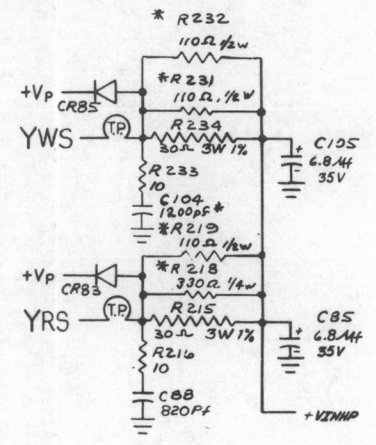
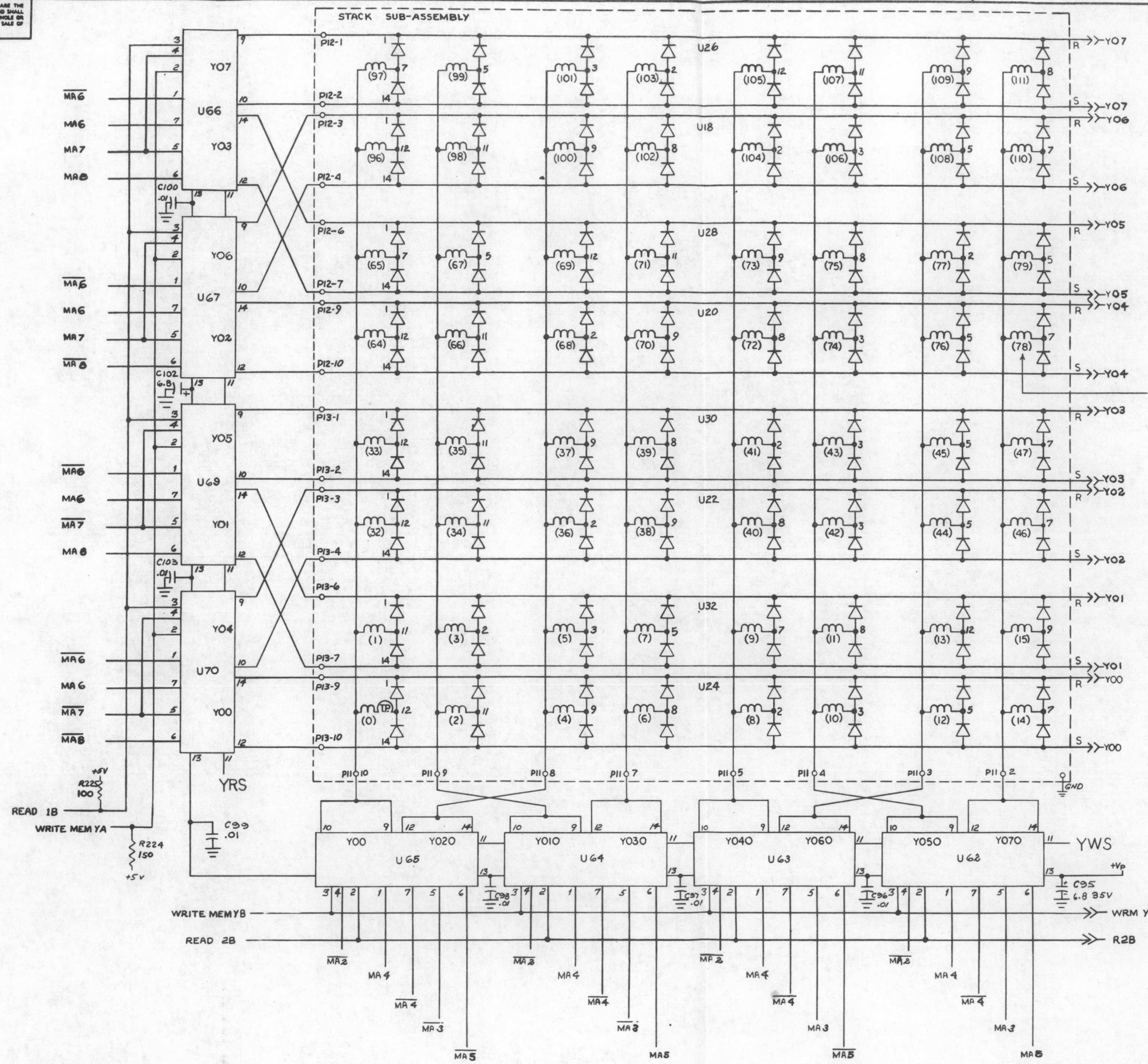
NOTE 1
1. FOR STACK VENDOR USE ONLY.

NOTE: ALL CAPACITORS ARE IN MICROPARADS, AND ALL RESISTORS ARE IN OHMS, 1/4 WATT, WITH 5% TOLERANCE UNLESS OTHERWISE SPECIFIED.

UNLESS OTHERWISE SPECIFIED— DIMENSIONS ARE IN INCHES TOLERANCES ON FRACTIONS DECIMALS ANGLES ± .005 ± .002 ± .010 PARTS TO BE FREE FROM BURRS BREAK ALL EDGES .010	QTY.	DESCRIPTION	PART NO.
	DRAWN CHET JOHNSON 11/25/72		DATA GENERAL CORPORATION SOUTHBORO, MASSACHUSETTS 01772
	CHECKED		TITLE 16K MEMORY X DRIVERS
	ENGINEER		REV 02
UNLESS OTHERWISE SPECIFIED— ALL MACH. SURFACES	APPROVED	FIRST USED ON	SIZE CODE D 001
MATERIAL		107-000-438-02	DRAWING NUMBER 000 721
FINISH		SCALE	REV 02

THIS DRAWING AND SPECIFICATIONS HEREIN ARE THE PROPERTY OF DATA GENERAL CORPORATION AND SHALL NOT BE REPRODUCED OR COPIED OR USED IN WHOLE OR IN PART AS THE BASIS FOR MANUFACTURE OR SALE OF ITEMS WITHOUT WRITTEN PERMISSION.

REVISIONS				
REV.	DESCRIPTION	DRFTG.	APP BY	DATE



NOTE:
 R*
 1. RESISTORS SELECTED AT TEST LEVEL.
 2. FOR STACK VENDOR USE ONLY.
 S=SOURCE
 R=RETURN

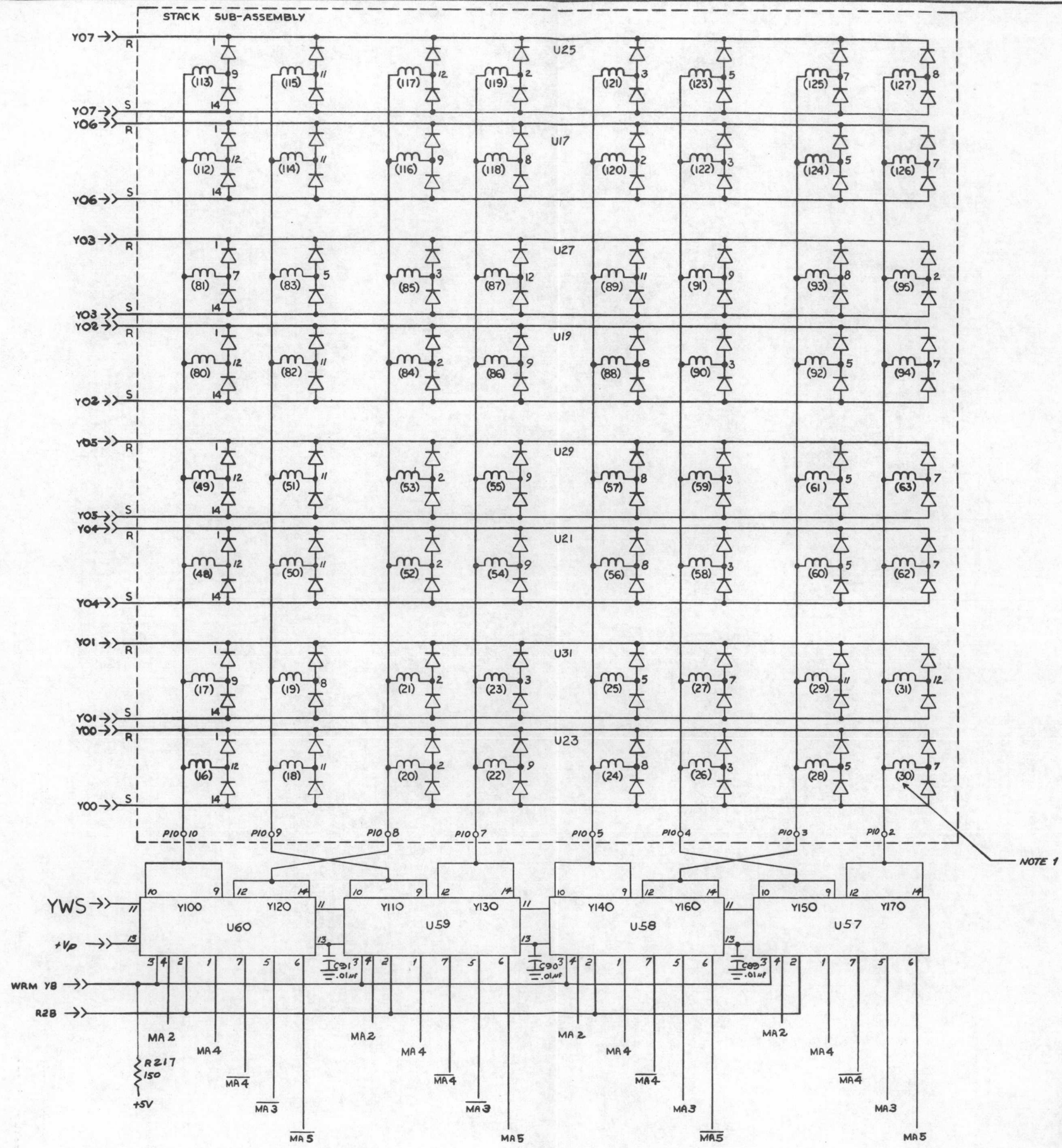
NOTE: ALL CAPACITORS ARE IN MICROPARADS. AND ALL RESISTORS ARE IN OHMS. 1/4 WATT, WITH 5% TOLERANCE UNLESS OTHERWISE SPECIFIED.

QTY.	DESCRIPTION	PART NO.

UNLESS OTHERWISE SPECIFIED—DIMENSIONS ARE IN INCHES		DRAWN CHET JOHNSON 1/25/72		DATA GENERAL CORPORATION	
FRACTIONS	DECIMALS	ANGLES		SOUTHBORO, MASSACHUSETTS 01772	
±	±	±		TITLE	
±	±	±		16K MEMORY	
PARTS TO BE FREE FROM BURRS BREAK ALL EDGES .010				Y DRIVERS	
UNLESS OTHERWISE SPECIFIED—ALL MACH. SURFACES				FIRST USED ON	
MATERIAL				107-000438-02	
FINISH				SIZE	CODE
				D	001
				DRAWING NUMBER	REV
				000 721	02

ALL DIMENSIONS AND TOLERANCES UNLESS OTHERWISE SPECIFIED ARE IN INCHES. DIMENSIONS ARE TO BE TAKEN TO THE CENTER OF HOLES UNLESS OTHERWISE SPECIFIED. DIMENSIONS TO THE CENTER OF HOLES ARE TO BE TAKEN TO THE CENTER OF HOLES UNLESS OTHERWISE SPECIFIED.

REVISIONS				
REV.	DESCRIPTION	DRFTG.	APP. BY	DATE



NOTE 1

NOTE:-
1. FOR STACK VENDOR USE ONLY.

NOTE: ALL CAPACITORS ARE IN MICROFARADS, AND ALL RESISTORS ARE IN OHMS. 1/4 WATT, WITH 5% TOLERANCE UNLESS OTHERWISE SPECIFIED.

UNLESS OTHERWISE SPECIFIED— DIMENSIONS ARE IN INCHES TOLERANCES ON FRACTIONS DECIMALS ANGLES ± .001 ± .005 ± .010 PARTS TO BE FREE FROM BURRS BREAK ALL EDGES .010		UNLESS OTHERWISE SPECIFIED— ALL MACH. SURFACES		MATERIAL		FINISH	
QTY.	DESCRIPTION	PART NO.		DRAWN CHET JOHNSON 1/25/73		DATA GENERAL CORPORATION SOUTHBORO, MASSACHUSETTS 01772	
CHECKED	ENGINEER	APPROVED		FIRST USED ON		107-000438-02	
SCALE	SIZE	CODE	DRAWING NUMBER	REV.			
D	001	000	721	02			