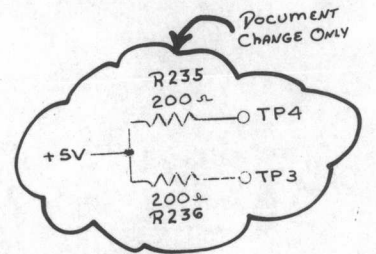
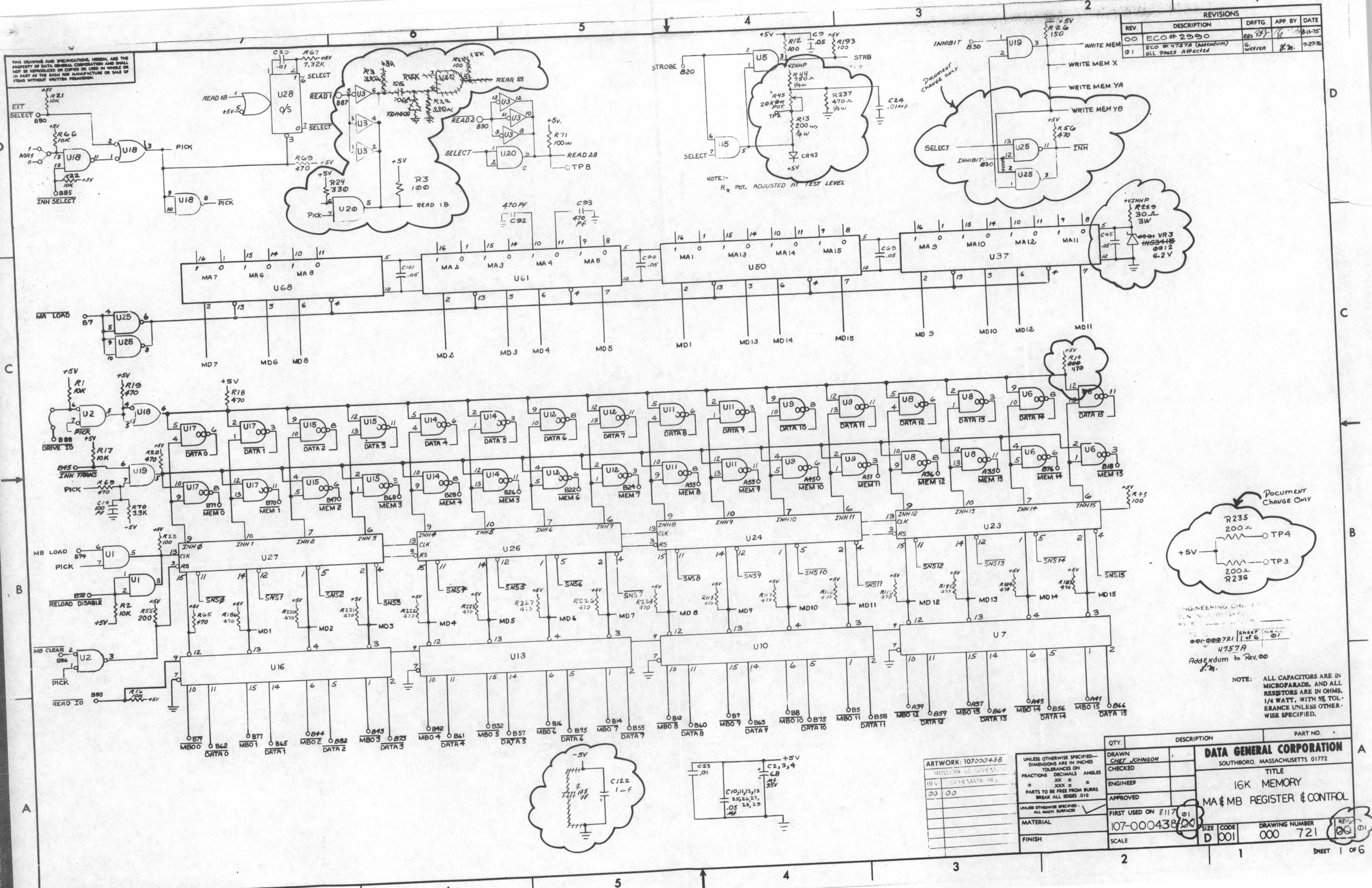


THIS DRAWING AND SPECIFICATIONS HEREIN, ARE THE PROPERTY OF DATA GENERAL CORPORATION AND SHALL NOT BE REPRODUCED OR COPIED OR USED IN WHOLE OR IN PART AS THE BASIS FOR MANUFACTURE OR SALE OF ITEMS WITHOUT WRITTEN PERMISSION.

| REV. | DESCRIPTION | DRFTG. | APP. BY | DATE |
|------|------------------------|-----------|---------|---------|
| 00 | ECO # 2990 | ES | JM | 8-11-75 |
| 01 | ECO # 4757A (Addendum) | G. Weaver | J.M. | 7-27-76 |



ENGINEERING CHANGE
 4757A
 Addendum to Rev. 00
 J.M.

NOTE: ALL CAPACITORS ARE IN MICROFARADS, AND ALL RESISTORS ARE IN OHMS, 1/4 WATT, WITH 5% TOLERANCE UNLESS OTHERWISE SPECIFIED.

ARTWORK: 107000438

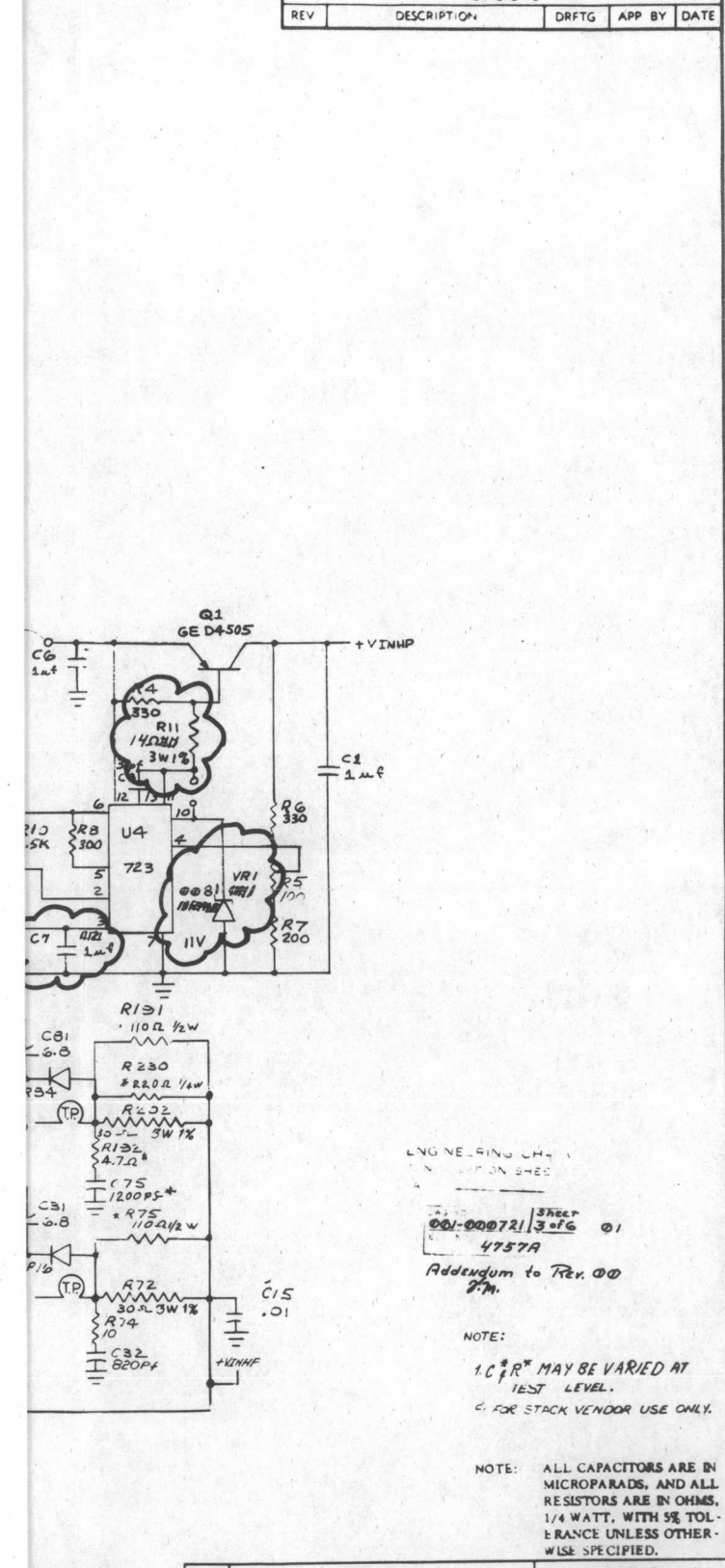
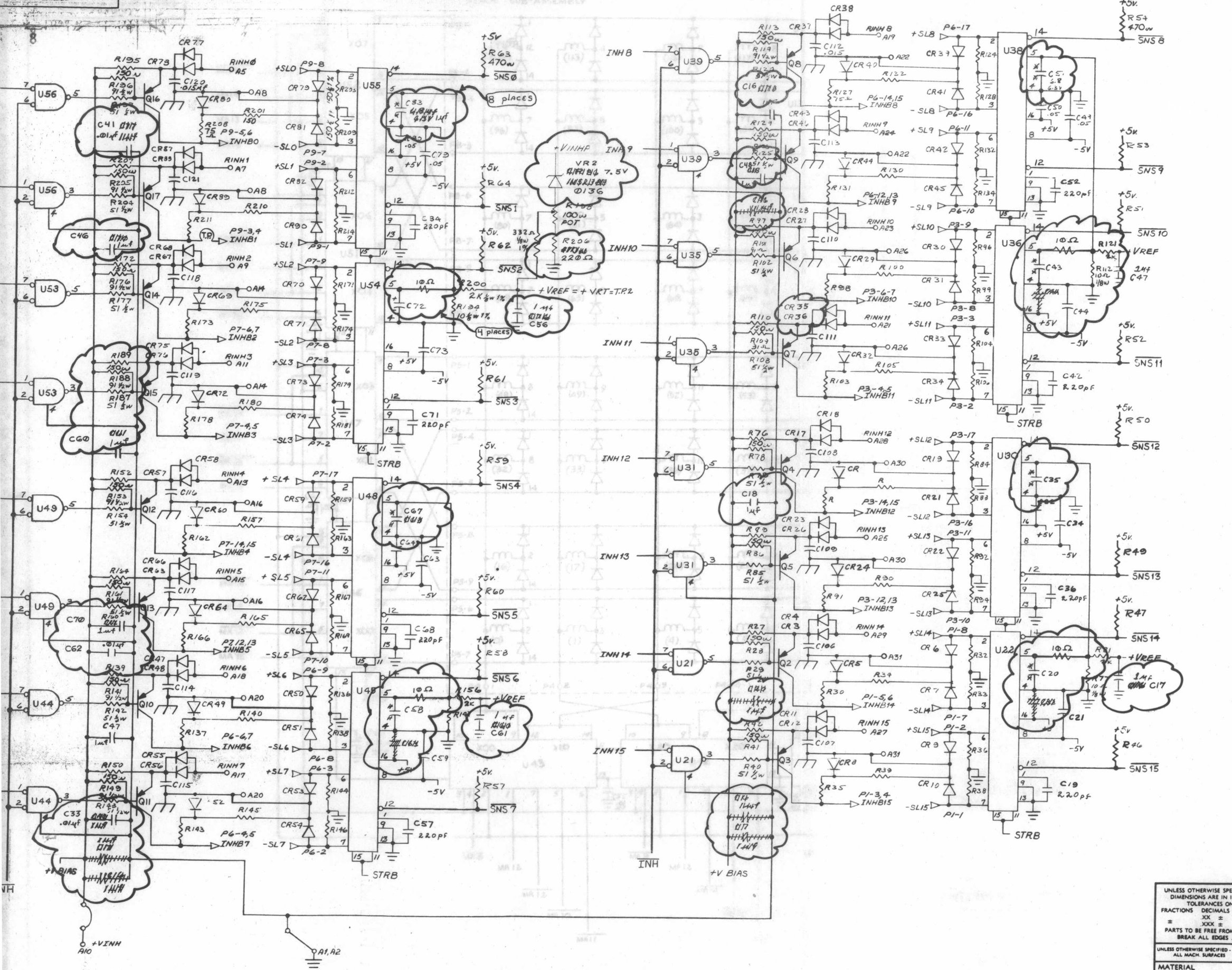
| REV. | DESCRIPTION |
|------|-------------|
| 00 | 00 |

| QTY. | DESCRIPTION | PART NO. |
|------|--------------------|----------|
| 1 | DRAWN CHECKED | |
| 1 | ENGINEER | |
| 1 | APPROVED | |
| 1 | FIRST USED ON 8117 | |
| 1 | MATERIAL | |
| 1 | FINISH | |

| DATA GENERAL CORPORATION | | TITLE | |
|--------------------------------|------|----------------------------|-------|
| SOUTHBORO, MASSACHUSETTS 01772 | | 16K MEMORY | |
| | | MA & MB REGISTER & CONTROL | |
| SIZE | CODE | DRAWING NUMBER | REV. |
| D | 001 | 000 721 | 00 01 |

ALL DIMENSIONS AND SPECIFICATIONS HEREIN ARE THE PROPERTY OF DATA GENERAL CORPORATION AND SHALL BE KEPT CONFIDENTIAL AND NOT TO BE REPRODUCED OR COPIED OR USED IN WHOLE OR IN PART WITHOUT THE WRITTEN PERMISSION OF DATA GENERAL CORPORATION.

| REVISIONS | | | |
|-----------|-------------|-------|-------------|
| REV | DESCRIPTION | DRFTG | APP BY DATE |
| | | | |



ENGINEERING CHART
 16K MEMORY X DRIVERS
 001-000721-3-06 01
 4757A
 Addendum to Rev. 00
 2A.

NOTE:
 1. C₁ R₁ MAY BE VARIED AT TEST LEVEL.
 2. FOR STACK VENDOR USE ONLY.

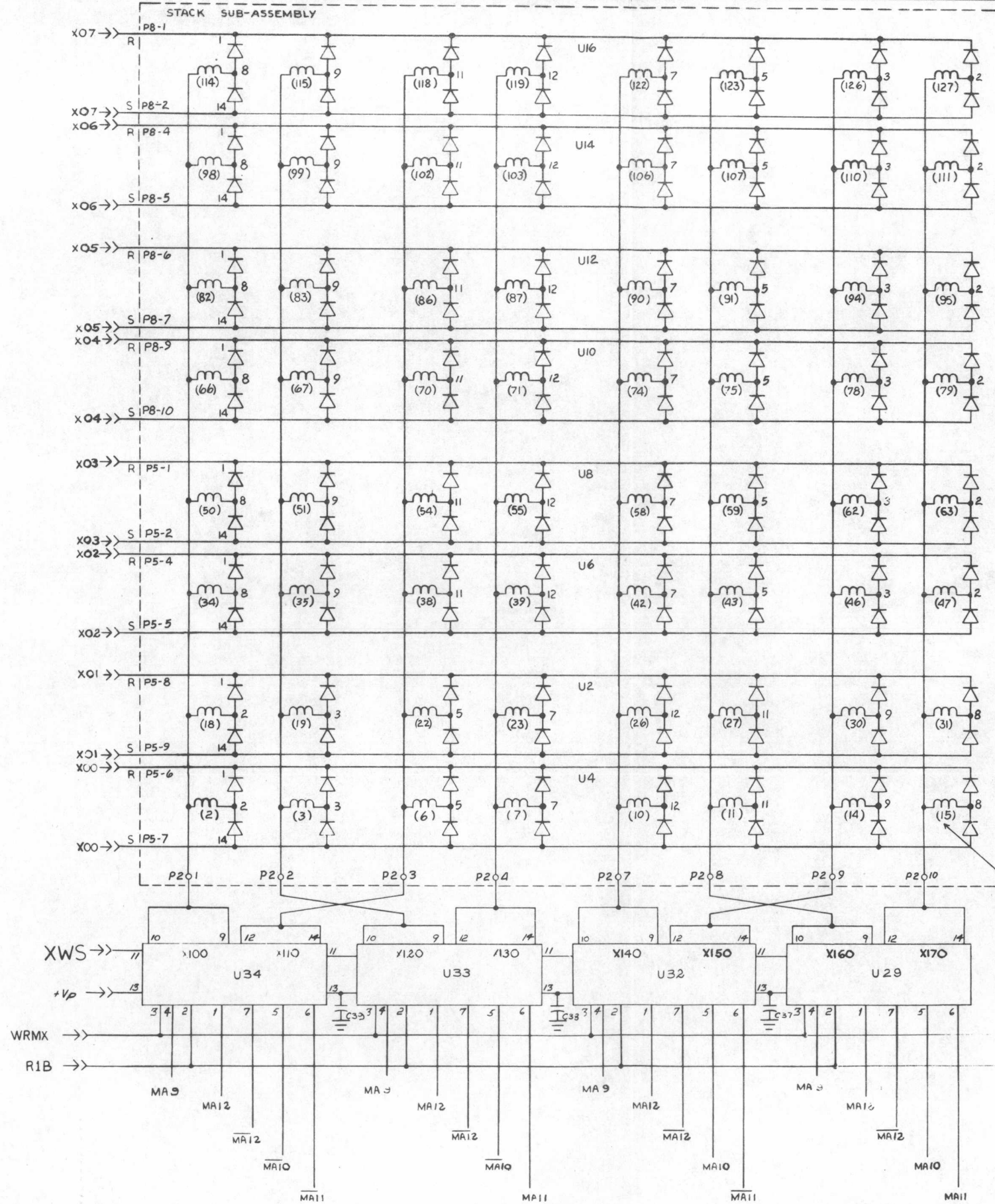
NOTE:
 ALL CAPACITORS ARE IN MICROFARADS, AND ALL RESISTORS ARE IN OHMS, 1/4 WATT, WITH 5% TOLERANCE UNLESS OTHERWISE SPECIFIED.

| QTY | DESCRIPTION | PART NO. |
|-----|-------------|----------|
| | | |

| | | |
|---|---|--|
| UNLESS OTHERWISE SPECIFIED— DIMENSIONS ARE IN INCHES. TOLERANCES ON DIMENSIONS ARE: FRACTIONS DECIMALS ANGLES XXX ± .010 ± .005 ± .002 PARTS TO BE FREE FROM BURRS BREAK ALL EDGES .010 OTHERWISE SPECIFIED— ALL MACH. SURFACES | DRAWN CHET JOHNSON CHECKED ENGINEER APPROVED FIRST USED ON 107-000438-00 SCALE | DATA GENERAL CORPORATION SOUTHBORO, MASSACHUSETTS 01772 TITLE 16K MEMORY X DRIVERS DRAWING NUMBER 000 721 REV. 01 |
|---|---|--|

THIS DRAWING AND SPECIFICATIONS, HEREIN, ARE THE PROPERTY OF DATA GENERAL CORPORATION AND SHALL NOT BE REPRODUCED OR COPIED OR USED IN WHOLE OR IN PART AS THE BASIS FOR MANUFACTURE OR SALE OF ITEMS WITHOUT WRITTEN PERMISSION.

| REVISIONS | | | | |
|-----------|-------------|-------|--------|------|
| REV | DESCRIPTION | DRFTG | APP BY | DATE |
| | | | | |



NOTE 1

NOTE:-
1. FOR STACK VENDOR USE ONLY.

001-000721 SHEET 01
4757A
Addendum to Rev. 00
J.M.

NOTE: ALL CAPACITORS ARE IN MICROPARADES, AND ALL RESISTORS ARE IN OHMS, 1/4 WATT, WITH 5% TOLERANCE UNLESS OTHERWISE SPECIFIED.

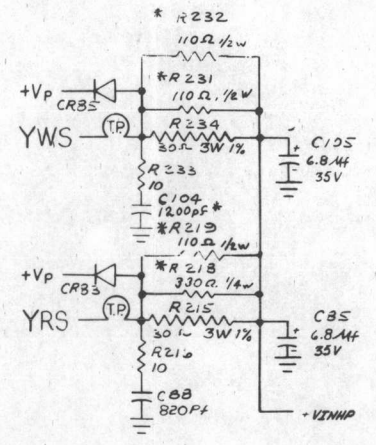
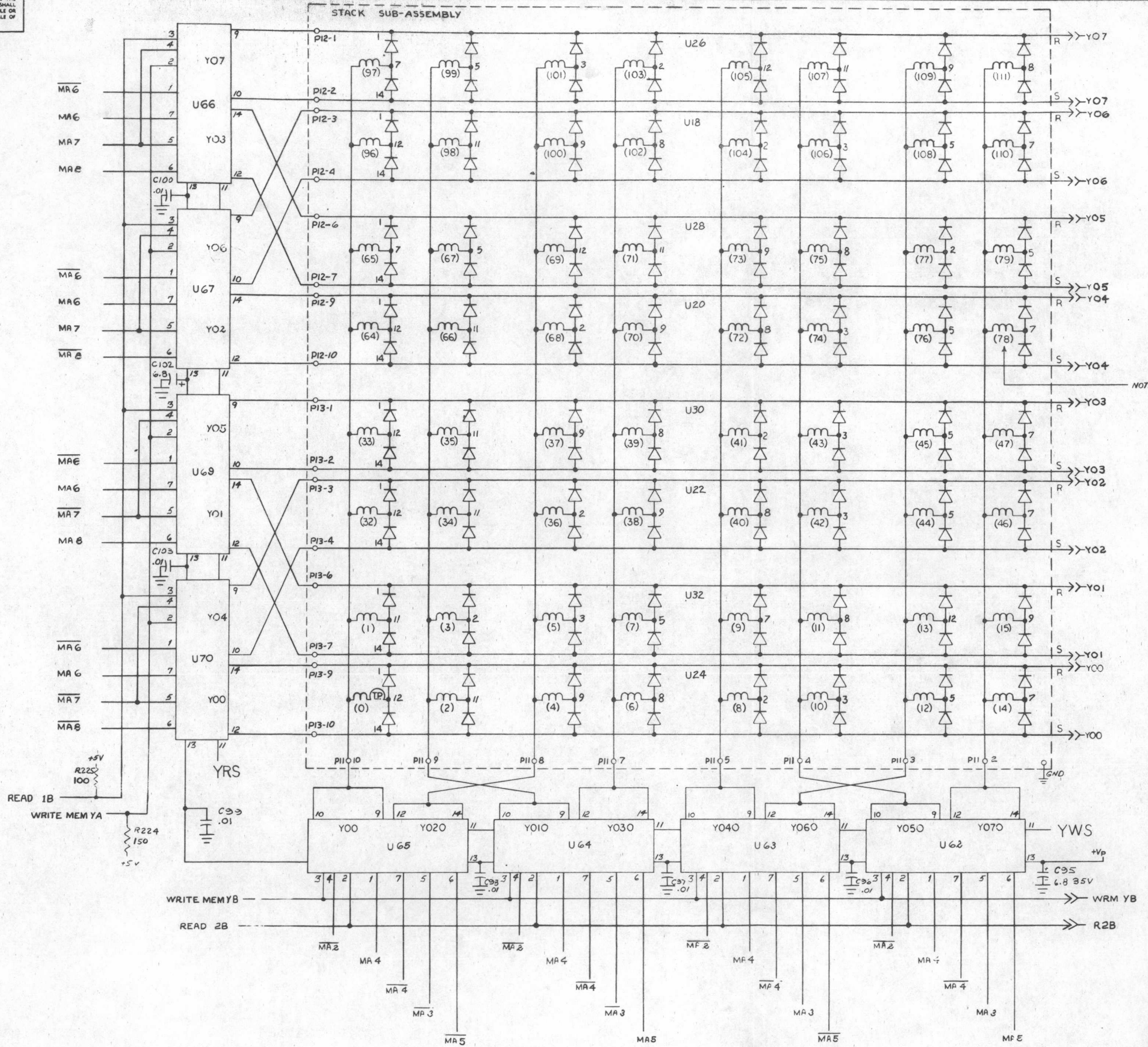
| QTY | DESCRIPTION | PART NO. |
|-----|-------------|----------|
| | | |

| | | |
|---|-----------------------|---------------------------|
| UNLESS OTHERWISE SPECIFIED— DIMENSIONS ARE IN INCHES TOLERANCES ON FRACTIONS DECIMALS ANGLES ± .005 ± .010 ± .015 PARTS TO BE FREE FROM BURRS BREAK ALL EDGES 010 | DRAWN CHET JOHNSON | |
| | CHECKED | |
| | ENGINEER | |
| | APPROVED | |
| UNLESS OTHERWISE SPECIFIED— ALL MACH. SURFACES | FIRST USED ON | |
| | 107-000-435-00 | |
| | SCALE | |
| | SIZE D | CODE 001 |
| | | DRAWING NUMBER 000 721 |
| | | REV 00 01 |

DATA GENERAL CORPORATION
SOUTHBORO, MASSACHUSETTS 01772
TITLE
16K MEMORY
X DRIVERS

THIS DRAWING AND SPECIFICATIONS, HEREIN, ARE THE PROPERTY OF DATA GENERAL CORPORATION AND SHALL NOT BE REPRODUCED OR COPIED OR USED IN WHOLE OR IN PART AS THE BASIS FOR MANUFACTURE OR SALE OF ITEMS WITHOUT WRITTEN PERMISSION.

| REVISIONS | | | | |
|-----------|-------------|-------|--------|------|
| REV | DESCRIPTION | DRFTG | APP BY | DATE |
| | | | | |



W-00000721 SHEET 5 OF 6
4757A
Addendum to Rev. 00
J.M.

- NOTE:
- R* RESISTORS SELECTED AT TEST LEVEL.
 - 2. FOR STACK VENDOR USE ONLY.

S = SOURCE
R = RETURN

NOTE: ALL CAPACITORS ARE IN MICROPARADS, AND ALL RESISTORS ARE IN OHMS, 1/4 WATT, WITH 5% TOLERANCE UNLESS OTHERWISE SPECIFIED.

| QTY | DESCRIPTION | PART NO. |
|-----|-------------|----------|
| | | |

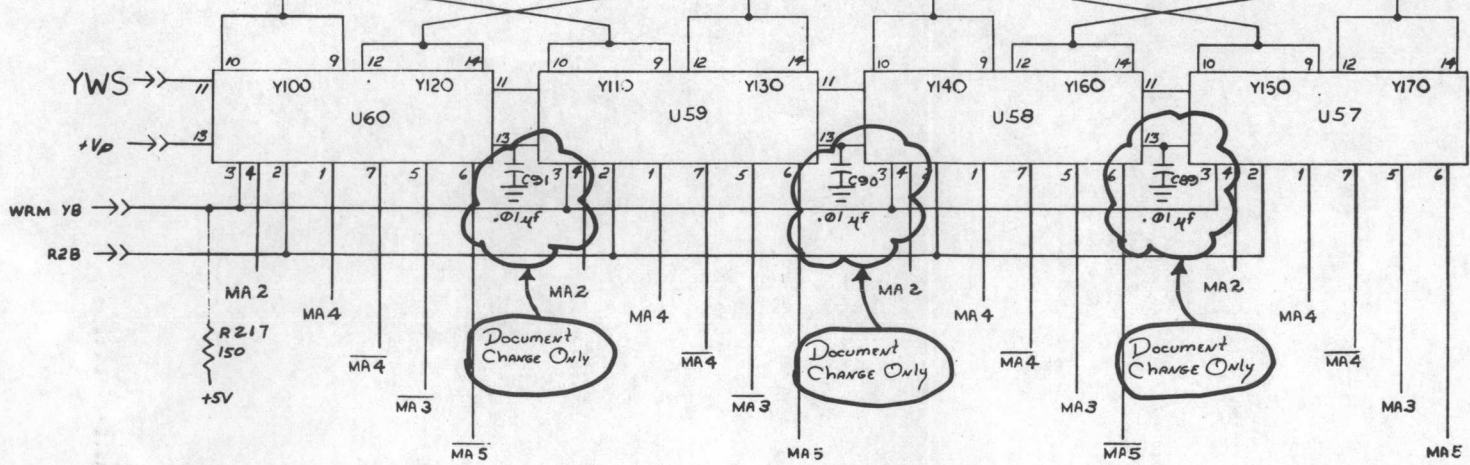
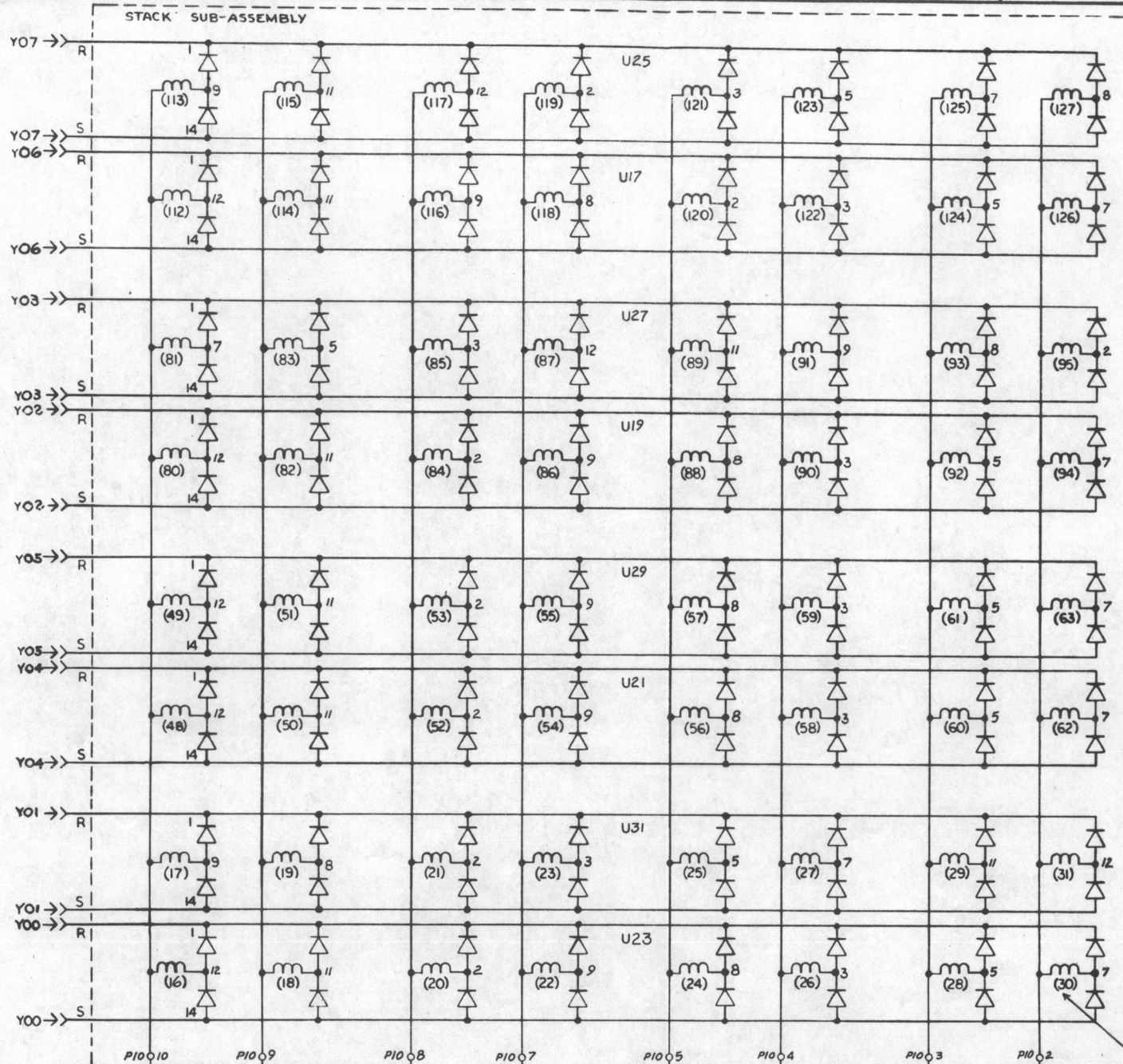
| | | | |
|--|--------|-----------------------|--|
| UNLESS OTHERWISE SPECIFIED—DIMENSIONS ARE IN INCHES FRACTIONS DECIMALS ANGLES = ± .005 ± .010 ± .015 PARTS TO BE FREE FROM BURRS BREAK ALL EDGES °10 | | DRAWN CHET JOHNSON | DATA GENERAL CORPORATION SOUTHBORO, MASSACHUSETTS 01772 |
| UNLESS OTHERWISE SPECIFIED—ALL MACH SURFACES | | | |
| MATERIAL | FINISH | ENGINEER | TITLE 16K MEMORY Y DRIVERS |
| | | APPROVED | DRAWING NUMBER 000 721 |
| | | FIRST USED ON | |
| | | 107-000438 | |
| SCALE | | | |

A

REV 01

THIS DRAWING AND SPECIFICATIONS HEREBY ARE THE PROPERTY OF DATA GENERAL CORPORATION AND SHALL NOT BE REPRODUCED OR COPIED OR USED IN WHOLE OR IN PART AS THE BASIS FOR MANUFACTURE OR SALE OF ITEMS WITHOUT WRITTEN PERMISSION.

| REVISIONS | | | | |
|-----------|-------------|-------|--------|------|
| REV | DESCRIPTION | DRFTG | APP BY | DATE |



NOTE 1

NOTE:-

1. FOR STACK VENDOR USE ONLY.

001-000721 Sheet 6 of 6
4757A
Addendum to Rev. 00
2/79.

NOTE: ALL CAPACITORS ARE IN MICROPARADE, AND ALL RESISTORS ARE IN OHMS, 1/4 WATT, WITH 5% TOLERANCE UNLESS OTHERWISE SPECIFIED.

| QTY. | DESCRIPTION | PART NO. |
|---------------|--------------|----------|
| DRAWN | CHEK JOHNSON | 11/1/77 |
| CHECKED | | |
| ENGINEER | | |
| APPROVED | | |
| FIRST USED ON | | |
| MATERIAL | | |
| FINISH | | |

| | | | |
|--------------------------|------|--------------------------------|-----|
| DATA GENERAL CORPORATION | | SOUTHBORO, MASSACHUSETTS 01772 | |
| TITLE | | | |
| 16K MEMORY | | | |
| Y DRIVERS | | | |
| SIZE | CODE | DRAWING NUMBER | REV |
| D | 001 | 000 721 | 01 |