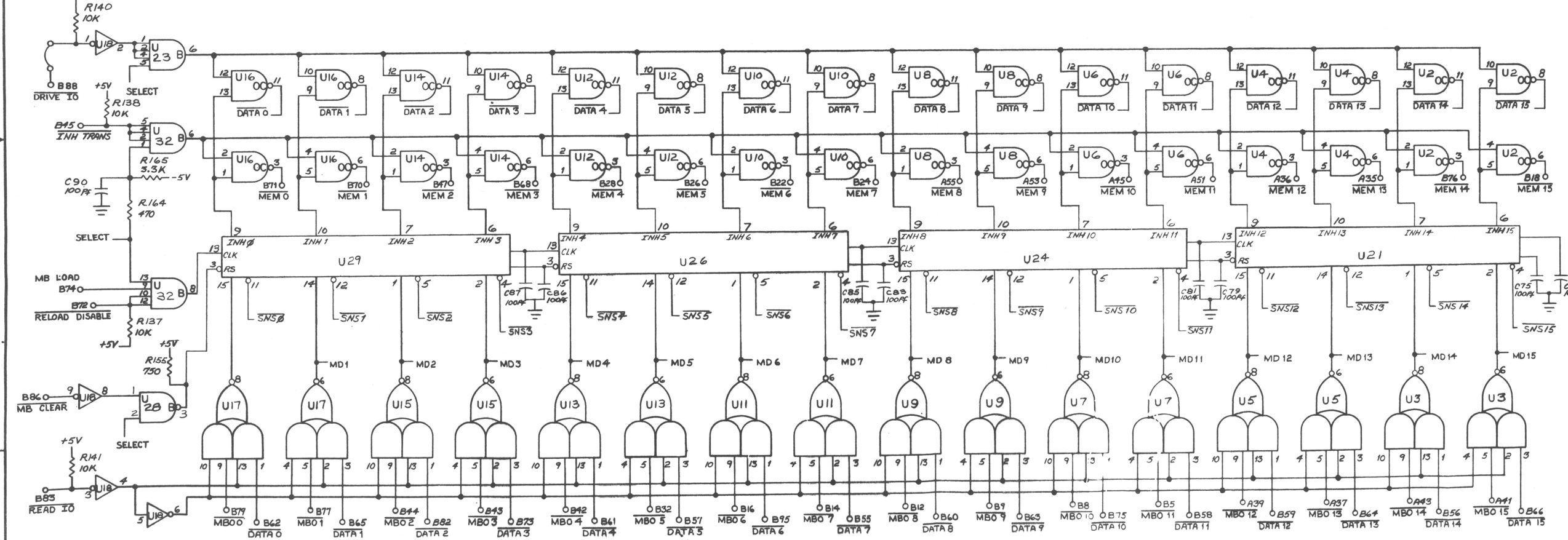
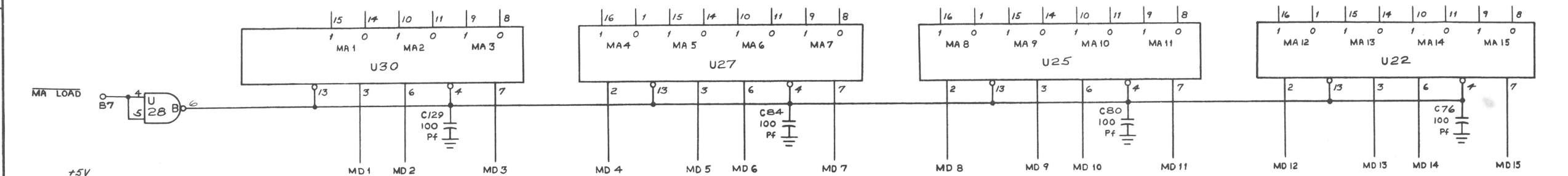
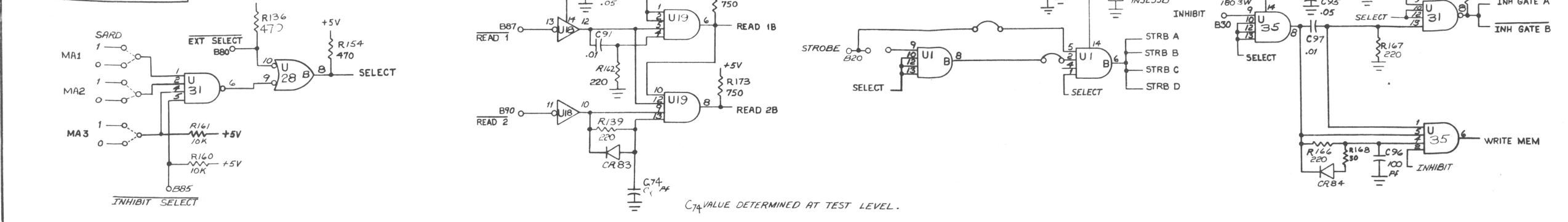
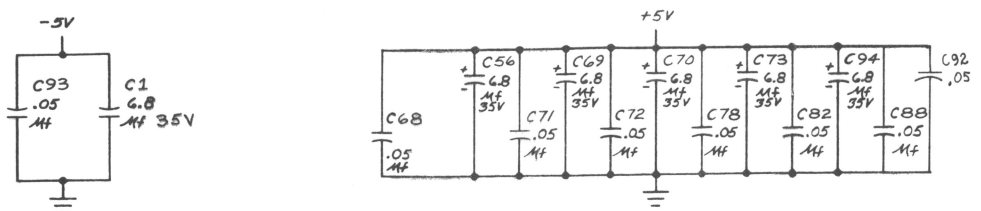


THIS DRAWING AND SPECIFICATIONS, HEREIN, ARE THE PROPERTY OF DATA GENERAL CORPORATION AND SHALL NOT BE REPRODUCED OR COPIED OR USED IN WHOLE OR IN PART AS THE BASIS FOR MANUFACTURE OR SALE OF ITEMS WITHOUT WRITTEN PERMISSION.

REVISIONS				
REV	DESCRIPTION	DRFTG	APP BY	DATE



NOTE: ALL CAPACITORS ARE IN MICROFARADS, AND ALL RESISTORS ARE IN OHMS, 1/4 WATT, WITH 5% TOLERANCE UNLESS OTHERWISE SPECIFIED.

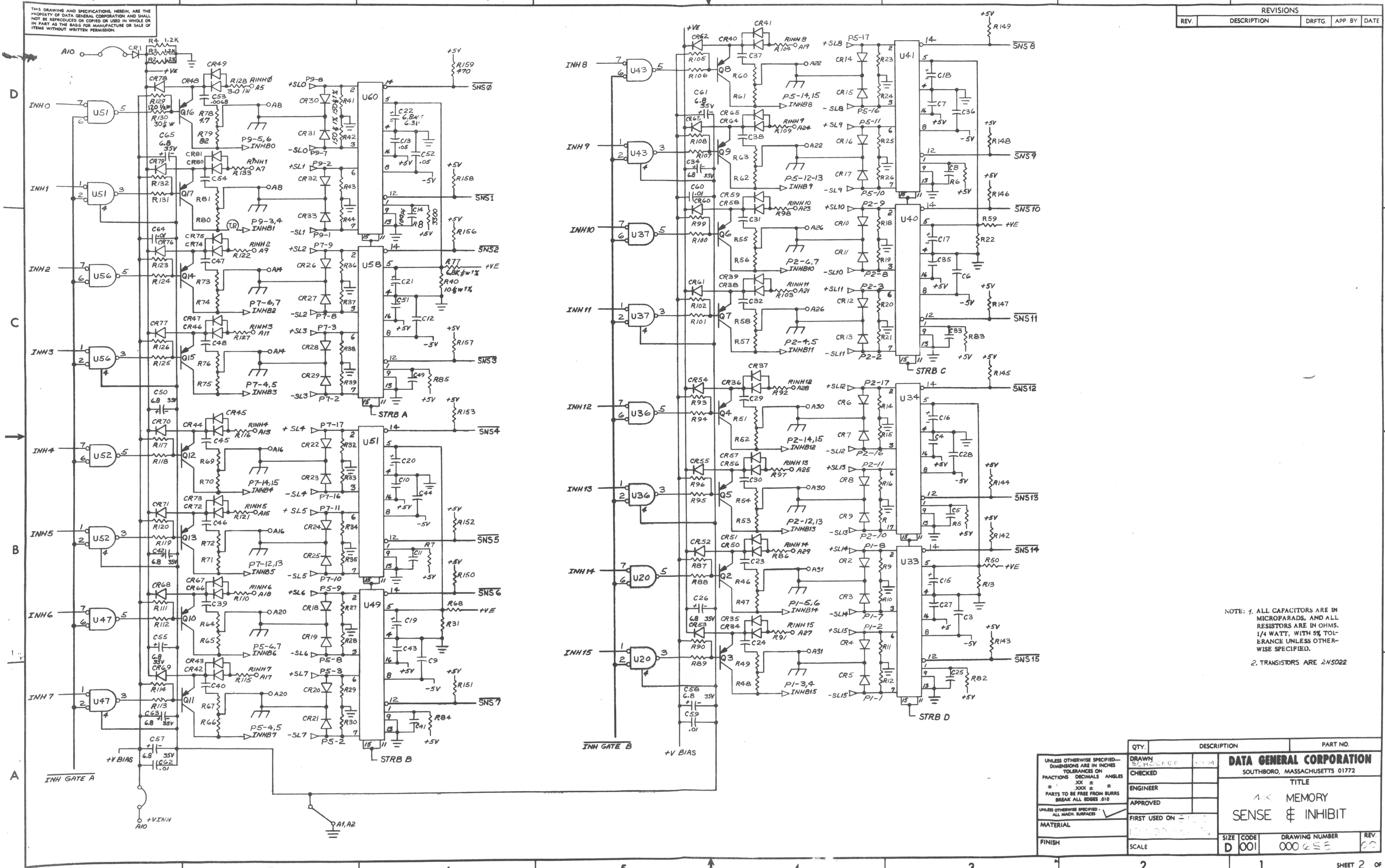


QTY.	DESCRIPTION	PART NO

DRAWN: <i>SCHOEN</i>		DATA GENERAL CORPORATION	
CHECKED: <i>[Signature]</i>		SOUTHBORO, MASSACHUSETTS 01772	
ENGINEER: <i>[Signature]</i>		TITLE	
APPROVED: <i>[Signature]</i>		4K MEMORY	
FIRST USED ON: <i>[Date]</i>		MA & MB REGISTER & CONTROL	
MATERIAL: <i>[Material]</i>		1200, 1210, 1220	
FINISH: <i>[Finish]</i>		SIZE: D	CODE: 001
		DRAWING NUMBER: 000 658	REV: 00

THIS DRAWING AND SPECIFICATIONS, HEREIN, ARE THE PROPERTY OF DATA GENERAL CORPORATION AND SHALL NOT BE REPRODUCED OR COPIED OR USED IN WHOLE OR IN PART AS THE BASIS FOR MANUFACTURE OR SALE OF ITEMS WITHOUT WRITTEN PERMISSION.

REVISIONS			
REV.	DESCRIPTION	DRFTG.	APP BY DATE



NOTE: 1. ALL CAPACITORS ARE IN MICROFARADS, AND ALL RESISTORS ARE IN OHMS, 1/4 WATT, WITH 5% TOLERANCE UNLESS OTHERWISE SPECIFIED.
2. TRANSISTORS ARE 2N5022

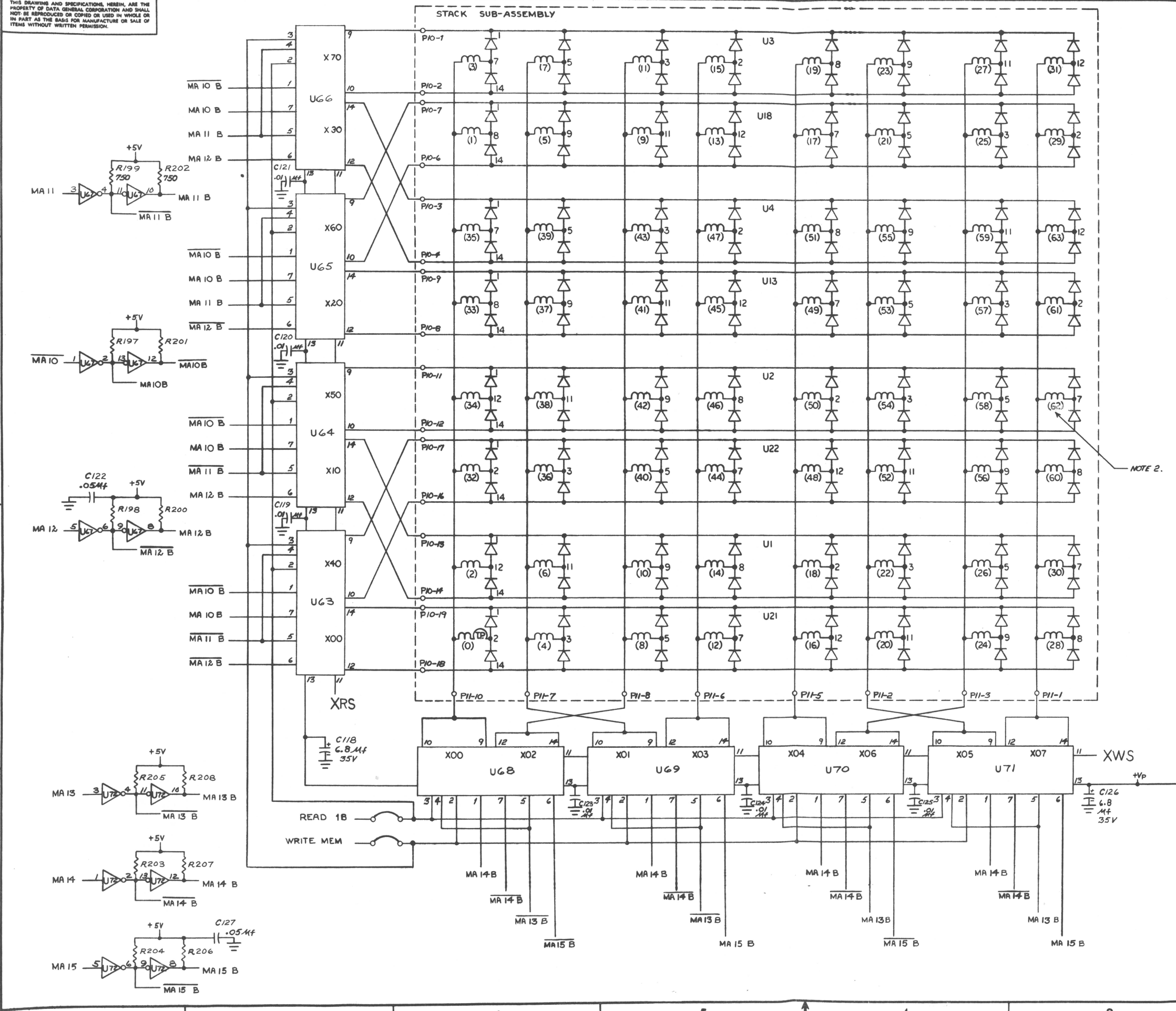
QTY.	DESCRIPTION	PART NO.

<small>UNLESS OTHERWISE SPECIFIED— DIMENSIONS ARE IN INCHES TOLERANCES ON FRACTIONS DECIMALS ANGLES JDK ± PARTS TO BE FREE FROM BURRS BREAK ALL EDGES .010</small>	DRAWN	1/1/74	DATA GENERAL CORPORATION SOUTHBORO, MASSACHUSETTS 01772 TITLE 4K MEMORY SENSE & INHIBIT
	CHECKED		
	ENGINEER		
	APPROVED		
<small>UNLESS OTHERWISE SPECIFIED— ALL MACH. SURFACES</small>	FIRST USED ON		
MATERIAL			
FINISH	SCALE		

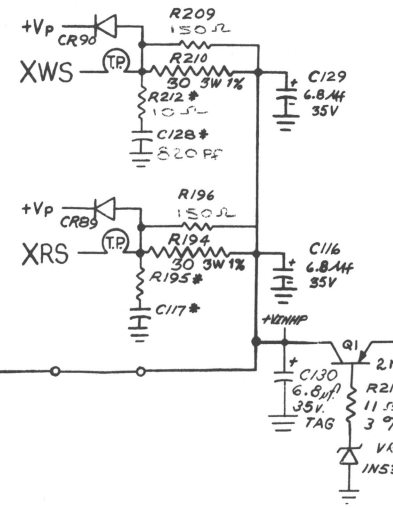
SIZE	CODE	DRAWING NUMBER	REV.
D	001	000 655	00

THIS DRAWING AND SPECIFICATIONS, HEREIN, ARE THE PROPERTY OF DATA GENERAL CORPORATION AND SHALL NOT BE REPRODUCED OR COPIED OR USED IN WHOLE OR IN PART AS THE BASIS FOR MANUFACTURE OR SALE OF ITEMS WITHOUT WRITTEN PERMISSION.

REVISIONS			
REV.	DESCRIPTION	DRFTG.	APP. BY DATE



NOTE 2.



- NOTES:
- * R212, C128, R195, C117, R172, R132, R196, & R209 ARE NOMINAL VALUES AND MAY BE CHANGED AT TEST LEV.
 - FOR STACK VENDOR USE ONLY.
 - C117 & R195 ARE TYPICALLY LEFT OUT.

NOTE: ALL CAPACITORS ARE IN MICROFARADS, AND ALL RESISTORS ARE IN OHMS, 1/4 WATT, WITH 5% TOLERANCE UNLESS OTHERWISE SPECIFIED.

QTY.	DESCRIPTION	PART NO.

UNLESS OTHERWISE SPECIFIED - DIMENSIONS ARE IN INCHES. TOLERANCES ON FRACTIONS DECIMALS ANGLES	DRAWN SCHÖENER 4-10-71	DATA GENERAL CORPORATION SOUTHBORO, MASSACHUSETTS 01772
* XX = * PARTS TO BE FREE FROM BURRS BREAK ALL EDGES .010	CHECKED	
UNLESS OTHERWISE SPECIFIED - ALL MACH. SURFACES	ENGINEER	
FINISH	APPROVED	
	FIRST USED ON 8120	TITLE
	107-000137-06	4K MEMORY X DRIVERS
	SCALE	SIZE CODE
		D 001
		DRAWING NUMBER
		000658
		REV
		00

