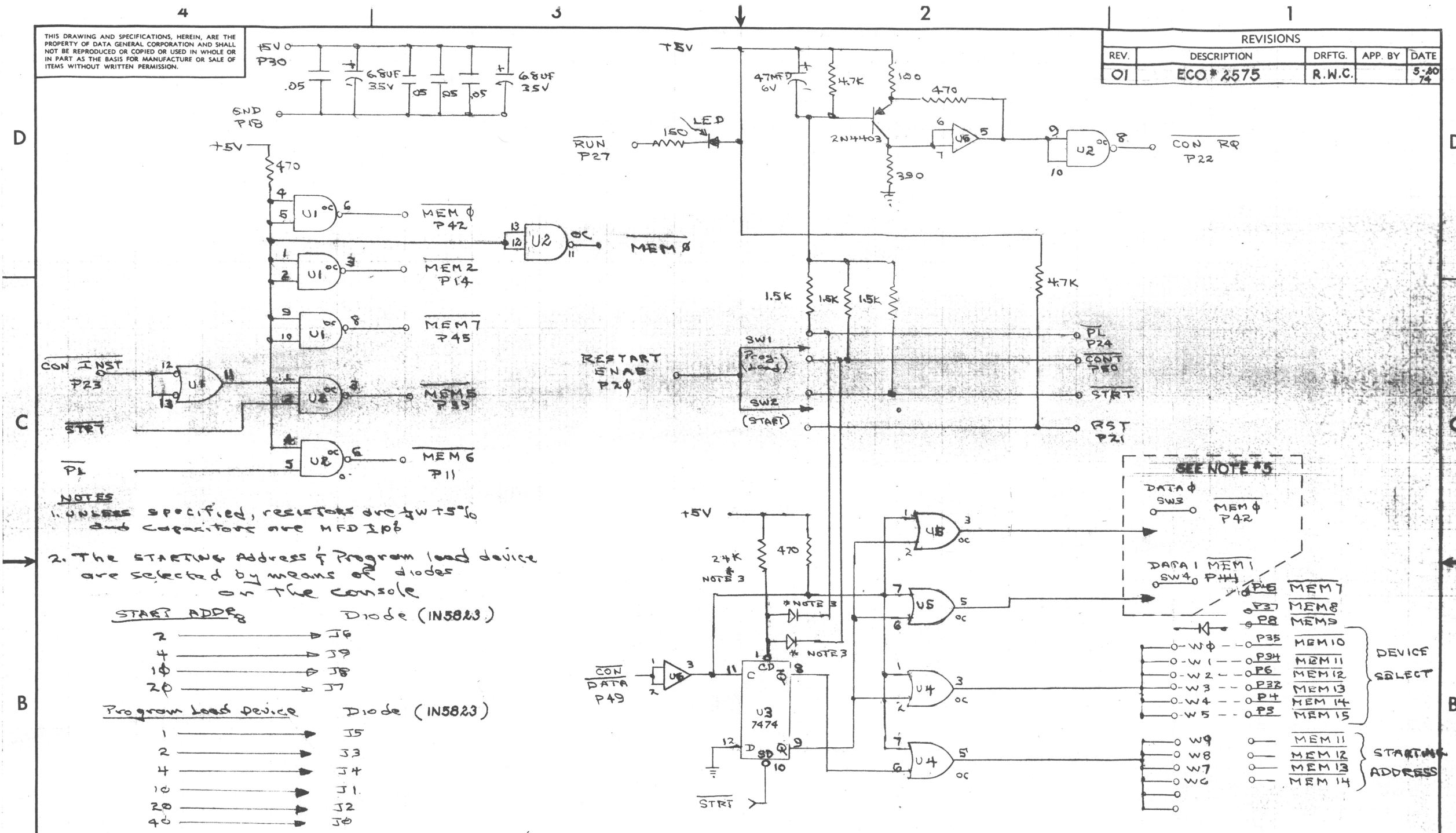


THIS DRAWING AND SPECIFICATIONS, HEREIN, ARE THE PROPERTY OF DATA GENERAL CORPORATION AND SHALL NOT BE REPRODUCED OR COPIED OR USED IN WHOLE OR IN PART AS THE BASIS FOR MANUFACTURE OR SALE OF ITEMS WITHOUT WRITTEN PERMISSION.

REVISIONS				
REV.	DESCRIPTION	DRFTG.	APP. BY	DATE
01	ECO # 2575	R.W.C.		5-20-74



NOTES
 1. UNLESS SPECIFIED, RESISTORS ARE $\pm 5\%$ AND CAPACITORS ARE MFD $\pm 10\%$
 2. THE STARTING ADDRESS & PROGRAM LOAD DEVICE ARE SELECTED BY MEANS OF DIODES ON THE CONSOLE

START ADDR	Diode (IN5823)
2	J6
4	J9
10	J8
20	J7

Program Load Device	Diode (IN5823)
1	J5
2	J3
4	J4
10	J1
20	J2
40	J0

- Delete Components For 800 & 1200 SERIES
 - 24K
 - FDH 600
 - FDH 600
- Extended START ADR CAN BE ACCOMPLISHED BY WIRING FROM JUMPER COMMON TO PIN OF CONNECTOR.
- OPTION: IF THE OPTION IS NOT SPECIFIED AND THE MACHINE IS TO PROGRAM LOAD FROM DCH DEVICE, U5 - PIN3 MUST BE JUMPED TO MEM 0.

QTY.	DESCRIPTION	PART NO.
	UNLESS OTHERWISE SPECIFIED— DIMENSIONS ARE IN INCHES TOLERANCES ON FRACTIONS DECIMALS ANGLES .XX ± .XXX ± .PARTS TO BE FREE FROM BURRS BREAK ALL EDGES .010	
	UNLESS OTHERWISE SPECIFIED ALL MACH SURFACES	
	MATERIAL	
	FINISH	
	SCALE	
DRWN	CHECKED	ENGINEER
		APPROVED
	FIRST USED ON	
	8139 12/10, 1200	
	SIZE	CODE
C	001	DRAWING NUMBER
		REV.
		01

DATA GENERAL CORPORATION
 SOUTHBORO, MASSACHUSETTS 01772

TITLE
TURN KEY CONSOLE UNIVERSAL