

REVISIONS				
REV.	DESCRIPTION	DRFTG.	APP BY	DATE
01	ECO # 1514	R.W.C.		5-23
02	ECO # 1814	R.W.C.		5-23
03	ECO # 2122	R.W.C.		11-27-73

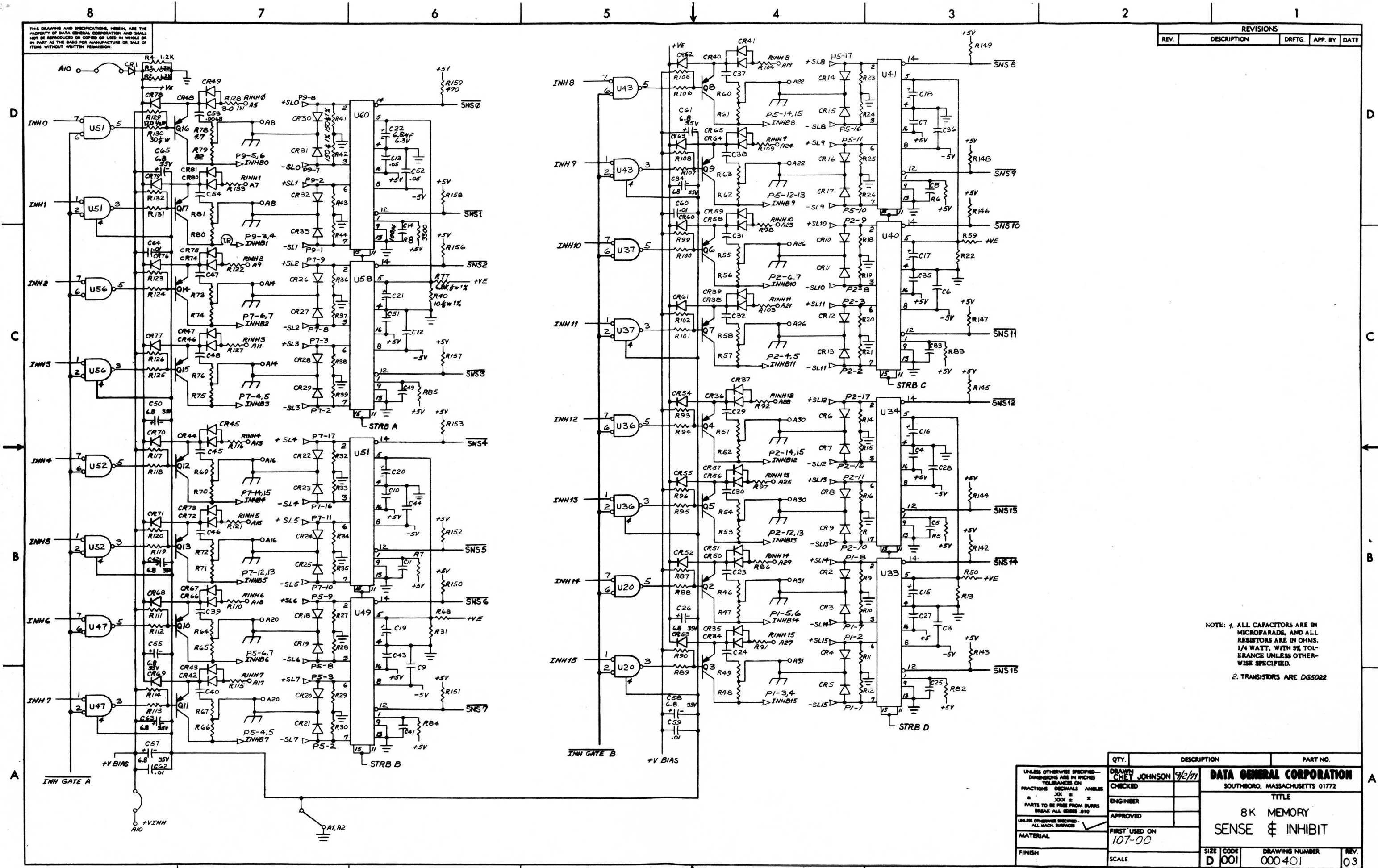
NOTE: ALL CAPACITORS ARE IN MICROFARADS, AND ALL RESISTORS ARE IN OHMS, 1/4 WATT, WITH 5% TOLERANCE UNLESS OTHERWISE SPECIFIED.

3124
3965
4024
4026
4127
1321 Prop

QTY.	DESCRIPTION	PART NO.
	DATA GENERAL CORPORATION	
	SOUTHBORO, MASSACHUSETTS 01772	
	TITLE	
	8K MEMORY	
	MA & MB REGISTER & CONTROL	
	1200, 1210, 1220, 1230	
	SIZE	CODE
	D	001
	DRAWING NUMBER	REV
	000401	03

THIS DRAWING AND SPECIFICATIONS HEREIN, ARE THE PROPERTY OF DATA GENERAL CORPORATION AND SHALL NOT BE REPRODUCED OR COPIED OR USED IN WHOLE OR IN PART AS THE BASIS FOR MANUFACTURE OR SALE OF ITEMS WITHOUT WRITTEN PERMISSION.

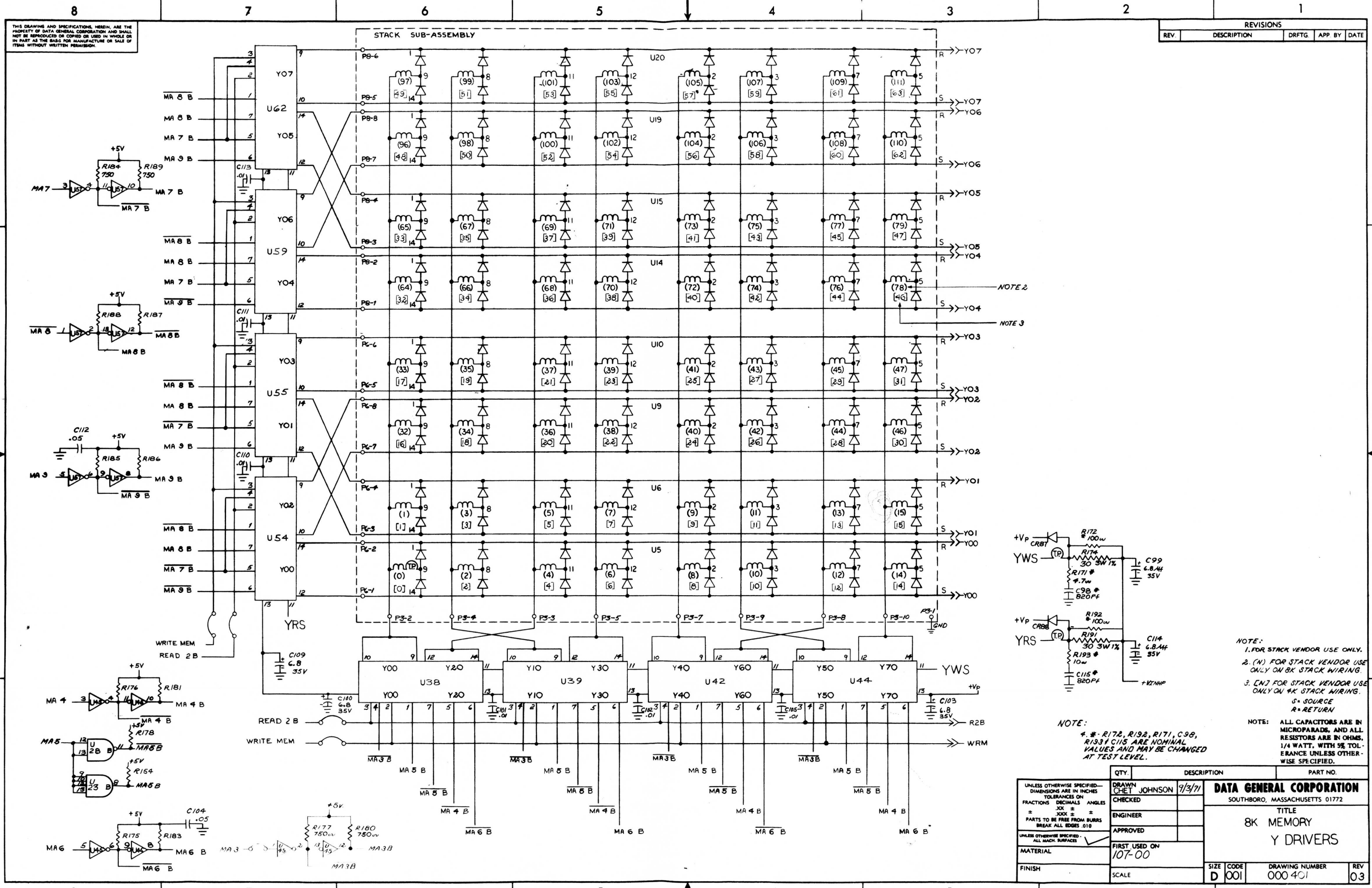
REVISIONS			
REV.	DESCRIPTION	DRFTG.	APP. BY DATE



NOTE: 1. ALL CAPACITORS ARE IN MICROFARADS, AND ALL RESISTORS ARE IN OHMS, 1/4 WATT, WITH 5% TOLERANCE UNLESS OTHERWISE SPECIFIED.
2. TRANSISTORS ARE DG5022

QTY.	DESCRIPTION	PART NO.

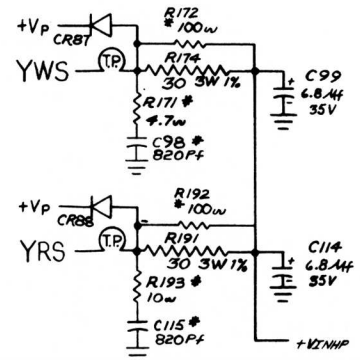
UNLESS OTHERWISE SPECIFIED - DIMENSIONS ARE IN INCHES - FRACTIONS DECIMALS ANGLES	DRAWN CHET JOHNSON gje/m	DATA GENERAL CORPORATION SOUTHBORO, MASSACHUSETTS 01772
TOLERANCES ON DIMENSIONS ARE IN INCHES - FRACTIONS DECIMALS ANGLES	CHECKED	
* 1 JOX *	ENGINEER	TITLE 8K MEMORY SENSE & INHIBIT
PARTS TO BE FREE FROM BURRS - BREAK ALL EDGES .010	APPROVED	
UNLESS OTHERWISE SPECIFIED - ALL MACH. SURFACES	FIRST USED ON 107-00	SIZE CODE D 001
MATERIAL	SCALE	DRAWING NUMBER 000401
FINISH		REV. 03



REVISONS			
REV.	DESCRIPTION	DRFTG.	APP. BY DATE

NOTE 2

NOTE 3



- NOTE:
1. FOR STACK VENDOR USE ONLY.
 2. (N) FOR STACK VENDOR USE ONLY ON 8K STACK WIRING.
 3. (N) FOR STACK VENDOR USE ONLY ON 4K STACK WIRING.
- S = SOURCE
R = RETURN

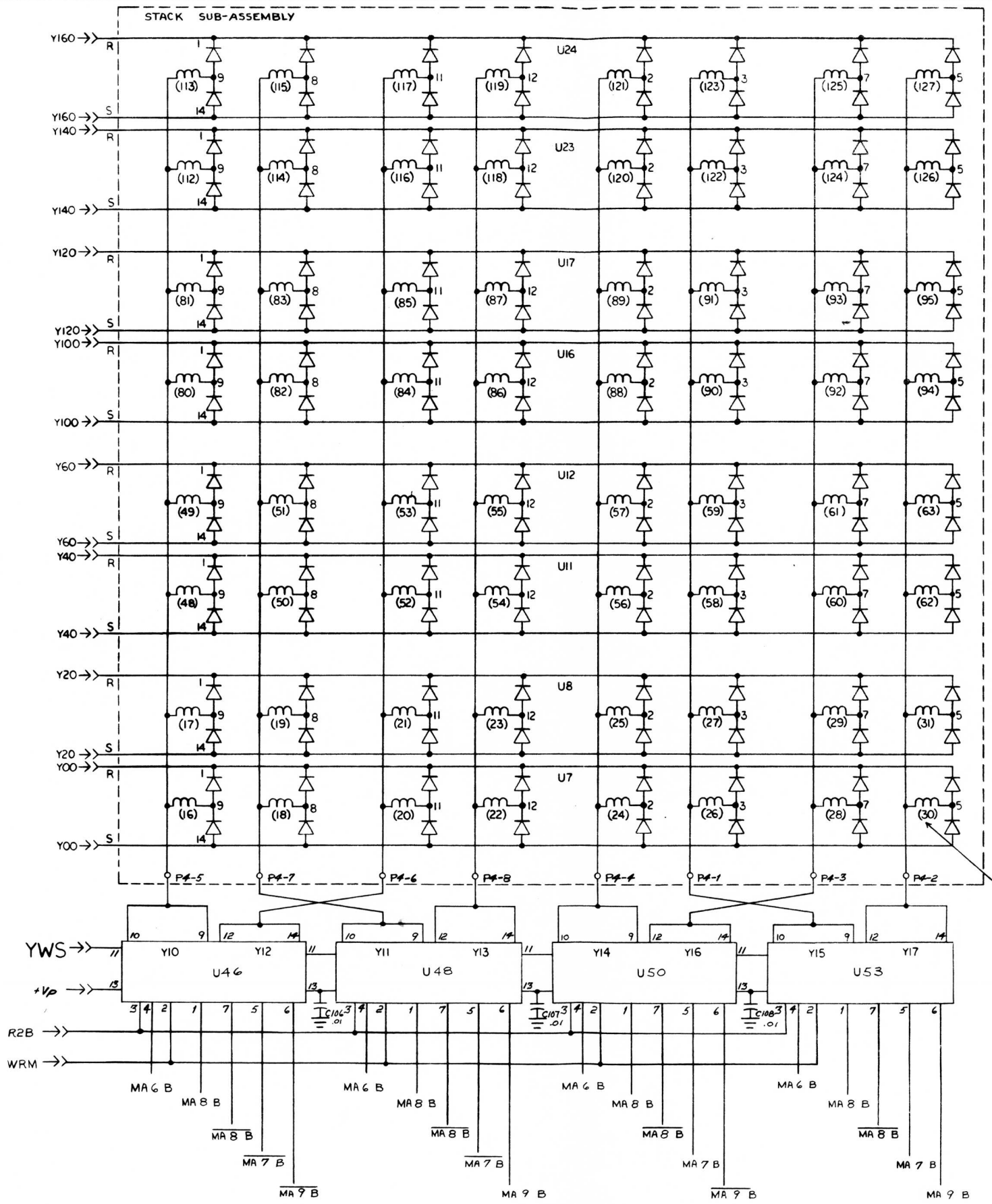
NOTE:
4. * R172, R192, R171, C98, R193 & C115 ARE NOMINAL VALUES AND MAY BE CHANGED AT TEST LEVEL.

QTY.	DESCRIPTION	PART NO.

UNLESS OTHERWISE SPECIFIED— DIMENSIONS ARE IN INCHES FRACTIONS DECIMALS ANGLES ± .005 ± .002 ± .010 PARTS TO BE FREE FROM BURRS BREAK ALL EDGES .010	DRAWN G-HET JOHNSON CHECKED ENGINEER APPROVED FIRST USED ON 107-00 FINISH SCALE	DATA GENERAL CORPORATION SOUTHBORO, MASSACHUSETTS 01772 TITLE 8K MEMORY Y DRIVERS SIZE D CODE 001 DRAWING NUMBER 000 401 REV 03
---	---	--

THIS DRAWING AND SPECIFICATIONS HEREIN ARE THE PROPERTY OF DATA GENERAL CORPORATION AND SHALL NOT BE REPRODUCED OR COPIED OR USED IN WHOLE OR IN PART AS THE BASIS FOR MANUFACTURE OR SALE OF ITEMS WITHOUT WRITTEN PERMISSION.

REVISIONS				
REV.	DESCRIPTION	DRFTG.	APP. BY	DATE



NOTE:-
1. FOR STACK VENDOR USE ONLY.

NOTE: ALL CAPACITORS ARE IN MICROFARADS, AND ALL RESISTORS ARE IN OHMS. 1/4 WATT, WITH 5% TOLERANCE UNLESS OTHERWISE SPECIFIED.

QTY.	DESCRIPTION	PART NO.

UNLESS OTHERWISE SPECIFIED— DIMENSIONS ARE IN INCHES TOLERANCES ON FRACTIONS DECIMALS ANGLES ± .005 ± .010 ± .015 PARTS TO BE FREE FROM BURRS BREAK ALL EDGES .010	DRAWN CHET JOHNSON 9/3/71	DATA GENERAL CORPORATION SOUTHBORO, MASSACHUSETTS 01772
UNLESS OTHERWISE SPECIFIED— ALL MACH. SURFACES	CHECKED	
MATERIAL	ENGINEER	TITLE 8K MEMORY Y DRIVERS
FINISH	APPROVED	DRAWING NUMBER 000401
	FIRST USED ON 107-00	REV 03
	SCALE	SIZE CODE D 001