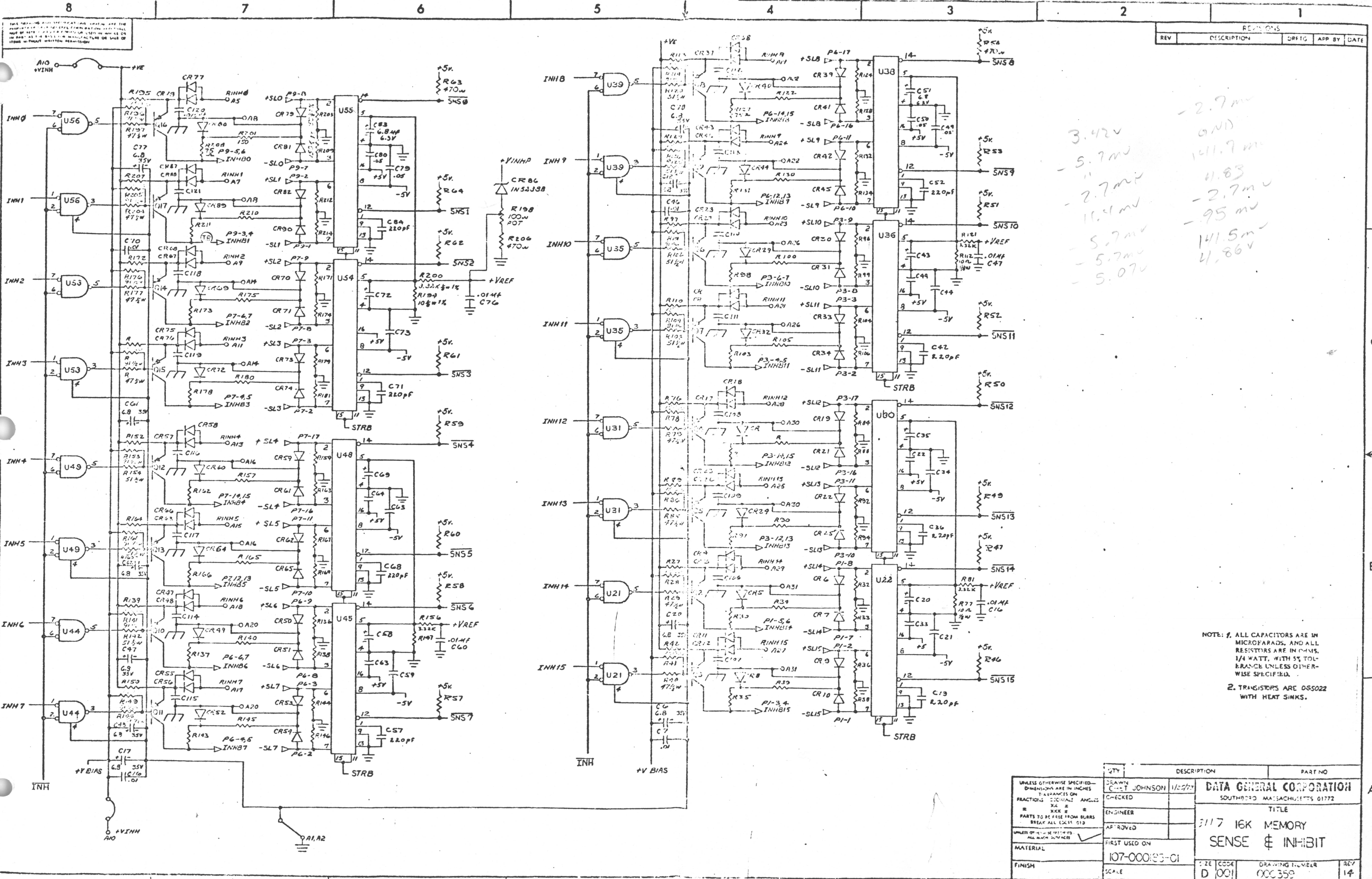


REVISIONS				
REV	DESCRIPTION	DATE	APP	BY
01	ECO # 2511			
02	ECO # 2511			
03	ECO # 2511			
04	ECO # 2511			
05	ECO # 2511			
06	ECO # 2511			
07	ECO # 2511			
08	ECO # 2511			
09	ECO # 2511			
10	ECO # 2511			
11	ECO # 2511			
12	ECO # 2511			
13	ECO # 2511			
14	ECO # 2565			

NOTE: ALL CAPACITORS ARE IN MICROFARADS, AND ALL RESISTORS ARE IN OHMS, 1/4 WATT, WITH 5% TOLERANCE UNLESS OTHERWISE SPECIFIED.

QTY	DESCRIPTION	PART NO.
	DATA GENERAL CORPORATION	
	SOUTHWEST MASSACHUSETTS 01772	
	TITLE	
	2/17 16K MEMORY	
	MA1MB REGISTER & CONTROL	
	FIRST USED ON	
	107-00065-01	
	DATE	
	D 0011	000369
		18



REVISIONS				
REV	DESCRIPTION	ORIG	APP BY	DATE

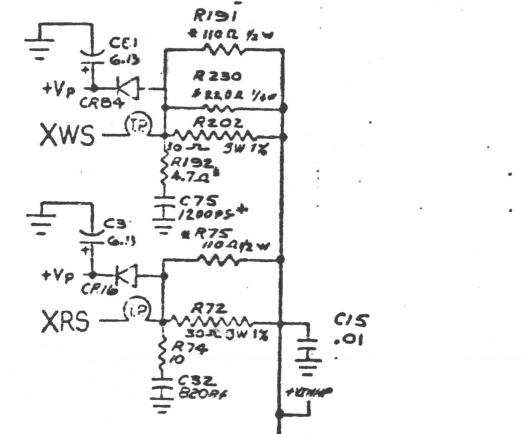
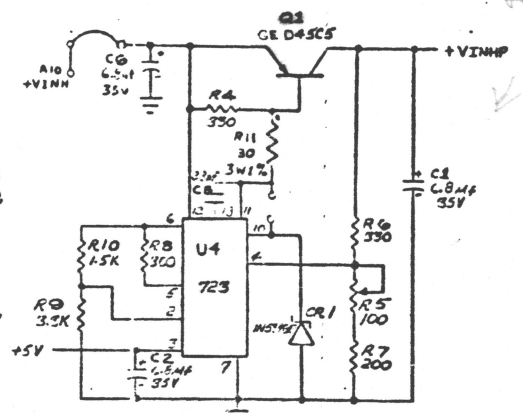
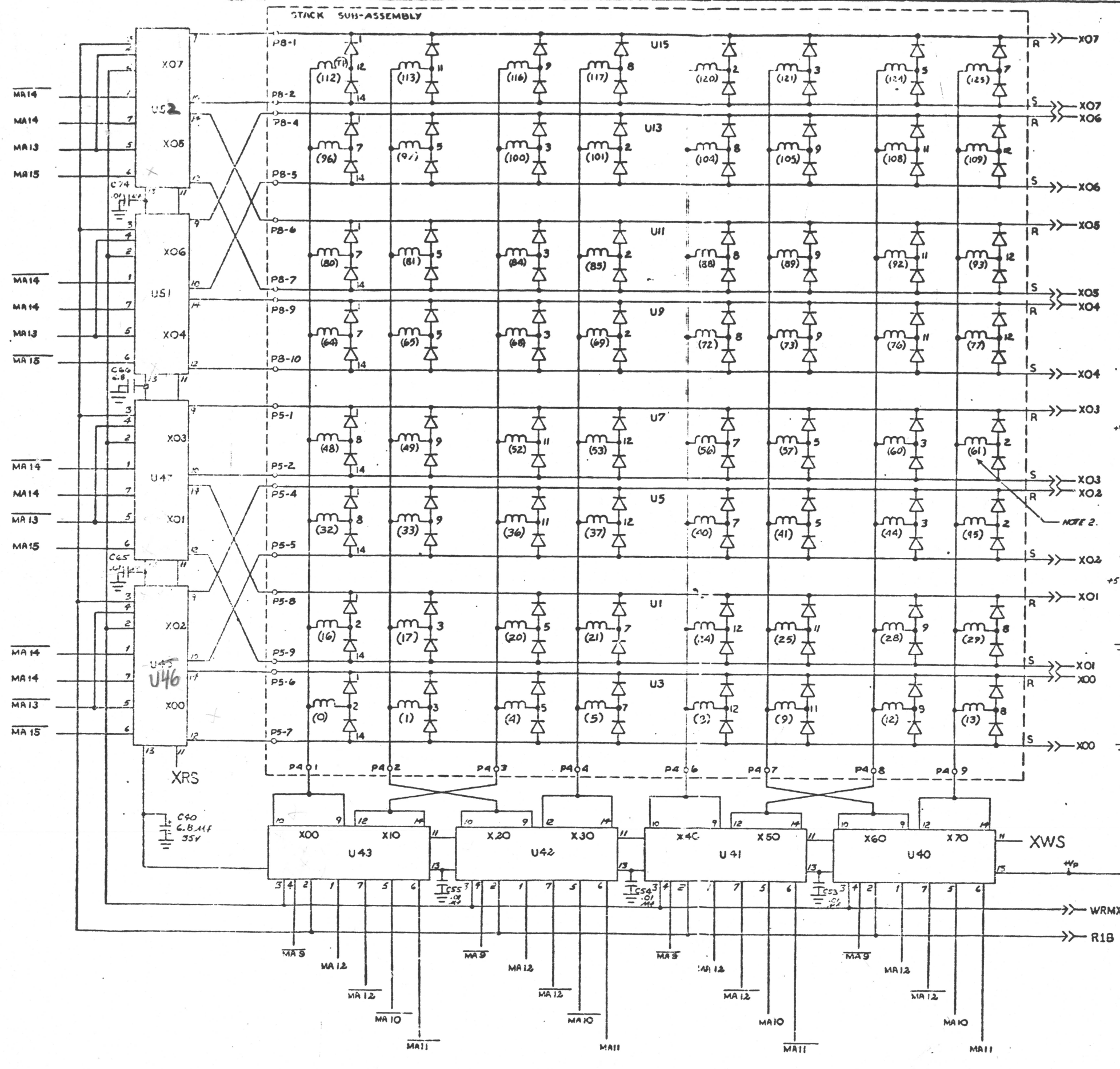
NOTE: 1. ALL CAPACITORS ARE IN MICROFARADS, AND ALL RESISTORS ARE IN OHMS, 1/4 WATT, WITH 5% TOLERANCE UNLESS OTHERWISE SPECIFIED.
2. TRANSISTORS ARE OSS022 WITH HEAT SINKS.

UNLESS OTHERWISE SPECIFIED—DIMENSIONS ARE IN INCHES—FRACTIONS—DECIMAL ANGLES—X.XX X.XX X.XX X.XX PARTS TO BE MADE FROM BLANKS—BREAK ALL CORNERS 25° UNLESS OTHERWISE SPECIFIED	QTY	DESCRIPTION	PART NO
	DRAWN	JOHNSON	11/2/73
	CHECKED		
	ENGINEER		
	APPROVED		
MATERIAL	FIRST USED ON	107-000193-C1	
FINISH	SCALE	D 1001	
		DATA GENERAL CORPORATION SOUTHBRIDGE, MASSACHUSETTS 01772	
		TITLE 3117 16K MEMORY SENSE & INHIBIT	
		DRAWING NUMBER	REV
		000359	14

D
C
B
A

THIS DRAWING AND ANY REVISIONS THEREON ARE THE PROPERTY OF DATA GENERAL CORPORATION AND SHALL NOT BE REPRODUCED OR TRANSMITTED IN ANY FORM OR BY ANY MEANS, ELECTRONIC OR MECHANICAL, INCLUDING PHOTOCOPYING, RECORDING, OR BY ANY INFORMATION STORAGE AND RETRIEVAL SYSTEM, WITHOUT WRITTEN PERMISSION.

REVISIONS				
REV	DESCRIPTION	DRFTG	APP BY	DATE



470
466
470

NOTE:
1. C₁R² MAY BE VARIED AT TEST LEVEL.
2. FOR STACK VENDOR USE ONLY.

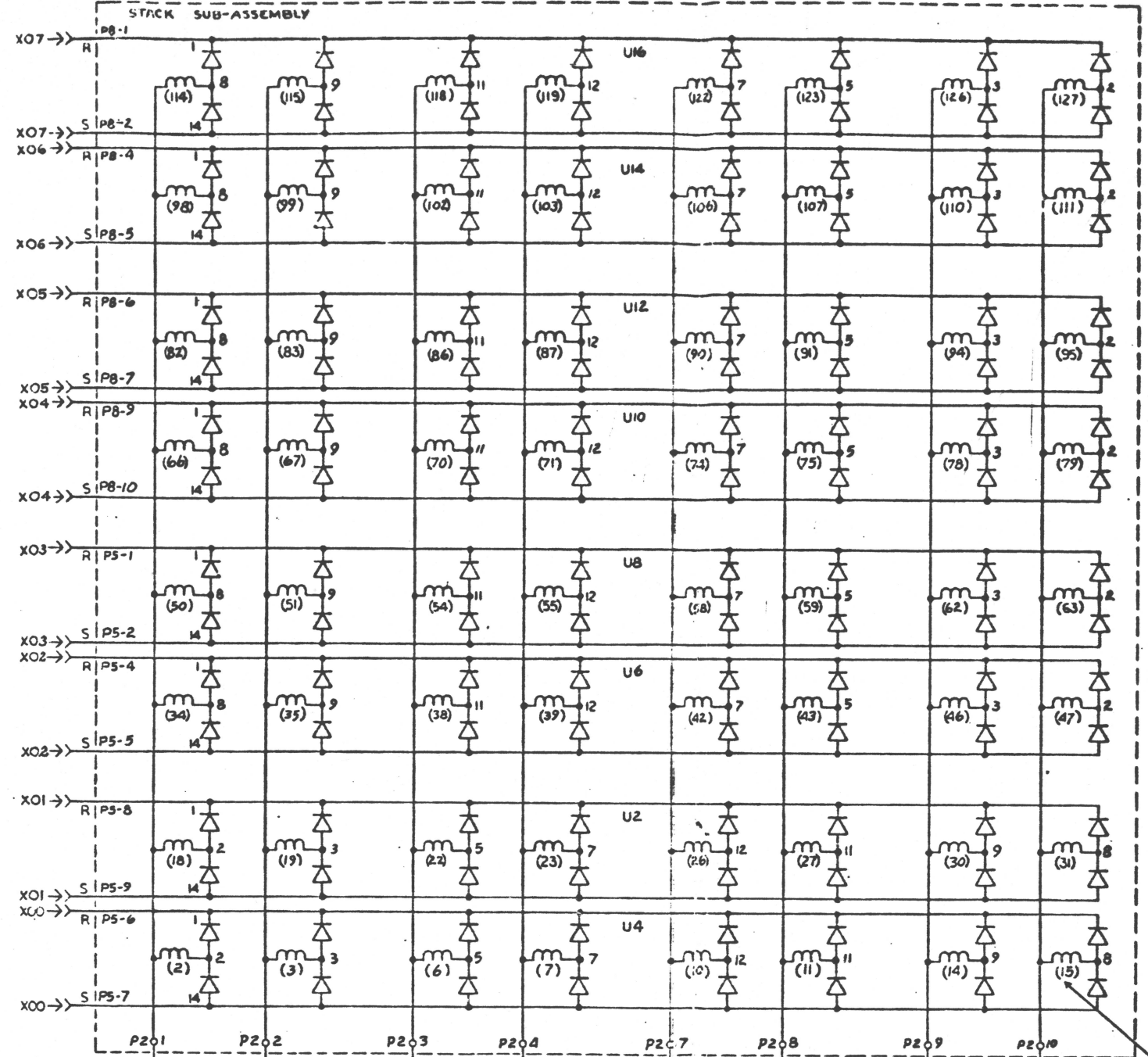
NOTE: ALL CAPACITORS ARE IN MICROFARADS, AND ALL RESISTORS ARE IN OHMS, 1/4 WATT, WITH 5% TOLERANCE UNLESS OTHERWISE SPECIFIED.

QTY	DESCRIPTION	PART NO.

UNLESS OTHERWISE SPECIFIED— DIMENSIONS ARE IN INCHES— TOLERANCES ON FRACTIONS DECIMALS ANGLES ° ' " ± . ± . ± . PARTS TO BE FILED FROM BORDERS BREAK ALL EDGES 0.015	DRAWN T. JOHNSON 11/26/77 CHECKED ENGINEER APPROVED FIRST USED ON MATERIAL FINISH	DATA GENERAL CORPORATION SOUTHBORO, MASSACHUSETTS 01772 TITLE 16K MEMORY 2117 X DRIVERS SIZE CODE D 001
--	---	---

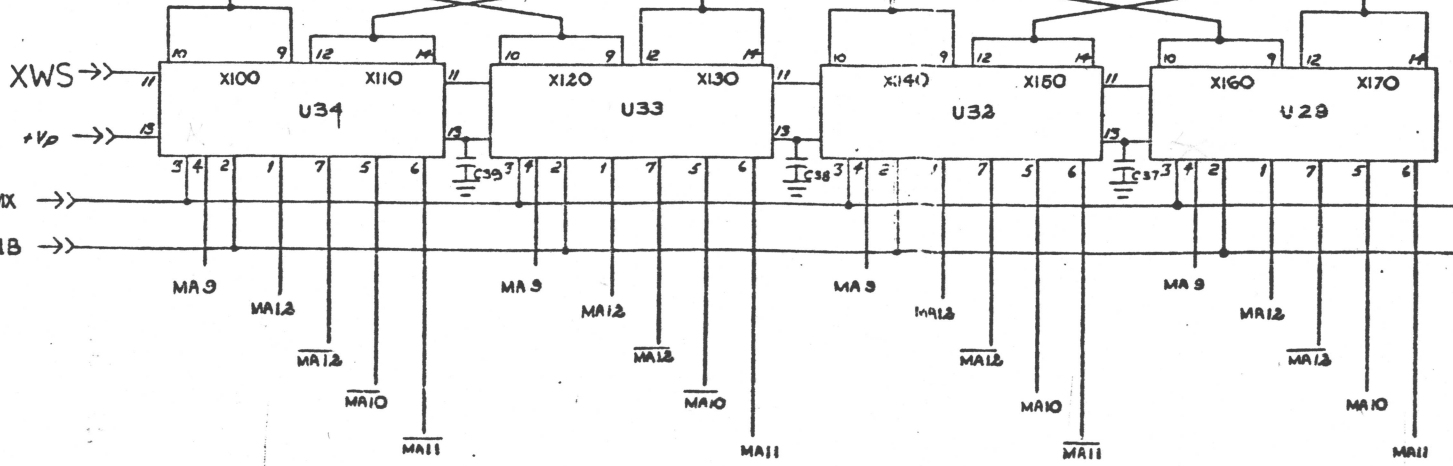
THIS DRAWING AND THE ACTING THEREON ARE THE PROPERTY OF DATA GENERAL CORPORATION AND SHALL NOT BE REPRODUCED OR TRANSMITTED IN ANY FORM OR BY ANY MEANS, ELECTRONIC OR MECHANICAL, INCLUDING PHOTOCOPYING, RECORDING, OR BY ANY INFORMATION STORAGE AND RETRIEVAL SYSTEM, WITHOUT THE WRITTEN PERMISSION OF DATA GENERAL CORPORATION.

REVISIONS			
REV	DESCRIPTION	DRFTG	APP BY DATE



U33

NOTE 1
REL. ERROR
BIT 14 ADDR 10045



NOTE:
2. FOR STACK VENDOR USE ONLY.

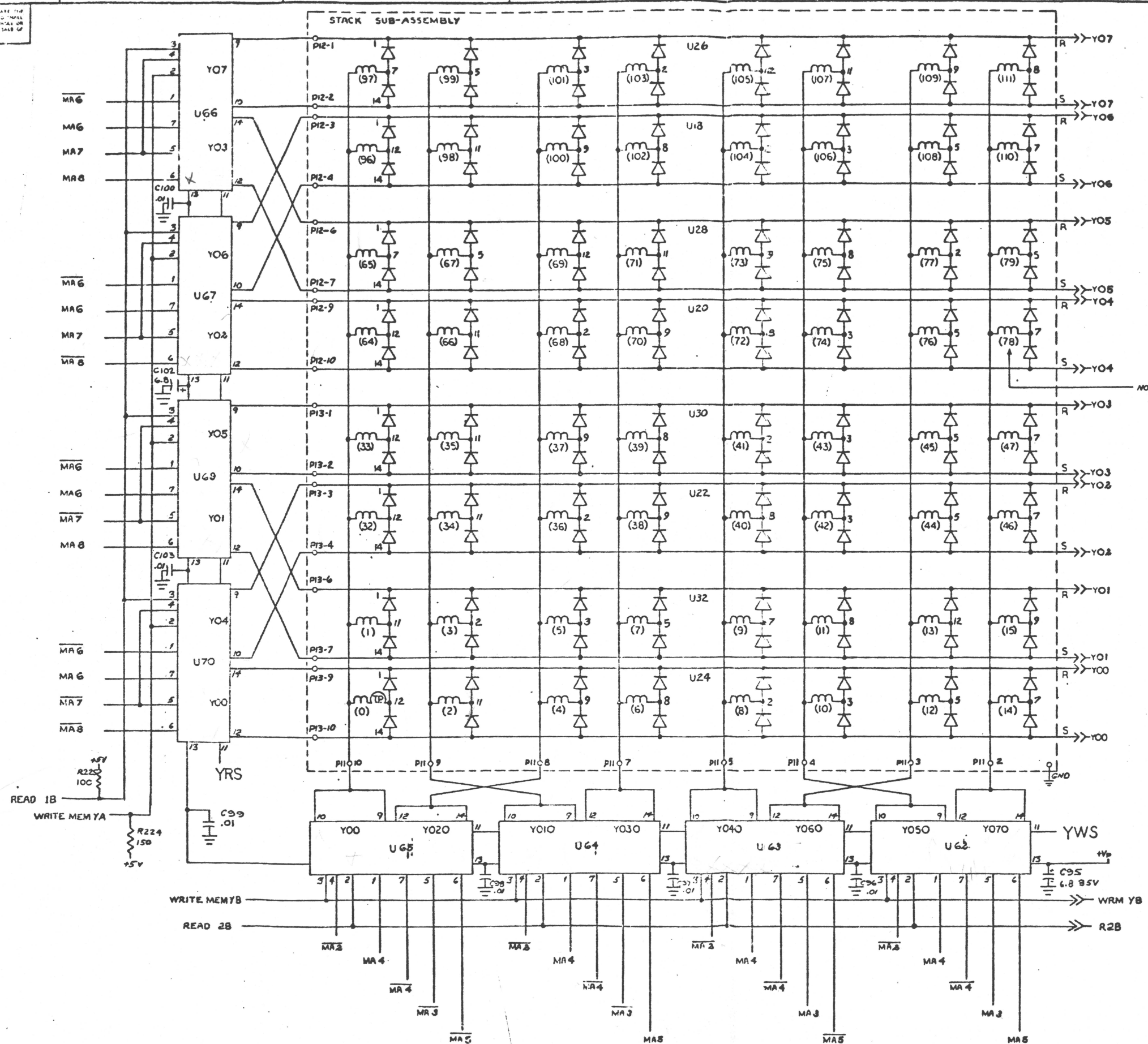
NOTE: ALL CAPACITORS ARE IN MICROFARADS. AND ALL RESISTORS ARE IN OHMS. 1/4 WATT. WITH 5% TOLERANCE UNLESS OTHERWISE SPECIFIED.

QTY	DESCRIPTION	PART NO.

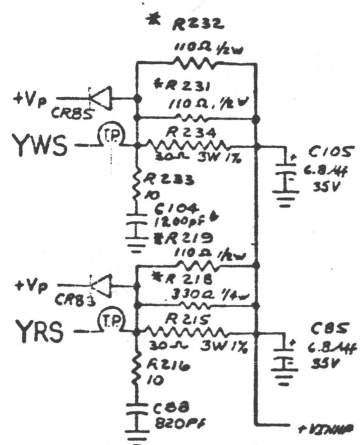
<small>UNLESS OTHERWISE SPECIFIED, DIMENSIONS ARE IN INCHES. FRACTIONS (3/16) SHALL BE ANGLES. PARTS TO BE MADE FROM BURS PER PAR. 1.1. ESDS 010. UNLESS OTHERWISE NOTED, ALL MACH SURFACES.</small>	<small>DATE: 11/25/75</small> <small>DESIGNED BY: JOHNSON</small> <small>CHECKED BY: []</small> <small>ENGINEER: []</small> <small>APPROVED BY: []</small> <small>FIRST USED ON: []</small>	DATA GENERAL CORPORATION <small>SOUTHBORO, MASSACHUSETTS 01772</small> TITLE 16K MEMORY 8117 X DRIVERS
<small>MATERIAL: []</small> <small>FINISH: []</small>	<small>107-000185-01</small> <small>SCALE: []</small>	<small>SIZE: D 001</small> <small>DRAWING NUMBER: 000359</small> <small>REV: 1/7</small>

REV	DESCRIPTION	DRYTG	APP BY	DATE

THE MEASUREMENTS AND TESTS AT THE MANUFACTURE ARE THE RESPONSIBILITY OF THE MANUFACTURER AND SHALL BE MADE IN ACCORDANCE WITH THE SPECIFICATIONS AND INSTRUCTIONS ON THE PARTS LIST. THE MANUFACTURER SHALL BE RESPONSIBLE FOR THE PARTS LIST AND THE FACTORY CO SHALL BE RESPONSIBLE FOR THE PARTS LIST.



NOTE 2



NOTE:
 R₀
 1 RESISTORS SELECTED AT TEST LEVEL.
 2 FOR STACK VENDOR USE ONLY.

S=SOURCE
 R=RETURN

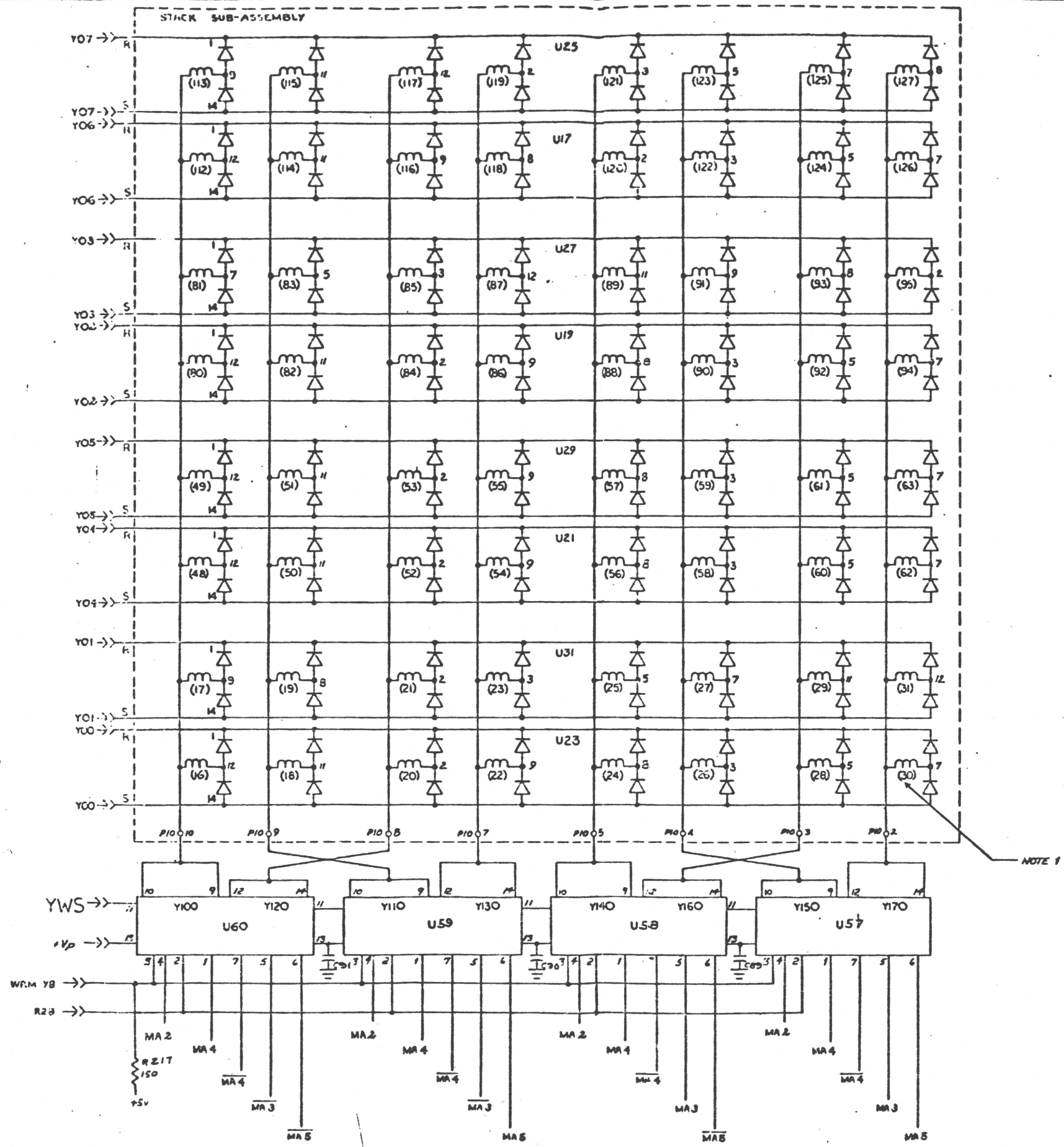
NOTE: ALL CAPACITORS ARE IN MICROFARADS, AND ALL RESISTORS ARE IN OHMS, 1/4 WATT, WITH 5% TOLERANCE UNLESS OTHERWISE SPECIFIED.

QTY.	DESCRIPTION	PART NO.

UNLESS OTHERWISE SPECIFIED—DIMENSIONS ARE IN INCHES TOLERANCES ON FRACTIONS DECIMALS ANGLES X .015 X .030 PARTS TO BE FREE FROM BURRS BREAK ALL EDGES .015 UNLESS OTHERWISE SPECIFIED—ALL SURFACES	DRAWN C.M.T. JOHNSON 1/25/73	DATA GENERAL CORPORATION SOUTHBORO MASSACHUSETTS 01772
CHECKED	ENGINEER	TITLE 16K MEMORY 8117 Y DRIVERS
APPROVED	FIRST USED ON	107-000185-01
MATERIAL	SCALE	SHEET CODE D 001
FINISH		DRAWING NUMBER 000339
		REV 14

THIS DRAWING IS THE PROPERTY OF DATA GENERAL CORPORATION. IT IS TO BE USED ONLY FOR THE PROJECT AND FOR WHICH IT WAS PREPARED. IT IS NOT TO BE REPRODUCED OR TRANSMITTED IN ANY FORM OR BY ANY MEANS, ELECTRONIC OR MECHANICAL, INCLUDING PHOTOCOPYING, RECORDING, OR BY ANY INFORMATION STORAGE AND RETRIEVAL SYSTEM, WITHOUT THE WRITTEN PERMISSION OF DATA GENERAL CORPORATION.

REVISIONS				
REV	DESCRIPTION	DATE	APP BY	DATE



NOTE:
1. FOR STICK VENDOR USE ONLY.

NOTE: ALL CAPACITORS ARE IN MICROFARADS AND ALL RESISTORS ARE IN OHMS, 1/4 WATT, WITH 5% TOLERANCE UNLESS OTHERWISE SPECIFIED.

UNLESS OTHERWISE SPECIFIED—DIMENSIONS ARE IN INCHES—FRACTIONS—DECIMALS—ANGLES 1/16 3/32 1/8 1/4 3/8 1/2 5/8 3/4 7/8 1 1 1/4 1 1/2 1 3/4 2 2 1/4 2 1/2 3 3 1/4 3 1/2 4 4 1/4 4 1/2 5 5 1/4 5 1/2 6 6 1/4 6 1/2 7 7 1/4 7 1/2 8 8 1/4 8 1/2 9 9 1/4 9 1/2 10 PARTS TO BE SHOWN FROM DIMENSIONS—BREAK ALL EDGES SHARP UNLESS OTHERWISE SPECIFIED—MATERIAL FINISH	DRAWN: JOHNSON CHECKED: ENGINEER: APPROVED: FIRST USED ON: MATERIAL: FINISH:	DATE: 1/25/73 DATA GENERAL CORPORATION SOUTH-BORO, MASSACHUSETTS 01772 TITLE: 16K MEMORY Y DRIVERS 8117 SIZE: D CODE: 001 DRAWING NUMBER: 000753 REV: 14	QTY: DESCRIPTION: PART NO:
---	--	--	----------------------------------