

REVISIONS				
REV	DESCRIPTION	DRFTG	APP BY	DATE
01	ECO # 1600	R.W.C.		7/72
02	ECO # 1611	R.W.C.		7/72
03	ECO # 1614	R.W.C.		7/72
04	ECO # 1740	R.W.C.		7/72
05	ECO # 1752	R.W.C.		7/72
06	ECO # 1959	R.W.C.		7/72
07	ECO # 2000	R.W.C.		7/72
08	ECO # 2049	R.W.C.		7/72
09	ECO # 2050	R.W.C.		7/72
10	ECO # 2153	R.W.C.		7/72
11	ECO # 2397	R.W.C.		7/72
12	ECO # 2476A	R.W.C.		7/72

NOTE: ALL CAPACITORS ARE IN MICROFARADS, AND ALL RESISTORS ARE IN OHMS, 1/4 WATT, WITH 5% TOLERANCE UNLESS OTHERWISE SPECIFIED.

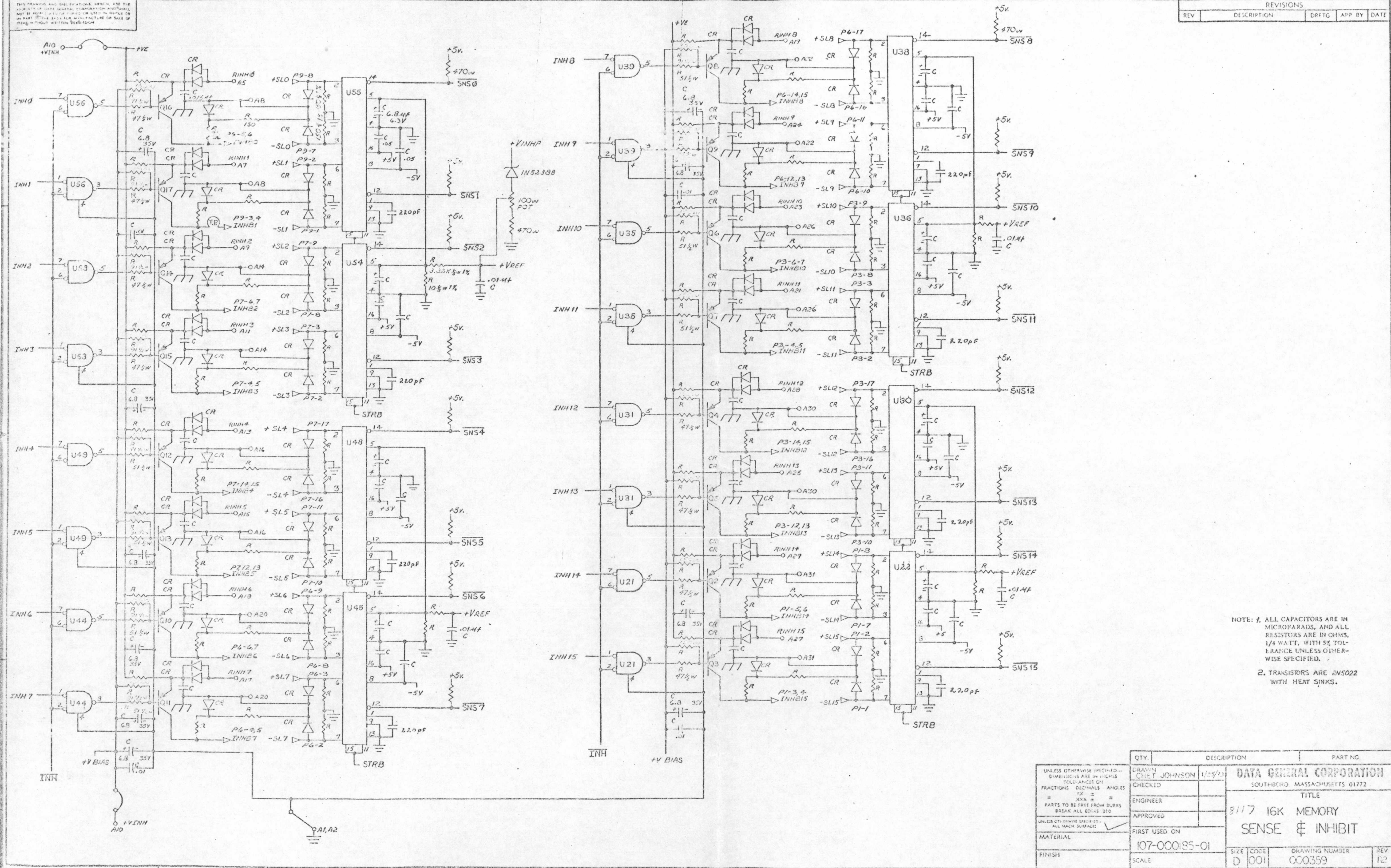
QTY	DESCRIPTION	PART NO
	DRAWN	
	CHEK	
	JOHNSON	
	1/25/72	
	CHECKED	
	ENGINEER	
	APPROVED	
	FIRST USED ON	
	107-000185-01	
	MATERIAL	
	FINISH	
	SCALE	
	SIZE	
	CODE	
	DRAWING NUMBER	
	REV	
	000359	
	12	

DATA GENERAL CORPORATION  
SCUTSBORO, MASSACHUSETTS 01772  
TITLE  
2117 16K MEMORY  
MA & MB REGISTER & CONTROL



THIS DRAWING AND SPECIFICATIONS HEREIN ARE THE PROPERTY OF DATA GENERAL CORPORATION AND SHALL NOT BE REPRODUCED, COPIED, OR USED IN ANY MANNER WITHOUT WRITTEN PERMISSION.

REVISIONS				
REV	DESCRIPTION	DRFTG	APP BY	DATE



NOTE: 1. ALL CAPACITORS ARE IN MICROFARADS, AND ALL RESISTORS ARE IN OHMS, 1/4 WATT, WITH 5% TOLERANCE UNLESS OTHERWISE SPECIFIED.  
 2. TRANSISTORS ARE 2N5022 WITH HEAT SINKS.

QTY	DESCRIPTION	PART NO

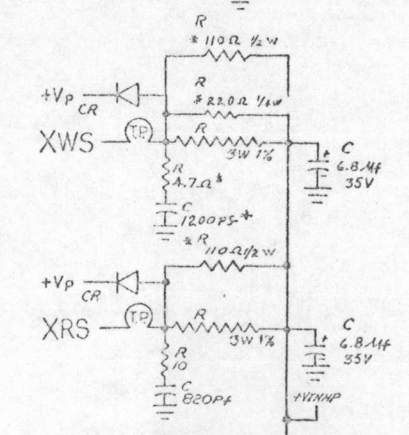
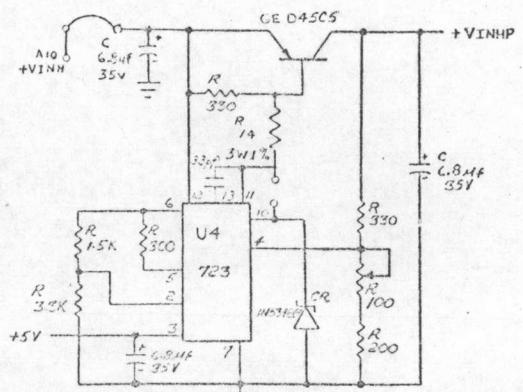
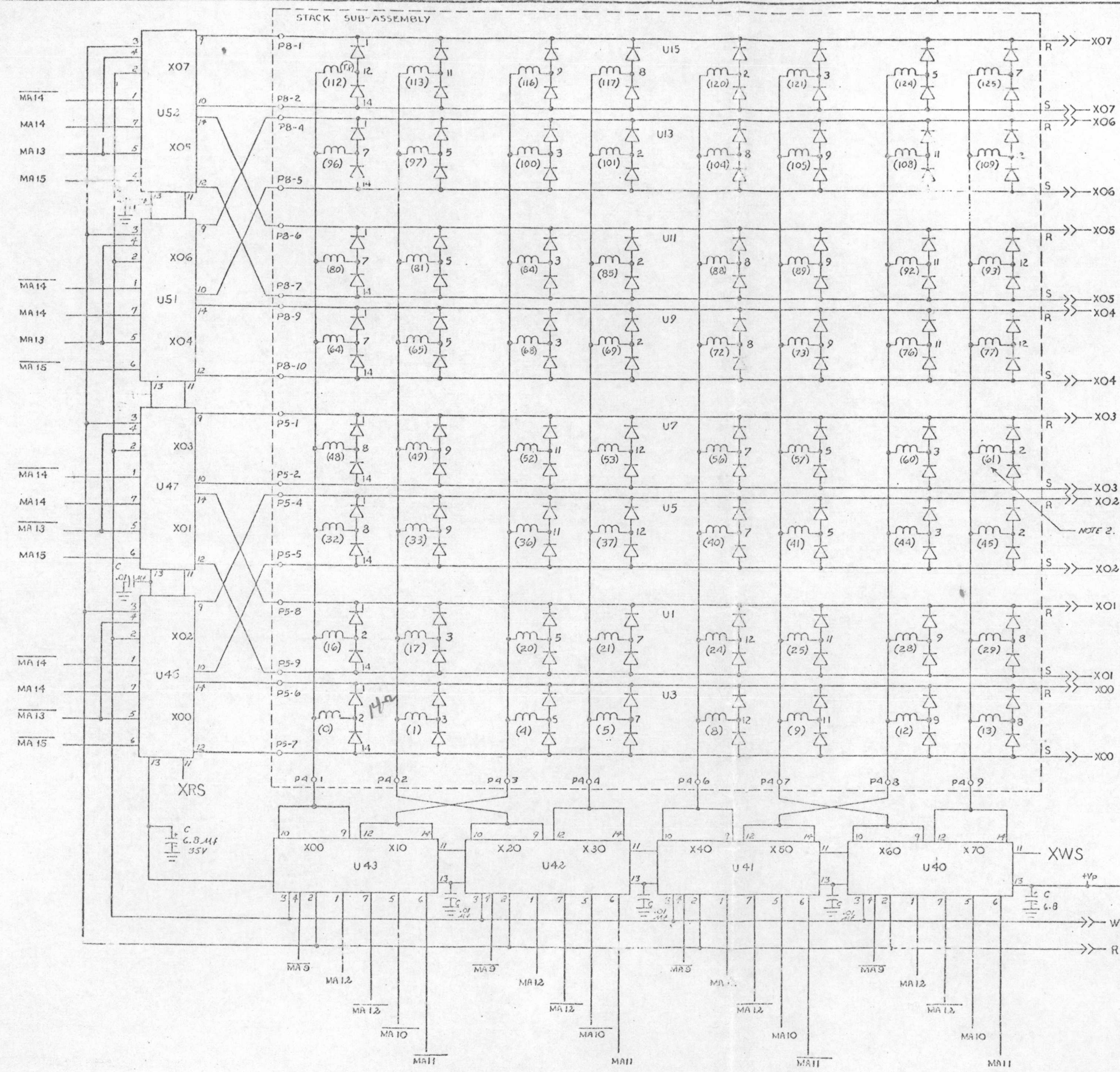
  

UNLESS OTHERWISE SPECIFIED - DIMENSIONS ARE IN INCHES TOLERANCES ON FRACTIONS DECIMALS ANGLES	CHECKED	DATE	DATA GENERAL CORPORATION SOUTHBORO, MASSACHUSETTS 01772
XXX = PARTS TO BE FREE FROM BURRS BREAK ALL EDGES D10	ENGINEER		
UNLESS OTHERWISE SPECIFIED - ALL MACH SURFACES	APPROVED		TITLE
MATERIAL	FIRST USED ON		8117 16K MEMORY SENSE & INHIBIT
FINISH	SCALE		107-000185-01
			SIZE CODE DRAWING NUMBER REV D 001 000359 12



THIS DRAWING AND ITS CONTENTS HEREIN ARE THE PROPERTY OF DATA GENERAL CORPORATION AND SHALL NOT BE REPRODUCED BY ANY MEANS OR IN ANY MANNER WITHOUT WRITTEN PERMISSION.

REVISIONS			
REV	DESCRIPTION	DRFTG	APP BY DATE



NOTE:  
 1. C/R MAY BE VARIED AT TEST LEVEL.  
 2. FOR STACK VENDOR USE ONLY.

NOTE: ALL CAPACITORS ARE IN MICROFARADS, AND ALL RESISTORS ARE IN OHMS, 1/4 WATT, WITH 5% TOL. UNLESS OTHERWISE SPECIFIED.

QTY	DESCRIPTION	PART NO

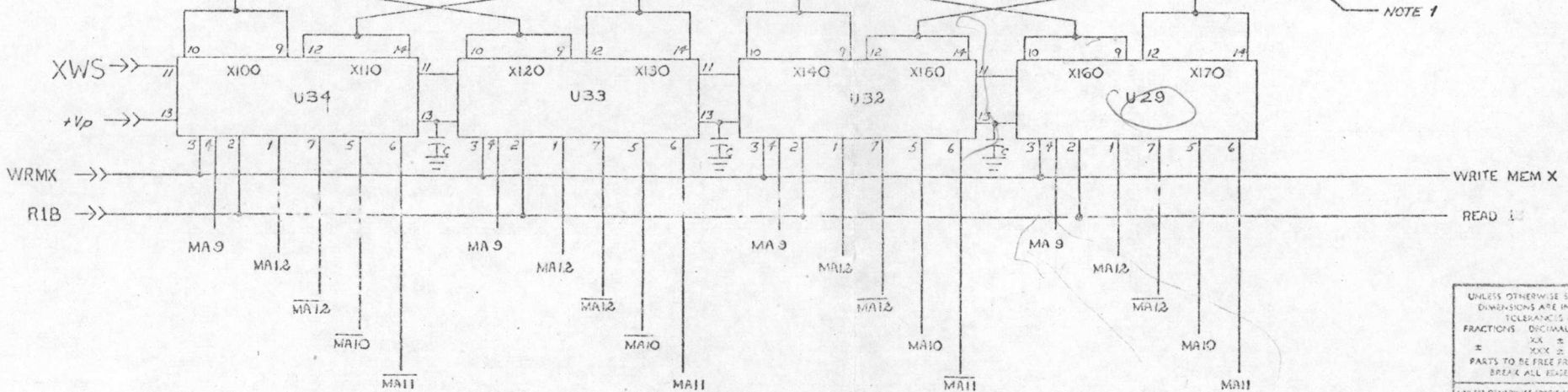
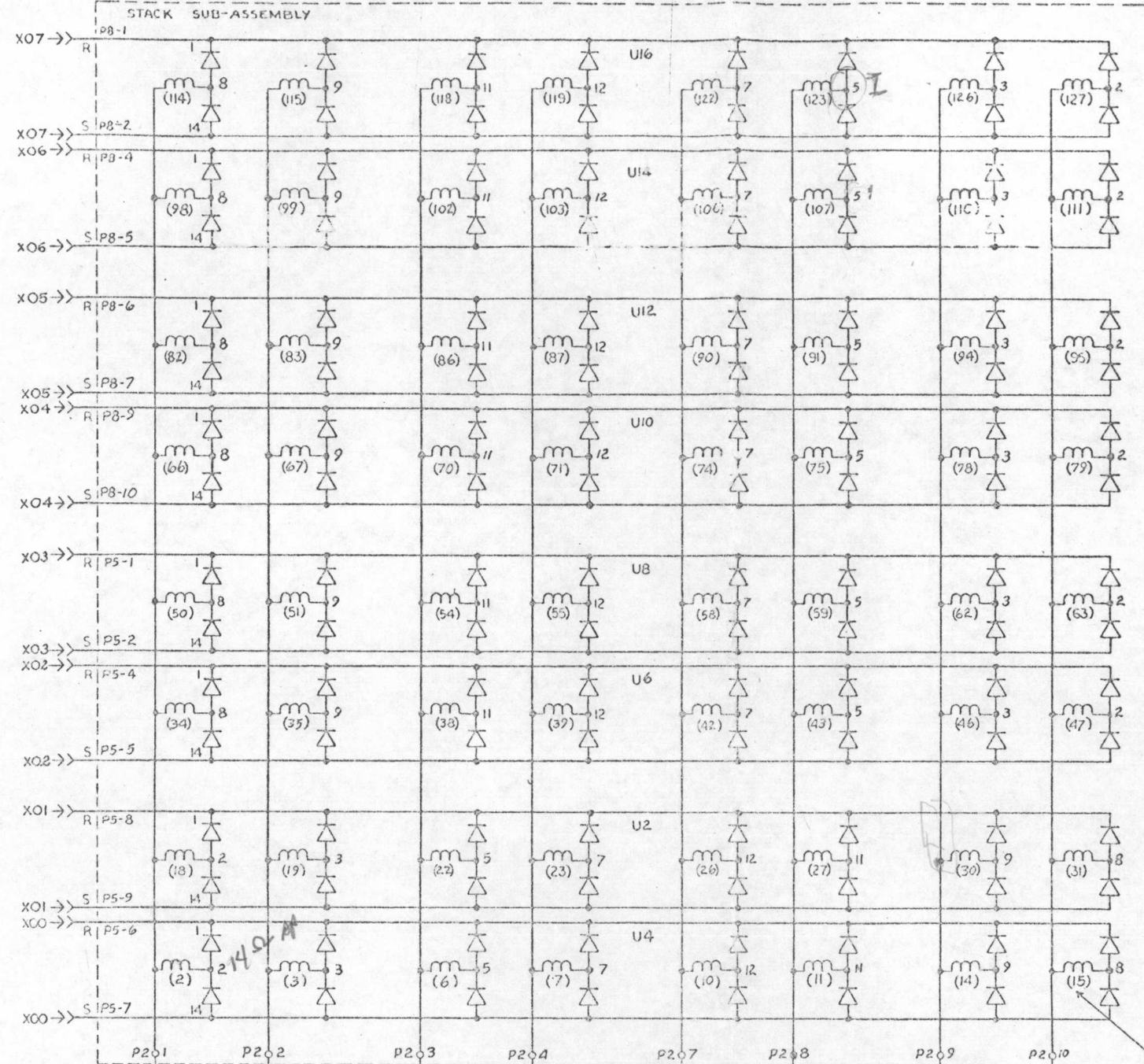
  

UNLESS OTHERWISE SPECIFIED— DIMENSIONS ARE IN INCHES— TOLERANCES ON FRACTIONS DECIMALS ANGLES XX ± XX ± * PARTS TO BE FREE FROM BURRS BREAK ALL EDGES 0.010	DRAWN JOHNSON CHECKED ENGINEER APPROVED FIRST USED ON 107-000185-01 SCALE	DATA GENERAL CORPORATION SOUTHBORO, MASSACHUSETTS 01772 TITLE 16K MEMORY 8117 X DRIVERS SIZE CODE D 001 DRAWING NUMBER 000359 REV 12
--	--	--



REVISIONS			
REV	DESCRIPTION	DRFTG	APP BY DATE

THIS DRAWING AND SPECIFICATIONS HERIN ARE THE PROPERTY OF DATA GENERAL CORPORATION AND SHALL NOT BE REPRODUCED OR TRANSMITTED IN ANY FORM OR BY ANY MEANS, ELECTRONIC OR MECHANICAL, INCLUDING PHOTOCOPYING, RECORDING, OR BY ANY INFORMATION STORAGE AND RETRIEVAL SYSTEM, WITHOUT WRITTEN PERMISSION.



NOTE:-  
1. FOR STACK VENDOR USE ONLY.

NOTE: ALL CAPACITORS ARE IN MICROFARADS, AND ALL RESISTORS ARE IN OHMS, 1/4 WATT, WITH 5% TOLERANCE UNLESS OTHERWISE SPECIFIED.

QTY	DESCRIPTION	PART NO.

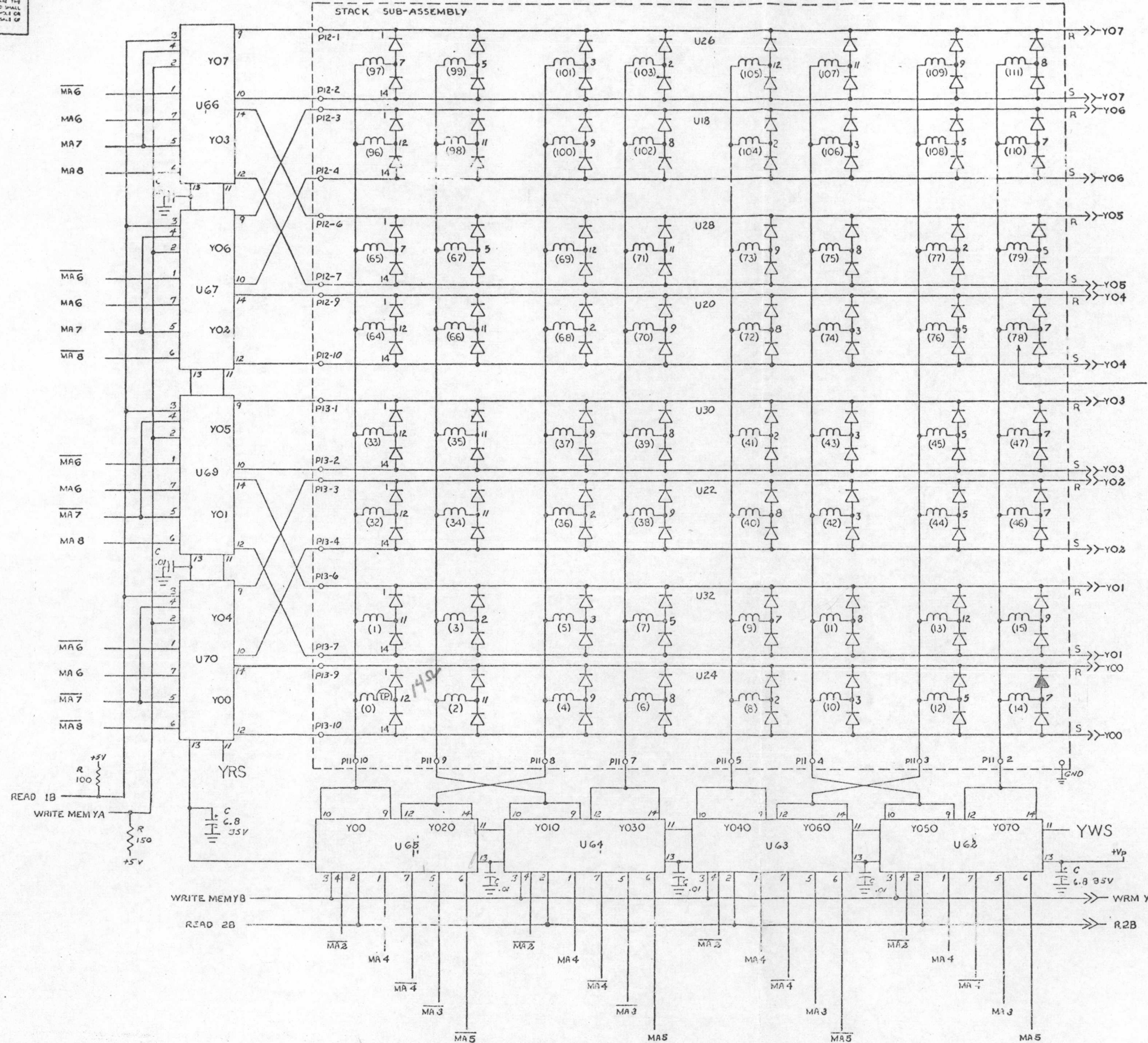
UNLESS OTHERWISE SPECIFIED— DIMENSIONS ARE IN INCHES TOLERANCES ON FRACTIONS DECIMALS ANGLES ± .005 ± .002 ± .010 PARTS TO BE FREE FROM BURRS BREAK ALL EXCES DIM	DRAWN LJHET JOHNSON 1/25/75	CHECKED 	ENGINEER 	APPROVED 	FIRST USED ON 	SCALE 	SIZE D	CODE 001	DRAWING NUMBER 000359	REV 12
---	-----------------------------------	-------------	--------------	--------------	-------------------	-----------	-----------	-------------	--------------------------	-----------

DATA GENERAL CORPORATION  
SOUTHBORO, MASSACHUSETTS 01772  
TITLE  
16K MEMORY  
8117 X DRIVERS

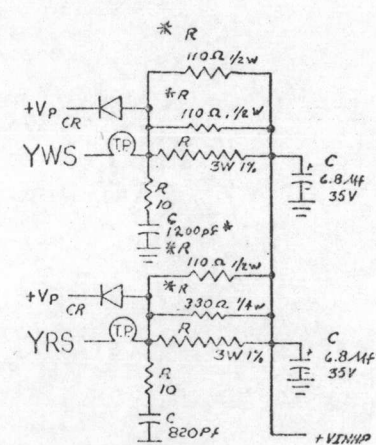


REVISIONS				
REV	DESCRIPTION	DRFTG	APP BY	DATE

THIS DRAWING AND SPECIFICATIONS HEREIN ARE THE PROPERTY OF DATA GENERAL CORPORATION AND SHALL NOT BE REPRODUCED OR COPIED OR USED IN WHOLE OR IN PART AS THE BASIS FOR MANUFACTURE OR SALE OF ITEMS WITHOUT WRITTEN PERMISSION.



NOTE 2



NOTE:  
 R<sub>p</sub>  
 1. RESISTORS SELECTED AT TEST LEVEL.  
 2. FOR STACK VENDOR USE ONLY.  
 S= SOURCE  
 R= RETURN

NOTE: ALL CAPACITORS ARE IN MICROPARADS, AND ALL RESISTORS ARE IN OHMS, 1/4 WATT, WITH 5% TOLERANCE UNLESS OTHERWISE SPECIFIED.

QTY	DESCRIPTION	PART NO

UNLESS OTHERWISE SPECIFIED - DIMENSIONS ARE IN INCHES TOLERANCES ON FRACTIONS DECIMALS ANGLES XX ± PARTS TO BE FREE FROM BURRS BREAK ALL EDGES C10	DRAWN UJE JOHNSON 11/25/75 CHECKED ENGINEER APPROVED FIRST USED ON MATERIAL FINISH	DATA GENERAL CORPORATION SOUTHBOURNE, MASSACHUSETTS 01772 TITLE 16K MEMORY 8117 Y DRIVERS DRAWING NUMBER 000359	REV 12
--	--	---	-----------



