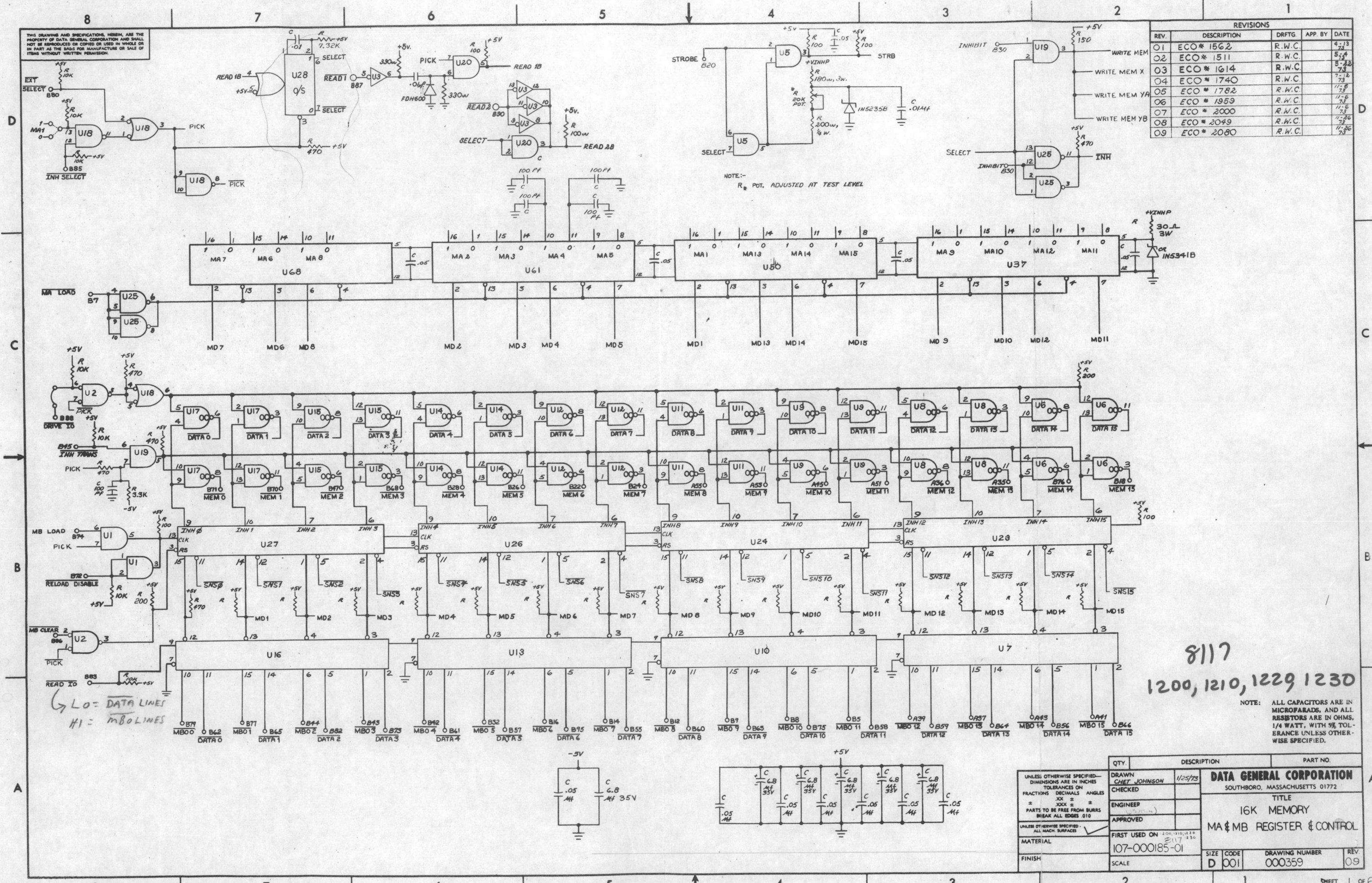


THIS DRAWING AND SPECIFICATIONS, HEREIN, ARE THE PROPERTY OF DATA GENERAL CORPORATION AND SHALL NOT BE REPRODUCED OR COPIED OR USED IN WHOLE OR IN PART AS THE BASIS FOR MANUFACTURE OR SALE OF ITEMS WITHOUT WRITTEN PERMISSION.

REVISIONS				
REV.	DESCRIPTION	DRFTG.	APP. BY	DATE
01	ECO # 1562	R.W.C.		4-13-73
02	ECO # 1511	R.W.C.		5-7-73
03	ECO # 1614	R.W.C.		5-22-73
04	ECO # 1740	R.W.C.		7-12-73
05	ECO # 1782	R.W.C.		11-2-73
06	ECO # 1959	R.W.C.		11-6-73
07	ECO # 2000	R.W.C.		11-6-73
08	ECO # 2049	R.W.C.		11-26-73
09	ECO # 2080	R.W.C.		11-26-73



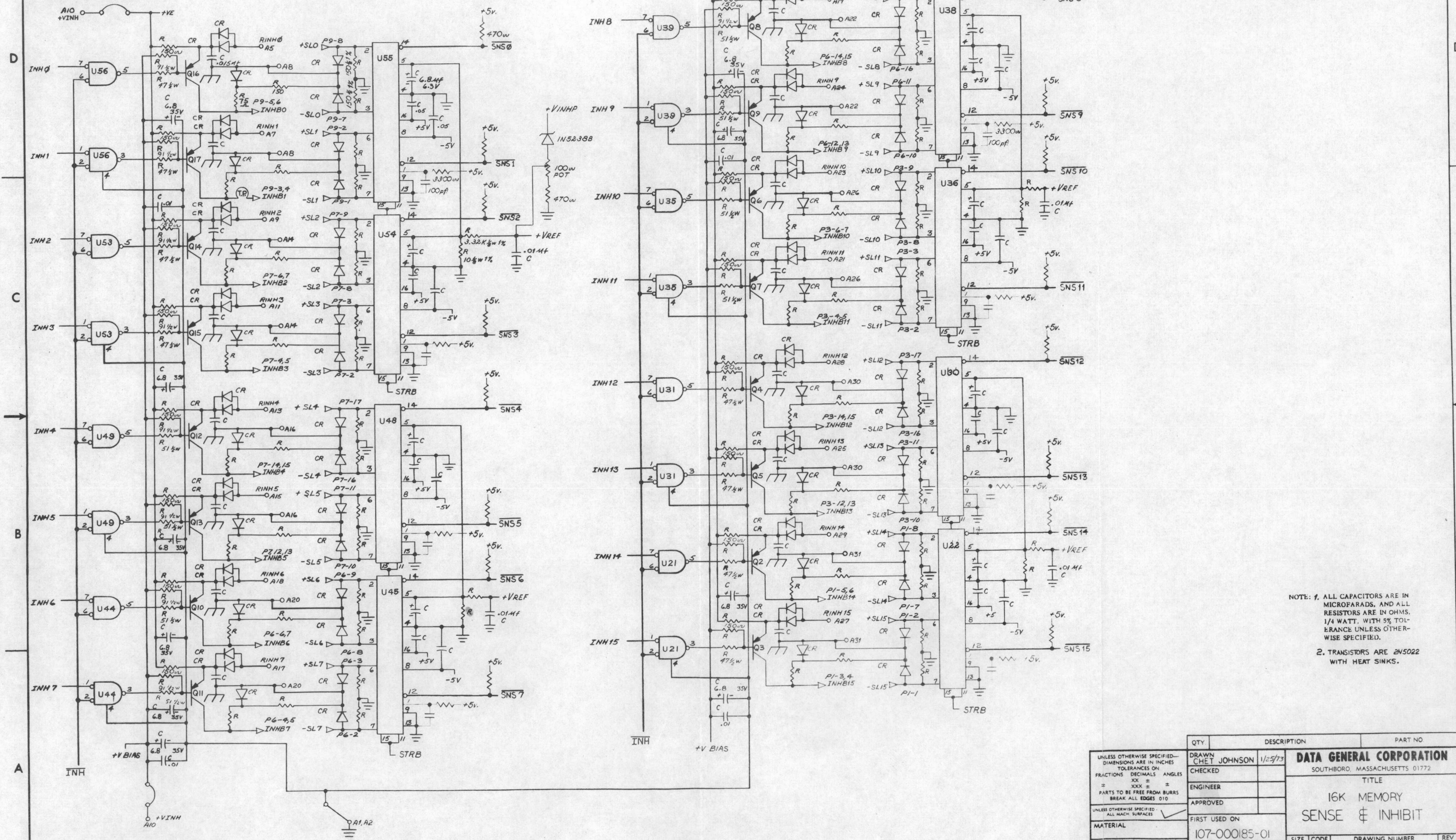
8117  
1200, 1210, 1229, 1230

NOTE: ALL CAPACITORS ARE IN MICROFARADS, AND ALL RESISTORS ARE IN OHMS, 1/4 WATT, WITH 5% TOLERANCE UNLESS OTHERWISE SPECIFIED.

QTY.	DESCRIPTION	PART NO.
	DRAWN CHET JOHNSON 11/25/73	
	CHECKED	
	ENGINEER	
	APPROVED	
	FIRST USED ON 200, 1210, 1229, 1230	
	MATERIAL 107-000185-01	
	FINISH	
	SCALE	
<b>DATA GENERAL CORPORATION</b> SOUTHBORO, MASSACHUSETTS 01772		
TITLE <b>16K MEMORY</b> <b>MA &amp; MB REGISTER &amp; CONTROL</b>		
SIZE	CODE	DRAWING NUMBER
D	001	000359
REV.	09	

THIS DRAWING AND SPECIFICATIONS, HEREIN, ARE THE PROPERTY OF DATA GENERAL CORPORATION AND SHALL NOT BE REPRODUCED OR COPIED OR USED IN WHOLE OR IN PART AS THE BASIS FOR MANUFACTURE OR SALE OF ITEMS WITHOUT WRITTEN PERMISSION.

REVISIONS				
REV	DESCRIPTION	DRFTG	APP BY	DATE

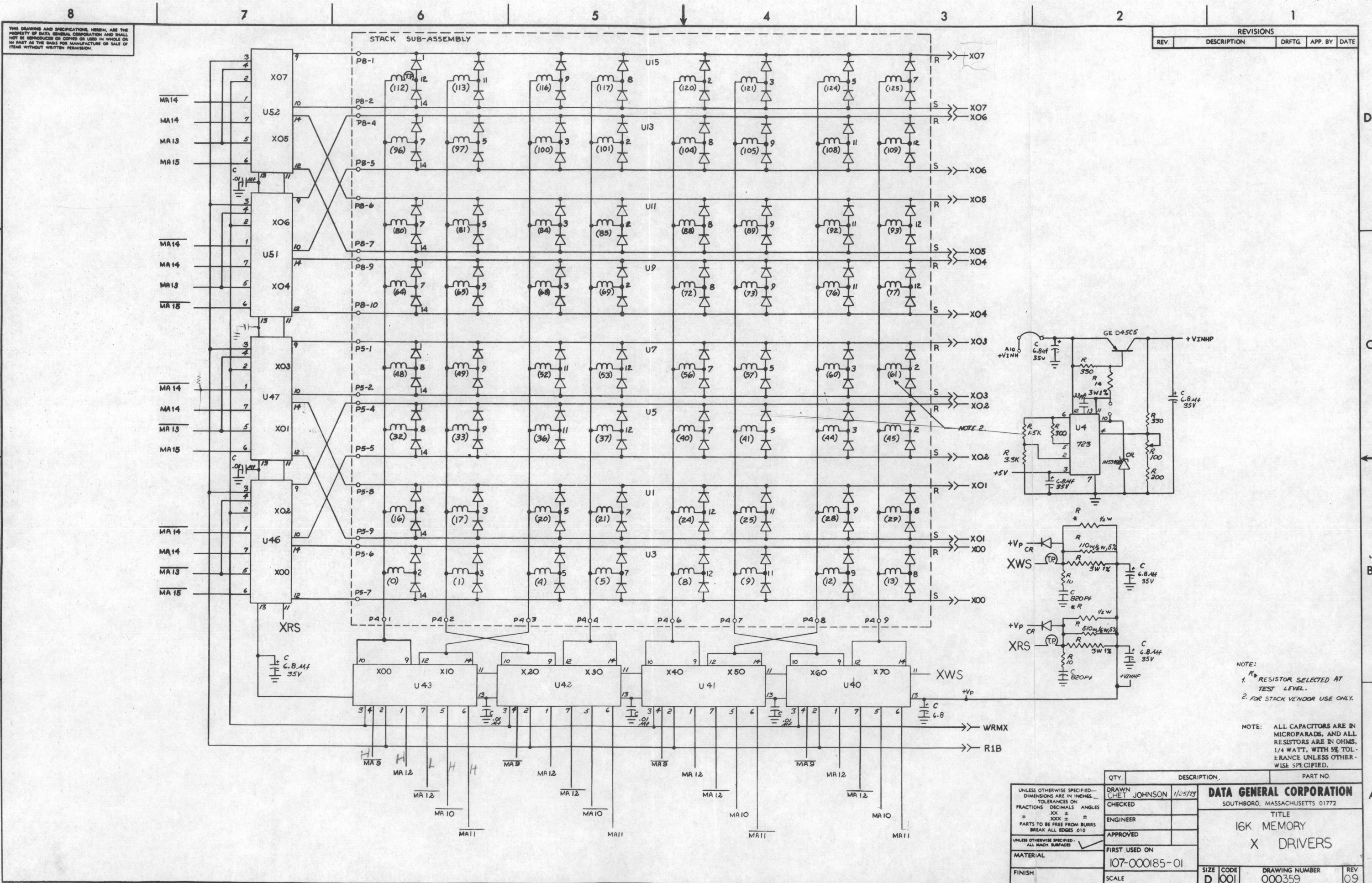


NOTE: 1. ALL CAPACITORS ARE IN MICROFARADS, AND ALL RESISTORS ARE IN OHMS, 1/4 WATT, WITH 5% TOLERANCE UNLESS OTHERWISE SPECIFIED.  
 2. TRANSISTORS ARE 2N5022 WITH HEAT SINKS.

QTY	DESCRIPTION	PART NO

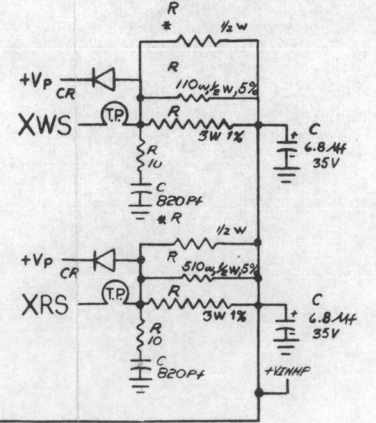
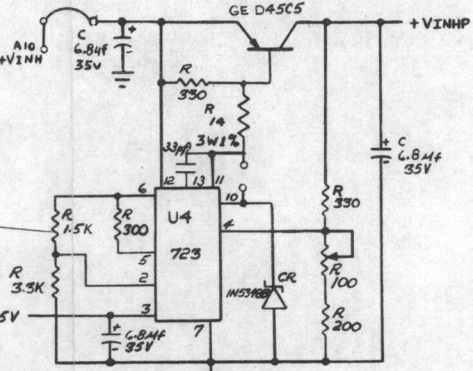
  

DRAWN CHET JOHNSON		DATE 1/25/73		DATA GENERAL CORPORATION	
CHECKED				SOUTH BORO, MASSACHUSETTS 01772	
ENGINEER				TITLE	
APPROVED				16K MEMORY	
MATERIAL				SENSE & INHIBIT	
FINISH				DRAWING NUMBER	
		107-000185-01		000359	
SCALE				REV	
				09	



THIS DRAWING AND SPECIFICATIONS, HEREIN, ARE THE PROPERTY OF DATA GENERAL CORPORATION AND SHALL NOT BE REPRODUCED OR COPIED OR USED IN WHOLE OR IN PART AS THE BASIS FOR MANUFACTURE OR SALE OF ITEMS WITHOUT WRITTEN PERMISSION.

REVISIONS				
REV.	DESCRIPTION	DRFTG.	APP. BY	DATE



NOTE:  
 1. R<sub>1</sub> RESISTOR SELECTED AT TEST LEVEL.  
 2. FOR STACK VENDOR USE ONLY.

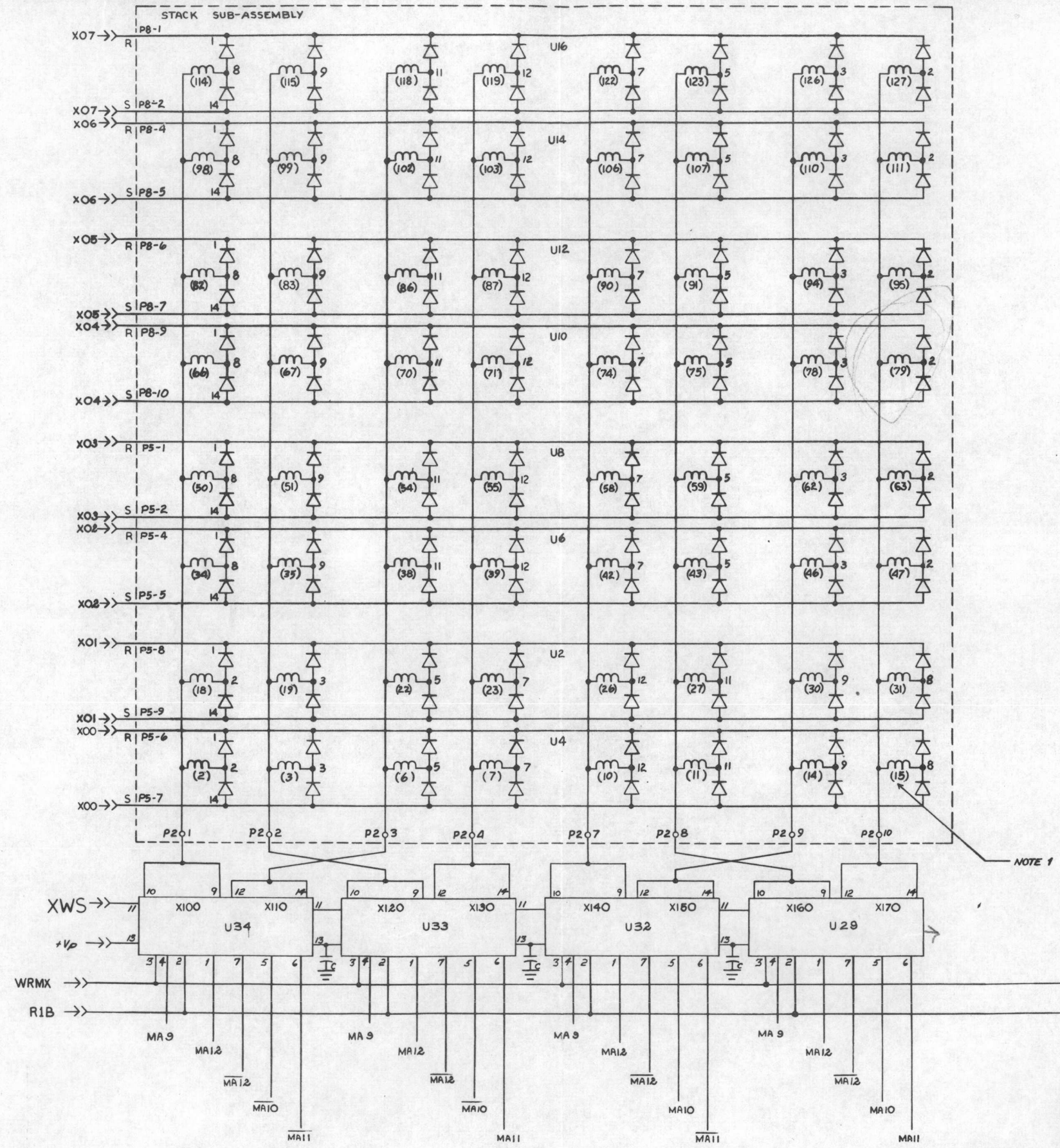
NOTE: ALL CAPACITORS ARE IN MICROPARADS, AND ALL RESISTORS ARE IN OHMS, 1/4 WATT, WITH 5% TOLERANCE UNLESS OTHERWISE SPECIFIED.

UNLESS OTHERWISE SPECIFIED - DIMENSIONS ARE IN INCHES. TOLERANCES ON FRACTIONS DECIMALS ANGLES .XX ± .XXX ± . PARTS TO BE FREE FROM BURRS BREAK ALL EDGES 0.10	QTY	DESCRIPTION	PART NO.
MATERIAL	FINISH	SCALE	

DRAWN CHET JOHNSON 11/25/73	<b>DATA GENERAL CORPORATION</b> SOUTHBORO, MASSACHUSETTS 01772 TITLE <b>16K MEMORY          X DRIVERS</b>
CHECKED	
ENGINEER	
APPROVED	
FIRST USED ON 107-000185-01	
SIZE D	CODE 001
DRAWING NUMBER 000359	REV 09

THIS DRAWING AND SPECIFICATIONS HEREIN ARE THE PROPERTY OF DATA GENERAL CORPORATION AND SHALL NOT BE REPRODUCED OR COPIED OR USED IN WHOLE OR IN PART AS THE BASIS FOR MANUFACTURE OR SALE OF ITEMS WITHOUT WRITTEN PERMISSION.

REVISIONS				
REV.	DESCRIPTION	DRFTG.	APP. BY	DATE



NOTE 1

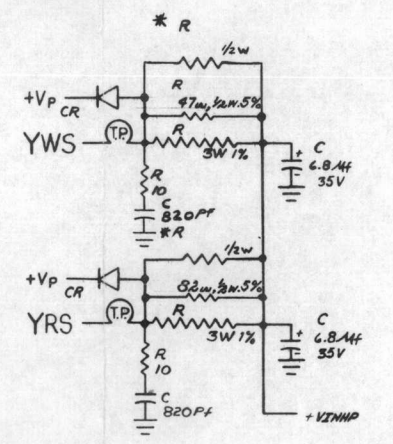
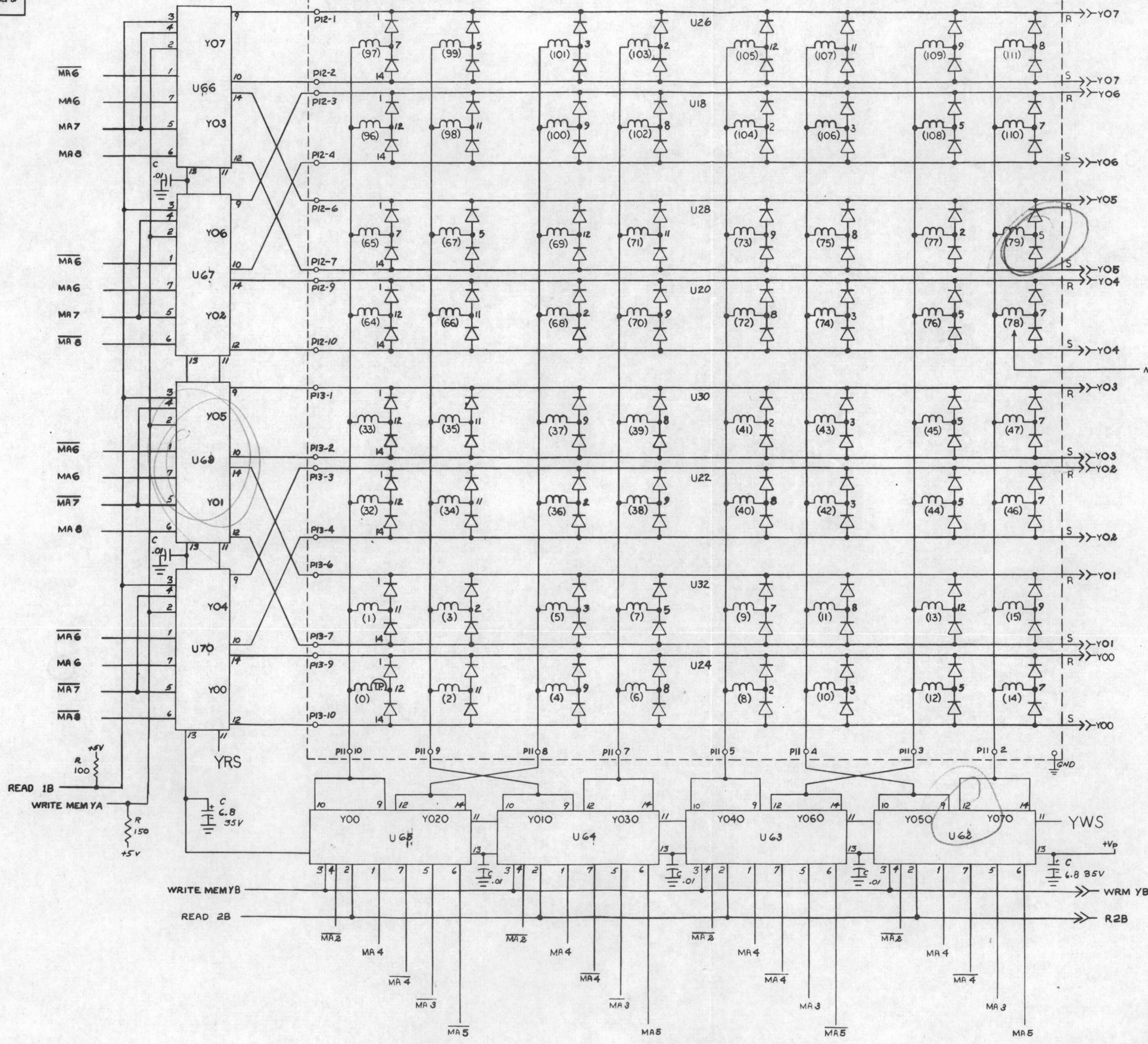
NOTE:-  
1. FOR STACK VENDOR USE ONLY.

NOTE: ALL CAPACITORS ARE IN MICROPARADS, AND ALL RESISTORS ARE IN OHMS, 1/4 WATT, WITH 5% TOLERANCE UNLESS OTHERWISE SPECIFIED.

QTY.	DESCRIPTION	PART NO.
DRAWN CHET JOHNSON 1/25/73		<b>DATA GENERAL CORPORATION</b> SOUTHBORO, MASSACHUSETTS 01772
CHECKED		TITLE 16K MEMORY X DRIVERS
ENGINEER		
APPROVED		
FIRST-USED ON		
107-000185-01		
MATERIAL		
FINISH		
SCALE	SIZE CODE D 001	DRAWING NUMBER 000359
		REV. 09

THIS DRAWING AND SPECIFICATIONS, HEREIN, ARE THE PROPERTY OF DATA GENERAL CORPORATION AND SHALL NOT BE REPRODUCED OR COPIED OR USED IN WHOLE OR IN PART AS THE BASIS FOR MANUFACTURE OR SALE OF ITEMS WITHOUT WRITTEN PERMISSION.

REVISIONS				
REV.	DESCRIPTION	DRFTG	APP BY	DATE



NOTE:  
 R\*  
 1. RESISTORS SELECTED AT TEST LEVEL.  
 2. FOR STACK VENDOR USE ONLY.

NOTE: ALL CAPACITORS ARE IN MICROPARADS. AND ALL RESISTORS ARE IN OHMS. 1/4 WATT. WITH 5% TOLERANCE UNLESS OTHERWISE SPECIFIED.

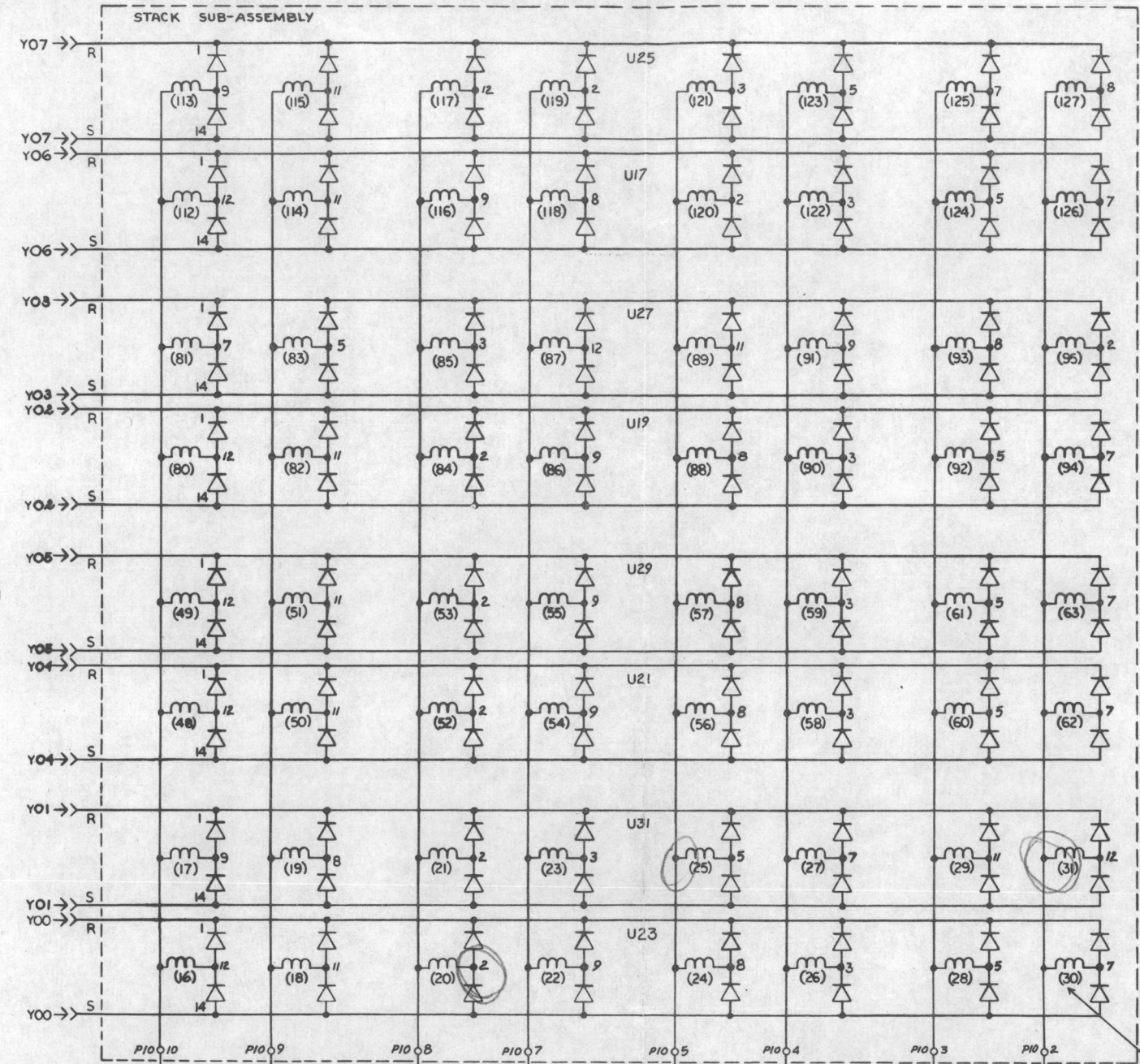
QTY.	DESCRIPTION	PART NO.

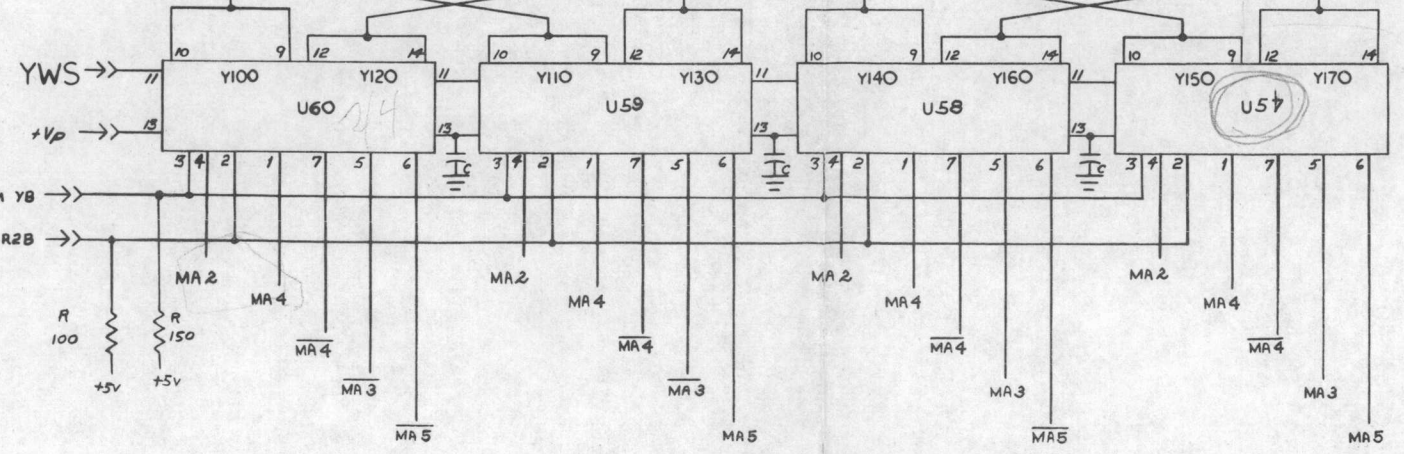
UNLESS OTHERWISE SPECIFIED— DIMENSIONS ARE IN INCHES TOLERANCES ON FRACTIONS DECIMALS ANGLES = .010 = .005 = .001 PARTS TO BE FREE FROM BURRS BREAK ALL EDGES 0.10	DRAWN CHET JOHNSON 1/25/73 CHECKED ENGINEER APPROVED FIRST USED ON 107-000185-01 SCALE	<b>DATA GENERAL CORPORATION</b> SOUTHBORO, MASSACHUSETTS 01772 TITLE 16K MEMORY Y DRIVERS DRAWING NUMBER 000359 REV 09
--	---	--

THIS DRAWING AND SPECIFICATIONS, HEREIN, ARE THE PROPERTY OF DATA GENERAL CORPORATION AND SHALL NOT BE REPRODUCED OR COPIED OR USED IN WHOLE OR IN PART AS THE BASIS FOR MANUFACTURE OR SALE OF ITEMS WITHOUT WRITTEN PERMISSION.

REVISIONS				
REV.	DESCRIPTION	DRFTG.	APP BY	DATE



Handwritten notes in a circle:  
 24000  
 24177  
 U60 pin → 023-2



NOTE 1

NOTE:-  
 1. FOR STACK VENDOR USE ONLY.

NOTE: ALL CAPACITORS ARE IN MICROFARADS, AND ALL RESISTORS ARE IN OHMS, 1/4 WATT, WITH 5% TOLERANCE UNLESS OTHERWISE SPECIFIED.

<small>UNLESS OTHERWISE SPECIFIED—          DIMENSIONS ARE IN INCHES          TOLERANCES ON          FRACTIONS DECIMALS ANGLES          ± .005 ± .010 ± .015          PARTS TO BE FREE FROM BURRS          BREAK ALL EDGES .010          UNLESS OTHERWISE SPECIFIED—          ALL MACH. SURFACES</small>	QTY.	DESCRIPTION	PART NO.
	DRAWN CHET JOHNSON	1/25/73	<b>DATA GENERAL CORPORATION</b> SOUTHBORO, MASSACHUSETTS 01772
	CHECKED		TITLE 16K MEMORY Y DRIVERS
	ENGINEER		
APPROVED			
MATERIAL	FIRST USED ON		
FINISH	107-000185-01		
	SCALE		
	SIZE D	CODE 001	DRAWING NUMBER 000359
			REV 09