

REVISIONS				
REV.	DESCRIPTION	DRFTG.	APP. BY	DATE
01	ECO * 1562	R.W.C.		4-13
02	ECO * 1511	R.W.C.		5-7
03	ECO * 1614	R.W.C.		5-28
04	ECO * 1740	R.W.C.		7-2
05	ECO * 1782	R.W.C.		7-3
06	ECO * 1959	R.W.C.		11-6
07	ECO * 2000	R.W.C.		11-6
08	ECO * 2049	R.W.C.		11-26
09	ECO * 2080	R.W.C.		11-26

8117  
1200, 1210, 1229, 1230

UNLESS OTHERWISE SPECIFIED—		QTY.	DESCRIPTION	PART NO.
DIMENSIONS ARE IN INCHES				
TOLERANCES ON FRACTIONS DECIMALS ANGLES				
± .005 ± .010 ± .020				
PARTS TO BE FREE FROM BURRS BREAK ALL EDGES .010				
UNLESS OTHERWISE SPECIFIED— ALL MACH SURFACES				
MATERIAL				
FINISH				
DRAWN				
CHECKED				
ENGINEER				
APPROVED				
FIRST USED ON				
107-000185-01				
SCALE				
SIZE				
CODE				
DRAWING NUMBER				
REV				
D 001				
000359				
09				

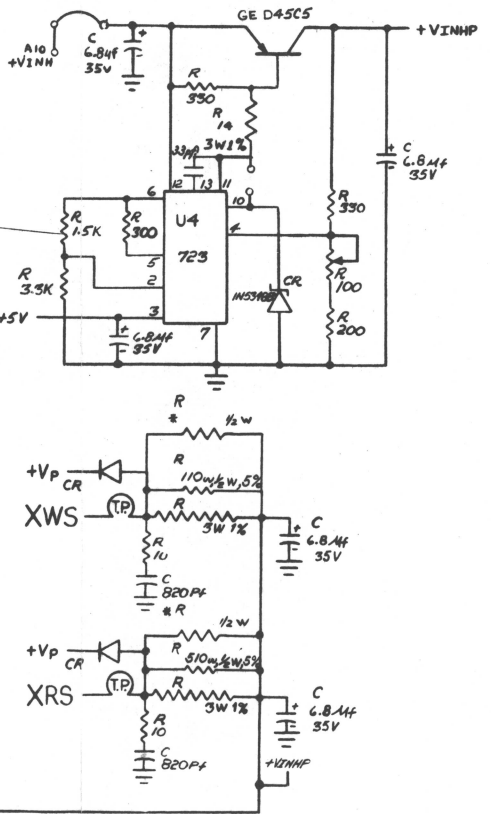
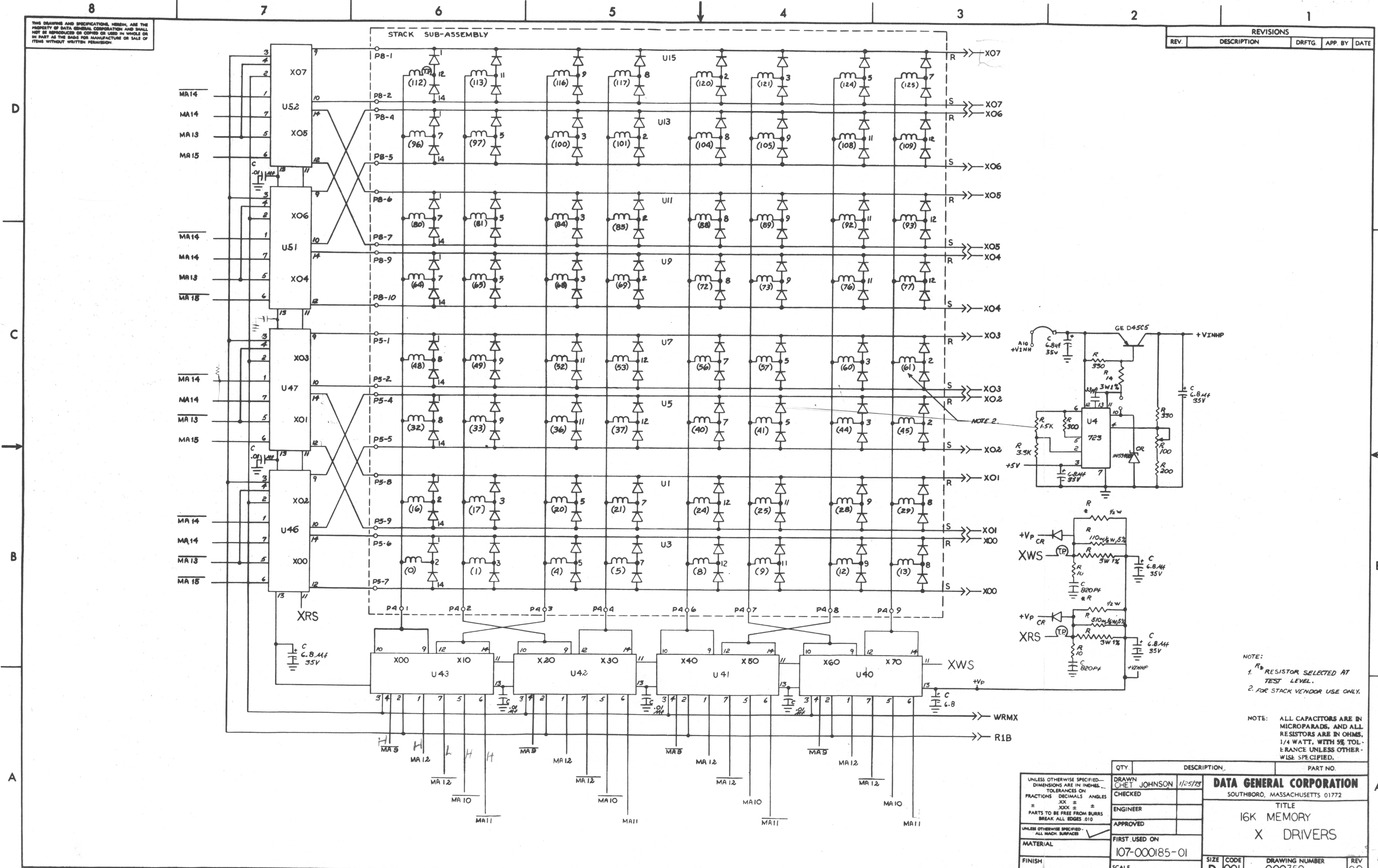
THIS DRAWING AND SPECIFICATIONS HEREIN, ARE THE PROPERTY OF DATA GENERAL CORPORATION AND SHALL NOT BE REPRODUCED OR COPIED OR USED IN WHOLE OR IN PART AS THE BASIS FOR MANUFACTURE OR SALE OF ITEMS WITHOUT WRITTEN PERMISSION.

LO = DATA LINES  
H1 = MB LINES



THIS DRAWING AND SPECIFICATIONS HEREIN ARE THE PROPERTY OF DATA GENERAL CORPORATION AND SHALL NOT BE REPRODUCED OR COPIED OR USED IN WHOLE OR IN PART AS THE BASIS FOR MANUFACTURE OR SALE OF ITEMS WITHOUT WRITTEN PERMISSION.

REVISIONS				
REV.	DESCRIPTION	DRFTG.	APP. BY	DATE



NOTE:  
 1. R<sub>s</sub> RESISTOR SELECTED AT TEST LEVEL.  
 2. FOR STACK VENDOR USE ONLY.

NOTE: ALL CAPACITORS ARE IN MICROPARADS, AND ALL RESISTORS ARE IN OHMS, 1/4 WATT, WITH 5% TOLERANCE UNLESS OTHERWISE SPECIFIED.

QTY	DESCRIPTION	PART NO.

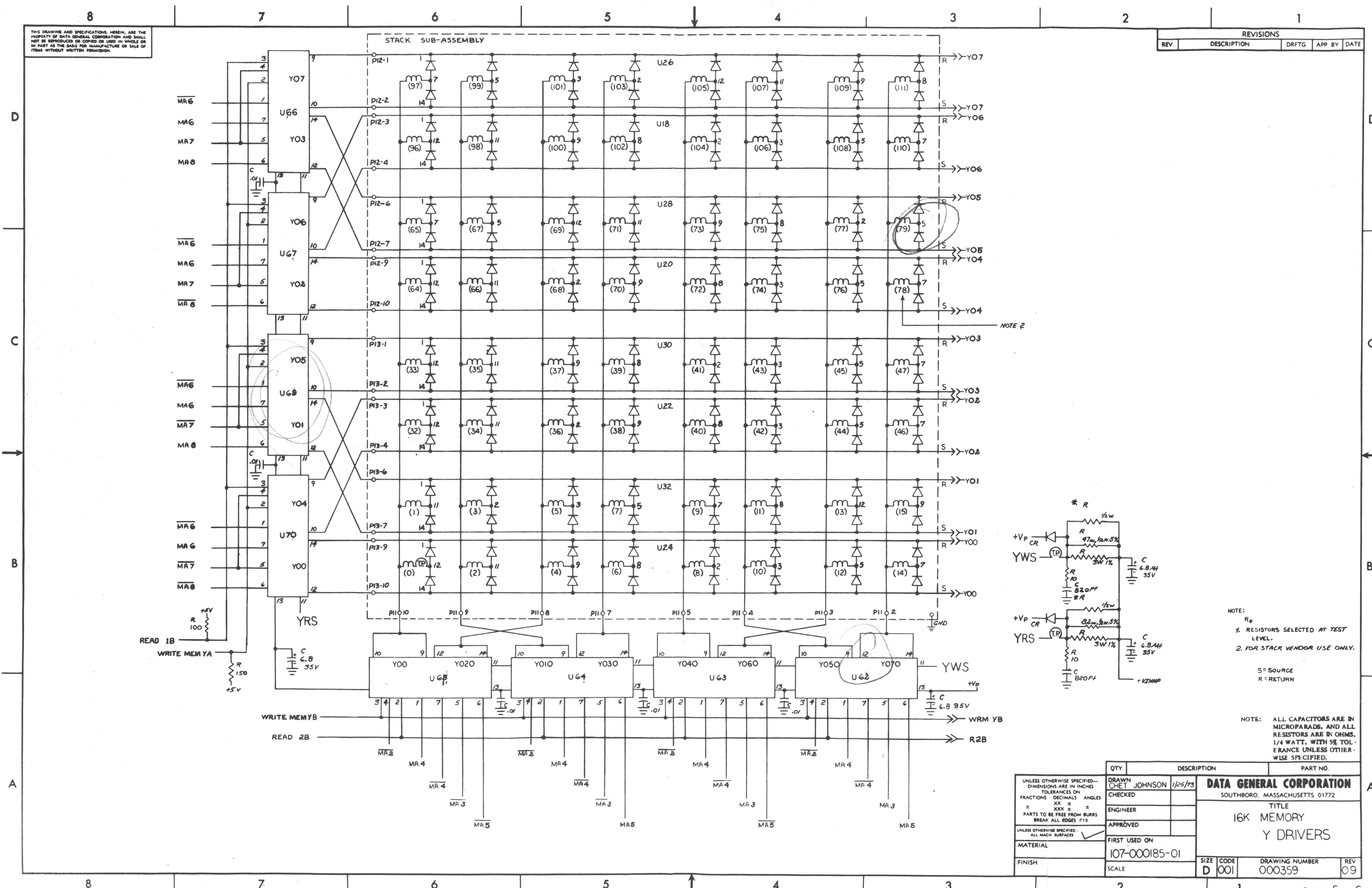
  

UNLESS OTHERWISE SPECIFIED— DIMENSIONS ARE IN INCHES— TOLERANCES ON FRACTIONS DECIMALS ANGLES ± .005 ± .010 ± .020 PARTS TO BE FREE FROM BURRS BREAK ALL EDGES .010	DRAWN C.H.T. JOHNSON 11/25/73	<b>DATA GENERAL CORPORATION</b> SOUTHBORO, MASSACHUSETTS 01772 TITLE <b>16K MEMORY          X DRIVERS</b>
CHECKED		
ENGINEER		
APPROVED		
UNLESS OTHERWISE SPECIFIED— ALL MACH. SURFACES	FIRST USED ON 107-000185-01	SIZE CODE D 001
MATERIAL	SCALE	DRAWING NUMBER 000359
FINISH		REV 09

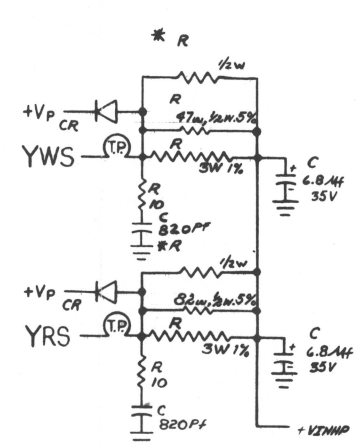


THIS DRAWING AND SPECIFICATIONS, HEREIN, ARE THE PROPERTY OF DATA GENERAL CORPORATION AND SHALL NOT BE REPRODUCED OR COPIED OR USED IN WHOLE OR IN PART AS THE BASIS FOR MANUFACTURE OR SALE OF ITEMS WITHOUT WRITTEN PERMISSION.

REVISIONS			
REV.	DESCRIPTION	DRFTG	APP BY DATE



NOTE 2



NOTE:  
 R<sub>s</sub>  
 1. RESISTORS SELECTED AT TEST LEVEL.  
 2. FOR STACK VENDOR USE ONLY.  
 S = SOURCE  
 R = RETURN

NOTE: ALL CAPACITORS ARE IN MICROPARADS, AND ALL RESISTORS ARE IN OHMS. 1/4 WATT, WITH 5% TOLERANCE UNLESS OTHERWISE SPECIFIED.

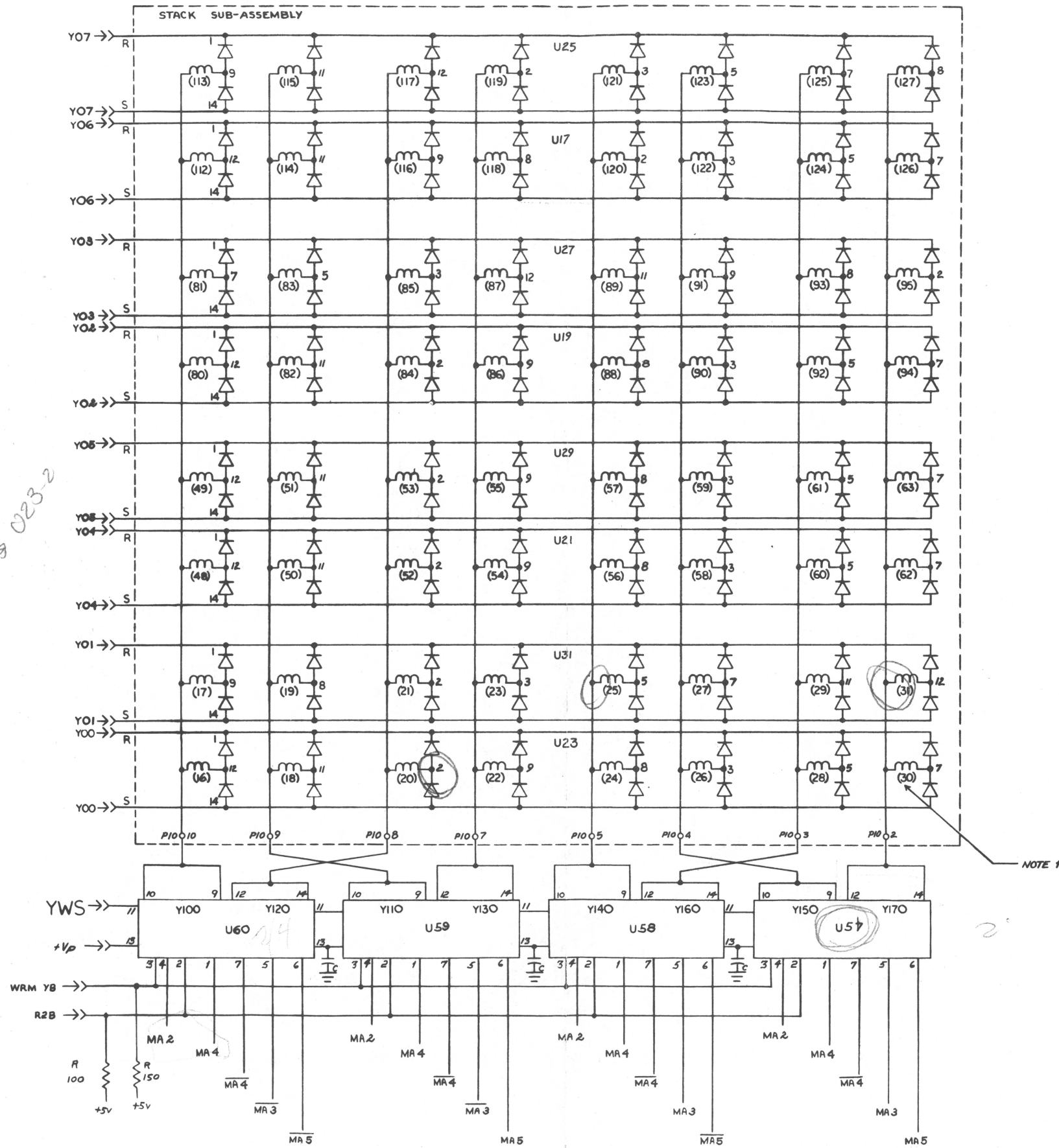
QTY.	DESCRIPTION	PART NO.

UNLESS OTHERWISE SPECIFIED— DIMENSIONS ARE IN INCHES FRACTIONS DECIMALS ANGLES TOLERANCES ON XXX ± PARTS TO BE FREE FROM BURRS BREAK ALL EDGES C10	DRAWN CHET JOHNSON 1/25/75	<b>DATA GENERAL CORPORATION</b> SOUTHBORO, MASSACHUSETTS 01772
UNLESS OTHERWISE SPECIFIED— ALL MACH SURFACES	CHECKED 	TITLE 16K MEMORY Y DRIVERS
	ENGINEER 	
	APPROVED 	
	FIRST USED ON 107-000185-01	
MATERIAL		
FINISH	SCALE	SIZE CODE D 001
		DRAWING NUMBER 000359
		REV 09

THIS DRAWING AND SPECIFICATIONS, HEREIN, ARE THE PROPERTY OF DATA GENERAL CORPORATION AND SHALL NOT BE REPRODUCED OR COPIED OR USED IN WHOLE OR IN PART AS THE BASIS FOR MANUFACTURE OR SALE OF ITEMS WITHOUT WRITTEN PERMISSION.

REVISIONS			
REV.	DESCRIPTION	DRFTG.	APP. BY DATE



Handwritten notes in a circle:  
 24000  
 24177  
 U60 pin → 023-2

NOTE 1

NOTE:-  
 1. FOR STACK VENDOR USE ONLY.

NOTE: ALL CAPACITORS ARE IN MICROFARADS, AND ALL RESISTORS ARE IN OHMS, 1/4 WATT, WITH 5% TOLERANCE UNLESS OTHERWISE SPECIFIED.

UNLESS OTHERWISE SPECIFIED— DIMENSIONS ARE IN INCHES TOLERANCES ON FRACTIONS DECIMALS ANGLES ± .001 ± .005 ± .010 PARTS TO BE FREE FROM BURRS BREAK ALL EDGES .010 UNLESS OTHERWISE SPECIFIED— ALL MACH. SURFACES	QTY.	DESCRIPTION	PART NO.
DRAWN CHET JOHNSON 1/23/73			
CHECKED			
ENGINEER			
APPROVED			
FIRST USED ON			
MATERIAL			
FINISH			
	107-000185-01		
SCALE	D 001	DRAWING NUMBER	REV
		000359	09

**DATA GENERAL CORPORATION**  
 SOUTHBORO, MASSACHUSETTS 01772  
 TITLE  
 16K MEMORY  
 Y DRIVERS