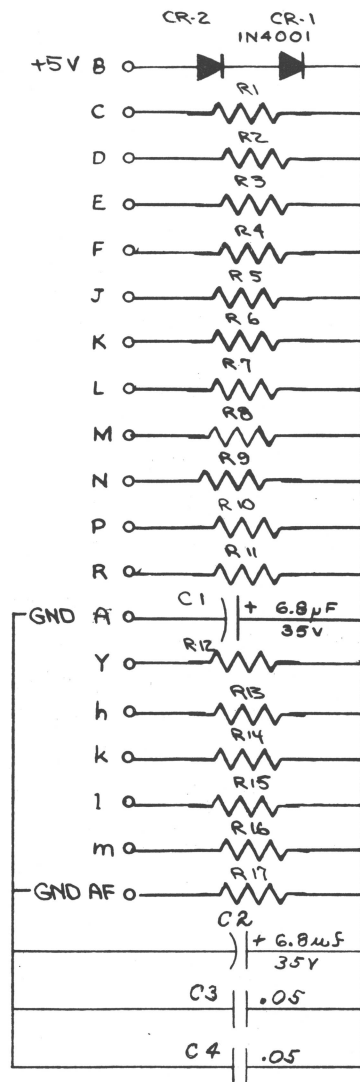


THIS DRAWING AND SPECIFICATIONS, HEREIN, ARE THE PROPERTY OF DATA GENERAL CORPORATION AND SHALL NOT BE REPRODUCED OR COPIED OR USED IN WHOLE OR IN PART AS THE BASIS FOR MANUFACTURE OR SALE OF ITEMS WITHOUT WRITTEN PERMISSION.

REVISIONS				
REV.	DESCRIPTION	DRFTG.	APP. BY	DATE
01	ECO* 1392	R.W.C.		2-20 78
02	ECO* 2750	GW.M.	RFT	8-4 78



ALL RESISTORS
110.Ω 1/4 W

QTY.	DESCRIPTION	PART NO.
	DRAWN B. LOUGHLIN	DATA GENERAL CORPORATION SOUTHBORO, MASSACHUSETTS 01772 TITLE 1220/820 BACKPANEL I/O TERMINATOR
	CHECKED	
	ENGINEER B. LOUGHLIN	
	APPROVED	
	FIRST USED ON 8/81, 8/81	
	SCALE	SIZE C CODE 001 DRAWING NUMBER 000281 REV. 02