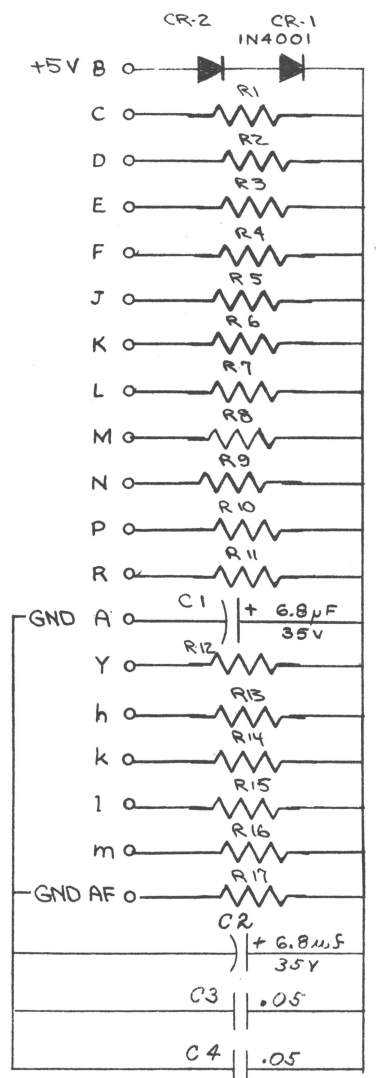


THIS DRAWING AND SPECIFICATIONS, HEREIN, ARE THE PROPERTY OF DATA GENERAL CORPORATION AND SHALL NOT BE REPRODUCED OR COPIED OR USED IN WHOLE OR IN PART AS THE BASIS FOR MANUFACTURE OR SALE OF ITEMS WITHOUT WRITTEN PERMISSION.

REVISIONS				
REV.	DESCRIPTION	DRFTG.	APP. BY	DATE
01	ECO# 1392	R.W.C.		2-20-72
02	ECO# 2750	GW.M.	R.F.J.	8-4-72

817 Mem Ser 660  
Bk Pan 1069-14



ALL RESISTORS  
110Ω 1/4 W

QTY.	DESCRIPTION	PART NO.
	DRAWN B. LOUGHLIN	
	CHECKED	
	ENGINEER B. LOUGHLIN	
	APPROVED	
	FIRST USED ON 8/81, 8281	
	MATERIAL	
	FINISH	
	SCALE	
UNLESS OTHERWISE SPECIFIED— DIMENSIONS ARE IN INCHES TOLERANCES ON FRACTIONS DECIMALS ANGLES ± .XX ± ± PARTS TO BE FREE FROM BURRS BREAK ALL EDGES .010		<b>DATA GENERAL CORPORATION</b> SOUTHBORO, MASSACHUSETTS 01772 TITLE 1220/820 BACKPANEL I/O TERMINATOR
UNLESS OTHERWISE SPECIFIED— ALL MACH. SURFACES		
SIZE	CODE	DRAWING NUMBER
C	001	000281
		REV.
		02