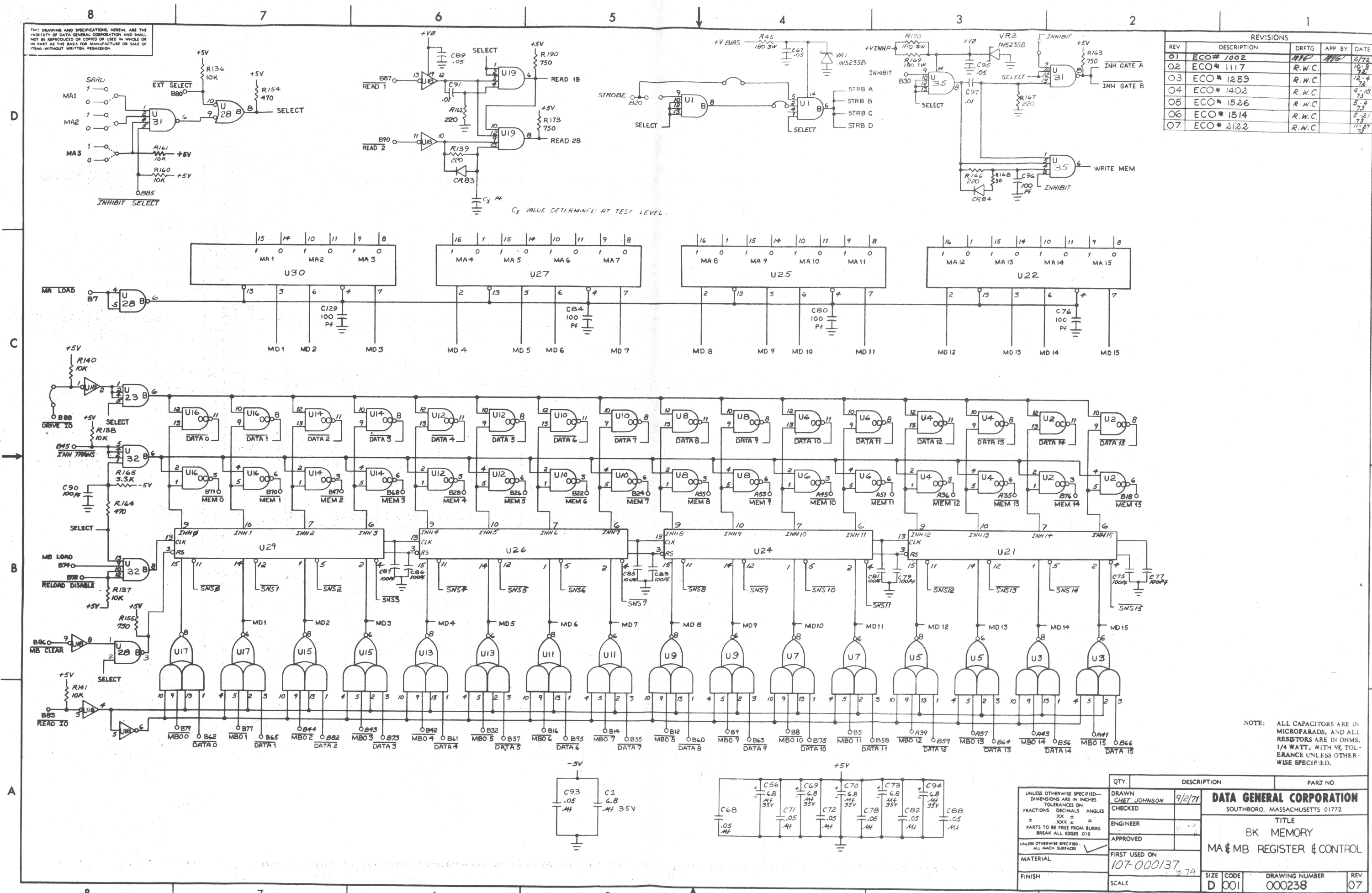


THIS DRAWING AND SPECIFICATIONS, HEREIN, ARE THE PROPERTY OF DATA GENERAL CORPORATION AND SHALL NOT BE REPRODUCED OR COPIED OR USED IN WHOLE OR IN PART AS THE BASIS FOR MANUFACTURE OR SALE OF ITEMS WITHOUT WRITTEN PERMISSION.

REVISIONS				
REV	DESCRIPTION	DRFTG	APP BY	DATE
01	ECO# 1002	R.W.C.	R.W.C.	6/72
02	ECO# 1117	R.W.C.	R.W.C.	10-5-72
03	ECO# 1259	R.W.C.	R.W.C.	12-4-72
04	ECO# 1402	R.W.C.	R.W.C.	4-18-73
05	ECO# 1526	R.W.C.	R.W.C.	5-4-73
06	ECO# 1514	R.W.C.	R.W.C.	5-21-73
07	ECO# 2122	R.W.C.	R.W.C.	11-27-73

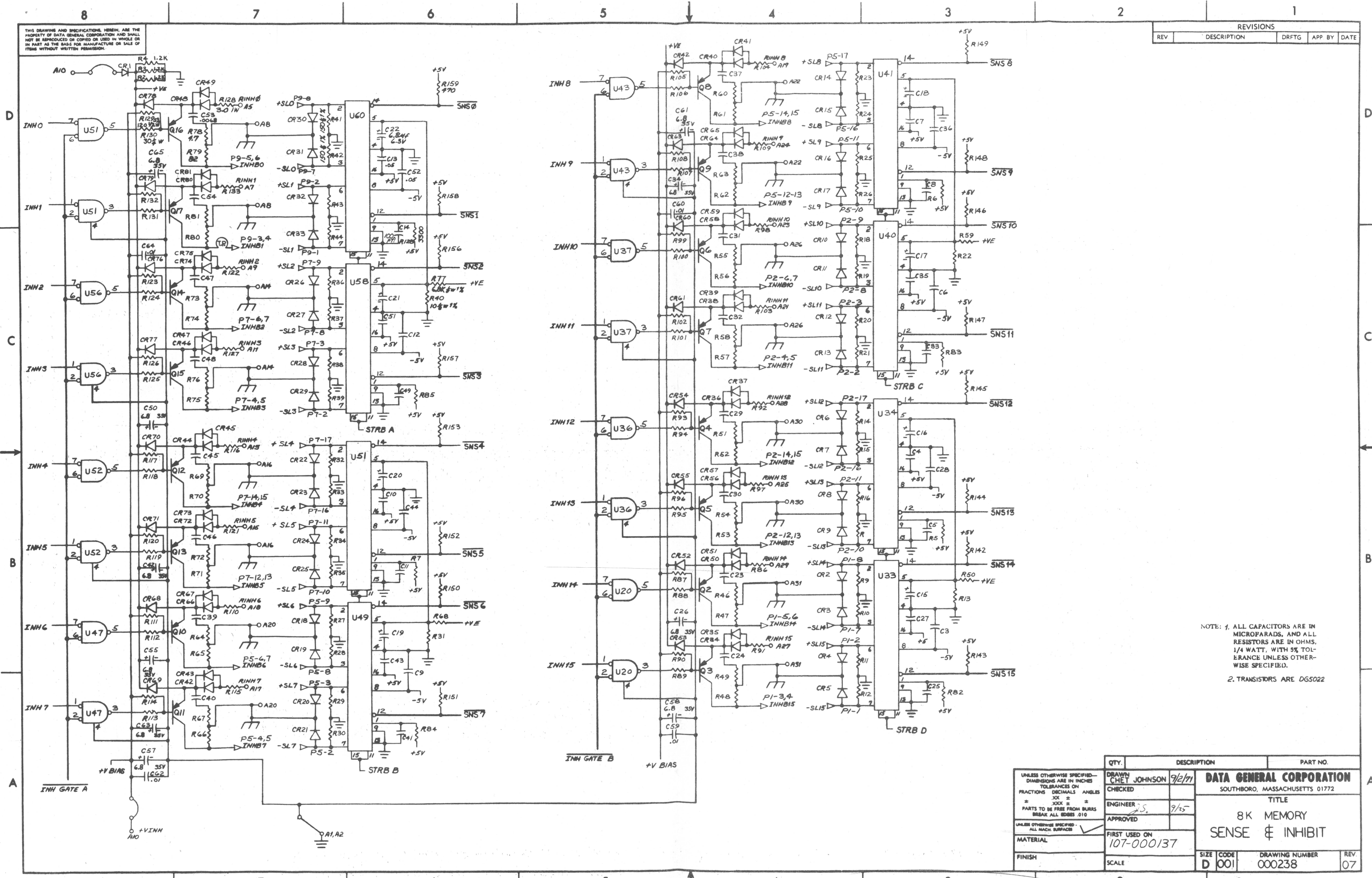


NOTE: ALL CAPACITORS ARE IN MICROFARADS, AND ALL RESISTORS ARE IN OHMS, 1/4 WATT, WITH 5% TOLERANCE UNLESS OTHERWISE SPECIFIED.

QTY.	DESCRIPTION	PART NO
	<b>DATA GENERAL CORPORATION</b>	
	SOUTHBORO, MASSACHUSETTS 01772	
	TITLE	
	8K MEMORY	
	MA & MB REGISTER & CONTROL	
	DRAWN	9/2/77
	CHECKED	
	ENGINEER	
	APPROVED	
	FIRST USED ON	107-000137
	SCALE	D 001
	DRAWING NUMBER	000238
	REV	07

THIS DRAWING AND SPECIFICATIONS, HEREIN, ARE THE PROPERTY OF DATA GENERAL CORPORATION AND SHALL NOT BE REPRODUCED OR COPIED OR USED IN WHOLE OR IN PART AS THE BASIS FOR MANUFACTURE OR SALE OF ITEMS WITHOUT WRITTEN PERMISSION.

REVISIONS			
REV	DESCRIPTION	DRFTG	APP BY DATE



NOTE: 1. ALL CAPACITORS ARE IN MICROFARADS, AND ALL RESISTORS ARE IN OHMS, 1/4 WATT, WITH 5% TOLERANCE UNLESS OTHERWISE SPECIFIED.  
2. TRANSISTORS ARE DG5022

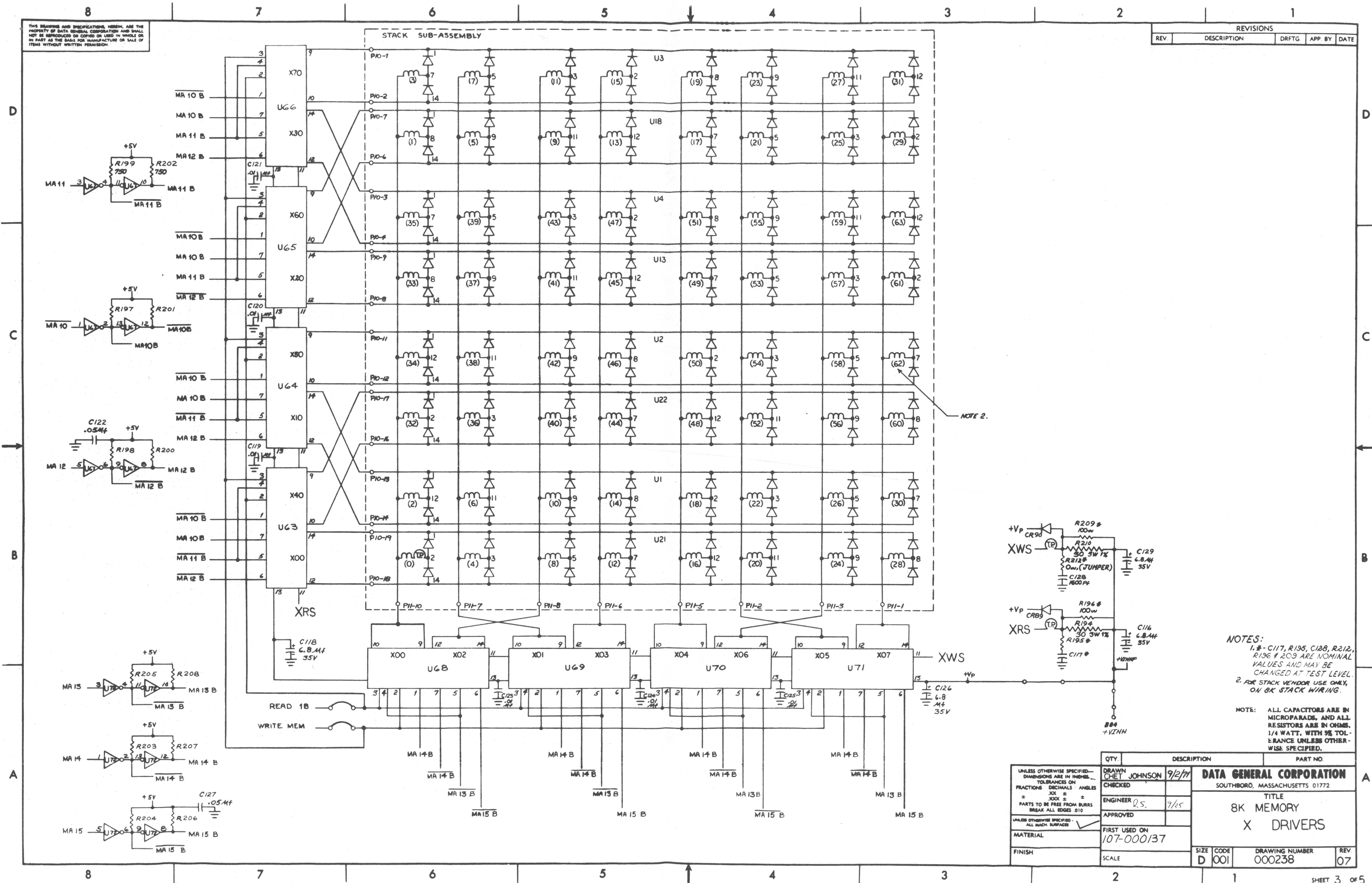
QTY.	DESCRIPTION	PART NO.

UNLESS OTHERWISE SPECIFIED— DIMENSIONS ARE IN INCHES TOLERANCES ON FRACTIONS DECIMALS ANGLES * XX ± ** XXX ± PARTS TO BE FREE FROM BURRS BREAK ALL EDGES .010	DRAWN <b>CHET JOHNSON</b> CHECKED ENGINEER APPROVED FIRST USED ON 107-000137	<b>DATA GENERAL CORPORATION</b> SOUTHBORO, MASSACHUSETTS 01772 TITLE <b>8K MEMORY          SENSE &amp; INHIBIT</b>
UNLESS OTHERWISE SPECIFIED— ALL MACH SURFACES	MATERIAL FINISH	SIZE CODE <b>D 001</b> DRAWING NUMBER <b>000238</b> REV. <b>07</b>

THIS DRAWING AND SPECIFICATIONS HEREIN, ARE THE PROPERTY OF DATA GENERAL CORPORATION AND SHALL NOT BE REPRODUCED OR COPIED OR USED IN WHOLE OR IN PART AS THE BASIS FOR MANUFACTURE OR SALE OF ITEMS WITHOUT WRITTEN PERMISSION.

REVISIONS			
REV	DESCRIPTION	DRFTG	APP. BY DATE



NOTE 2.

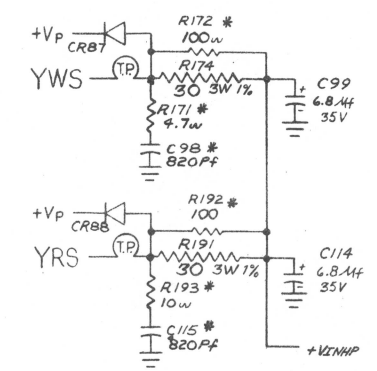
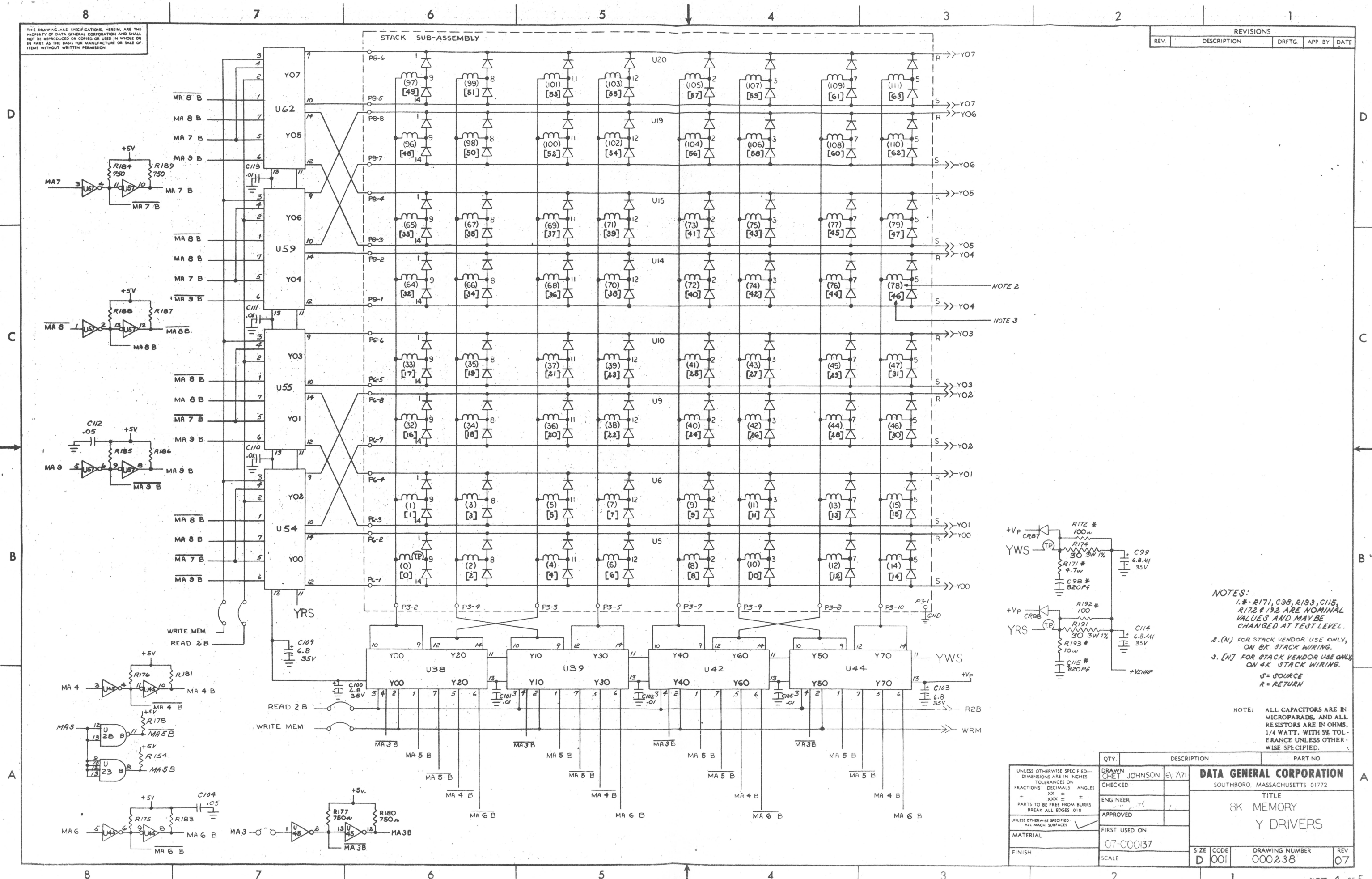
NOTES:  
 1. R196, R197, R198, R212, R209 & R203 ARE NOMINAL VALUES AND MAY BE CHANGED AT TEST LEVEL.  
 2. FOR STACK VENDOR USE ONLY, ON BK STACK WIRING.

NOTE: ALL CAPACITORS ARE IN MICROFARADS, AND ALL RESISTORS ARE IN OHMS, 1/4 WATT, WITH 5% TOLERANCE UNLESS OTHERWISE SPECIFIED.

QTY.	DESCRIPTION	PART NO.
DRAWN CHET JOHNSON	9/2/77	<b>DATA GENERAL CORPORATION</b>
CHECKED		SOUTHBORO, MASSACHUSETTS 01772
ENGINEER R.S.	7/65	TITLE <b>8K MEMORY X DRIVERS</b>
APPROVED		SIZE CODE D 001
FIRST USED ON 107-000137		DRAWING NUMBER 000238
MATERIAL		REV. 07
FINISH	SCALE	

THIS DRAWING AND SPECIFICATIONS HEREIN ARE THE PROPERTY OF DATA GENERAL CORPORATION AND SHALL NOT BE REPRODUCED OR COPIED OR USED IN WHOLE OR IN PART AS THE BASIS FOR MANUFACTURE OR SALE OF ITEMS WITHOUT WRITTEN PERMISSION.

REVISIONS				
REV	DESCRIPTION	DRFTG	APP BY	DATE



NOTES:  
 1. \* - R171, C98, R193, C115, R172 & 192 ARE NOMINAL VALUES AND MAY BE CHANGED AT TEST LEVEL.  
 2. (N) FOR STACK VENDOR USE ONLY, ON 8K STACK WIRING.  
 3. [N] FOR STACK VENDOR USE ONLY, ON 4K STACK WIRING.  
 S = SOURCE  
 R = RETURN

NOTE: ALL CAPACITORS ARE IN MICROPARADS, AND ALL RESISTORS ARE IN OHMS, 1/4 WATT, WITH 5% TOLERANCE UNLESS OTHERWISE SPECIFIED.

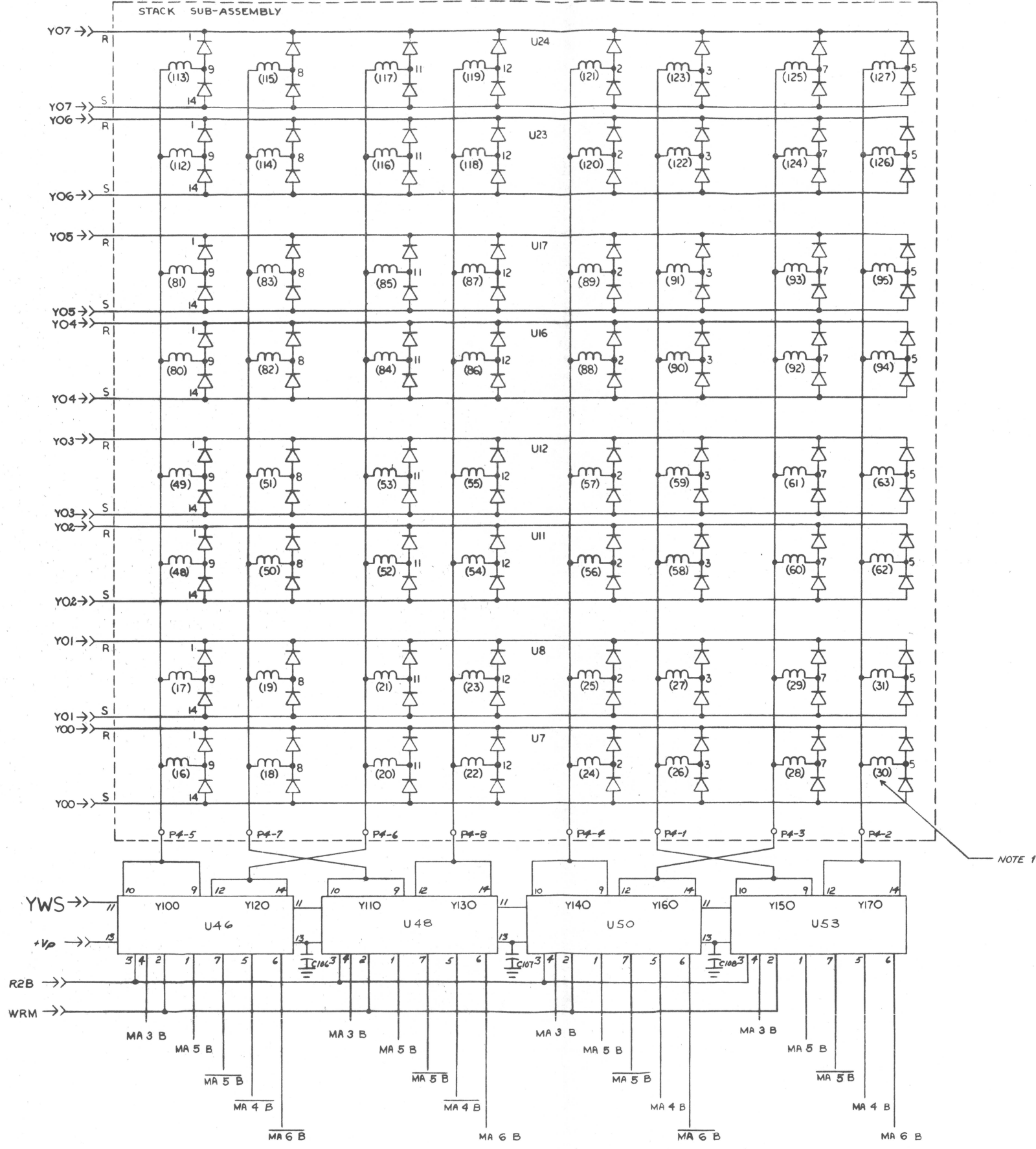
QTY	DESCRIPTION	PART NO.

UNLESS OTHERWISE SPECIFIED—DIMENSIONS ARE IN INCHES TOLERANCES ON FRACTIONS DECIMALS ANGLES XXX ± PARTS TO BE FREE FROM BURRS BREAK ALL EDGES 0.10	DRAWN CHET JOHNSON CHECKED 	6/17/71	<b>DATA GENERAL CORPORATION</b> SOUTHBORO, MASSACHUSETTS 01772
UNLESS OTHERWISE SPECIFIED—ALL MACH SURFACES	ENGINEER APPROVED		
	FIRST USED ON		TITLE 8K MEMORY Y DRIVERS
			SIZE CODE D 001
			DRAWING NUMBER 000238
			REV 07

THIS DRAWING AND SPECIFICATIONS HEREIN ARE THE PROPERTY OF DATA GENERAL CORPORATION AND SHALL NOT BE REPRODUCED OR COPIED OR USED IN WHOLE OR IN PART AS THE BASIS FOR MANUFACTURE OR SALE OF ITEMS WITHOUT WRITTEN PERMISSION.

REVISIONS				
REV	DESCRIPTION	DRFTG	APP BY	DATE



NOTE 1

NOTE:-  
1. FOR STACK VENDOR USE ONLY, ON BK STACK WIRING.

NOTE: ALL CAPACITORS ARE IN MICROPARADS, AND ALL RESISTORS ARE IN OHMS, 1/4 WATT, WITH 5% TOLERANCE UNLESS OTHERWISE SPECIFIED.

QTY	DESCRIPTION	PART NO.

UNLESS OTHERWISE SPECIFIED— DIMENSIONS ARE IN INCHES TOLERANCES ON FRACTIONS DECIMALS ANGLES XXX ± ± .XXX ± PARTS TO BE FREE FROM BURRS BREAK ALL EDGES 010	DRAWN CHET JOHNSON 9/3/71	<b>DATA GENERAL CORPORATION</b> SOUTHBORO, MASSACHUSETTS 01772  TITLE <b>8K MEMORY Y DRIVERS</b>
UNLESS OTHERWISE SPECIFIED— ALL MACH SURFACES	CHECKED	
MATERIAL	ENGINEER J.S. 9/25	
FINISH	APPROVED	
	FIRST USED ON 107-000137	
	SCALE	
	SIZE CODE D 001	DRAWING NUMBER 000238
		REV 07