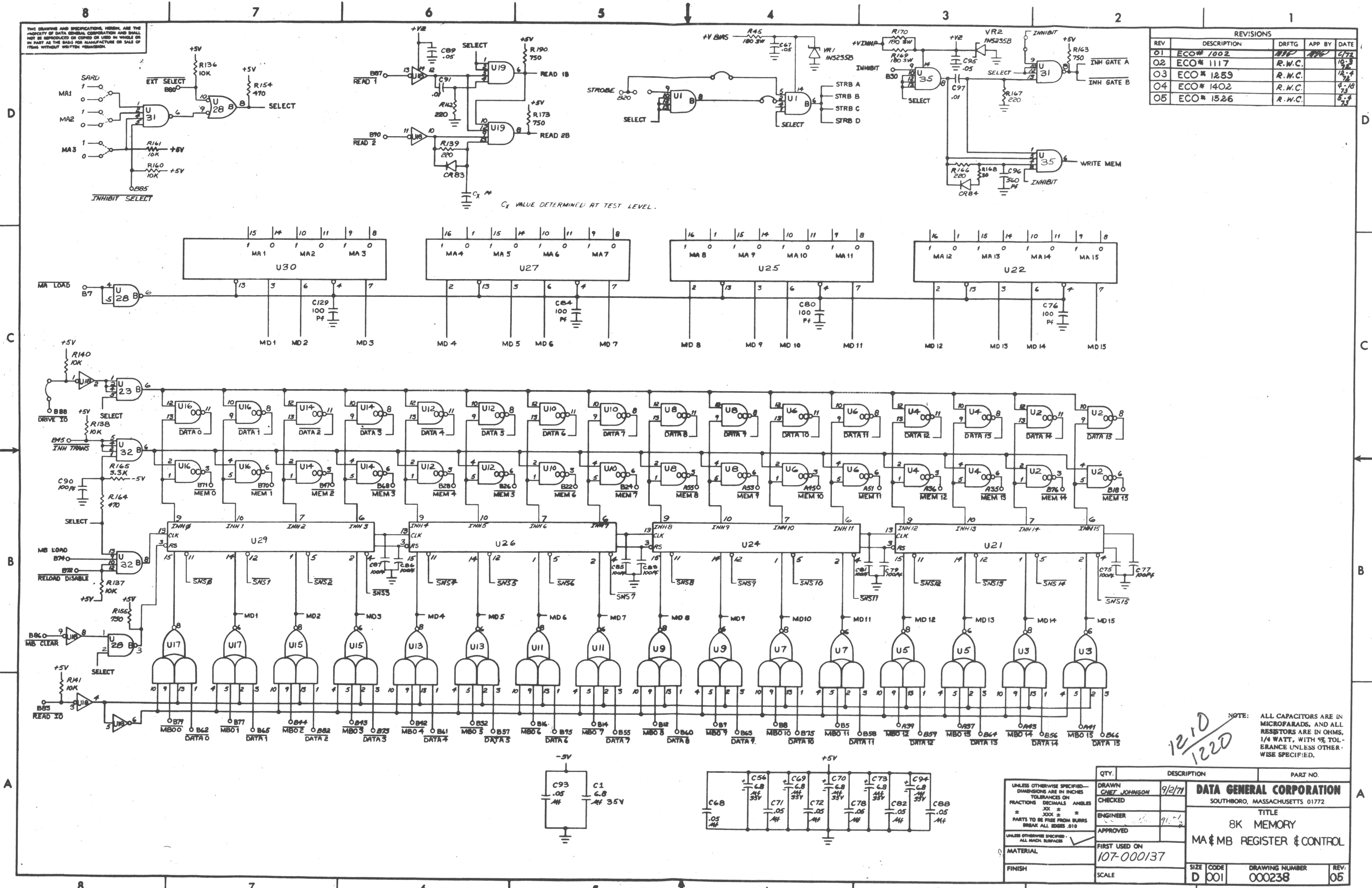


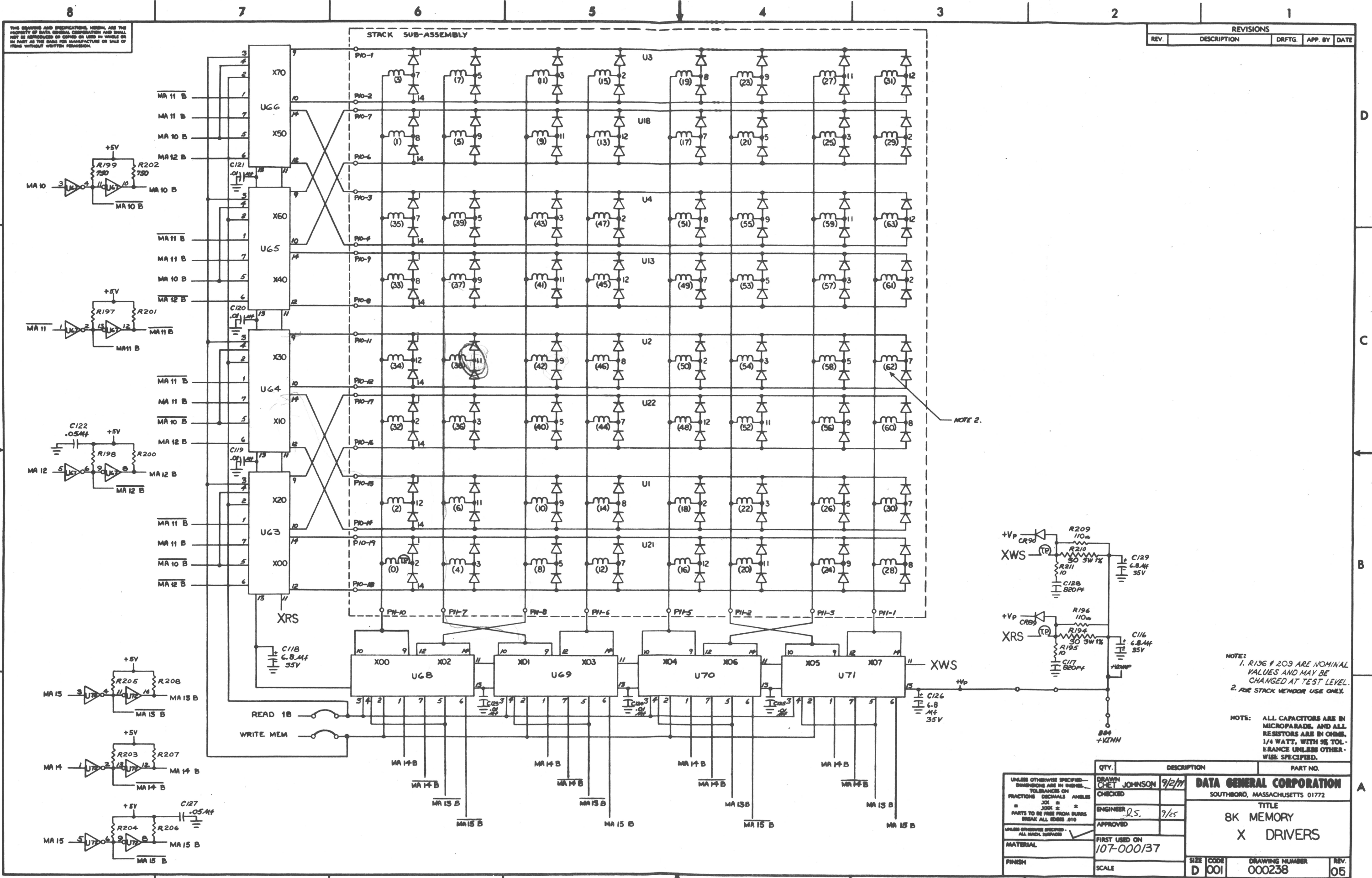
THIS DRAWING AND SPECIFICATIONS HEREBY ARE THE PROPERTY OF DATA GENERAL CORPORATION AND SHALL NOT BE REPRODUCED OR COPIED OR USED IN WHOLE OR IN PART AS THE BASIS FOR MANUFACTURE OR SALE OF ITEMS WITHOUT WRITTEN PERMISSION.

REVISIONS				
REV	DESCRIPTION	DRFTG	APP BY	DATE
01	ECO# 1002	R.W.C.	R.W.C.	10-3-72
02	ECO# 1117	R.W.C.	R.W.C.	10-3-72
03	ECO# 1259	R.W.C.	R.W.C.	12-4-72
04	ECO# 1402	R.W.C.	R.W.C.	4-18-73
05	ECO# 1526	R.W.C.	R.W.C.	5-4-73



QTY.	DESCRIPTION	PART NO.
	UNLESS OTHERWISE SPECIFIED—DIMENSIONS ARE IN INCHES TOLERANCES ON FRACTIONS DECIMALS ANGLES	
	UNLESS OTHERWISE SPECIFIED—ALL MACH. SURFACES	
	MATERIAL	
	FINISH	
DRAWN	CHEF JOHNSON	9/2/77
CHECKED		
ENGINEER		9/1/77
APPROVED		
FIRST USED ON	107-000137	
SCALE		
<b>DATA GENERAL CORPORATION</b>		
SOUTHBORO, MASSACHUSETTS 01772		
TITLE		
8K MEMORY		
MA & MB REGISTER & CONTROL		
SIZE	CODE	DRAWING NUMBER
D	001	000238
REV.		
05		





THIS DRAWING AND SPECIFICATIONS HEREAFTER ARE THE PROPERTY OF DATA GENERAL CORPORATION AND SHALL NOT BE REPRODUCED OR COPIED OR USED IN WHOLE OR IN PART AS THE BASIS FOR MANUFACTURE OR SALE OF ITEMS WITHOUT WRITTEN PERMISSION.

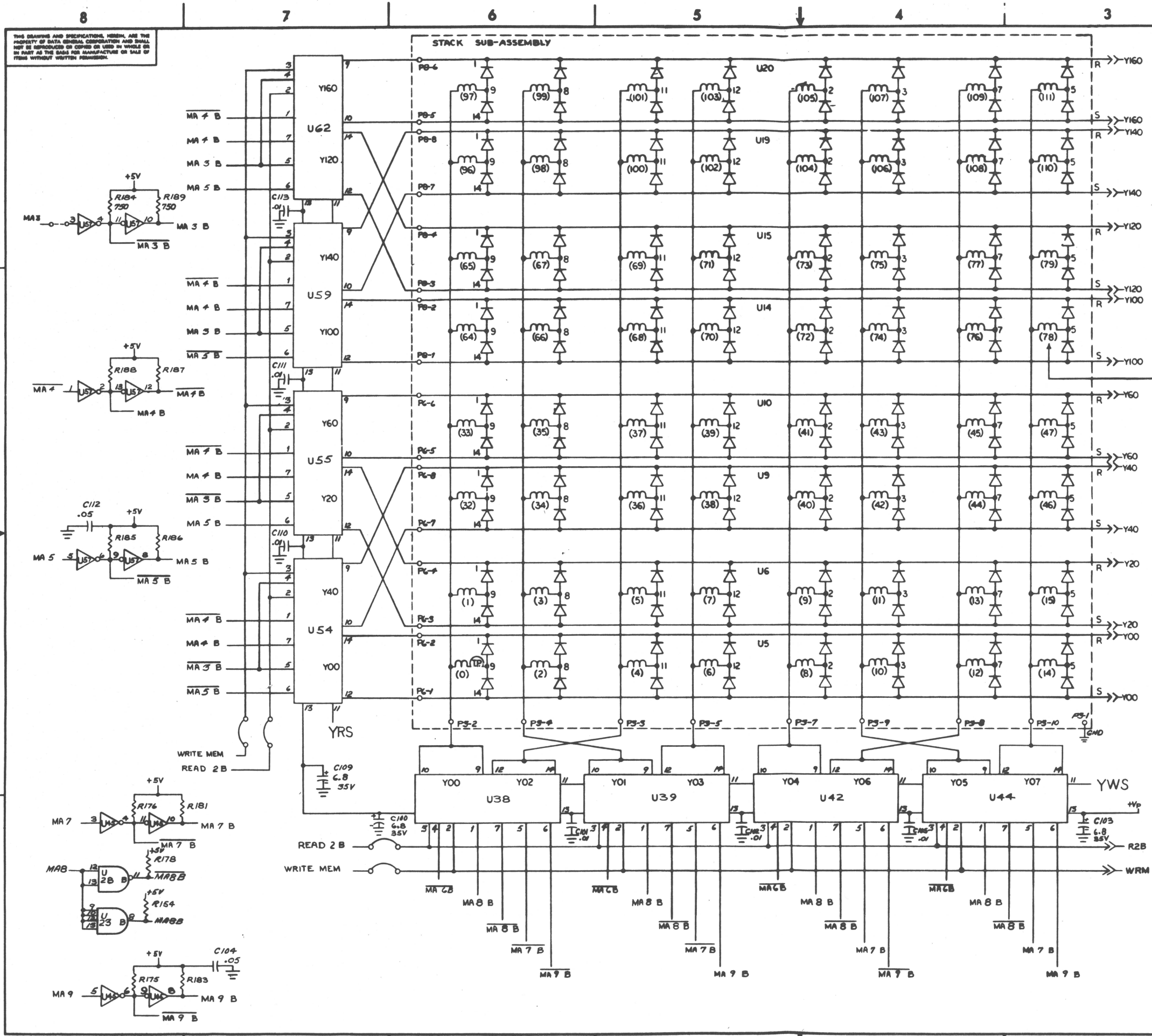
REVISIONS			
REV.	DESCRIPTION	DRFTG.	APP. BY DATE

NOTE 2.

NOTE: 1. R196 & R209 ARE NOMINAL VALUES AND MAY BE CHANGED AT TEST LEVEL.  
2. FOR STACK METHOD USE ONLY.

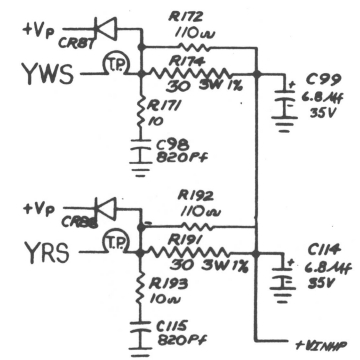
NOTE: ALL CAPACITORS ARE IN MICROFARADS, AND ALL RESISTORS ARE IN OHMS, 1/4 WATT, WITH 5% TOLERANCE UNLESS OTHERWISE SPECIFIED.

QTY.	DESCRIPTION	PART NO.
UNLESS OTHERWISE SPECIFIED - DIMENSIONS ARE IN INCHES - TOLERANCES ON FRACTIONS DECIMALS ANGLES * PARTS TO BE FREE FROM BURRS BREAK ALL EDGES .010 UNLESS OTHERWISE SPECIFIED - ALL DIMENSIONS SURFACES		
DRAWN	JOHNSON	9/2/77
CHECKED		
ENGINEER		9/2/77
APPROVED		
FIRST USED ON	107-000/37	
MATERIAL		
FINISH		
SCALE	SIZE	CODE
	D	001
	DRAWING NUMBER	
	000238	
	REV.	05



REVISIONS				
REV.	DESCRIPTION	DRFTG.	APP. BY	DATE

NOTE 2



NOTE:  
 1. R172 & R192 ARE NOMINAL VALUES AND MAY BE CHANGED AT TEST LEVEL.  
 2. FOR STACK VENDOR USE ONLY.

S = SOURCE  
 R = RETURN

NOTE: ALL CAPACITORS ARE IN MICROFARADS, AND ALL RESISTORS ARE IN OHMS, 1/4 WATT, WITH 5% TOLERANCE UNLESS OTHERWISE SPECIFIED.

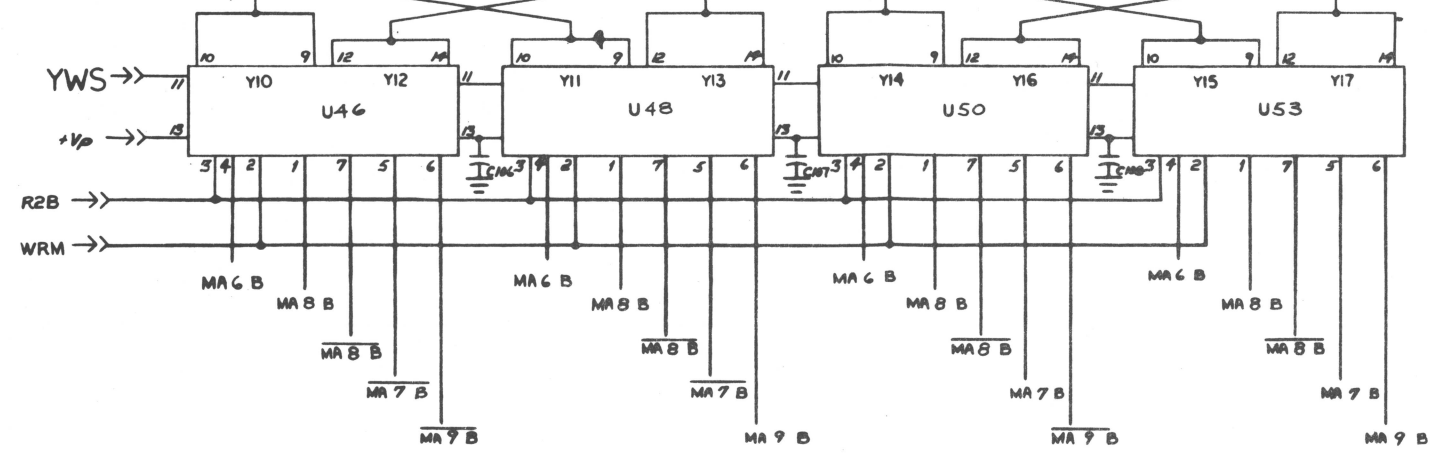
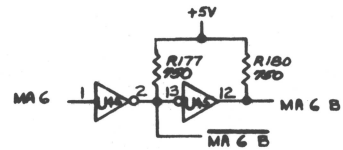
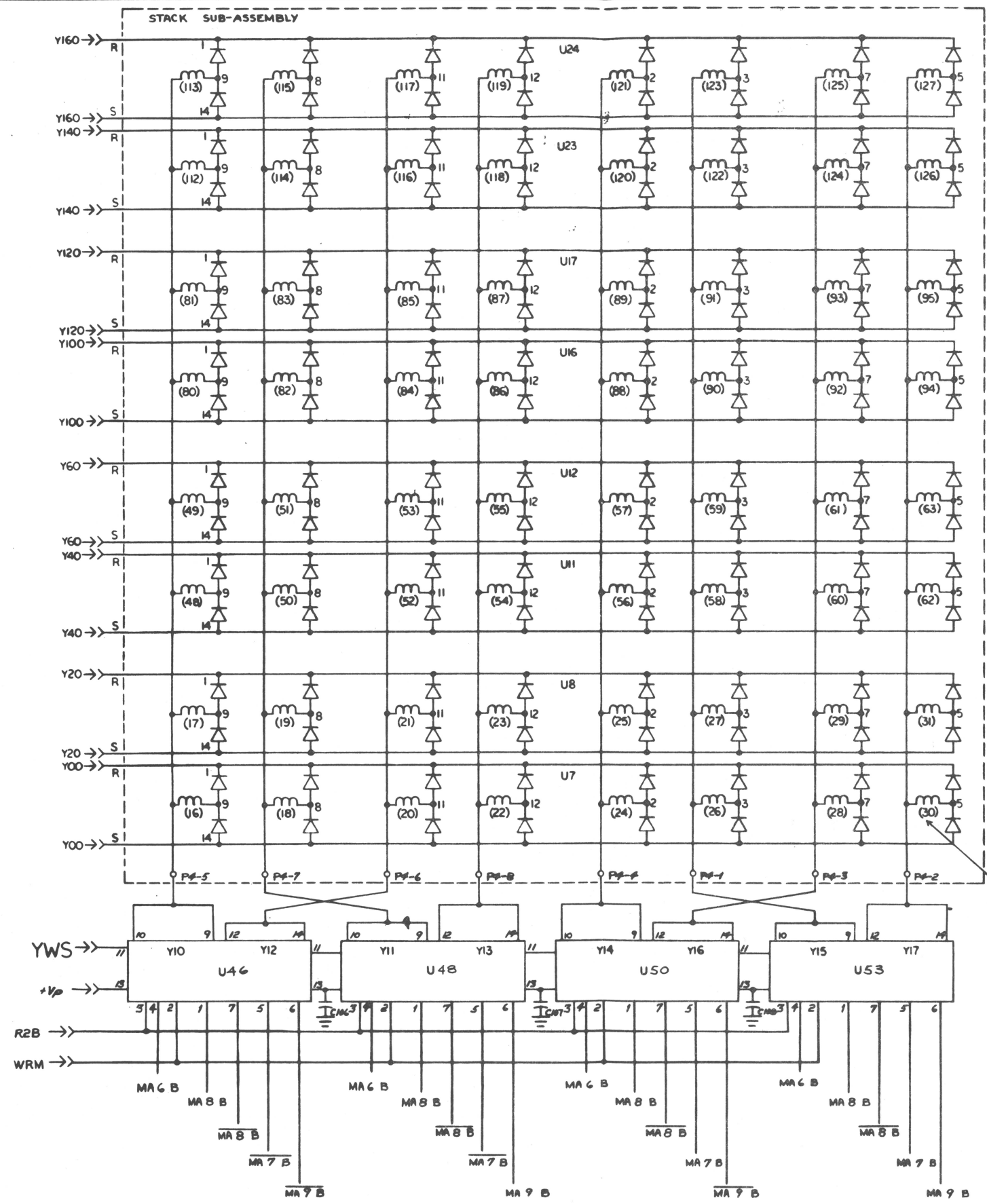
QTY.	DESCRIPTION	PART NO.

UNLESS OTHERWISE SPECIFIED - DIMENSIONS ARE IN INCHES - FRACTIONS DECIMALS ANGLES	DRAWN G.H.T. JOHNSON 7/3/71 CHECKED JOK ENGINEER J.S. 9/25 APPROVED FIRST USED ON 107-000137 MATERIAL FINISH	<b>DATA GENERAL CORPORATION</b> SOUTHBORO, MASSACHUSETTS 01772 TITLE <b>8K MEMORY Y DRIVERS</b> DRAWING NUMBER 000238 REV 05
---	--	---

THE DRAWING AND SPECIFICATIONS HEREIN ARE THE PROPERTY OF DATA GENERAL CORPORATION AND SHALL NOT BE REPRODUCED OR COPIED OR USED IN WHOLE OR IN PART AS THE BASIS FOR MANUFACTURE OR SALE OF ITEMS WITHOUT WRITTEN PERMISSION.

REVISIONS				
REV.	DESCRIPTION	DRFTG.	APP. BY	DATE



NOTE 1

NOTE:-  
1. FOR STACK VENDOR USE ONLY.

NOTE: ALL CAPACITORS ARE IN MICROFARADS, AND ALL RESISTORS ARE IN OHMS, 1/4 WATT, WITH 5% TOLERANCE UNLESS OTHERWISE SPECIFIED.

QTY.	DESCRIPTION	PART NO.

DRAWN CJET JOHNSON 9/5/71		<b>DATA GENERAL CORPORATION</b>	
CHECKED		SOUTHBORO, MASSACHUSETTS 01772	
ENGINEER J.S. 9/25		TITLE 8K MEMORY Y DRIVERS	
APPROVED		FIRST USED ON 107-000137	
MATERIAL		DRAWING NUMBER 000238	
FINISH		REV 05	