

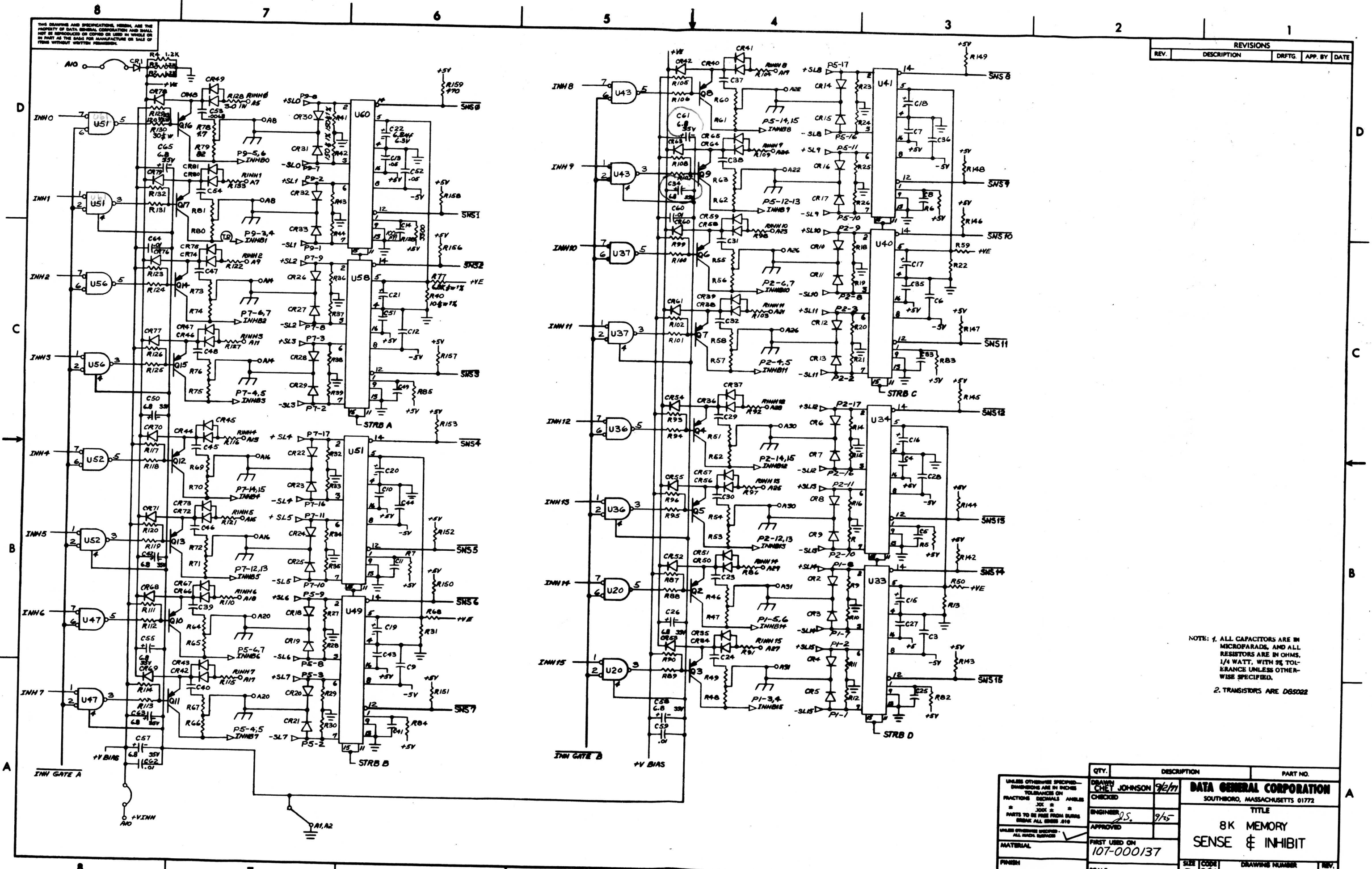
REVISIONS				
REV	DESCRIPTION	DRFTG	APP BY	DATE
01	ECO# 1002	R.W.C.	R.W.C.	2/77
02	ECO# 1117	R.W.C.	R.W.C.	10/77
03	ECO# 1259	R.W.C.	R.W.C.	12/77
04	ECO# 1402	R.W.C.	R.W.C.	4/78
05	ECO# 1526	R.W.C.	R.W.C.	8/78

NOTE: ALL CAPACITORS ARE IN MICROFARADS, AND ALL RESISTORS ARE IN OHMS, 1/4 WATT, WITH 5% TOLERANCE UNLESS OTHERWISE SPECIFIED.

QTY.	DESCRIPTION	PART NO.
	C93	470
	C1	35V
	C68	.05
	C71	.05
	C72	.05
	C73	.05
	C74	.05
	C75	.05
	C76	.05
	C77	.05
	C78	.05
	C79	.05
	C80	.05
	C81	.05
	C82	.05
	C83	.05
	C84	.05
	C85	.05
	C86	.05
	C87	.05
	C88	.05
	C89	.05
	C90	.05
	C91	.05
	C92	.05
	C93	.05
	C94	.05
	C95	.05
	C96	.05
	C97	.05
	C98	.05
	C99	.05
	C100	.05
	C101	.05
	C102	.05
	C103	.05
	C104	.05
	C105	.05
	C106	.05
	C107	.05
	C108	.05
	C109	.05
	C110	.05
	C111	.05
	C112	.05
	C113	.05
	C114	.05
	C115	.05
	C116	.05
	C117	.05
	C118	.05
	C119	.05
	C120	.05
	C121	.05
	C122	.05
	C123	.05
	C124	.05
	C125	.05
	C126	.05
	C127	.05
	C128	.05
	C129	.05
	C130	.05
	C131	.05
	C132	.05
	C133	.05
	C134	.05
	C135	.05
	C136	.05
	C137	.05
	C138	.05
	C139	.05
	C140	.05
	C141	.05
	C142	.05
	C143	.05
	C144	.05
	C145	.05
	C146	.05
	C147	.05
	C148	.05
	C149	.05
	C150	.05
	C151	.05
	C152	.05
	C153	.05
	C154	.05
	C155	.05
	C156	.05
	C157	.05
	C158	.05
	C159	.05
	C160	.05
	C161	.05
	C162	.05
	C163	.05
	C164	.05
	C165	.05
	C166	.05
	C167	.05
	C168	.05
	C169	.05
	C170	.05
	C171	.05
	C172	.05
	C173	.05
	C174	.05
	C175	.05
	C176	.05
	C177	.05
	C178	.05
	C179	.05
	C180	.05
	C181	.05
	C182	.05
	C183	.05
	C184	.05
	C185	.05
	C186	.05
	C187	.05
	C188	.05
	C189	.05
	C190	.05
	C191	.05
	C192	.05
	C193	.05
	C194	.05
	C195	.05
	C196	.05
	C197	.05
	C198	.05
	C199	.05
	C200	.05
	C201	.05
	C202	.05
	C203	.05
	C204	.05
	C205	.05
	C206	.05
	C207	.05
	C208	.05
	C209	.05
	C210	.05
	C211	.05
	C212	.05
	C213	.05
	C214	.05
	C215	.05
	C216	.05
	C217	.05
	C218	.05
	C219	.05
	C220	.05
	C221	.05
	C222	.05
	C223	.05
	C224	.05
	C225	.05
	C226	.05
	C227	.05
	C228	.05
	C229	.05
	C230	.05
	C231	.05
	C232	.05
	C233	.05
	C234	.05
	C235	.05
	C236	.05
	C237	.05
	C238	.05
	C239	.05
	C240	.05
	C241	.05
	C242	.05
	C243	.05
	C244	.05
	C245	.05
	C246	.05
	C247	.05
	C248	.05
	C249	.05
	C250	.05
	C251	.05
	C252	.05
	C253	.05
	C254	.05
	C255	.05
	C256	.05
	C257	.05
	C258	.05
	C259	.05
	C260	.05
	C261	.05
	C262	.05
	C263	.05
	C264	.05
	C265	.05
	C266	.05
	C267	.05
	C268	.05
	C269	.05
	C270	.05
	C271	.05
	C272	.05
	C273	.05
	C274	.05
	C275	.05
	C276	.05
	C277	.05
	C278	.05
	C279	.05
	C280	.05
	C281	.05
	C282	.05
	C283	.05
	C284	.05
	C285	.05
	C286	.05
	C287	.05
	C288	.05
	C289	.05
	C290	.05
	C291	.05
	C292	.05
	C293	.05
	C294	.05
	C295	.05
	C296	.05
	C297	.05
	C298	.05
	C299	.05
	C300	.05
	C301	.05
	C302	.05
	C303	.05
	C304	.05
	C305	.05
	C306	.05
	C307	.05
	C308	.05
	C309	.05
	C310	.05
	C311	.05
	C312	.05
	C313	.05
	C314	.05
	C315	.05
	C316	.05
	C317	.05
	C318	.05
	C319	.05
	C320	.05
	C321	.05
	C322	.05
	C323	.05
	C324	.05
	C325	.05
	C326	.05
	C327	.05
	C328	.05
	C329	.05
	C330	.05
	C331	.05
	C332	.05
	C333	.05
	C334	.05
	C335	.05
	C336	.05
	C337	.05
	C338	.05
	C339	.05
	C340	.05
	C341	.05
	C342	.05
	C343	.05
	C344	.05
	C345	.05
	C346	.05
	C347	.05
	C348	.05
	C349	.05
	C350	.05
	C351	.05
	C352	.05
	C353	.05
	C354	.05
	C355	.05
	C356	.05
	C357	.05
	C358	.05
	C359	.05
	C360	.05
	C361	.05
	C362	.05
	C363	.05
	C364	.05
	C365	.05
	C366	.05
	C367	.05
	C368	.05
	C369	.05
	C370	.05
	C371	.05
	C372	.05
	C373	.05
	C374	.05
	C375	.05
	C376	.05
	C377	.05
	C378	.05
	C379	.05
	C380	.05
	C381	.05
	C382	.05
	C383	.05
	C384	.05
	C385	.05
	C386	.05
	C387	.05
	C388	.05
	C389	.05
	C390	.05
	C391	.05
	C392	.05
	C393	.05
	C394	.05
	C395	.05
	C396	.05
	C397	.05
	C398	.05
	C399	.05
	C400	.05
	C401	.05
	C402	.05
	C403	.05
	C404	.05
	C405	.05
	C406	.05
	C407	.05
	C408	.05
	C409	.05
	C410	.05
	C411	.05
	C412	.05
	C413	.05
	C414	.05
	C415	.05
	C416	.05
	C417	.05
	C418	.05
	C419	.05
	C420	.05
	C421	.05
	C422	.05
	C423	.05
	C424	.05
	C425	.05
	C426	.05
	C427	.05
	C428	.05
	C429	.05
	C430	.05
	C431	.05
	C432	.05
	C433	.05
	C434	.05
	C435	.05
	C436	.05
	C437	.05
	C438	.05
	C439	.05
	C440	.05
	C441	.05
	C442	.05
	C443	.05
	C444	.05
	C445	.05
	C446	.05
	C447	.05
	C448	.05
	C449	.05
	C450	.05
	C451	.05
	C452	.05
	C453	.05
	C454	.05
	C455	.05
	C456	.05
	C457	.05
	C458	.05
	C459	.05
	C460	.05
	C461	.05
	C462	.05
	C463	.05
	C464	.05
	C465	.05
	C4	

THIS DRAWING AND SPECIFICATIONS HEREIN ARE THE PROPERTY OF DATA GENERAL CORPORATION AND SHALL NOT BE REPRODUCED OR COPIED OR USED IN WHOLE OR IN PART AS THE BASIS FOR MANUFACTURE OR SALE OF ITEMS WITHOUT WRITTEN PERMISSION.

REVISIONS			
REV.	DESCRIPTION	DRAFTG.	APP. BY DATE



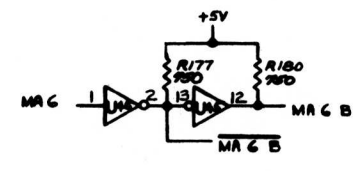
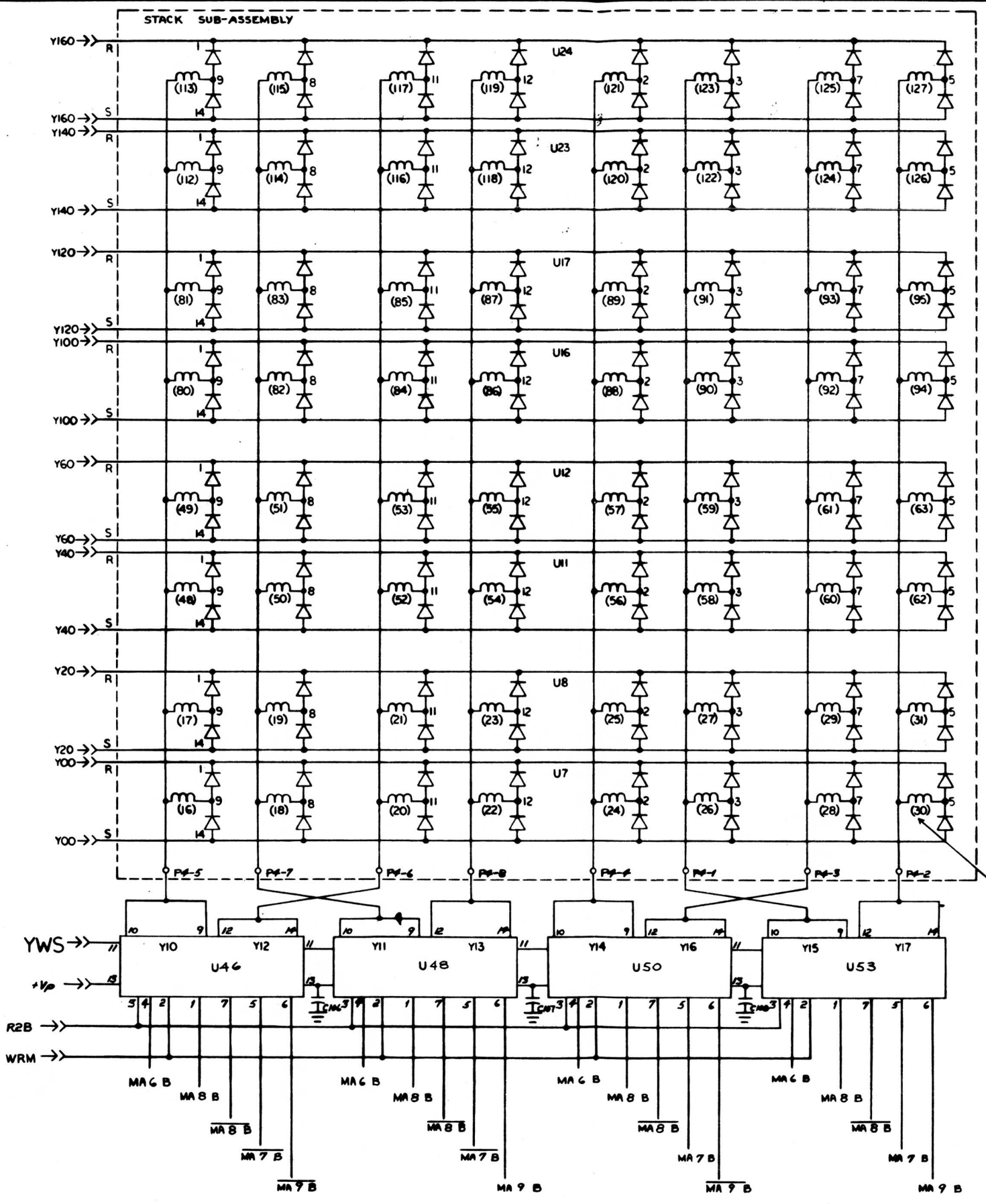
NOTE: 1. ALL CAPACITORS ARE IN MICROFARADS, AND ALL RESISTORS ARE IN OHMS, 1/4 WATT, WITH 5% TOLERANCE UNLESS OTHERWISE SPECIFIED.
2. TRANSISTORS ARE D65022

QTY.	DESCRIPTION	PART NO.

UNLESS OTHERWISE SPECIFIED - DIMENSIONS ARE IN INCHES FRACTIONS DECIMALS ANGLES	DATA GENERAL CORPORATION SOUTHBORO, MASSACHUSETTS 01772 TITLE 8K MEMORY SENSE & INHIBIT
UNLESS OTHERWISE SPECIFIED - ALL DIMENSIONS ARE IN INCHES	DRAWN BY: CHEI JOHNSON CHECKED: [Signature] ENGINEER: [Signature] APPROVED: [Signature] FIRST USED ON: 107-000137
MATERIAL	SIZE: D CODE: 001 DRAWING NUMBER: 000238 REV: 05
FINISH	SCALE

THE DIMENSIONS AND SPECIFICATIONS HEREIN ARE THE PROPERTY OF DATA GENERAL CORPORATION AND SHALL NOT BE REPRODUCED OR COPIED OR USED IN WHOLE OR IN PART AS THE BASIS FOR MANUFACTURE OR SALE OF ITEMS WITHOUT WRITTEN PERMISSION.

REVISIONS				
REV.	DESCRIPTION	DRFTG.	APP. BY	DATE



NOTE 1

NOTE:-
1. FOR STACK VENDOR USE ONLY.

NOTE: ALL CAPACITORS ARE IN MICROPARADE, AND ALL RESISTORS ARE IN OHMS, 1/4 WATT, WITH 5% TOLERANCE UNLESS OTHERWISE SPECIFIED.

UNLESS OTHERWISE SPECIFIED—DIMENSIONS ARE IN INCHES TOLERANCES ON FRACTIONS DECIMALS ON ANGLES JOE S. PARTS TO BE FREE FROM BURRS BREAK ALL EDGES .010	QTY.	DESCRIPTION	PART NO.
DRAWN C-JET JOHNSON 7/5/71	CHECKED	DATA GENERAL CORPORATION	SOUTHBORO, MASSACHUSETTS 01772
ENGINEER JOE S. 7/25	APPROVED	TITLE	8K MEMORY Y DRIVERS
FIRST USED ON 107-000137	SCALE	SIZE	CODE D 001
MATERIAL	FINISH	DRAWING NUMBER	000238
		REV.	06