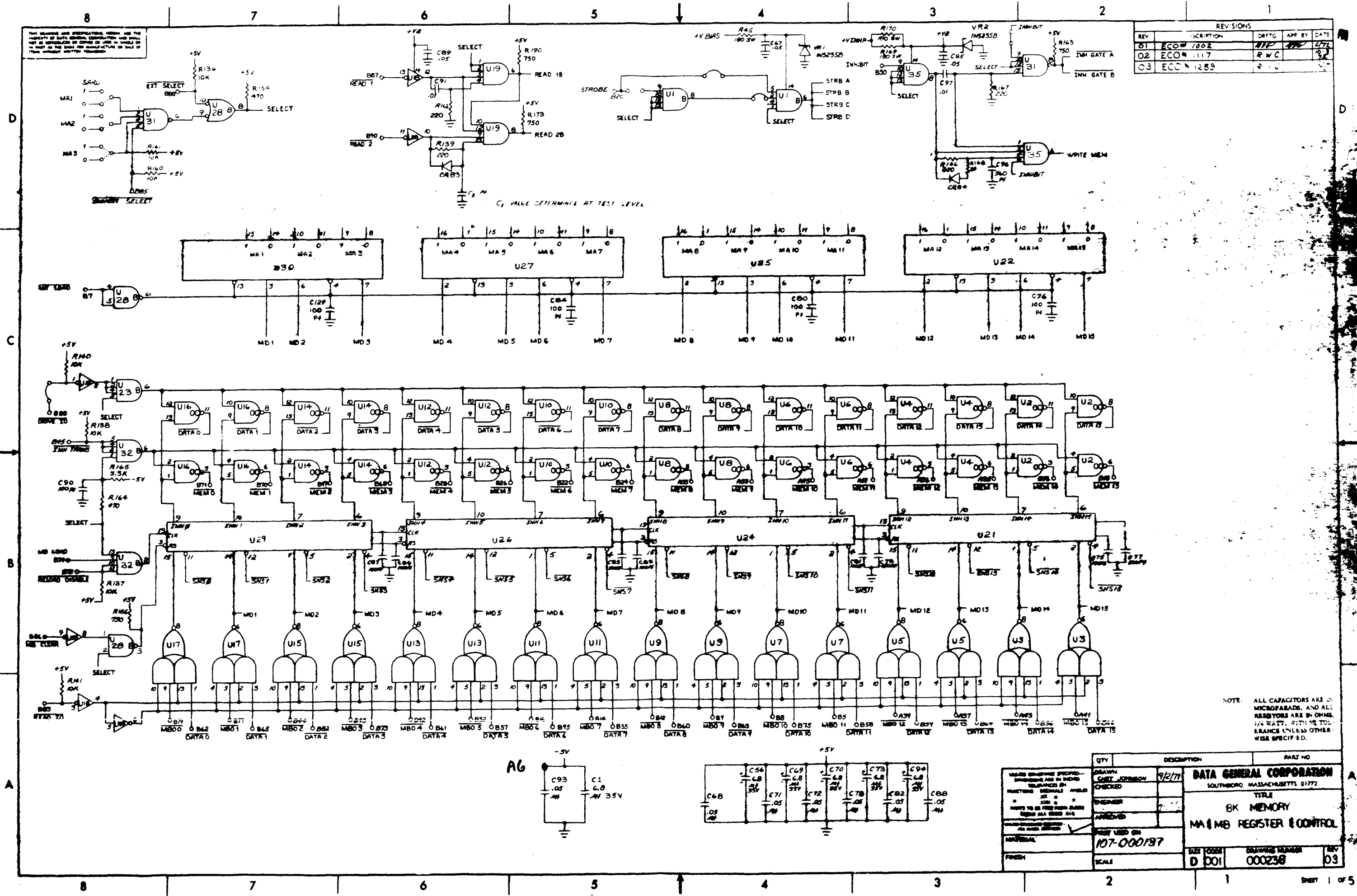


REVISIONS				
REV	DESCRIPTION	DRFTG	APP BY	DATE
01	ECO# 1002	WJF	WJF	1/72
02	ECO# 1117	RWC		3/72
03	ECO# 1259	RWC		

THE DIMENSIONS AND OPERATIONAL MODES ARE THE PROPERTY OF DATA GENERAL CORPORATION AND SHALL NOT BE REPRODUCED OR USED IN WHOLE OR IN PART AS THE BASIS FOR MANUFACTURE OR SALE OF THIS WITHOUT WRITTEN PERMISSION.

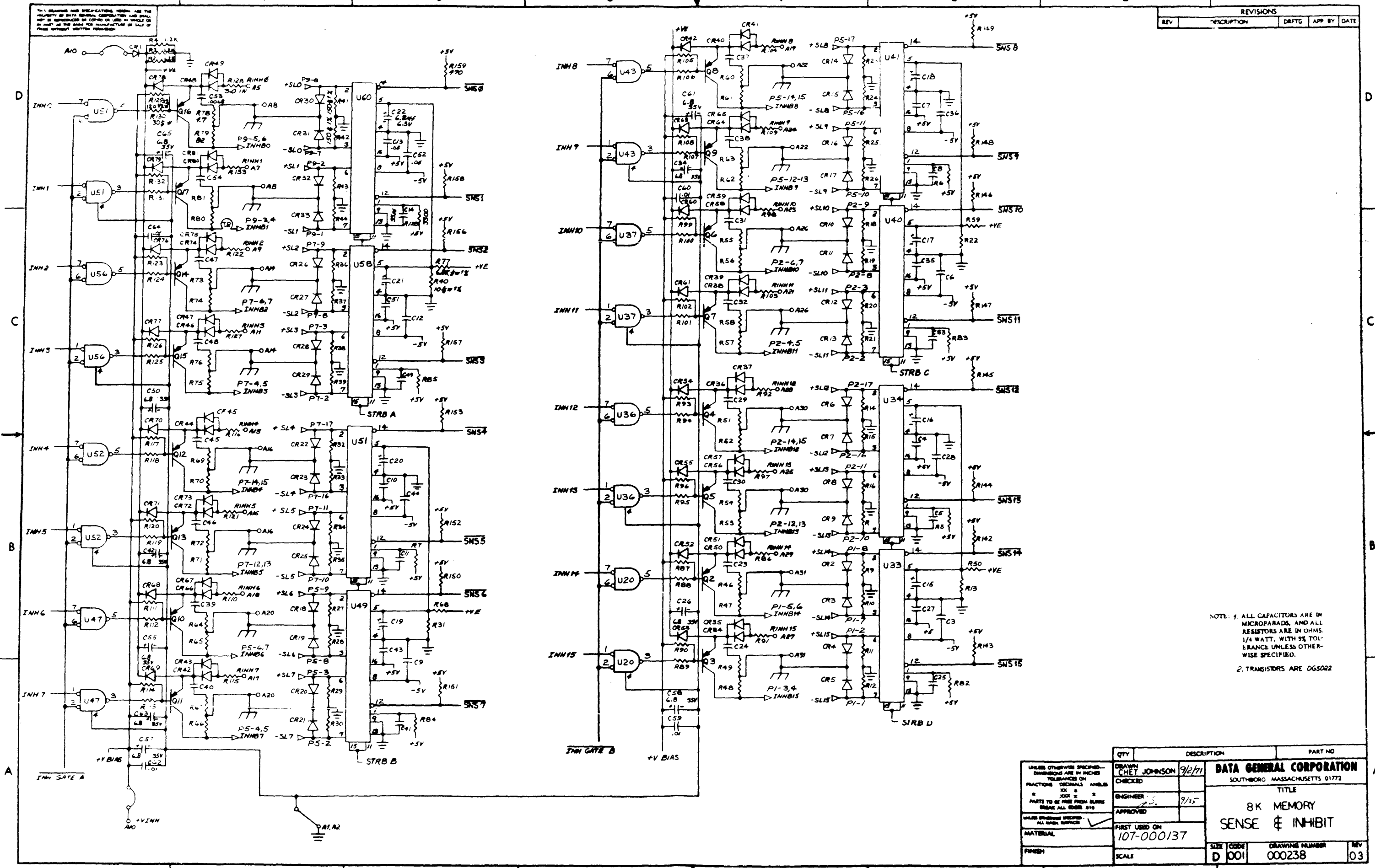


NOTE: ALL CAPACITORS ARE IN MICROFARADS, AND ALL RESISTORS ARE IN OHMS, UNLESS OTHERWISE SPECIFIED.

QTY	DESCRIPTION	PART NO
	DATA GENERAL CORPORATION	
	SOUTHBORO, MASSACHUSETTS 01772	
	TITLE	
	BK MEMORY	
	MA (MB) REGISTER & CONTROL	
	DATE	
	107-000187	
	SCALE	
	D 001	
	DRAWING NUMBER	
	000258	
	REV	
	03	

THIS DRAWING AND SPECIFICATIONS HEREBY ARE THE PROPERTY OF DATA GENERAL CORPORATION AND SHALL NOT BE REPRODUCED OR COPIED OR USED IN WHOLE OR IN PART AS THE BASIS FOR MANUFACTURE OF ANY OF THESE WITHOUT WRITTEN PERMISSION.

REVISIONS			
REV	DESCRIPTION	DRFTG	APP BY DATE



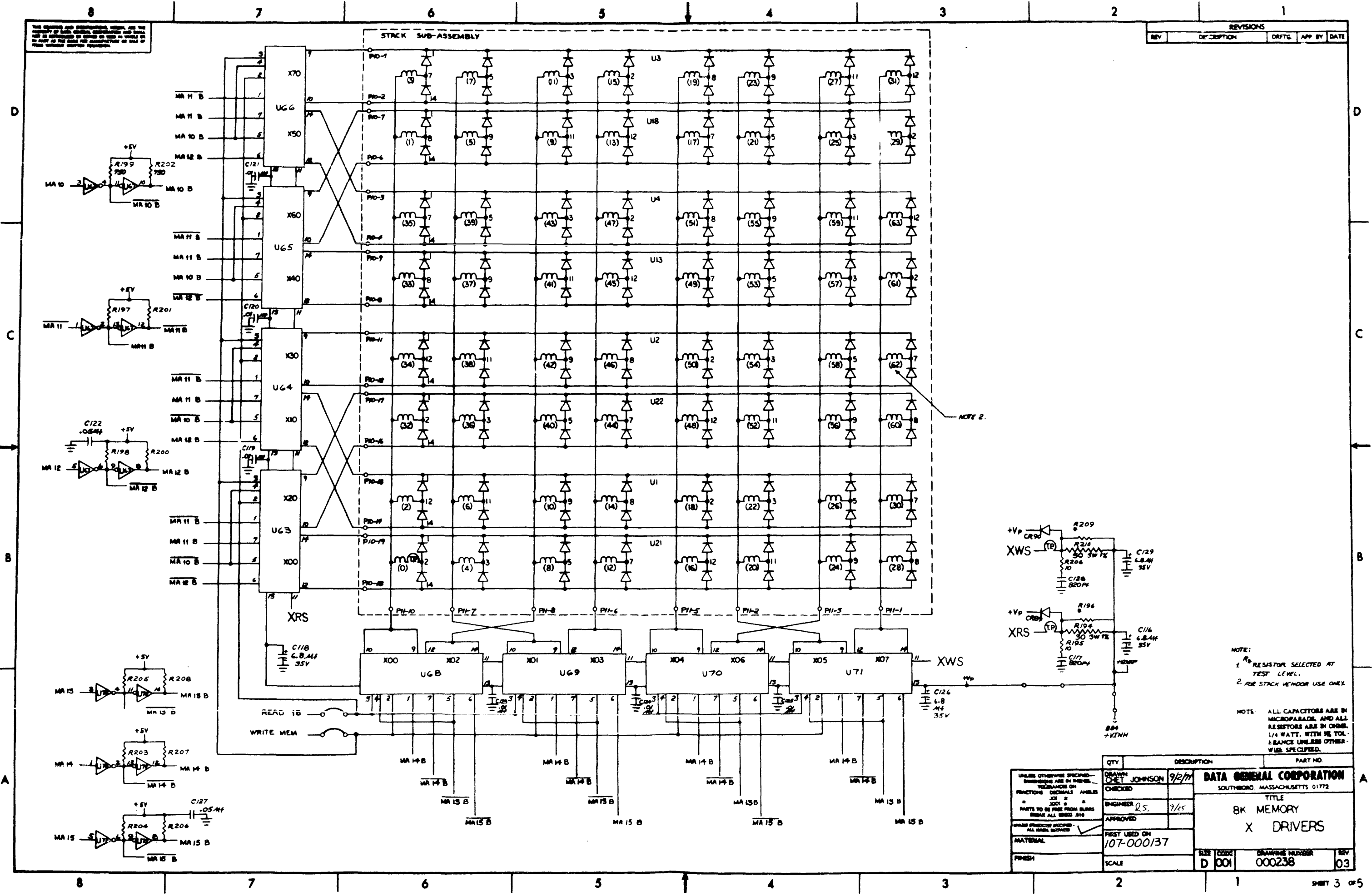
NOTE: 1. ALL CAPACITORS ARE IN MICROFARADS, AND ALL RESISTORS ARE IN OHMS, 1/4 WATT, WITH 5% TOLERANCE UNLESS OTHERWISE SPECIFIED.
2. TRANSISTORS ARE DGS022

QTY	DESCRIPTION	PART NO

UNLESS OTHERWISE SPECIFIED—DIMENSIONS ARE IN INCHES FRACTIONS DECIMALS ANGLES * PARTS TO BE FREE FROM BURRS FINISH ALL EDGES R10	DRAWN: CHET JOHNSON 9/2/71 CHECKED: [] ENGINEER: [] 9/2/71 APPROVED: [] FIRST USED ON: 107-000137	DATA GENERAL CORPORATION SOUTHBORO MASSACHUSETTS 01772 TITLE: 8K MEMORY SENSE & INHIBIT
MATERIAL	SCALE	DRAWING NUMBER: 000238
FINISH	SCALE	REV: 03

THIS DRAWING AND ASSOCIATED DRAWINGS ARE THE PROPERTY OF DATA GENERAL CORPORATION AND SHALL NOT BE REPRODUCED OR TRANSMITTED IN ANY FORM OR BY ANY MEANS, ELECTRONIC OR MECHANICAL, INCLUDING PHOTOCOPYING, RECORDING, OR BY ANY INFORMATION STORAGE AND RETRIEVAL SYSTEM, WITHOUT THE WRITTEN PERMISSION OF DATA GENERAL CORPORATION.

REVISIONS				
REV	DESCRIPTION	DRFTG	APP BY	DATE



NOTE 2.

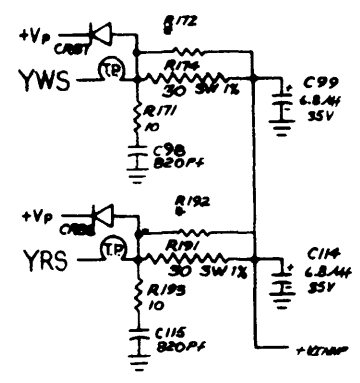
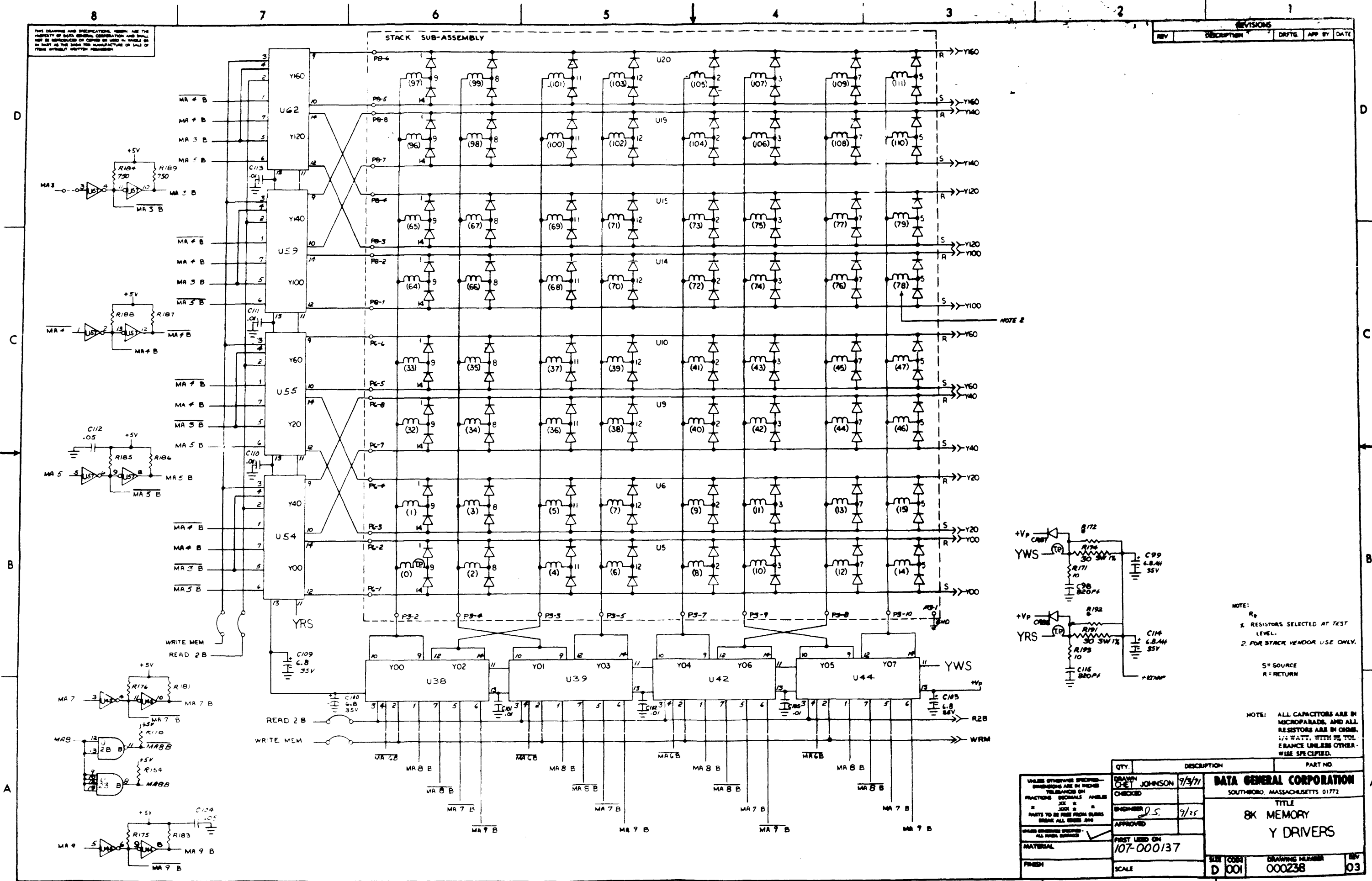
- NOTE:
- RESISTOR SELECTED AT TEST LEVEL.
 - FOR STACK VENDOR USE ONLY.

NOTE: ALL CAPACITORS ARE IN MICROFARADS, AND ALL RESISTORS ARE IN OHMS, 1/4 WATT, WITH 5% TOLERANCE UNLESS OTHERWISE SPECIFIED.

UNLESS OTHERWISE SPECIFIED - DIMENSIONS ARE IN INCHES - TOLERANCES ON DECIMALS - ANGLES CHECKED DIMENSIONS ON PARTS TO BE FREE FROM BLURS - BREAK ALL SIZES 1/16"	QTY	DESCRIPTION	PART NO.
DRAWN BY: O.E.T. JOHNSON CHECKED BY: [Signature] ENGINEER: R.S. APPROVED BY: [Signature]	9/27/77 9/65	DATA GENERAL CORPORATION SOUTH BORD, MASSACHUSETTS 01772	
FIRST USED ON: 107-000/37	SCALE: D	CODE: 001	DRAWING NUMBER: 000238 REV: 03
MATERIAL: FINISH:	TITLE: 8K MEMORY X DRIVERS	SIZE:	SHEET: 3 OF 5

REVISIONS			
REV	DESCRIPTION	DWG DATE	APP BY DATE

THIS DRAWING AND SPECIFICATIONS, HEREIN, ARE THE PROPERTY OF DATA GENERAL CORPORATION AND SHALL NOT BE REPRODUCED OR COPIED IN WHOLE OR IN PART AS THE BASIS FOR MANUFACTURE OR SALE OF ITEMS WITHOUT WRITTEN PERMISSION.



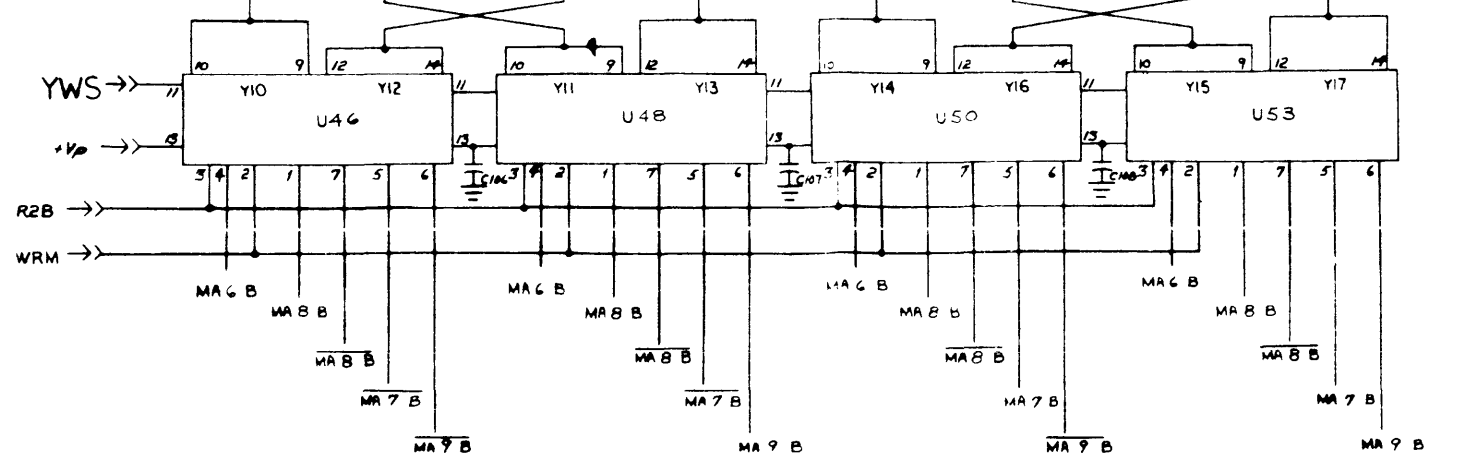
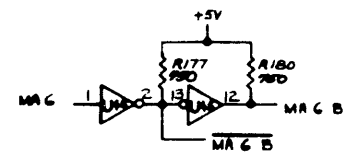
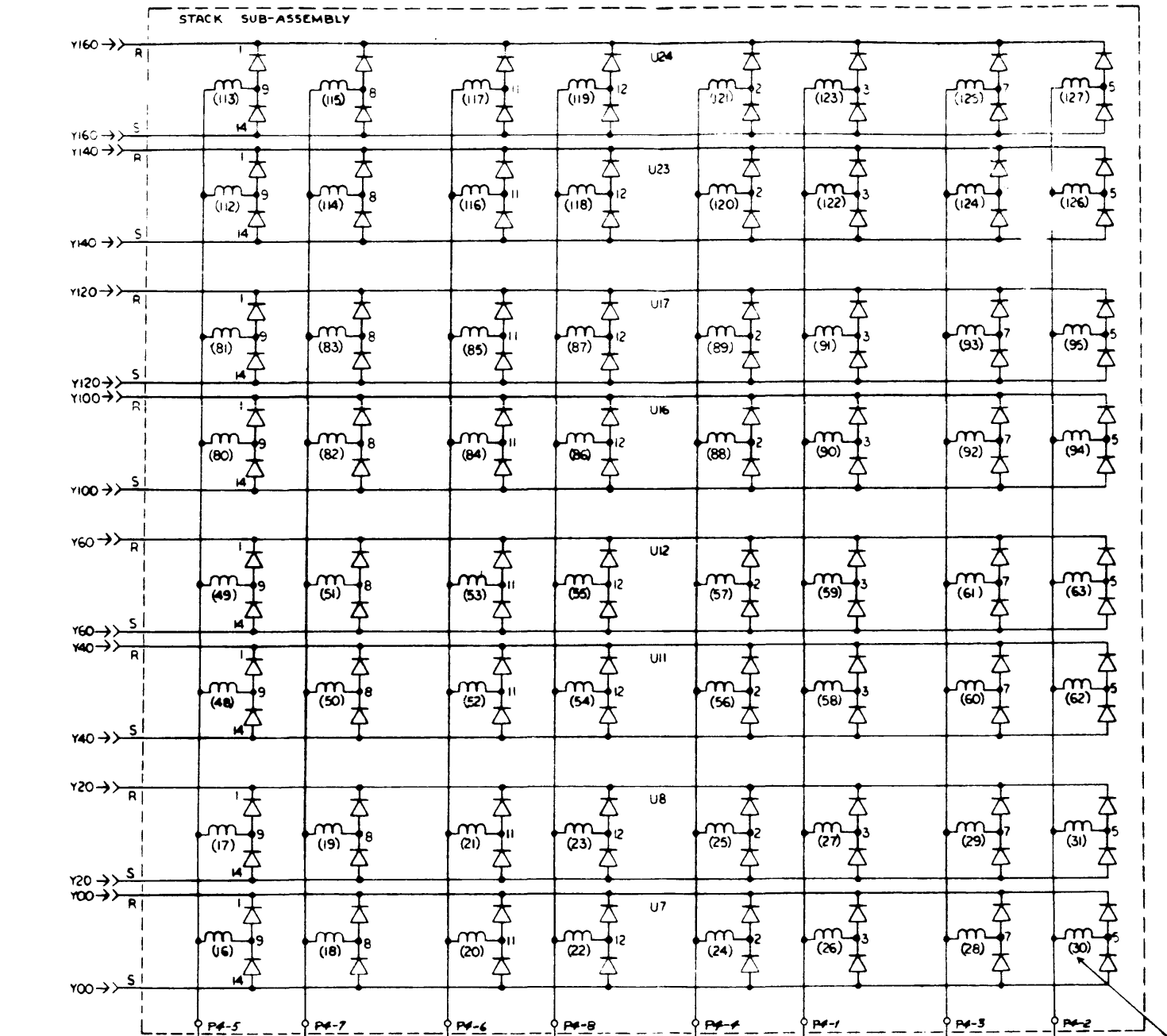
NOTE:
 R₆
 1. RESISTORS SELECTED AT TEST LEVEL.
 2. FOR STACK VENDOR USE ONLY.
 S=SOURCE
 R=RETURN

NOTE: ALL CAPACITORS ARE IN MICROFARADS, AND ALL RESISTORS ARE IN OHMS, 1/4 WATT, WITH 5% TOLERANCE UNLESS OTHERWISE SPECIFIED.

QTY.	DESCRIPTION	PART NO.
UNLESS OTHERWISE SPECIFIED - DIMENSIONS ARE IN INCHES FRACTIONS DECIMALS ANGLES JOE = JACK = PARTS TO BE FREE FROM BURRS BRASS ALL OTHERS ARE UNLESS OTHERWISE SPECIFIED - ALL DIMENSIONS MATERIAL FINISH		
DRAWN C.E.T. JOHNSON 9/27/71 CHECKED ENGINEER J.S. 9/25 APPROVED FIRST USED ON 107-000137 SCALE	DATA GENERAL CORPORATION SOUTH BORO, MASSACHUSETTS 01772 TITLE 8K MEMORY Y DRIVERS SIZE CODE D 001 DRAWING NUMBER 000238 REV 03	

REVISIONS			
REV	DESCRIPTION	DRAFTG	APP BY DATE

THE DRAWING AND SPECIFICATION HEREIN ARE THE PROPERTY OF DATA GENERAL CORPORATION AND SHALL NOT BE REPRODUCED OR COPIED IN WHOLE OR IN PART AS THE BASIS FOR MANUFACTURE OR SALE OF PRODUCTS WITHOUT WRITTEN PERMISSION.



NOTE 1

NOTE:-
1. FOR STACK VENDOR USE ONLY.

NOTE: ALL CAPACITORS ARE IN MICROPARADE. AND ALL RESISTORS ARE IN OHMS. 1/4 WATT, WITH 5% TOLERANCE UNLESS OTHERWISE SPECIFIED.

QTY	DESCRIPTION	PART NO

UNLESS OTHERWISE SPECIFIED— DIMENSIONS ARE IN INCHES TOLERANCES ON FRACTIONS DECIMALS ANGLES ± .001 ± .0005 ± PARTS TO BE FREE FROM BURRS BREAK ALL EDGES 019 UNLESS OTHERWISE SPECIFIED ALL MACH SURFACES	DRAWN CHET JOHNSON 9/5/71 CHECKED ENGINEER J.S. 9/25 APPROVED FIRST USED ON 107-000137	DATA GENERAL CORPORATION SOUTH-BORO, MASSACHUSETTS 01772 TITLE 8K MEMORY Y DRIVERS
MATERIAL	SCALE	SIZE CODE D 001
FINISH		DRAWING NUMBER 000238
		REV 03