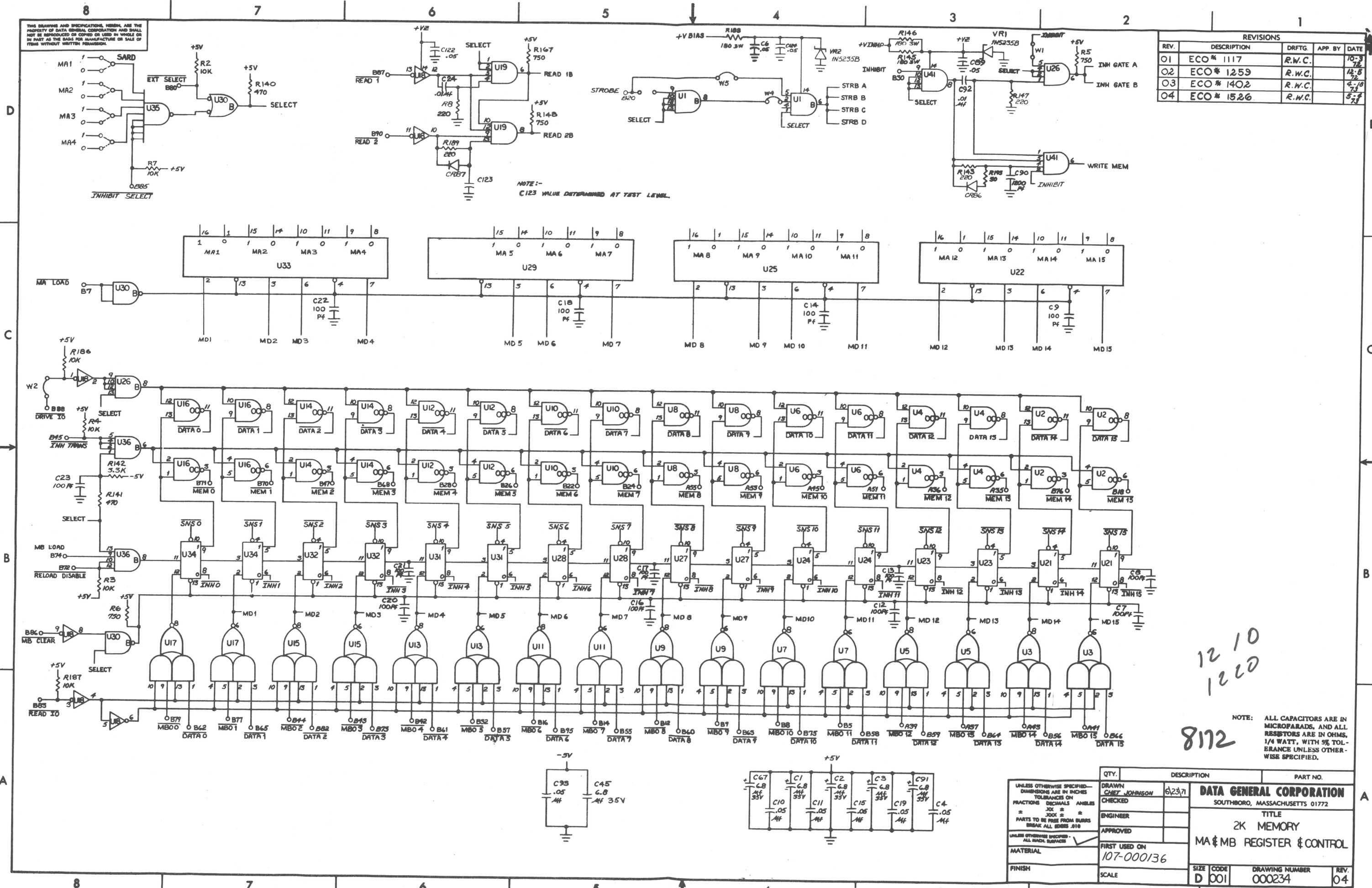


THIS DRAWING AND SPECIFICATIONS HEREIN ARE THE PROPERTY OF DATA GENERAL CORPORATION AND SHALL NOT BE REPRODUCED OR COPIED OR USED IN WHOLE OR IN PART AS THE BASIS FOR MANUFACTURE OR SALE OF ITEMS WITHOUT WRITTEN PERMISSION.

REVISIONS				
REV.	DESCRIPTION	DRFTG.	APP. BY	DATE
01	ECO # 1117	R.W.C.		10-3-71
02	ECO # 1259	R.W.C.		12-8-71
03	ECO # 1402	R.W.C.		4-10-72
04	ECO # 1526	R.W.C.		5-2-72



12 10  
12 20

NOTE: ALL CAPACITORS ARE IN MICROFARADS, AND ALL RESISTORS ARE IN OHMS, 1/4 WATT, WITH 5% TOLERANCE UNLESS OTHERWISE SPECIFIED.

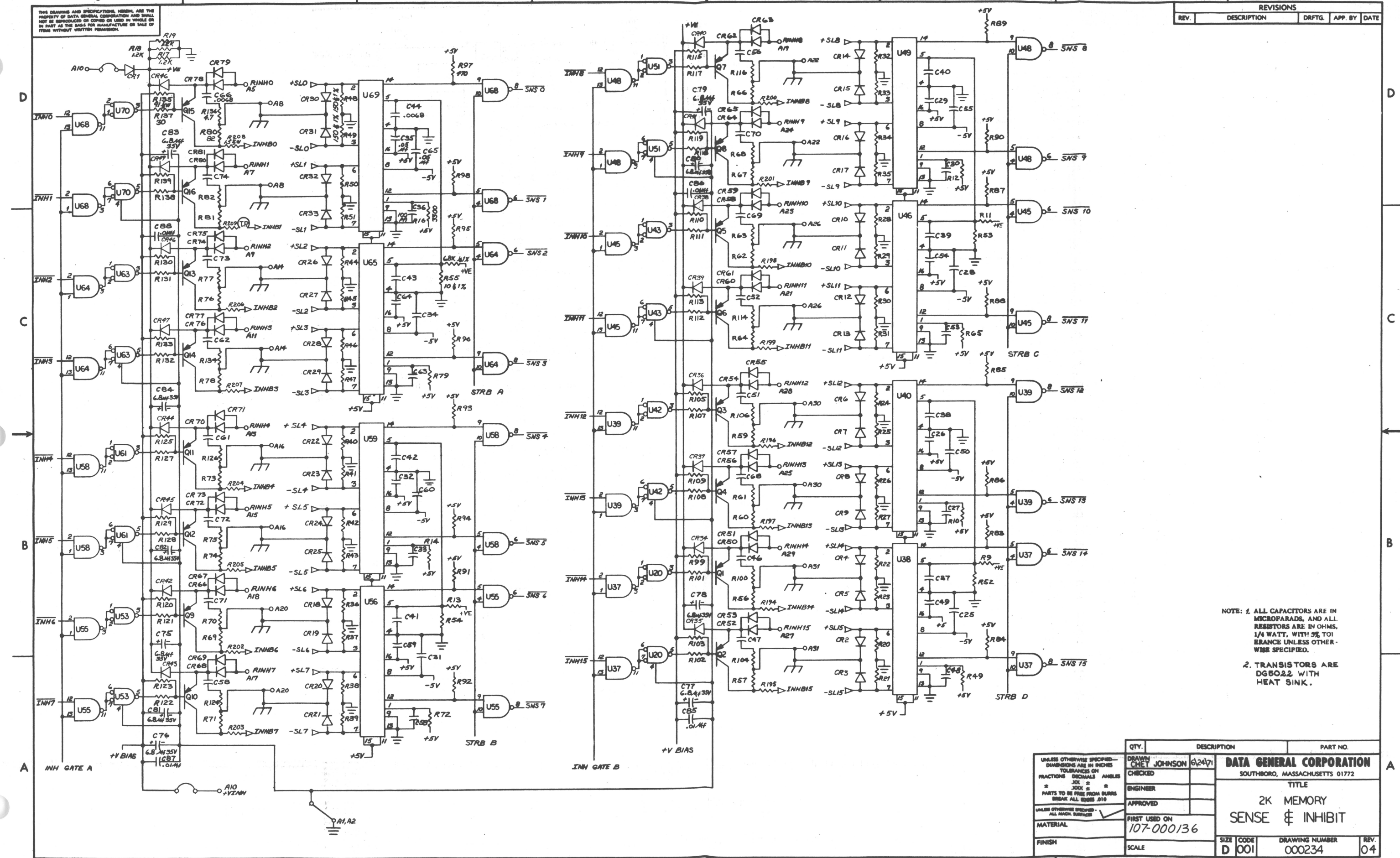
QTY.	DESCRIPTION	PART NO.
	DRAWN CHEF JOHNSON	6237
	CHECKED	
	ENGINEER	
	APPROVED	
	FIRST USED ON 107-000136	
	MATERIAL	
	FINISH	

DATA GENERAL CORPORATION		
SOUTHBORO, MASSACHUSETTS 01772		
TITLE		
2K MEMORY		
MA & MB REGISTER & CONTROL		
SIZE	CODE	DRAWING NUMBER
D	001	000234
REV.	04	

THIS DRAWING AND SPECIFICATIONS HEREIN ARE THE PROPERTY OF DATA GENERAL CORPORATION AND SHALL NOT BE REPRODUCED OR COPIED OR USED IN WHOLE OR IN PART AS THE BASIS FOR MANUFACTURE OR SALE OF ITEMS WITHOUT WRITTEN PERMISSION.

REV.	DESCRIPTION	DRFTG.	APP. BY	DATE

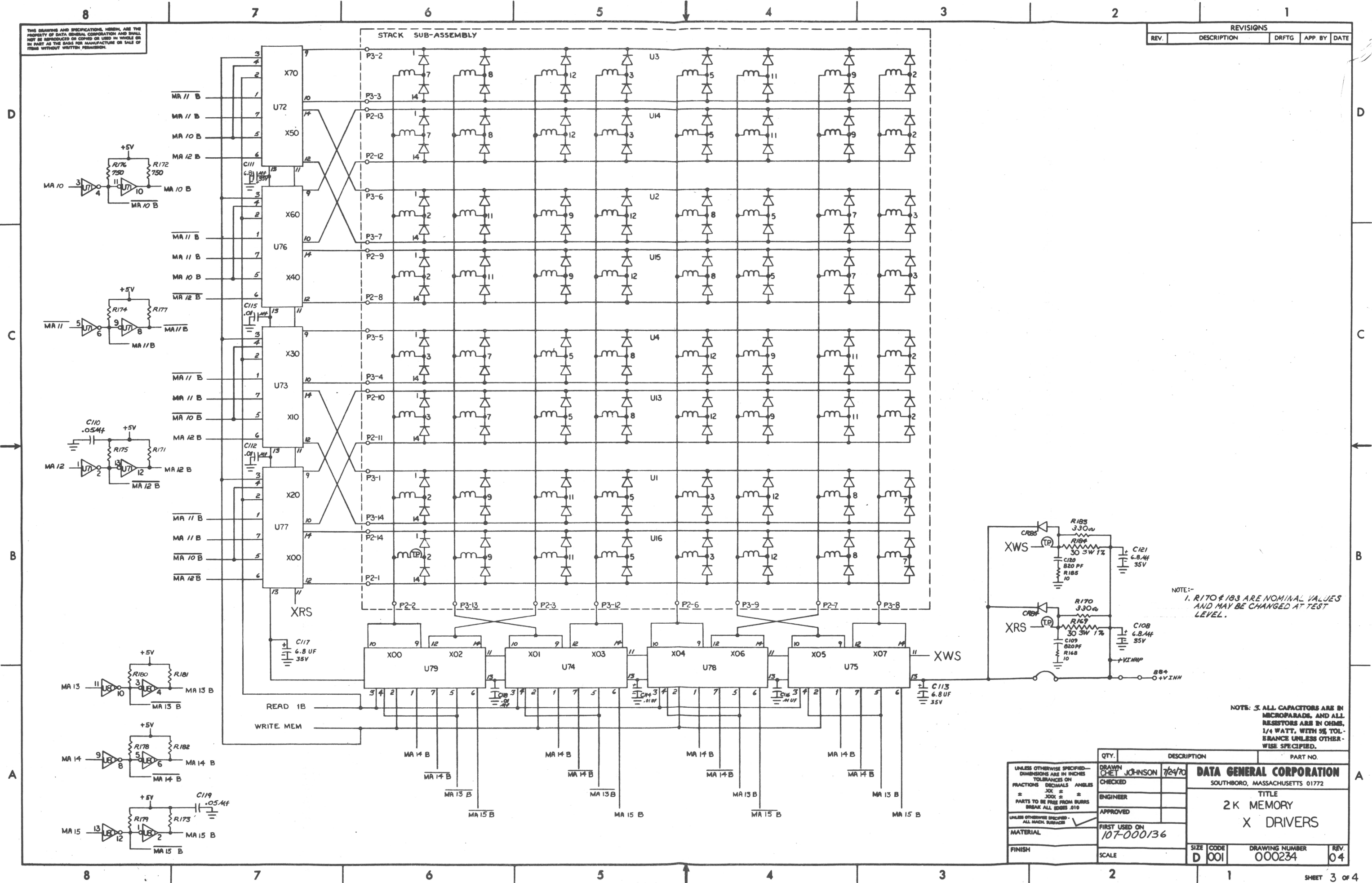


NOTE: 1. ALL CAPACITORS ARE IN MICROFARADS, AND ALL RESISTORS ARE IN OHMS, 1/4 WATT, WITH 5% TOLERANCE UNLESS OTHERWISE SPECIFIED.  
2. TRANSISTORS ARE DG502.2 WITH HEAT SINK.

QTY.	DESCRIPTION	PART NO.		
UNLESS OTHERWISE SPECIFIED - DIMENSIONS ARE IN INCHES	DRAWN BY: CHEY JOHNSON 6/24/71	DATA GENERAL CORPORATION SOUTHBORO, MASSACHUSETTS 01772		
FRACTIONS DECIMALS ANGLES				
PARTS TO BE FREE FROM BURRS - BREAK ALL EDGES .010	CHECKED BY: JOK	TITLE		
UNLESS OTHERWISE SPECIFIED - ALL MACH SURFACES	APPROVED BY: JOK	2K MEMORY SENSE & INHIBIT		
MATERIAL	FIRST USED ON: 107-000/36	SIZE CODE: D 001	DRAWING NUMBER: 000234	REV: 04
FINISH	SCALE			

THIS DRAWING AND SPECIFICATIONS HEREIN ARE THE PROPERTY OF DATA GENERAL CORPORATION AND SHALL NOT BE REPRODUCED OR COPIED OR USED IN WHOLE OR IN PART AS THE BASIS FOR MANUFACTURE OR SALE OF ITEMS WITHOUT WRITTEN PERMISSION.

REVISIONS				
REV.	DESCRIPTION	DRFTG	APP. BY	DATE



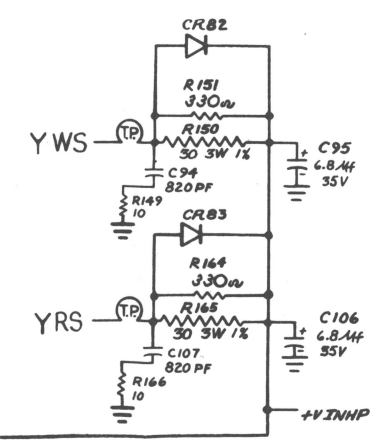
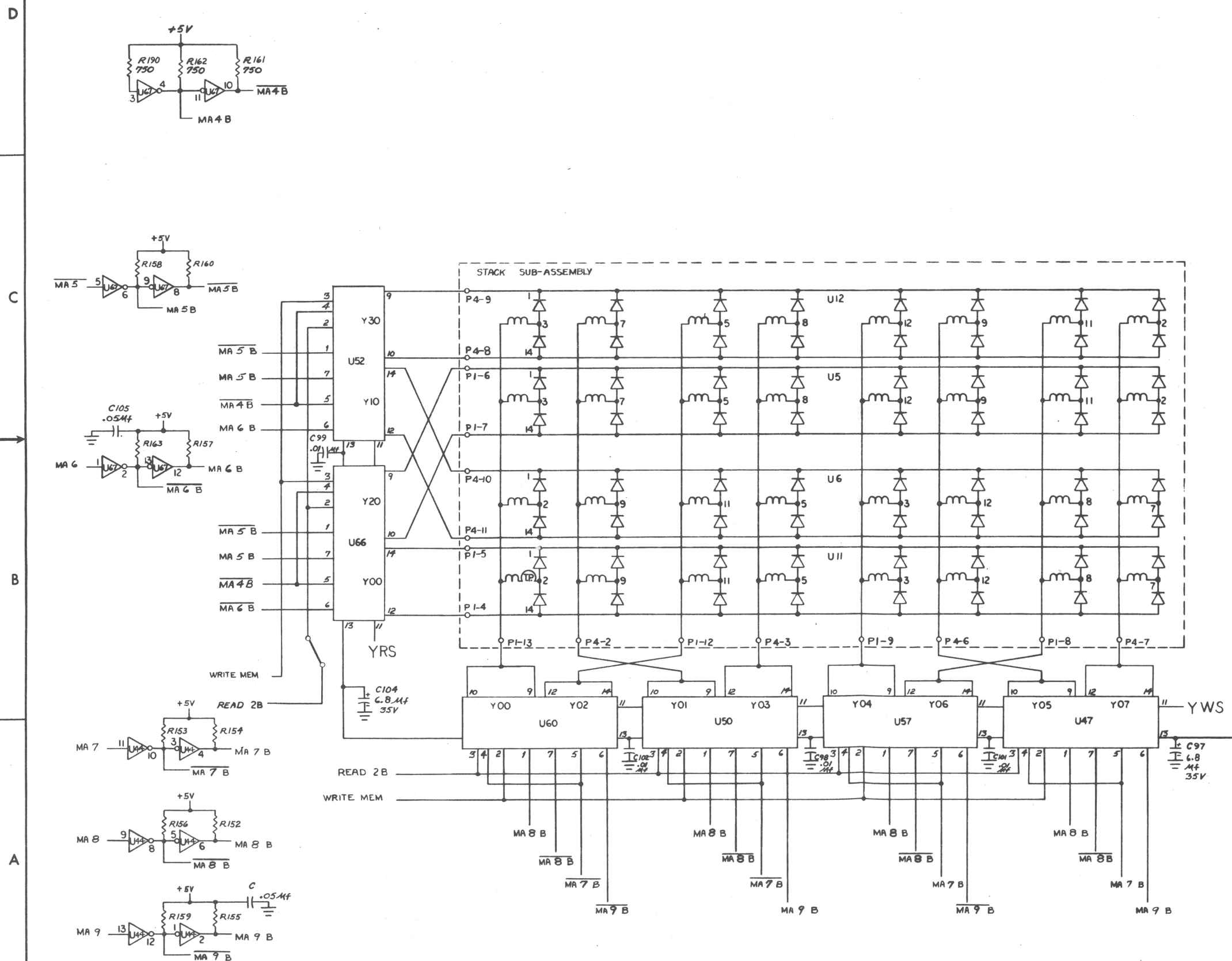
QTY.	DESCRIPTION	PART NO.

UNLESS OTHERWISE SPECIFIED— DIMENSIONS ARE IN INCHES TOLERANCES ON FRACTIONS DECIMALS ANGLES ± .005 ± .010 ± .015 PARTS TO BE FREE FROM BURRS BREAK ALL EDGES .010	DRAWN CHET JOHNSON 7/24/70 CHECKED ENGINEER APPROVED FIRST USED ON 107-000136	<b>DATA GENERAL CORPORATION</b> SOUTHBORO, MASSACHUSETTS 01772 TITLE <b>2K MEMORY X DRIVERS</b>
UNLESS OTHERWISE SPECIFIED— ALL MACH SURFACES	MATERIAL FINISH	SIZE CODE D 001 DRAWING NUMBER 000234 REV. 04

THIS DRAWING AND SPECIFICATIONS HEREIN, ARE THE PROPERTY OF DATA GENERAL CORPORATION AND SHALL NOT BE REPRODUCED OR COPIED OR USED IN WHOLE OR IN PART AS THE BASIS FOR MANUFACTURE OR SALE OF ITEMS WITHOUT WRITTEN PERMISSION.

REVISIONS				
REV.	DESCRIPTION	DRFTG.	APP. BY	DATE



NOTE:  
1. R151 #164 ARE NOMINAL VALUES AND MAY BE CHANGED AT TEST LEVEL.

NOTE: ALL CAPACITORS ARE IN MICROPARADS, AND ALL RESISTORS ARE IN OHMS, 1/4 WATT, WITH 5% TOLERANCE UNLESS OTHERWISE SPECIFIED.

QTY.	DESCRIPTION	PART NO.

UNLESS OTHERWISE SPECIFIED—DIMENSIONS ARE IN INCHES—TOLERANCES ON FRACTIONS DECIMALS ANGLES		DRAWN <b>CHET JOHNSON</b> 7/24/70		<b>DATA GENERAL CORPORATION</b>	
* JOK ± * PARTS TO BE FREE FROM BURRS BREAK ALL EDGES .010		CHECKED		SOUTHBORO, MASSACHUSETTS 01772	
UNLESS OTHERWISE SPECIFIED—ALL MACH SURFACES		ENGINEER		TITLE	
		APPROVED		2K MEMORY Y DRIVERS	
		FIRST USED ON			
		107-000136			
MATERIAL		SCALE		DRAWING NUMBER	
				000234	
FINISH		SIZE		REV.	
		D 001		04	