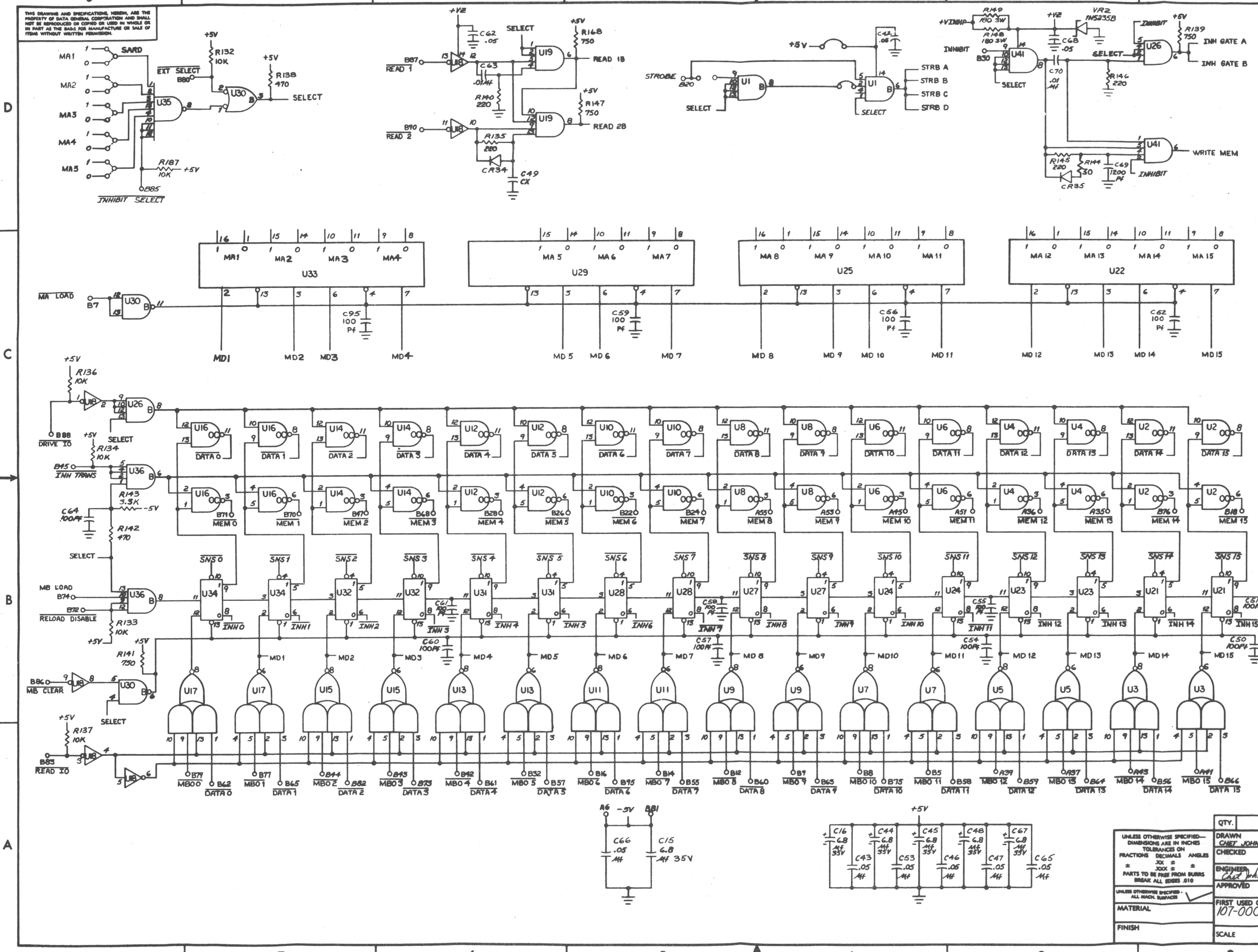


THIS DRAWING AND SPECIFICATIONS, HEREIN, ARE THE PROPERTY OF DATA GENERAL CORPORATION AND SHALL NOT BE REPRODUCED OR COPIED OR USED IN WHOLE OR IN PART AS THE BASIS FOR MANUFACTURE OR SALE OF ITEMS WITHOUT WRITTEN PERMISSION.

REVISIONS				
REV.	DESCRIPTION	DRFTG	APP. BY	DATE
01	ECO # 1057	R.W.C.		8/72
02	ECO # 1117	R.W.C.		10-3-72
03	ECO # 1259	R.W.C.		12-8-72
04	ECO # 1402	R.W.C.		4-18-73
05	ECO # 1526	R.W.C.		5-9-73



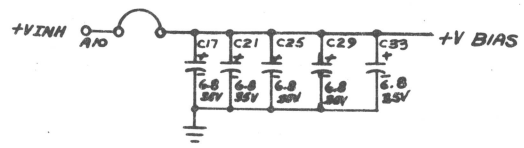
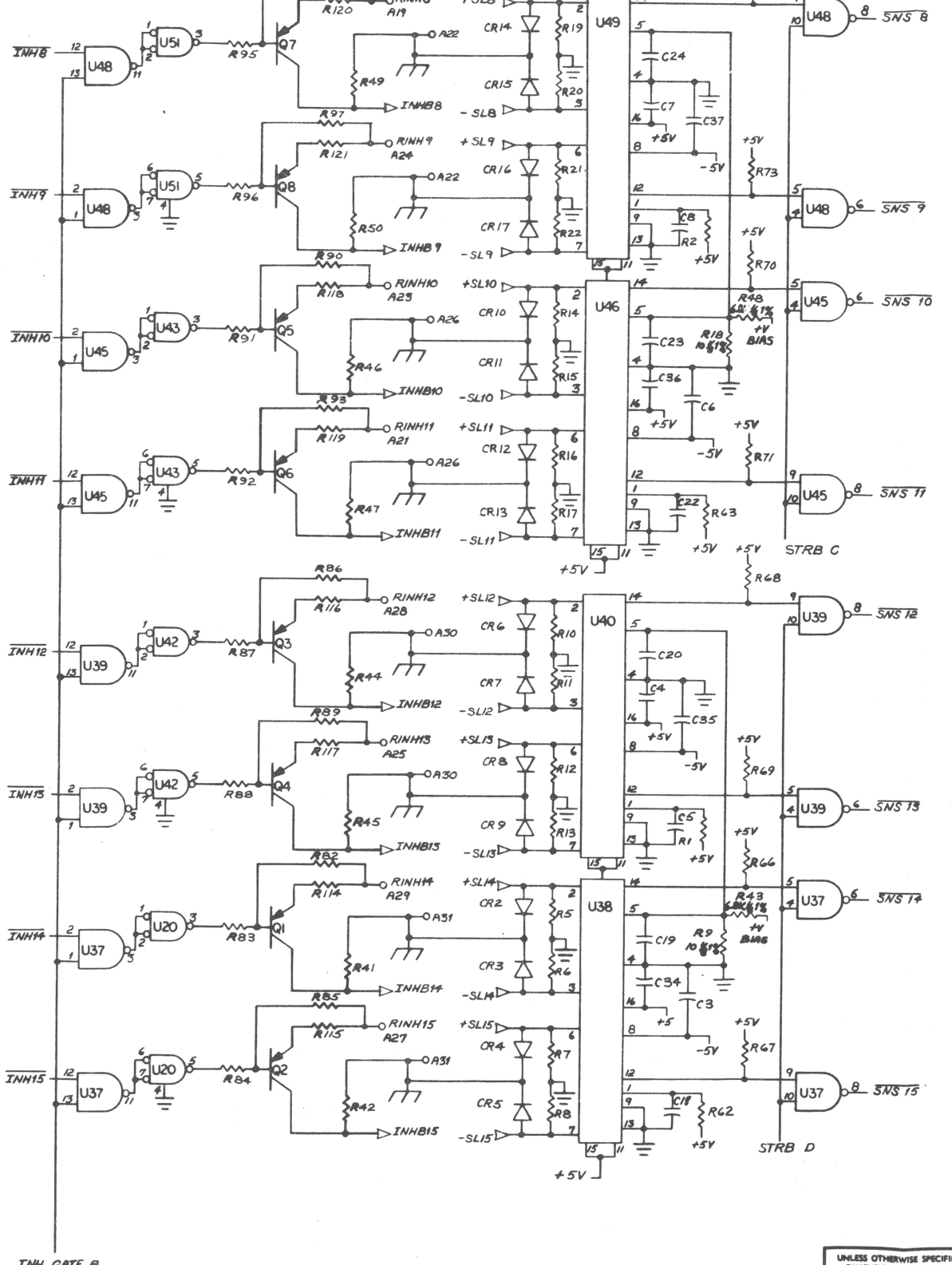
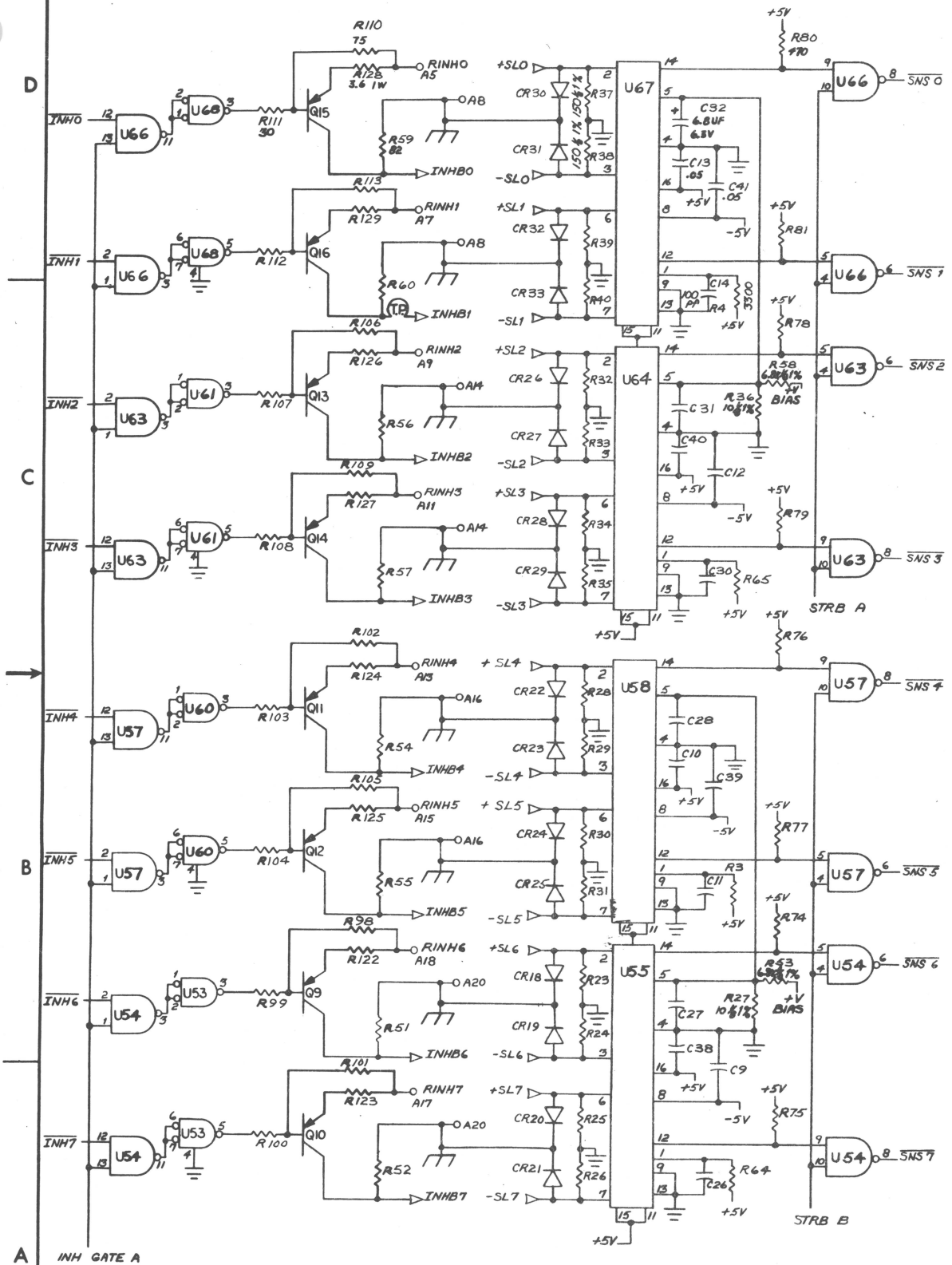
1210
1220

NOTE: ALL CAPACITORS ARE IN MICROFARADS, AND ALL RESISTORS ARE IN OHMS, 1/4 WATT, WITH 5% TOLERANCE UNLESS OTHERWISE SPECIFIED.

QTY.	DESCRIPTION	PART NO.
	DRAWN CHEY JOHNSON 8/21/70	
	CHECKED	
	UNLESS OTHERWISE SPECIFIED— DIMENSIONS ARE IN INCHES TOLERANCES ON FRACTIONS DECIMALS ANGLES = .005 .005 .005 = PARTS TO BE FREE FROM BURRS BREAK ALL EDGES .010	
	UNLESS OTHERWISE SPECIFIED— ALL MACH. SURFACES	
	APPROVED	
	FIRST USED ON 107-000135	
	MATERIAL	
	FINISH	
	SCALE	
	DATA GENERAL CORPORATION SOUTHBORO, MASSACHUSETTS 01772	
	TITLE 1K MEMORY MA & MB REGISTER & CONTROL	
	SIZE CODE D 001	DRAWING NUMBER 000232
		REV. 05

THIS DRAWING AND SPECIFICATIONS HEREIN ARE THE PROPERTY OF DATA GENERAL CORPORATION AND SHALL NOT BE REPRODUCED OR COPIED OR USED IN WHOLE OR IN PART AS THE BASIS FOR MANUFACTURE OR SALE OF ITEMS WITHOUT WRITTEN PERMISSION.

REVISIONS				
REV.	DESCRIPTION	DRFTG.	APP. BY	DATE

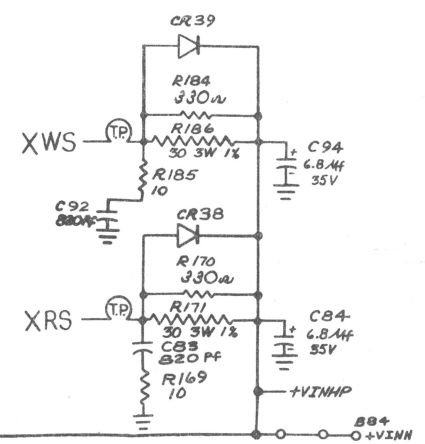
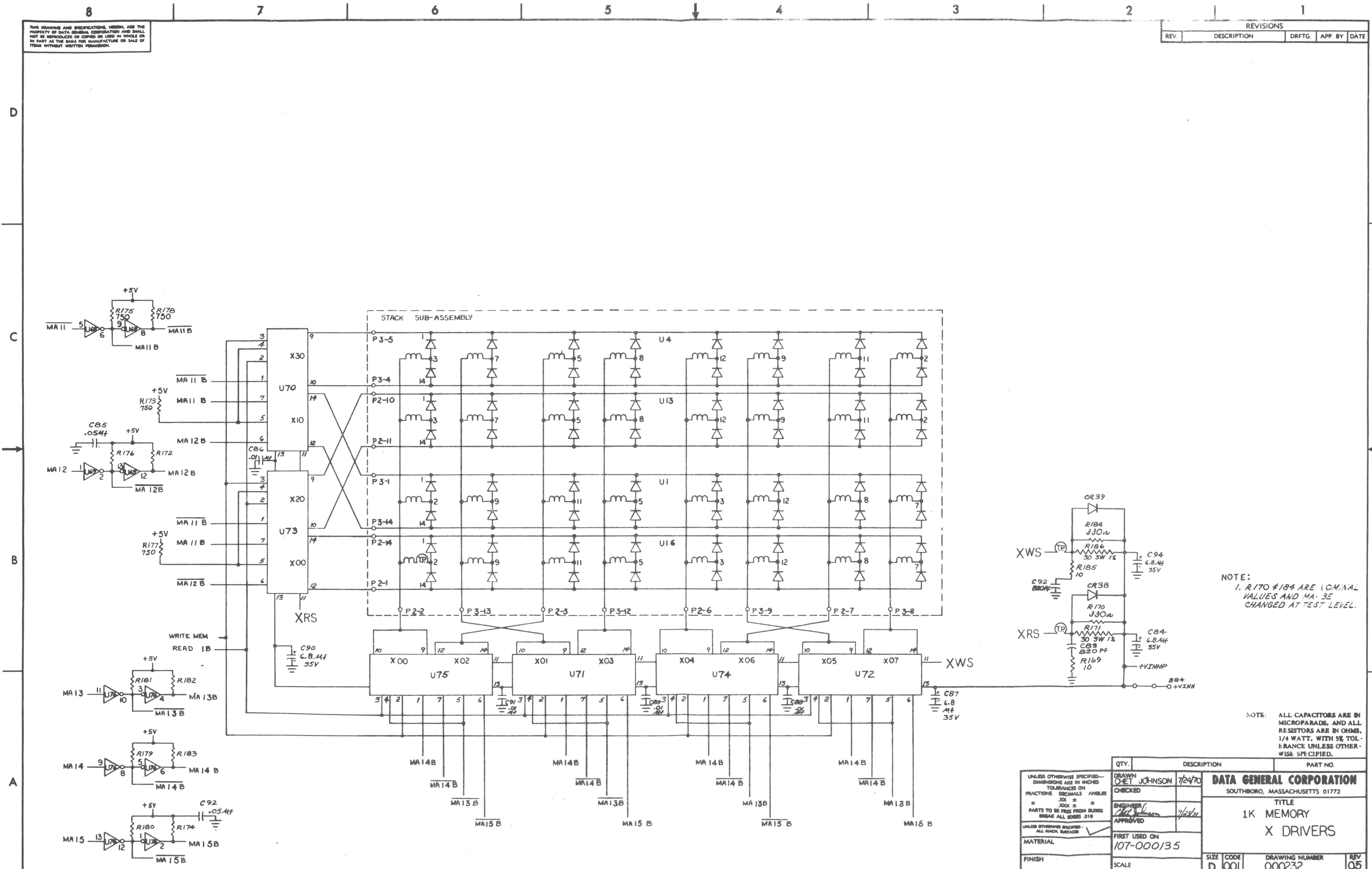


NOTE: ALL CAPACITORS ARE IN MICROFARADS, AND ALL RESISTORS ARE IN OHMS, 1/4 WATT, WITH 5% TOLERANCE UNLESS OTHERWISE SPECIFIED.
TRANSISTORS ARE 6G5022

UNLESS OTHERWISE SPECIFIED— DIMENSIONS ARE IN INCHES TOLERANCES ON FRACTIONS DECIMALS ANGLES X .001 .005 .010 .015 .020 .030 .040 .050 .060 .070 .080 .090 .100 .125 .150 .175 .200 .250 .300 .375 .450 .500 .625 .750 .875 1.000 1.250 1.500 1.750 2.000 2.500 3.000 3.750 4.500 5.000 6.250 7.500 8.750 10.000	QTY.	DESCRIPTION	PART NO.
DRAWN CHET JOHNSON 7/12/71	CHECKED		
ENGINEER / APPROVED	FIRST USED ON 107-000135	DATA GENERAL CORPORATION SOUTHBORO, MASSACHUSETTS 01772 TITLE 1K MEMORY SENSE & INHIBIT	
MATERIAL	SCALE	SIZE D 001	DRAWING NUMBER 000232
FINISH			REV. 05

THIS DRAWING AND SPECIFICATIONS, HEREIN, ARE THE PROPERTY OF DATA GENERAL CORPORATION AND SHALL NOT BE REPRODUCED OR COPIED OR USED IN WHOLE OR IN PART AS THE BASIS FOR MANUFACTURE OR SALE OF ITEMS WITHOUT WRITTEN PERMISSION.

REVISIONS				
REV.	DESCRIPTION	DRFTG.	APP. BY	DATE



NOTE:
1. R170 & R184 ARE NOMINAL VALUES AND MAY BE CHANGED AT TEST LEVEL.

NOTE: ALL CAPACITORS ARE IN MICROFARADS, AND ALL RESISTORS ARE IN OHMS, 1/4 WATT, WITH 5% TOLERANCE UNLESS OTHERWISE SPECIFIED.

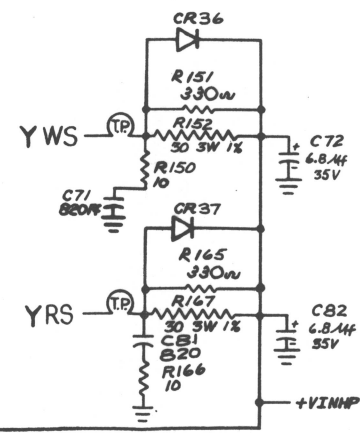
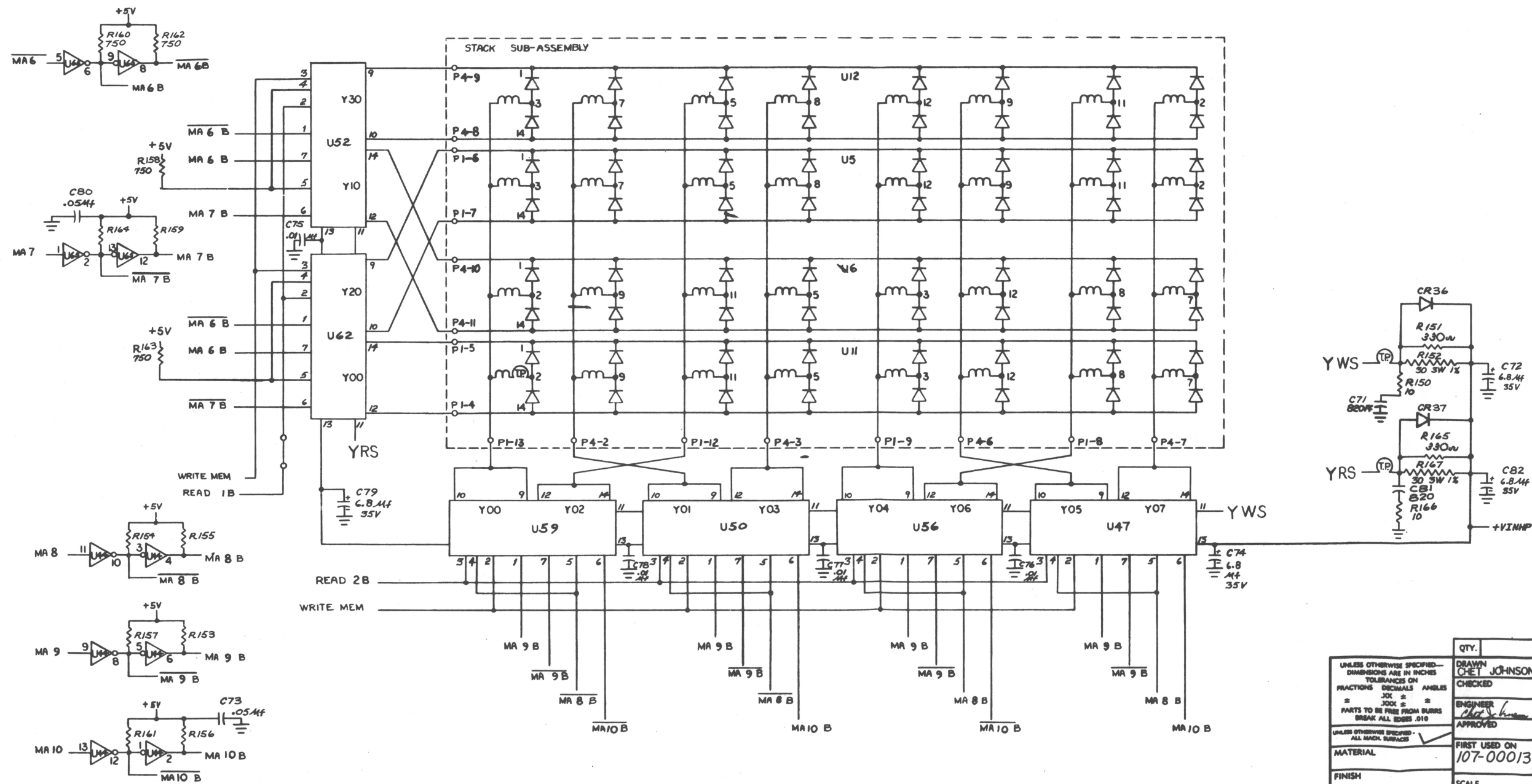
QTY.	DESCRIPTION	PART NO.
UNLESS OTHERWISE SPECIFIED—DIMENSIONS ARE IN INCHES—TOLERANCES ON FRACTIONS DECIMALS ANGLES		
DRAWN	CHESTER JOHNSON	7/24/70
CHECKED		
ENGINEER	Chet Johnson	7/24/70
APPROVED		
UNLESS OTHERWISE SPECIFIED—ALL MACH. SURFACES		
MATERIAL		
FIRST USED ON	107-000135	
FINISH		
SCALE		
DRAWING NUMBER		REV
000232		05
SIZE	CODE	D 001

DATA GENERAL CORPORATION
SOUTHBORO, MASSACHUSETTS 01772

TITLE
**1K MEMORY
X DRIVERS**

THIS DRAWING AND SPECIFICATIONS HEREIN ARE THE PROPERTY OF DATA GENERAL CORPORATION AND SHALL NOT BE REPRODUCED OR COPIED OR USED IN WHOLE OR IN PART AS THE BASIS FOR MANUFACTURE OR SALE OF ITEMS WITHOUT WRITTEN PERMISSION.

REVISIONS			
REV.	DESCRIPTION	DRFTG.	APP. BY DATE



NOTE:
1. R151 & 165 ARE NOM. VAL. VALUES AND MAY BE CHANGED AT TEST LEVEL.

NOTE: ALL CAPACITORS ARE IN MICROPARADS, AND ALL RESISTORS ARE IN OHMS, 1/4 WATT, WITH 5% TOLERANCE UNLESS OTHERWISE SPECIFIED.

QTY.	DESCRIPTION	PART NO.

UNLESS OTHERWISE SPECIFIED—DIMENSIONS ARE IN INCHES TOLERANCES ON FRACTIONS DECIMALS ANGLES * JOK ± * PARTS TO BE FREE FROM BURRS BREAK ALL EDGES .010 UNLESS OTHERWISE SPECIFIED—ALL MACH. SURFACES	DRAWN: CHET JOHNSON 7/24/70 CHECKED: [Signature] ENGINEER: [Signature] 7/24/70 APPROVED: [Signature]	DATA GENERAL CORPORATION SOUTHBORO, MASSACHUSETTS 01772 TITLE: 1K MEMORY Y DRIVERS
MATERIAL	FIRST USED ON 107-000135	8116
FINISH	SCALE	SIZE CODE D 001
		DRAWING NUMBER 000232
		REV 05