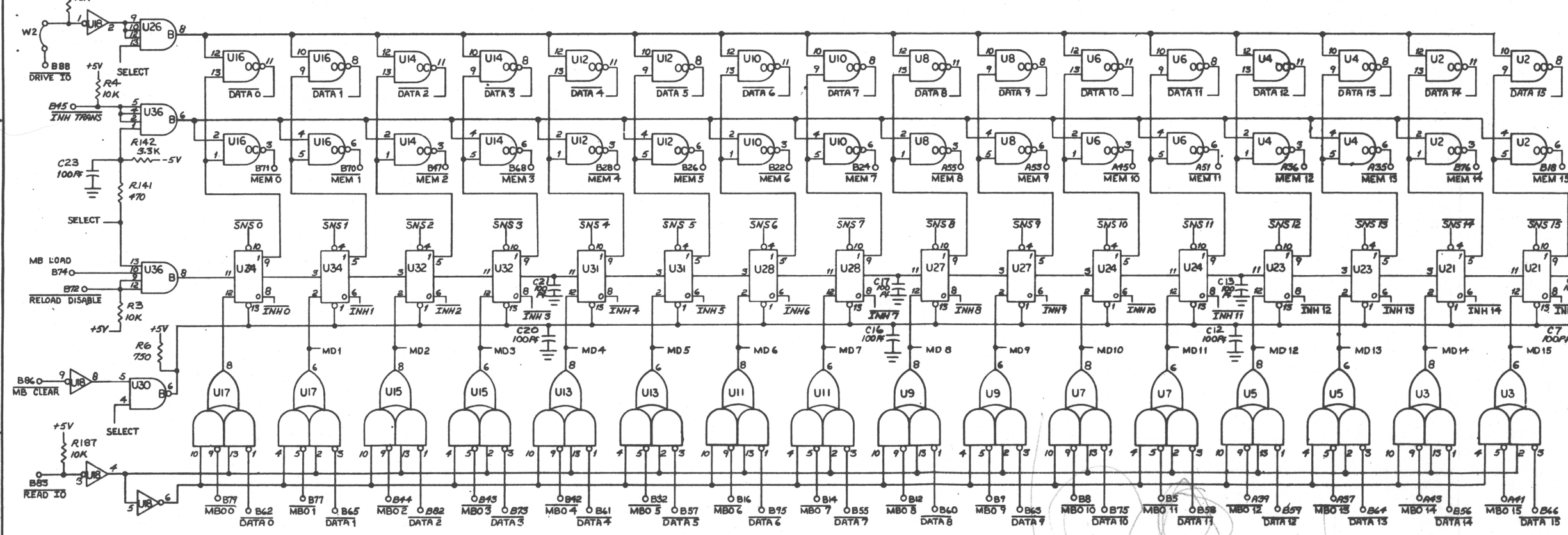
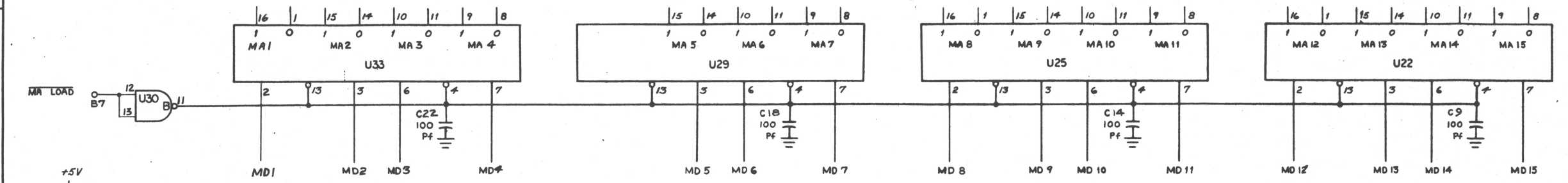
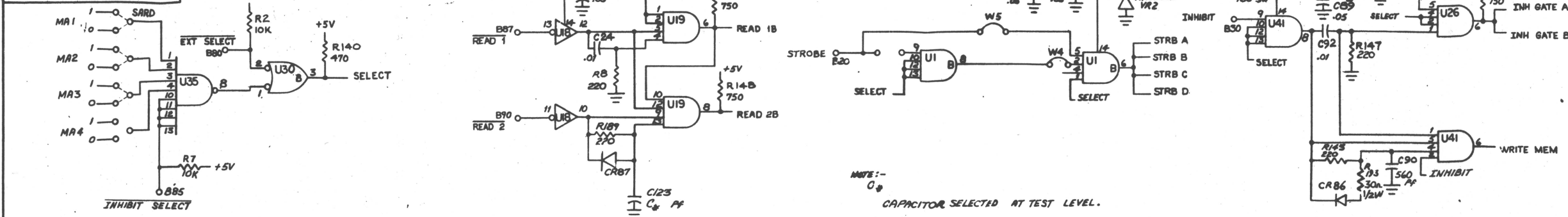
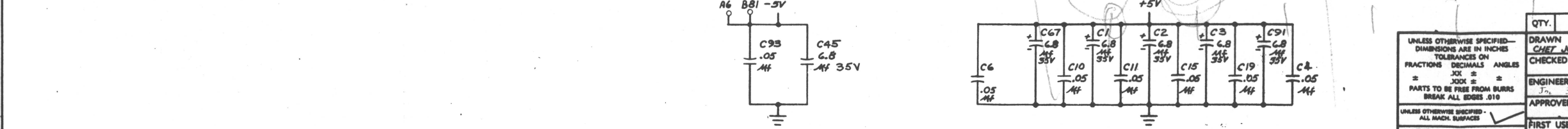


THIS DRAWING AND SPECIFICATIONS, HEREIN, ARE THE PROPERTY OF DATA GENERAL CORPORATION AND SHALL NOT BE REPRODUCED OR COPIED OR USED IN WHOLE OR IN PART AS THE BASIS FOR MANUFACTURE OR SALE OF ITEMS WITHOUT WRITTEN PERMISSION.

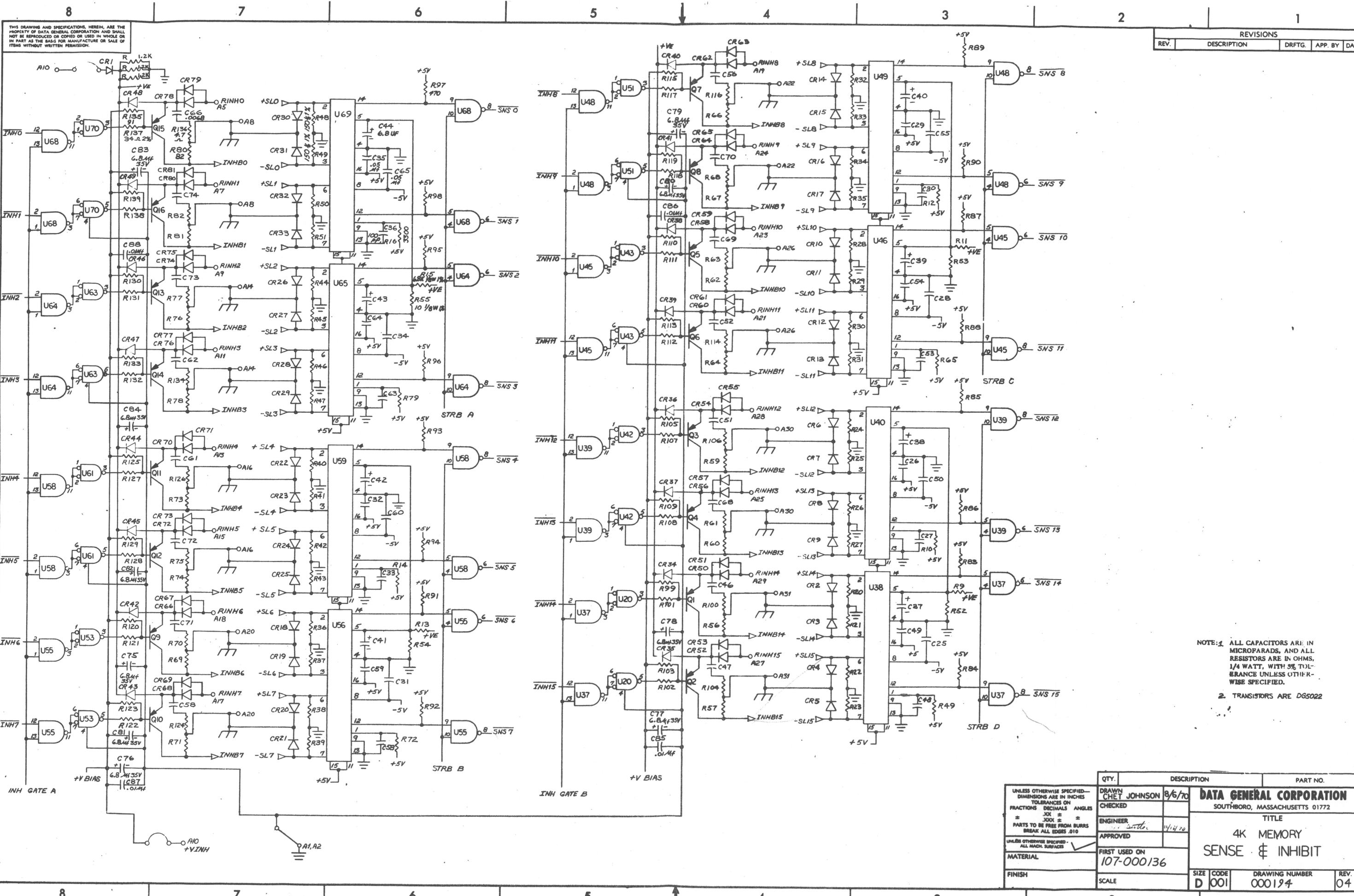
REVISIONS				
REV.	DESCRIPTION	DRFTG.	APP. BY	DATE
01	ECO # 1117	R.W.C.		10-3-72
02	ECO # 1253	R.W.C.		12-5-72
03	ECO # 1402	R.W.C.		4-7-73
04	ECO # 1526	R.W.C.		8-4-73



1200
51200 8103



QTY.	DESCRIPTION	PART NO.
	DATA GENERAL CORPORATION	
	SOUTHBORO, MASSACHUSETTS 01772	
	TITLE	
	4K MEMORY	
	MA & MB REGISTER & CONTROL	
	SIZE CODE	D 001
	DRAWING NUMBER	000194
	REV.	04



THIS DRAWING AND SPECIFICATIONS, HEREIN, ARE THE PROPERTY OF DATA GENERAL CORPORATION AND SHALL NOT BE REPRODUCED OR COPIED OR USED IN WHOLE OR IN PART AS THE BASIS FOR MANUFACTURE OR SALE OF ITEMS WITHOUT WRITTEN PERMISSION.

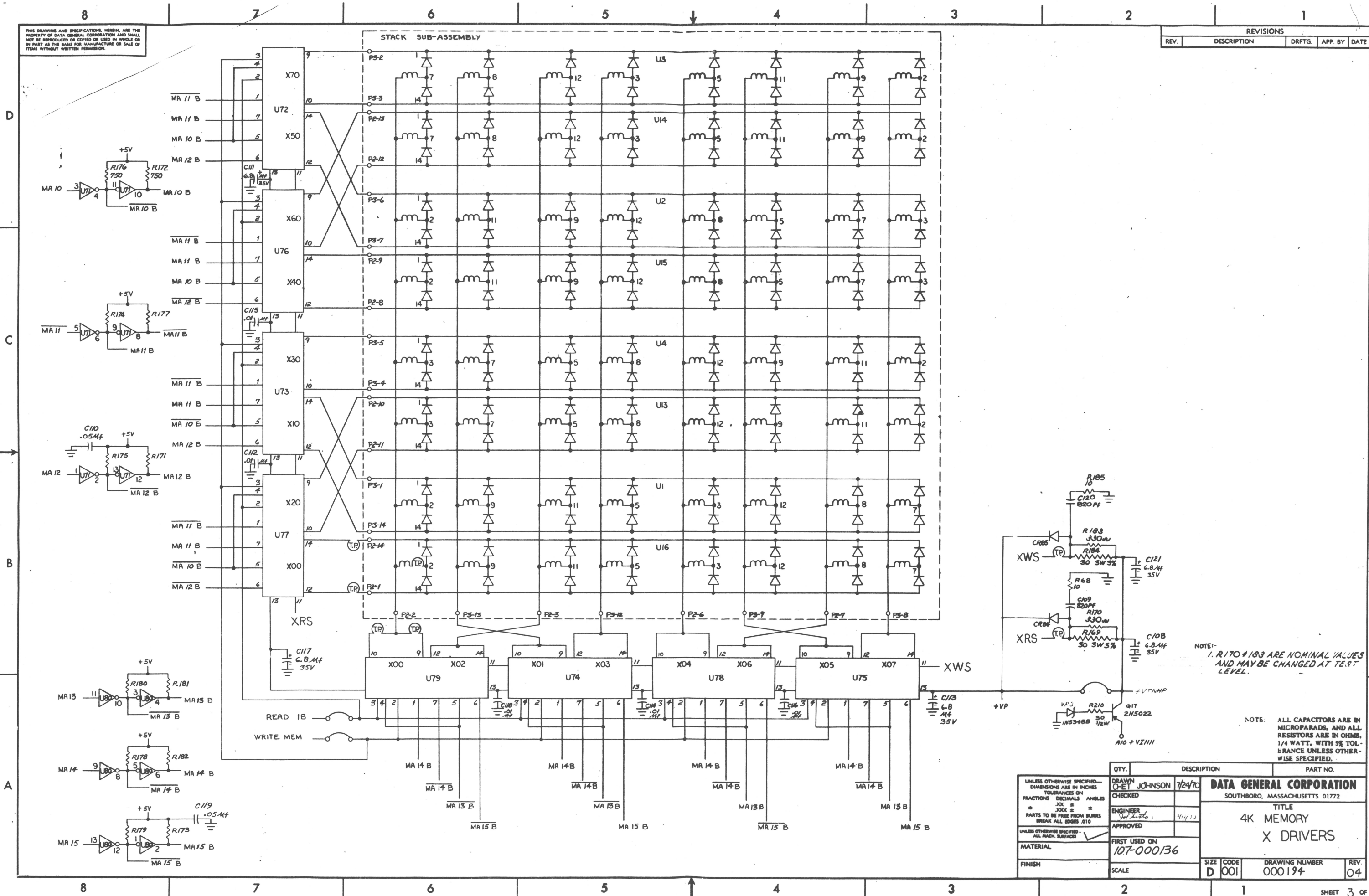
REVISIONS				
REV.	DESCRIPTION	DRFTG.	APP. BY	DATE

NOTE: 1. ALL CAPACITORS ARE IN MICROFARADS, AND ALL RESISTORS ARE IN OHMS. 1/4 WATT, WITH 5% TOLERANCE UNLESS OTHERWISE SPECIFIED.
 2. TRANSISTORS ARE DG5022

QTY.	DESCRIPTION	PART NO.
UNLESS OTHERWISE SPECIFIED—DIMENSIONS ARE IN INCHES FRACTIONS DECIMALS ANGLES	DRAWN CHET JOHNSON 8/6/70	DATA GENERAL CORPORATION
CHECKED		SOUTHBORO, MASSACHUSETTS 01772
UNLESS OTHERWISE SPECIFIED—ALL MACH. SURFACES	ENGINEER <i>Stella</i> 11/11/70	TITLE
MATERIAL	APPROVED	4K MEMORY SENSE & INHIBIT
FINISH	FIRST USED ON 107-000136	SIZE CODE D 001
	SCALE	DRAWING NUMBER 000194
		REV. 04

THIS DRAWING AND SPECIFICATIONS, HEREIN, ARE THE PROPERTY OF DATA GENERAL CORPORATION AND SHALL NOT BE REPRODUCED OR COPIED OR USED IN WHOLE OR IN PART AS THE BASIS FOR MANUFACTURE OR SALE OF ITEMS WITHOUT WRITTEN PERMISSION.

REVISIONS			
REV.	DESCRIPTION	DRFTG.	APP. BY DATE



NOTE: 1. R170 #183 ARE NOMINAL VALUES AND MAY BE CHANGED AT TEST LEVEL.

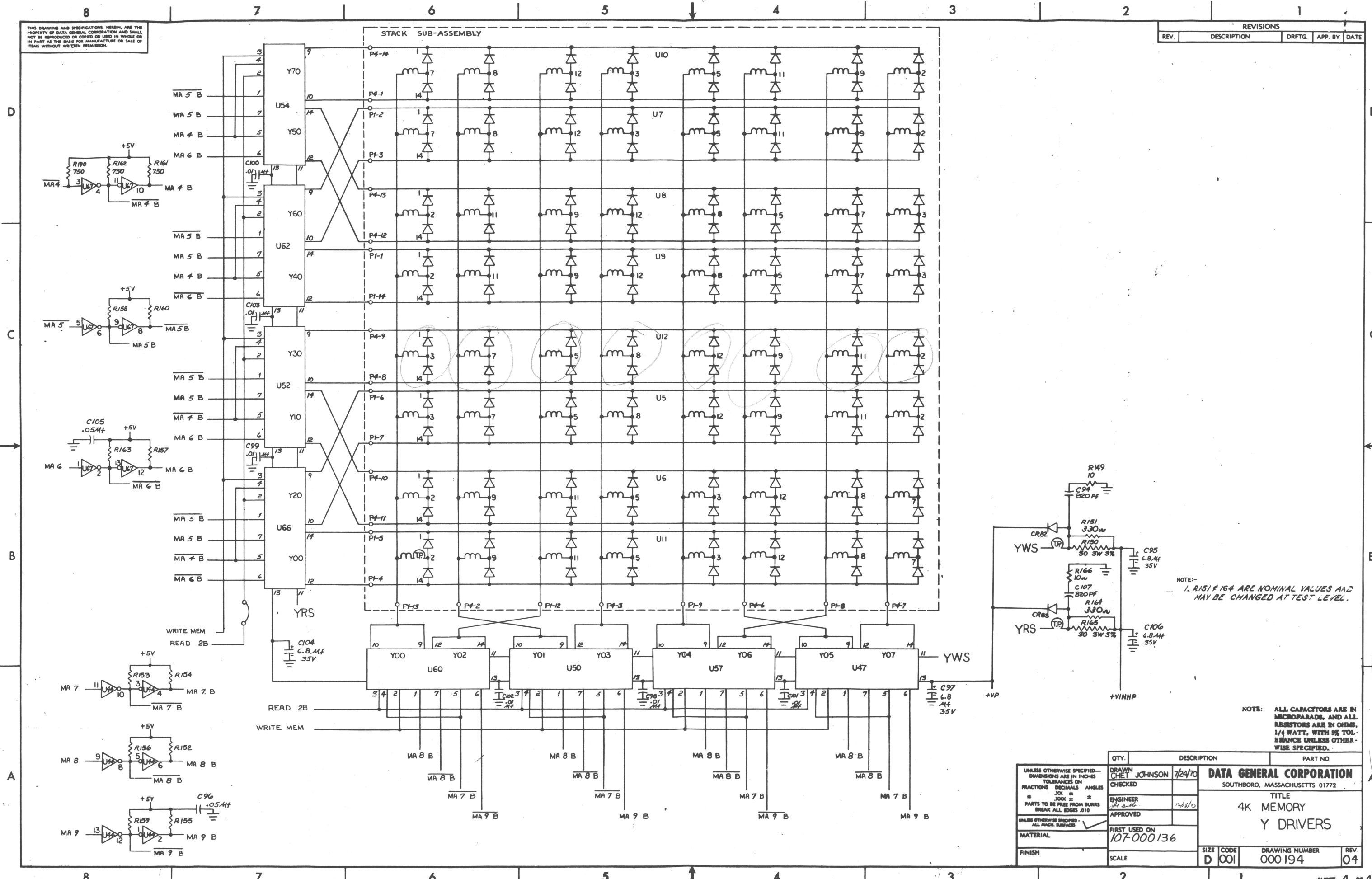
NOTE: ALL CAPACITORS ARE IN MICROFARADS, AND ALL RESISTORS ARE IN OHMS, 1/4 WATT, WITH 5% TOLERANCE UNLESS OTHERWISE SPECIFIED.

QTY.	DESCRIPTION	PART NO.

UNLESS OTHERWISE SPECIFIED— DIMENSIONS ARE IN INCHES FRACTIONS ON DECIMALS ON ANGLES XOX = PARTS TO BE FREE FROM BURRS BREAK ALL EDGES .010	UNLESS OTHERWISE SPECIFIED— ALL MACH. SURFACES	DATA GENERAL CORPORATION SOUTHBORO, MASSACHUSETTS 01772 TITLE 4K MEMORY X DRIVERS
DRAWN: CHET JOHNSON 7/24/70 CHECKED: [Signature] ENGINEER: [Signature] 4/14/72 APPROVED: [Signature]	FIRST USED ON 107-000/36	SIZE CODE: D 001 DRAWING NUMBER: 000194 REV. 04

THIS DRAWING AND SPECIFICATIONS, HEREIN, ARE THE PROPERTY OF DATA GENERAL CORPORATION AND SHALL NOT BE REPRODUCED OR COPIED OR USED IN WHOLE OR IN PART AS THE BASIS FOR MANUFACTURE OR SALE OF ITEMS WITHOUT WRITTEN PERMISSION.

REVISIONS				
REV.	DESCRIPTION	DRFTG.	APP. BY	DATE



NOTE: 1. R151 & R164 ARE NOMINAL VALUES AND MAY BE CHANGED AT TEST LEVEL.

NOTE: ALL CAPACITORS ARE IN MICROFARADS, AND ALL RESISTORS ARE IN OHMS, 1/4 WATT, WITH 5% TOLERANCE UNLESS OTHERWISE SPECIFIED.

QTY.	DESCRIPTION	PART NO.

UNLESS OTHERWISE SPECIFIED - DIMENSIONS ARE IN INCHES	DRAWN CHET JOHNSON 7/24/70	DATA GENERAL CORPORATION SOUTHBORO, MASSACHUSETTS 01772
FRACTIONS DECIMALS ANGLES X.X ± X.XX ± X.XXX ±	CHECKED 	
PARTS TO BE FREE FROM BURRS BREAK ALL EDGES .010	ENGINEER 	TITLE 4K MEMORY Y DRIVERS
UNLESS OTHERWISE SPECIFIED - ALL MACH. SURFACES	APPROVED 	
MATERIAL	FIRST USED ON 107-000/36	
FINISH	SCALE	SIZE CODE D 001
		DRAWING NUMBER 000194
		REV 04